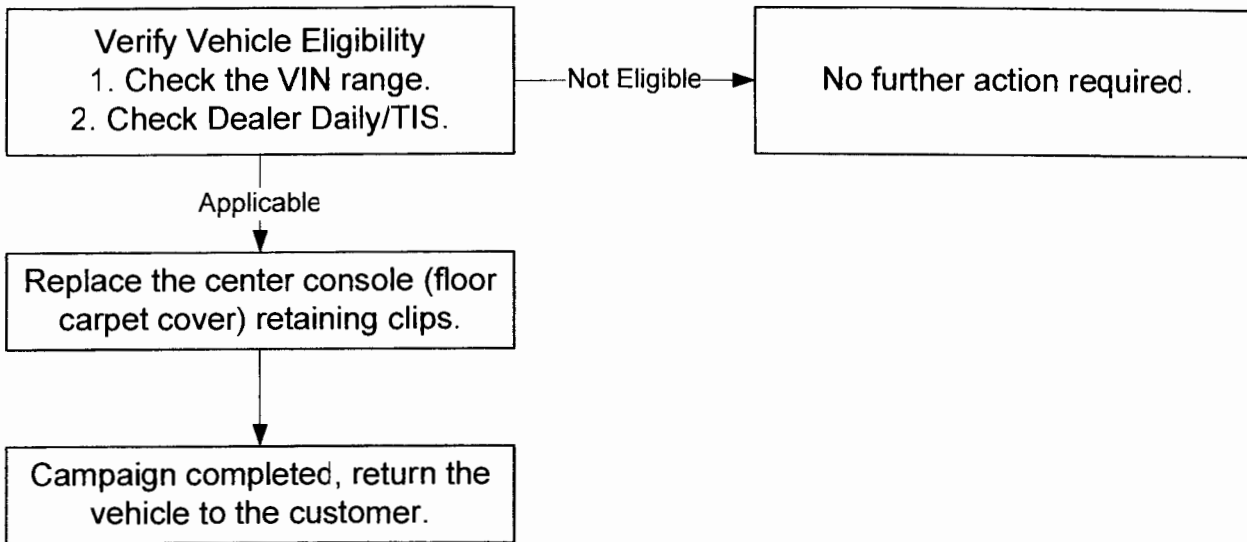


TECHNICAL INSTRUCTIONS  
FOR  
SPECIAL SERVICE CAMPAIGN 6LD  
CENTER CONSOLE (FLOOR CARPET COVER)  
RETAINING CLIP REPLACEMENT  
FOR  
2004 THROUGH 2005 MODEL YEAR RX 330 AND  
EARLY 2006 MODEL YEAR RX 400h

## I. OPERATION FLOW CHART



## II. IDENTIFICATION OF AFFECTED VEHICLES

### A. AFFECTED VIN RANGE

VEHICLE	WMI	MY	VIN Range	
			VDS	Ranges
RX 330	JTJ	2004	GA31U	0001010-0044873
			HA31U	0001045-0074277
		2005	GA31U	0044429-0058102
			HA31U	0074282-0095401
RX 400h		2006	GW31U	0001007-0001009
			HW31U	0001106-0012403

#### NOTE:

Not all vehicles in the VIN range are affected. As always, consult Dealer Daily/TIS to confirm VIN eligibility and to assure the SSC is applicable. This will verify the vehicle is affected and has not already been completed prior to dealer shipment or by another dealer. TMS warranty will not reimburse dealers for repairs conducted on vehicles that are not affected or were completed by another dealer.

## III. PREPARATION

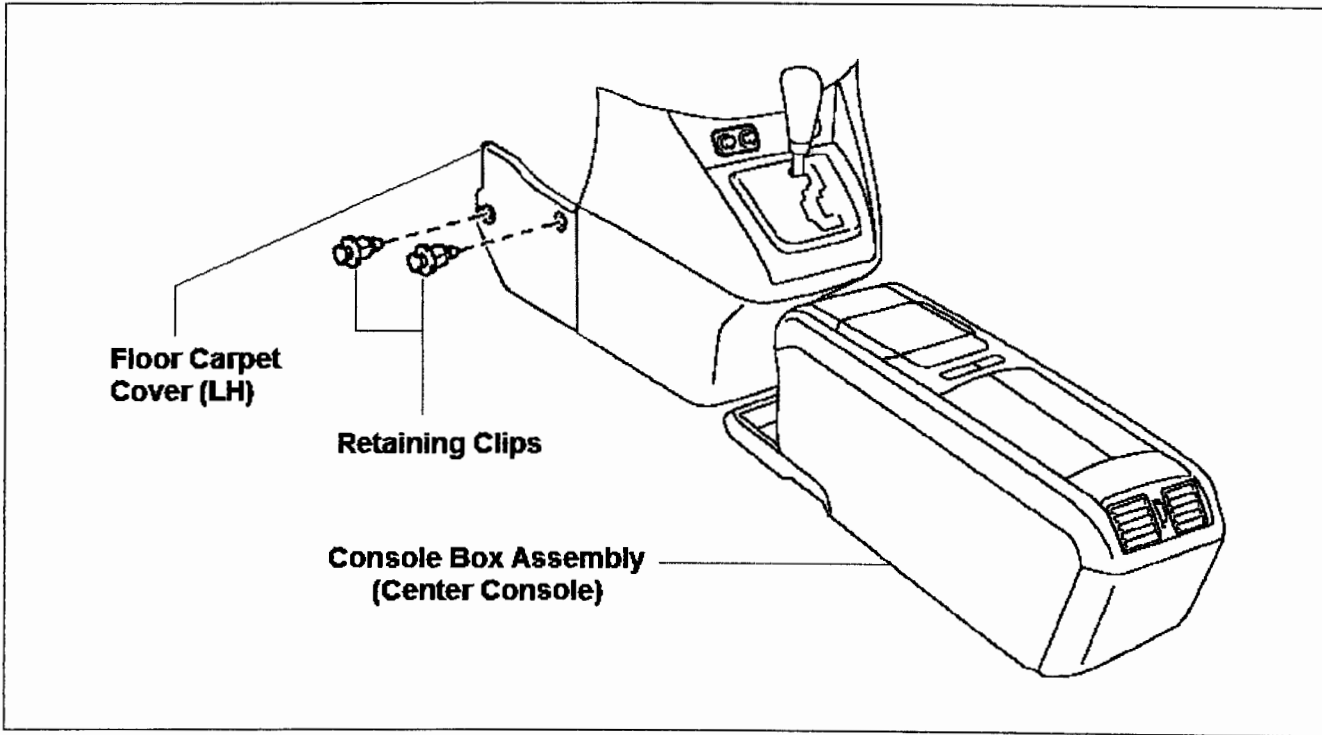
### A. PARTS

Part Number	Part Description	Quantity
04006-26148	Package of 2 Retaining Clips	1

## B. TOOLS

- Standard hand tools

## IV. COMPONENTS

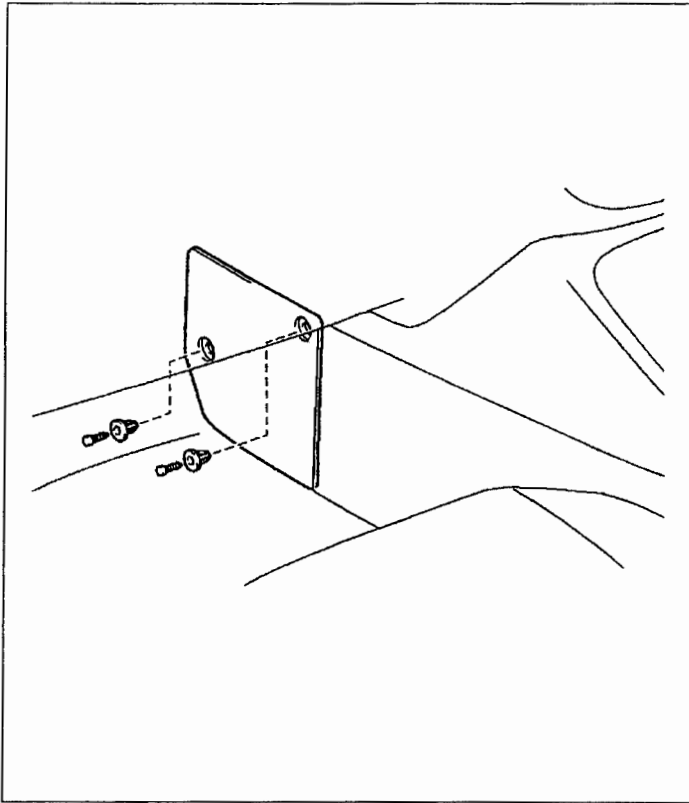


## V. BACKGROUND

In certain 2004 through 2005 model year Japan produced RX 330 and early 2006 model year RX 400h vehicles, due to improper installation, the two Retaining Clips for the driver's side forward Center Console (Floor Carpet Cover) can become loose. If both clips separate from the Floor Carpet Cover, the cover may lean toward the accelerator pedal, causing interference with the accelerator pedal rod.

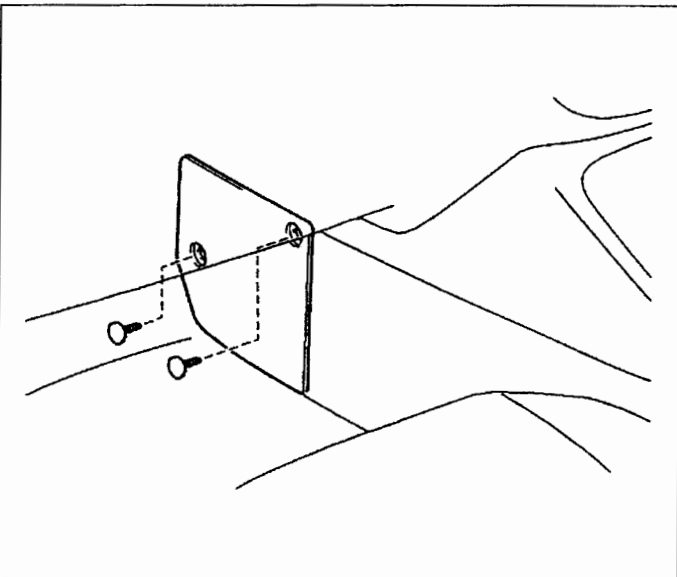
## VI. WORK PROCEDURE

### A. REPLACE THE FLOOR CARPET COVER RETAINING CLIPS



#### 1. REMOVE EXISTING CLIPS

- a) REMOVE, *DESTROY*, AND *DISCARD* THE 2 CLIPS.



#### 2. INSTALL NEW CLIPS

- a) INSTALL THE 2 *NEW* CLIPS.
- b) MAKE SURE THE 2 *NEW* CLIPS ARE FASTENED CORRECTLY AND FULLY INSERTED BY PRESSING ON THEM FIRMLY.

## VII. RECALLED PARTS DISPOSAL

As required by Federal Regulations, please make sure all recalled parts (original parts) removed from the vehicle are disposed of in a manner in which they will not be reused.