

TECHNICAL INSTRUCTIONS

FOR

SPECIAL SERVICE CAMPAIGN 60F

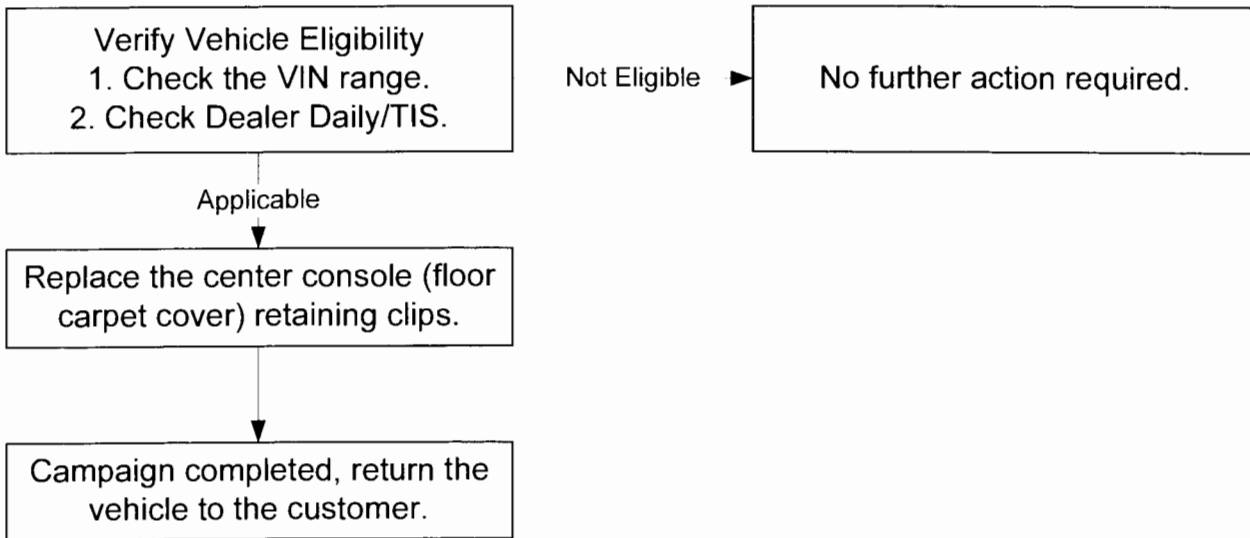
CENTER CONSOLE (FLOOR CARPET COVER)

RETAINING CLIP REPLACEMENT

FOR

2004 THROUGH 2005 HIGHLANDER AND
EARLY 2006 HIGHLANDER HV

I. OPERATION FLOW CHART



II. IDENTIFICATION OF AFFECTED VEHICLES

A. AFFECTED VIN RANGE

Model	Year	VIN Range	
		VDS	Ranges
Highlander	2004	DD21A	0073058 – 0105659
		DP21A	0001005 – 0043214
		ED21A	0025894 – 0031832
		EP21A	0001045 – 0067233
		GD21A	0073656 – 0105684
		GP21A	0001006 – 0043210
		HD21A	0025363 – 0033057
	2005	DD21A	0105687 – 0127025
		DP21A	0043215 – 0083482
		ED21A	0033309 – 0035859
		EP21A	0067234 – 0125400
		GD21A	0105182 – 0127033
		GP21A	0042673 – 0083483
		HD21A	0033060 – 0039000
Highlander Hybrid	2006	DW21A	0001013 – 0002880
		EW21A	0001052 – 0004167
		GW21A	0001541 – 0002176
		HW21A	0001275 – 0003693

NOTE:

Not all vehicles in the VIN range are affected. As always, consult Dealer Daily/TIS to confirm VIN eligibility and to assure the SSC is applicable. This will verify the vehicle is affected and has not already been completed prior to dealer shipment or by another dealer. TMS warranty will not reimburse dealers for repairs conducted on vehicles that are not affected or were completed by another dealer.

III. PREPARATION

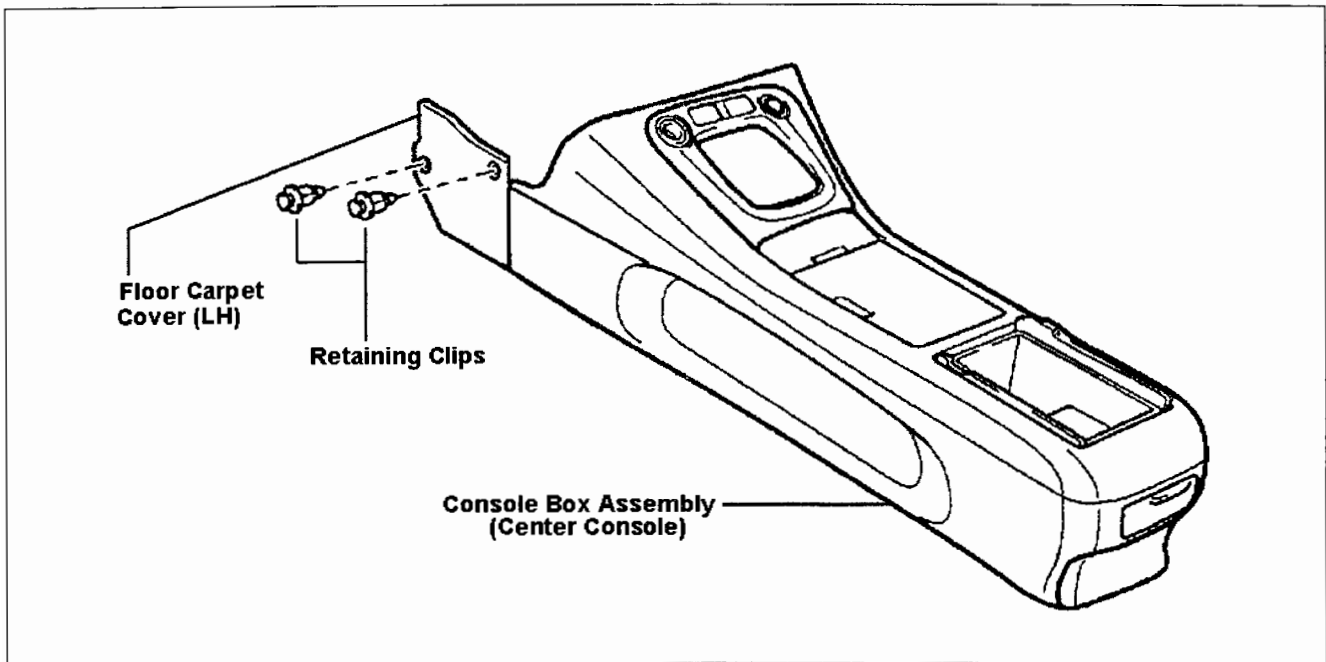
A. PARTS

Part Number	Part Description	Quantity
04006-26148	Package of 2 Retaining Clips	1

B. TOOLS

- Standard hand tools

IV. COMPONENTS

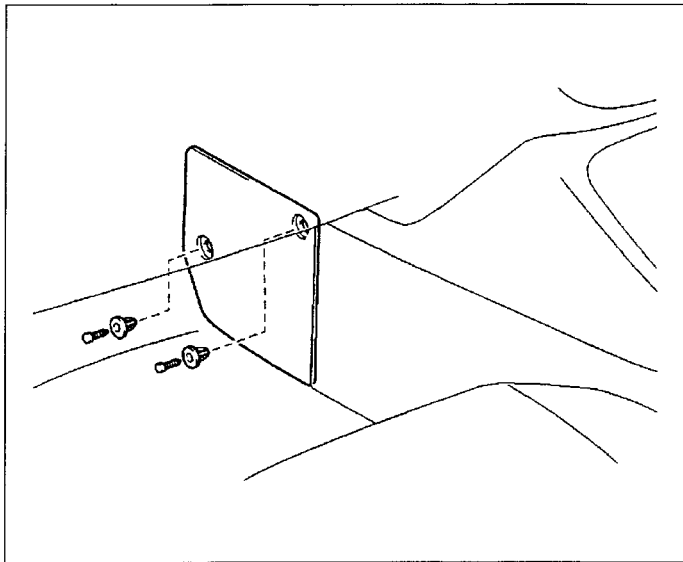


V. BACKGROUND

In certain 2004 through 2005 model year Highlander and early 2006 model year Highlander Hybrid (HV) vehicles, due to improper installation, the two Retaining Clips for the driver's side forward Center Console (Floor Carpet Cover) can become loose. If both clips separate from the Floor Carpet Cover, the cover may lean toward the accelerator pedal, causing interference with the accelerator pedal rod.

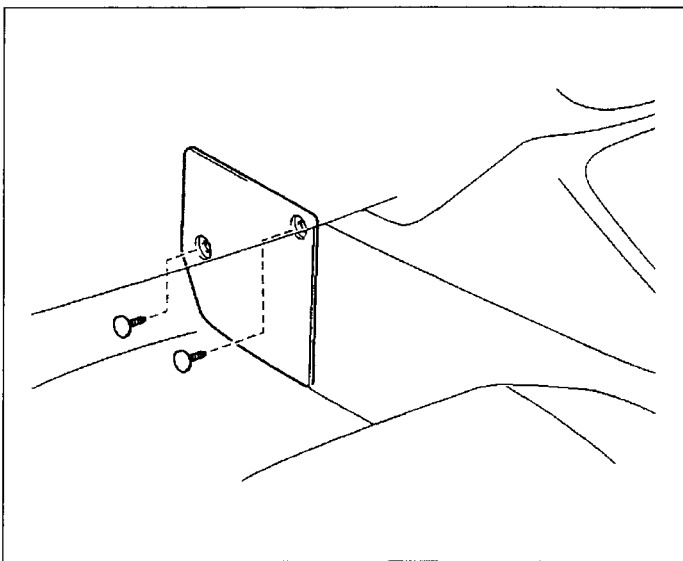
VI. WORK PROCEDURE

A. REPLACE THE FLOOR CARPET COVER RETAINING CLIPS



1. REMOVE THE CLIPS

- a) Remove, **destroy** and **discard** the 2 clips.



2. INSTALL THE NEW CLIPS

- a) Install the 2 **NEW** clips.
- b) Make sure the 2 **NEW** clips are fastened correctly and fully installed by pressing on them firmly.

VII. RECALLED PARTS DISPOSAL

As required by Federal Regulations, please make sure all recalled parts (original parts) removed from the vehicle are disposed of in a manner in which they will not be reused.