

# DAIMLER



Daimler Trucks North America  
Nasser Zamani  
Manager  
Compliance and Regulatory Affairs

March 28, 2008

Dan Smith  
Associate Administrator for Vehicle Safety  
National Highway Traffic Safety Administration  
1200 New Jersey Avenue S.E.  
Washington D.C. 20590

**Re: Defect Information Report – Supplemental Report No. 5  
06V-190, FL-476 (phase 2), Tyco Main Cab PDM**

Mr. Smith

In accordance with Part 573 of Title 49 of the Code of Federal Regulations, Daimler Trucks North America LLC herewith submits supplemental defect information and copies of documents to be distributed to dealers and purchasers.

Owner and dealer notification has been completed for FL-476B which is phase two of recall 06V-190, FL-476. Owner notification for FL-476A was released in December 2006 for specific Freightliner Century ST, Coronado, and Columbia truck models. FL-476B has been released for Freightliner Argosy. New parts were required to be developed to fit the Argosy.

- (c)(3) Total number of vehicles potentially affected, FL-476 total: 60,163**
- (c) (8) Communications sent to dealers, FL-476B: posted January 26, 2008  
Communications sent to owners, FL-476B: mailed January 31, 2008**
- (c) (9) Copies of Communications sent to owners and dealers are attached.**

Please contact me if you have any questions.

Sincerely yours,

  
Nasser Zamani

Cc: Michael Mason, CAL-OSHA

Enclosure

Certified Mail# 7003 2260 0001 3403 7033

A Daimler Company

Daimler Trucks North America LLC  
4747 N. Channel Avenue  
Portland OR 97217-7699  
503-745-6910 Phone  
503-745-5544 Fax  
Nasser.Zamani@Freightliner.com

## Subject: PDM Covers

**Models Affected: Specific Freightliner Columbia, Coronado, Century Class S/T, and Argosy vehicles, manufactured between July 16, 2004, and October 17, 2005.**

### General Information

Freightliner LLC, on behalf of its Freightliner Trucks Division, has decided that a defect that relates to motor vehicle safety exists on the vehicles mentioned above.

There are approximately 66,000 vehicles involved in this campaign.

Certain vehicle cabs may leak causing water to enter the Power Distribution Module (PDM). If water enters the PDM, electrical damage may occur resulting in possible heat damage to the vehicle and fire.

A protective shield will be installed over the PDM. The PDM will be inspected and replaced if water damage is found.

Less than 25% of vehicles are expected to require replacement of the PDM.

**REVISIONS:** Approximately 700 left hand drive Argosy vehicles have been added to this recall. A new PDM drip shield assembly kit (25-FL476-002) has been added to the Recall for these vehicles.

### Additional Repairs

Dealers must complete all outstanding recall and field service campaigns prior to the sale or delivery of a vehicle. A Dealer will be liable for any progressive damage that results from its failure to complete campaigns before sale or delivery of a vehicle.

Owners may be liable for any progressive damage that results from its failure to complete campaigns within a reasonable time after receiving notification.

### Work Instructions

Please refer to the attached work instructions. Prior to performing the campaign, check the vehicle for a completion sticker (Form WAR260).

### Replacement Parts

Replacement kits are now available and can be obtained by ordering the kit number(s) listed below from your facing Parts Distribution Center.

If our records show your dealership has ordered any vehicles involved in campaign number FL476AB, a list of the customers and vehicle identification numbers will be available on [AccessFreightliner.com](http://AccessFreightliner.com). Please refer to this list when ordering parts for this recall.

# Recall Campaign

January 2008  
 FL476AB  
 NHTSA #06V-190  
 REVISED BULLETIN

Table 1 - Replacement Parts for FL476AB

Campaign Number	Kit Number	Part Description	Part Number	Qty. per Kit	Suggested Wholesale*
FL476A	25-FL476-000	PDM Drip Shield Assembly	Each Assembly includes: A06-63636-000 (shield) A06-56192-024 (tether) 23-12704-000 (rivet)	1 ea	\$19.74 U.S. \$25.14 CAN
		Completion Sticker	WAR260	1 ea	
FL476B	25-FL476-002	PDM Drip Shield Assembly	Each Assembly includes: A06-63639-000 (shield) A06-56192-024 (tether) 23-12704-000 (rivet)	1 ea	\$63.96 U.S. \$63.96 CAN
		Completion Sticker	WAR260	1 ea	
FL476AB Order PDMs by vehicle serial number only	25-FL476-001	Power Distribution Module (PDM)	A06-48239-000	1 ea	\$329.32 U.S. \$476.77 CAN

\* Please charge all Direct Warranty Customers the above-listed price for the kit, as they are authorized to perform their own Recalls.

Table 1

## Removed Parts

Please follow Warranty Failed Parts Tracking shipping instructions for the disposition of all removed parts.

## Labor Allowance

Table 2 - Labor Allowance

Campaign Number	Procedure	Time Allowed (hours)	SRT Code	Damage Code
FL476AB	inspect PDM for water damage and install cover	1.3	996-0668A	000-Modifiedx
FL476AB	Inspect PDM for water damage, replace PDM and install cover	1.5	996-0668B	000-Modifiedx

Table 2

**IMPORTANT:** When the recall has been completed, locate the base completion label in the appropriate location on the vehicle, and attach the red completion sticker provided in the recall kit (Form WAR260). If the vehicle does not have a base completion label, clean a spot on the appropriate location of the vehicle and first attach the base completion label (Form WAR259). If a recall kit is not required or there is no completion sticker in the kit, write the recall number on a blank sticker and attach it to the base completion label.

## Claims for Credit

You will be reimbursed for your parts, labor, and handling by submitting your claim through the Warranty system within 30 days of completing this campaign. Please reference the following information in QuickClaim®:

- Claim type is **Recall**.
- In the FTL Authorization field, enter the campaign number and appropriate condition code (**FL476A** or **FL476B**).
- In the Primary Failed Part Number field, enter **25-FL476-000**.
- In the Parts field, enter the appropriate kit number(s) as shown in the Replacement Parts Table.

- In the Labor field, first enter the appropriate SRT from the Labor Allowance Table. For administrative time, enter SRT 939-0010A for 0.3 hours.
- **Reimbursement for Prior Repairs.** When a customer asks about reimbursement, please do the following.
  - Accept the documentation of the previous repair.
  - Make a brief check of the customer's paperwork to see if the repair may be eligible for reimbursement. (See the "Copy of Owner Letter" section of this bulletin for reimbursement guidelines for this recall.)
  - Contact the Warranty Campaigns Department for a decision and authorization number.
  - Include the approved amount on your claim in sublet/outside purchases.
  - In the claim story, first note the authorization number and that the claim includes a reimbursement request.
  - Retain the documentation and provide it to Warranty Campaigns or Claims Processing if requested.
  - When your claim is paid, reimburse the customer the appropriate amount.

**IMPORTANT:** ServicePro® must be viewed prior to performing the recall to ensure the vehicle is involved and the campaign has not been previously completed. Also, check for a completion sticker prior to beginning work.

Contact the Warranty Campaigns Department at (800) 547-0712, from 7:00 a.m. to 4:00 p.m. Pacific Time, Monday through Friday, Web inquiry at [AccessFreightliner.com](http://AccessFreightliner.com) / Support / Submit an Inquiry, or the Customer Assistance Center at (800) 385-4357, after normal business hours, if you have any questions or need additional information.

To return excess kit inventory related to this campaign, U.S. dealers must submit a Parts Authorization Return (PAR) to the Memphis PDC. Canadian dealers must submit a PAR to their facing PDC. All kits must be in resalable condition. PAR requests must include the original purchase invoice number.

The letter notifying vehicle owners is included for your reference.

Please note that the National Traffic and Motor Vehicle Safety Act, as amended (Title 49, United States Code, Chapter 301), requires the owner's vehicle(s) be corrected within a reasonable time after parts are available to you. The Act states that failure to repair a vehicle within 60 days after tender for repair shall be prima facie evidence of an unreasonable time. However, circumstances of a particular situation may reduce the 60 day period. Failure to repair a vehicle within a reasonable time can result in either the obligation to (a) replace the vehicle with an identical or reasonably equivalent vehicle, without charge, or (b) refund the purchase price in full, less a reasonable allowance for depreciation. The Act further prohibits dealers from selling a vehicle unless all outstanding recalls are performed. Also, any lessor is required to send a copy of the recall notification to the lessee within 10 days.

# Recall Campaign

January 2008  
FL476AB  
NHTSA #06V-190  
REVISED NOTICE

## Copy of Letter to Owner Subject: PDM Covers

This notice is sent to you in accordance with the requirements of the National Traffic and Motor Vehicle Safety Act. This notice is also sent in accordance with the Canadian Motor Vehicles Safety Act.

Freightliner LLC, on behalf of its Freightliner Trucks Division, has decided that a defect that relates to motor vehicle safety exists on specific Freightliner Columbia, Coronado, Century Class S/T, and Argosy vehicles, manufactured between July 16, 2004, and October 17, 2005.

Certain vehicle cabs may leak causing water to enter the Power Distribution Module (PDM). If water enters the PDM, electrical damage may occur resulting in possible heat damage to the vehicle and fire.

A protective shield will be installed over the PDM. The PDM will be inspected and replaced if water damage is found.

Parts are now available for authorized dealers to order. Contact your authorized dealer to arrange to have your vehicle(s) modified and to assure that parts are available at the dealer. To locate a dealer, search online at [www.FreightlinerTrucks.com](http://www.FreightlinerTrucks.com) or contact the Warranty Campaigns Department for assistance.

When you contact your dealer, refer to campaign number **FL476AB**. Once kit(s) are received at the dealership, the Recall will take approximately two hours and will be performed at no charge to you.

**IMPORTANT:** When the Recall has been completed, please ensure that a label has been affixed to your vehicle referencing **FL476AB**.

If you do not own the vehicle that corresponds to the identification number(s) which appears on the Recall Notification, please return the notification to the Warranty Campaigns Department with any information you can furnish that will assist us in locating the present owner. If you have leased this vehicle, Federal law requires that you forward this notice to the lessee within 10 days. If you have paid to have this recall condition corrected prior to this notice, you may be eligible to receive reimbursement. Please see the reverse side of this notice for details.

If you are not able to have the defect remedied without charge and within a reasonable time, which is not longer than 60 days after you tender the vehicle for repair, please contact the Warranty Campaigns Department at (800) 547-0712, 7:00 a.m. to 4:00 p.m. Pacific Time, Monday through Friday, e-mail address [WarrantyCampaigns@Freightliner.com](mailto:WarrantyCampaigns@Freightliner.com), or the Customer Assistance Center at (800) FTL-HELP or (800) STL-HELP, after normal business hours. You may also wish to submit a complaint to the Administrator, National Highway Traffic Safety Administration, 1200 New Jersey Avenue, SE., Washington, DC 20590; or call the Vehicle Safety Hotline at (888) 327-4236 (TTY: 800-424-9153); or to <http://www.safercar.gov>. If your vehicle is involved in the Canadian portion, you may wish to notify Transport Canada, ASFAD, Place de Ville Tower C, 330 Sparks Street, Ottawa, ON K1A 0N5, or phone (800) 333-0510.

We regret any inconvenience this action may cause but feel certain you understand our interest in motor vehicle safety.

WARRANTY CAMPAIGNS DEPARTMENT

Enclosure

## Reimbursement to Customers for Repairs Performed Prior to Recall

If you have already **paid** to have this recall condition corrected you may be eligible to receive reimbursement.

Requests for reimbursement may include parts and labor. Reimbursement may be limited to the amount the repair would have cost if completed by an authorized Freightliner LLC dealer. The following documentation must be presented to your dealer for consideration for reimbursement.

Please provide original or clear copies of all receipts, invoices, and repair orders that show:

- The name and address of the person who paid for the repair.
- The Vehicle Identification Number (VIN) of the vehicle that was repaired.
- What problem occurred, what repair was done, when the repair was done.
- Who repaired the vehicle.
- The total cost of the repair expense that is being claimed.
- Proof of payment for the repair (such as the front and back of a cancelled check or a credit card receipt).

Reimbursement will be made by check from your Freightliner LLC dealer.

Please speak with your Freightliner LLC authorized dealer concerning this matter.

# Recall Campaign

January 2008  
FL476AB  
NHTSA #06V-190  
REVISED NOTICE

## Work Instructions

### Subject: PDM Covers

**Models Affected: Specific Freightliner Columbia, Coronado, Century Class S/T, and Argosy vehicles manufactured between September 7, 2004, and October 17, 2005.**

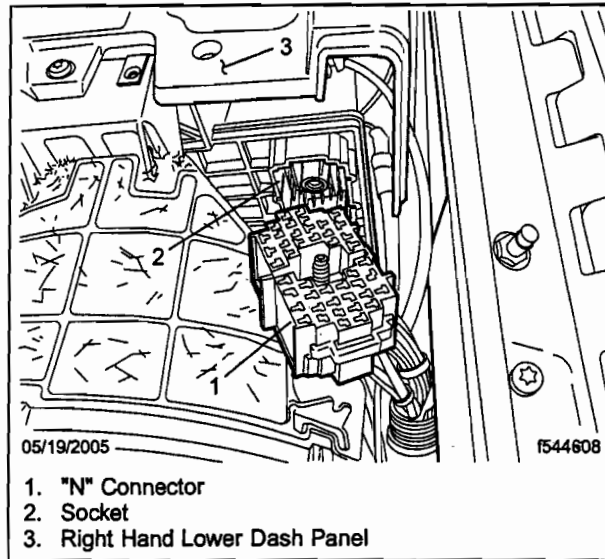
#### PDM Inspection Procedure

1. Check the base label (Form WAR259) for a completion sticker for FL476 (Form WAR260) indicating this work has been done. The base label is usually located on the passenger-side door about 12 inches (30 cm) below the door latch. If a sticker for FL476 is present, nothing further needs to be done. If no sticker is present, go to the next step.
2. Shut down the engine, set the parking brake, and chock the tires.
3. Disconnect the batteries at the negative terminals.
4. From inside the cab, remove the electrical (PDM) cover from the dash.
5. Remove the right-hand upper dash cover to allow access to the HVAC panel fasteners.
6. Remove the HVAC panel.
7. If a clear PDM cover is present, remove and discard it and its tether. Save the hexnut and washer that hold the tether to the stud. Set the fasteners aside.

#### Check the PDM for Moisture Damage

1. Inspect the PDM and all its electrical components (including the pins and connectors of the harness) for water, evidence of previous exposure to water, and heat damage. Also look for warped or melted areas.
  - 1.1 Inspect for moisture or moisture residue on top of the PDM and on the surrounding wires. Look for small spots of white or bluish-green mineral deposits, indicating moisture that has evaporated.
  - 1.2 Starting with the relay positions 7 and 8 at the right upper corner of the PDM, remove all the fuses and relays one by one, and check for corrosion on the pins and in the sockets.
  - 1.3 Mark and remove all harness connectors on the top of the PDM. The connectors on the outboard edge (top and bottom) are most critical - check these areas carefully. Check all pins and sockets for corrosion.
  - 1.4 Disconnect the positive battery cables from the PDM.
  - 1.5 Remove the fasteners that secure the PDM to the dash, then lift the PDM and slide it as far to the right as possible.
  - 1.6 From underneath, remove the "N" connector from the bottom of the PDM (a 9/32-inch socket is required). See **Fig. 1**. Inspect the pins and sockets of both the PDM and the connector for signs of corrosion.
  - 1.7 Using a mirror, inspect the seam where the top and bottom halves of the PDM are joined. Look for evidence of moisture which will be white mineral deposits coming from the seam below the upper housing.
2. If any of the above conditions are found, replace the PDM. Go to "Replace the PDM" on page 9 of these Work Instructions. Repair damaged wiring as necessary. **PDMs must be ordered by vehicle serial number.**

If no evidence of moisture damage is found, proceed to the next step.



**Fig. 1, View From Underneath the PDM**

3. Re-attach the PDM to the dash as follows.
  - 3.1 Attach the "N" connector to the underside of the PDM.
  - 3.2 Attach all applicable connectors to the top of the PDM.
  - 3.3 Attach the positive battery cable to the PDM.
  - 3.4 Install the fasteners that secure the PDM to the dash.
4. Moisture has a tendency to track along wire cables, which can cause it to reach the PDM. Inspect all the cable routings around the PDM. Make sure that no wires cross above the PDM. This includes, but is not limited to, the PDM ground in the "H" connector and all wires routed from the A-pillar.

As needed, reroute the wires so they will not track moisture to the PDM. Wires coming from the A-pillar should be routed using a drip loop, which is a low point in the wire that will allow any moisture to drip at a point away from the PDM. Secure any wires with tie straps, as needed.
5. Install the HVAC panel.

#### Install the New PDM Cover

**Only replace the PDM if evidence of damage is found. Replacement PDMs must be ordered by vehicle serial number. Less than 25% of vehicles are expected to require replacement of the PDM.**

1. Using the previously removed hexnut and washer, attach the tether to the left threaded mounting stud.
2. Position the new cover over the PDM. The cover must be positioned outboard as far as possible to completely cover the battery terminals. The inboard side of the cover should be flush against the HVAC duct, but not under it. See Fig. 2 and Fig. 3.

The edge of the cover that is close to the windshield should sit on top of the wiring harness. The edge of the cover that is close to the dash should rest on the second ledge of the inside surface of the front dash panel. See Fig. 4 for a cross-section view of the installation. Ensure that all the PDM wiring is protected underneath the new cover.

# Recall Campaign

January 2008  
FL476AB  
NHTSA #06V-190  
REVISED NOTICE

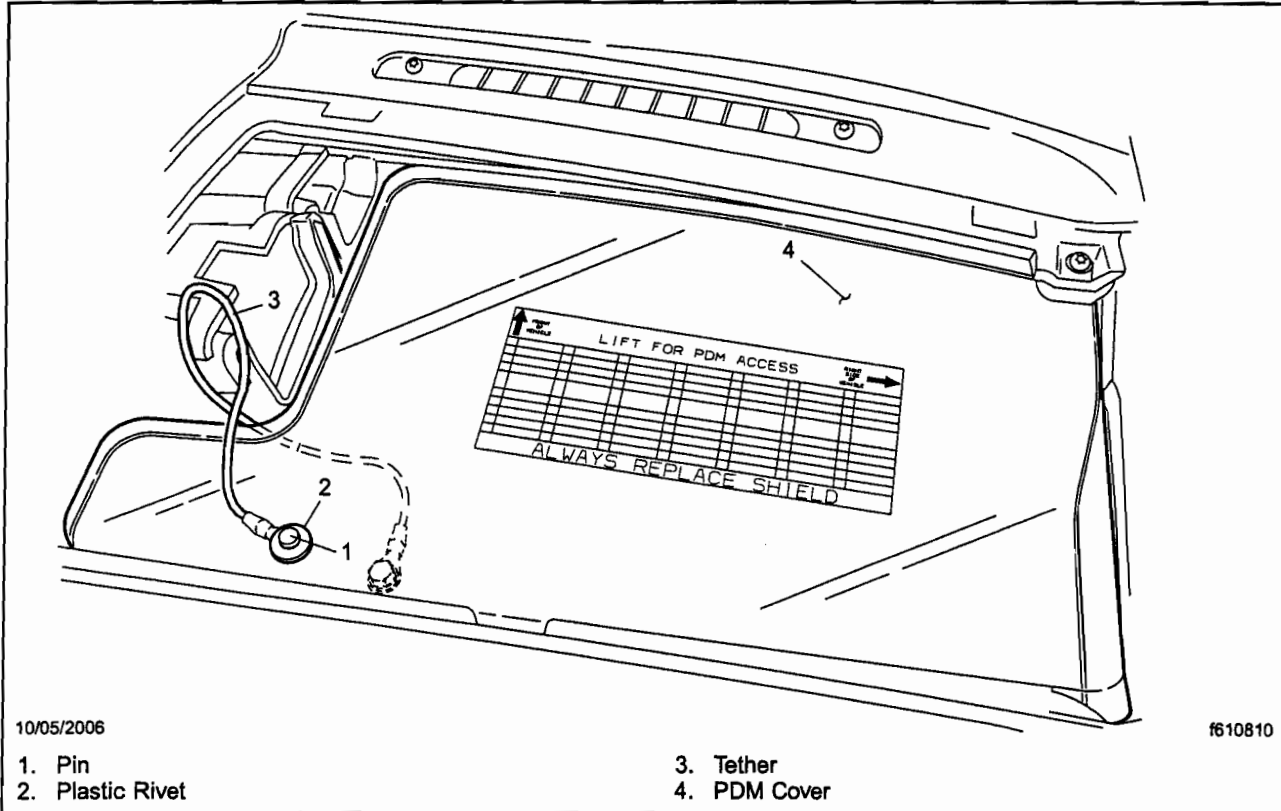


Fig. 2, PDM Cover Installation, Century Class, Columbia, and Coronado Vehicles (left-hand drive)

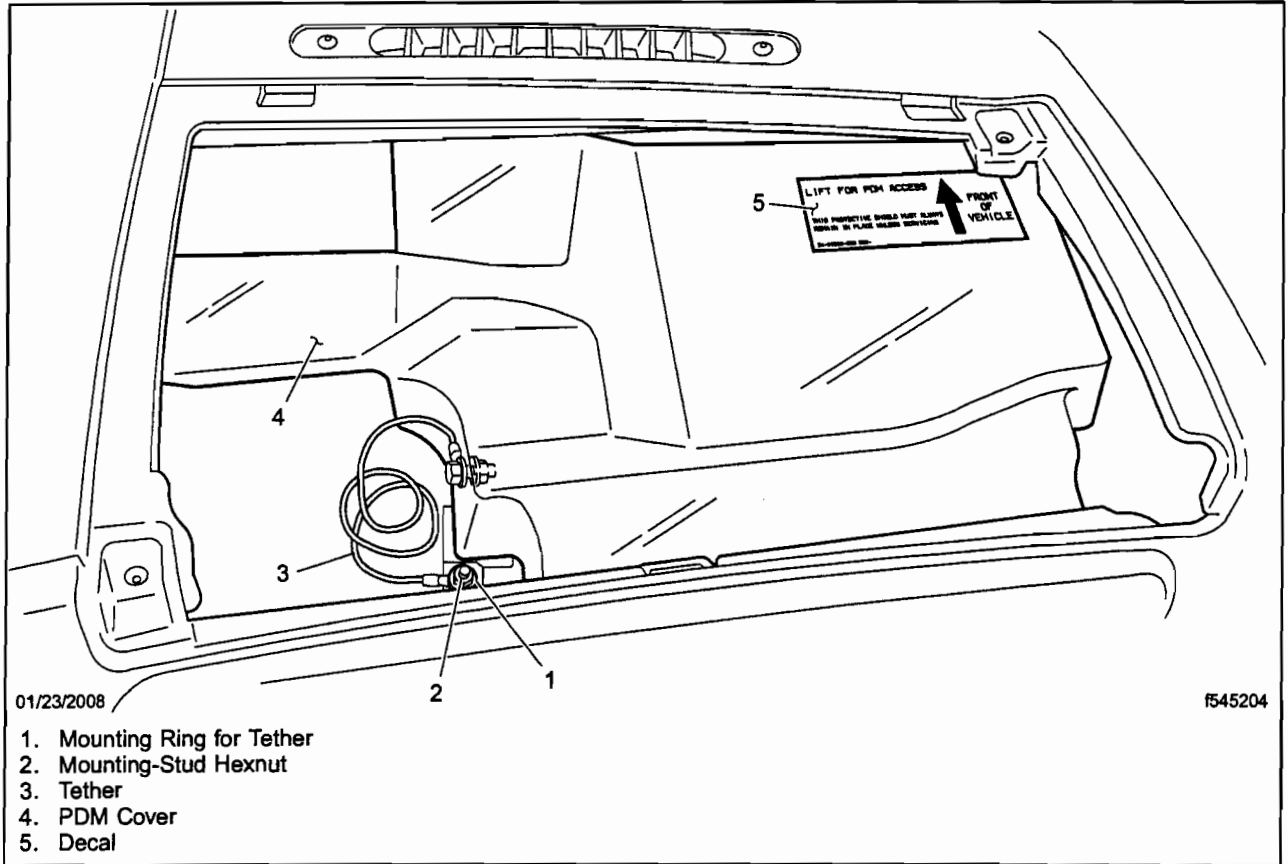
3. Install the electrical (PDM) cover on the dash.
4. Install the front dash cover.
5. Connect the batteries at the negative terminals.
6. Clean a spot on the base label (Form WAR259). The base label is usually located on the passenger-side door about 12 inches (30 cm) below the door latch. Attach a completion sticker (Form WAR260) for recall FL476 to the base label.
7. Remove the chocks from the tires.

## Replace the PDM

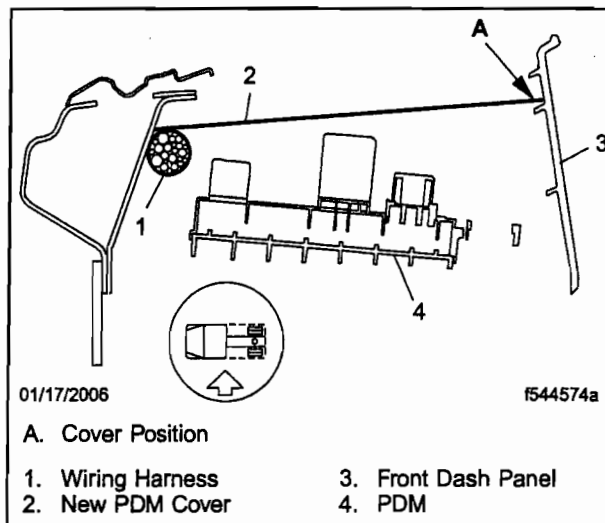
**PDMs must be inspected for water damage first. If water damage is found, PDMs must then be ordered by vehicle serial number. Less than 25% of vehicles are expected to require replacement of the PDM.**

NOTE: The replacement PDM does not come with relays and fuses; the relays and fuses must be transferred from the old PDM to the new PDM. *It is necessary to install the new cover from the recall kit on replacement PDMs.*

1. From inside the cab, remove the necessary dash panels to gain access to the top and bottom of the PDM. See Fig. 5.
  - 1.1 Remove the electrical (PDM) cover.
  - 1.2 Remove the right-hand upper dash cover.



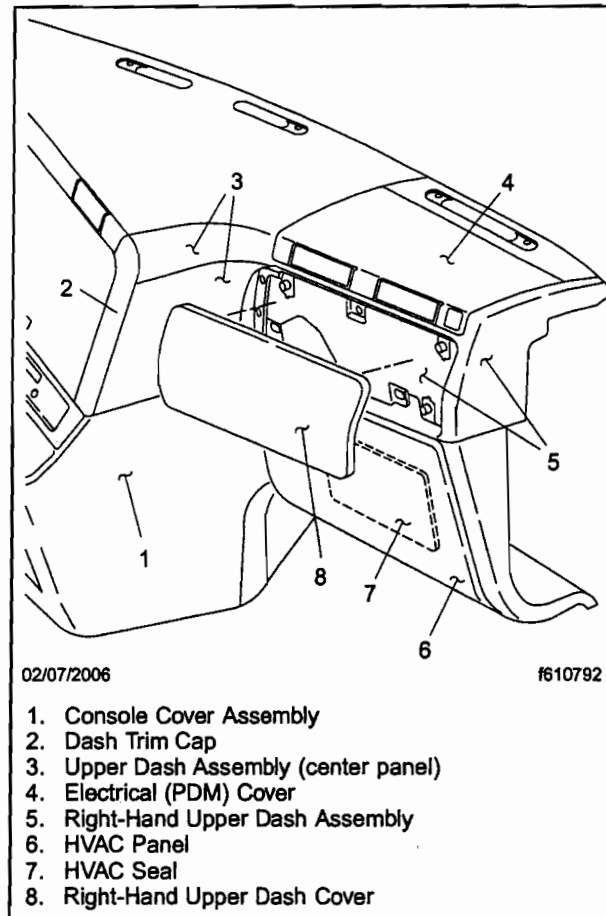
**Fig. 3, PDM Cover Installation, Argosy Vehicles (left-hand drive)**



**Fig. 4, Cross-Section View of Installation, Century Class, Columbia, and Coronado Vehicles (left-hand drive)**

# Recall Campaign

January 2008  
FL476AB  
NHTSA #06V-190  
REVISED NOTICE



**Fig. 5, Dash Panels (left-hand drive shown)**

- 1.3 Remove the HVAC panel and the interior HVAC seal.
- 1.4 Remove the dash trim cap to gain access to the fasteners that hold the upper dash assembly (center panel) in place.
- 1.5 Remove the fasteners that hold the console cover assembly in place.
- 1.6 Move the console cover assembly outward to gain access to the lower fasteners that hold the right-hand upper dash assembly panel in place.
- 1.7 Remove, as necessary, any fasteners along the right-hand windshield vents that hold the right-hand upper dash assembly in place.
- 1.8 Remove the right-hand upper dash assembly to gain access to the bottom of the PDM.
2. Remove the old PDM from the dash.
3. Install the new PDM in the dash.
  - 3.1 Tilt the new PDM board into the dash so the tabs at the rear edge (facing away from you) fit into the slots in the dash assembly, fit the holes in the front edge (facing toward you) over the studs.
  - 3.2 Install the hexnuts on the studs, and tighten them firmly.

4. Clean any corrosion from the wiring connections.
5. As previously marked, connect all the wiring.
6. Install the sockets for the relays by pushing them up from the bottom of the PDM.
7. Install the dash panels as follows.

NOTE: Before installing each dash panel, make sure the speed clips align to holes in the dash. Install all dash screws to 30 lbf-in (340 N·cm).

- 7.1 Install the right-hand upper dash assembly.
  - 7.2 Install the HVAC seal.
  - 7.3 Install the HVAC panel.
  - 7.4 Install the fasteners for the console cover assembly.
  - 7.5 Install the upper dash assembly (center panel).
  - 7.6 Install the right-hand upper dash cover.
  - 7.7 Install the dash trim cap.
8. Go to the heading "Install the New PDM Cover."