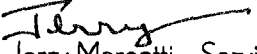




Via Overnight Mail
March 28, 2006

To: Area General Manager
From:  Jerry Marcotti - Service and Parts Operation Manager
Subject: Special Service Campaign (SSC) 6LB
Supplemental Restraint System (SRS) Airbag Replacment

Lexus has initiated a Special Service Campaign (SSC) on a limited number of 2006 model year GS 300, GS 430, IS 250 and IS 350 and a limited number of 2004 through 2006 model year LS 430 vehicles. Campaign details and the degree of your area's involvement are explained below.

Condition

Due to improper assembly of the airbag inflator, which is incorporated into the SRS airbag assembly (Side Airbag, Curtain Side Airbag, Driver Knee Airbag or Passenger Knee Airbag), some inflators were produced with an insufficient amount of the heating agents necessary for proper airbag deployment. In this condition, the expansion force of the gas may be insufficient to properly inflate the airbag when the SRS system is activated during a collision.

For further information refer to enclosed dealer letter which includes the Lexus Q&A, customer notification letter and repair instructions.

Dealer Notification

Dealer notification letters will be sent to the attention of the Service Manager on Monday, April 3, 2006 via Next Day UPS delivery service.

Owner Notification Date

Owner notification letters will be mailed via First Class Mail beginning in mid-April 2006.

Identification of Involved Vehicles

Model Year	Model	VDS	Affected VINs
2006	IS 350	BE262	JTHBE262065001111, JTHBE262065001979, JTHBE262262000558, JTHBE262565003890, JTHBE262865004712, JTHBE262X65001049, JTHBE262X65001505, JTHBE262X65003884, JTHBE262X65003934
2006	IS 250	BK262 CK262	JTHBK262065007743, JTHBK262165006326, JTHBK262265003970, JTHBK262565006460, JTHBK262565008290, JTHBK262665008296, JTHBK262765007738, JTHBK262962002848, JTHBK262962005944, JTHBK262962006656, JTHCK262262001853

2006	GS 300	BH96S CH96S	JTHBH96S065029636, JTHBH96S465020504, JTHBH96S965002533, JTHBH96S965022314, JTHBH96SX65020555, JTHCH96S160011664, JTHCH96S260011155, JTHCH96S260011673, JTHCH96S260013262, JTHCH96S660011207, JTHCH96S760015850, JTHCH96S860015808, JTHCH96SX60011890
2006	GS 430	BN96S	JTHBN96S465008779, JTHBN96S665007794, JTHBN96S765008243, JTHBN96SX65001741
2004 - 2006	LS 430	BN36F	JTHBN36F065033257, JTHBN36F340132181, JTHBN36F365041501, JTHBN36F365041515, JTHBN36F440165626, JTHBN36F455007324, JTHBN36F540134272, JTHBN36F540164548, JTHBN36F640138640, JTHBN36F640164560, JTHBN36F665033019, JTHBN36F665041511 JTHBN36F755011447, JTHBN36F765031909, JTHBN36F765032994, JTHBN36F765033031, JTHBN36F765037631, JTHBN36F865033071, JTHBN36F940164567, JTHBN36F955011286, JTHBN36FX40162598, JTHBN36FX65033041, JTHBN36FX65033539

Note: Dealers should always consult Dealer Daily or TIS to confirm VIN eligibility and to assure that the SSC is applicable. This will verify the vehicle is involved and has not already been completed by another dealer. TMS warranty will not reimburse dealers for repairs conducted on vehicles that are not affected.

Implementation at Dealerships

The SSC package will contain the repair instructions, warranty claim procedures, and parts order information for all affected vehicles. All associates who have a part in the completion of this campaign should be familiar with its contents.

Replacement Parts

The technical instructions list the required parts by specific VIN.

Please encourage your dealers to order only those parts needed to repair vehicles with service appointments. All SSC 6LB parts have been placed on manual allocation (MAC). Individual dealer tracking will be done and irregularities in quantity ordering will be passed on to you for follow-up and correction. There will be sufficient inventory to accommodate this SSC.

Tools and Equipment

In addition to standard hand tools, nylon pry tools and a torque wrench are required to perform this campaign procedure.

Customer Care

Lexus' usual customer care amenities (car wash, fuel fill-up and loaner vehicles) apply to this SSC. Specific details may be found in TIS in the General Procedures for Limited and Special Service Campaigns.

Reimbursement Procedures

Dealers are required to submit SSC claims following the procedures described below.

Claim Type	Repair	Opcode	Vehicle	Labor Hours*	Sublet
SC	Replace the left or right curtain shield airbag	6508CJ	GS 430 GS 300	3.2	GA (fuel), TW (tow), RT (loaner vehicle), DE (pick-up/delivery or remote repair), CW (car wash), or ZZ (hazardous materials handling) as required and substantiated by invoices.
		6508CK	IS 250 IS 350	2.7	
	Replace the driver's or passenger seat assembly	6508CL	LS 430	0.5	
		6508CS	GS 430 GS 300	0.6	
		6508CT	IS 250 IS 350	0.4	
	Replace the instrument panel lower No. 1 airbag	6508CM	LS 430 IS 250 IS 350	0.4	
		6508CN	GS 430 GS 300	0.6	
	Replace the instrument panel lower No. 2 airbag	6508CR	IS 250 IS 350	0.3	
		6508CP	GS 430 GS 300 LS 430	0.5	

*Includes 0.1 labor hours for administrative time.

NOTE: Lexus warranty will only accept one claim per vehicle under the terms of the SSC. Please ensure that your dealership checks the National History File or TIS to see if the vehicle has been repaired under this SSC prior to servicing a vehicle.

Dealer System Communications

- The VIN number information download will be performed on April 3, 2006 and the dealer system flag on affected vehicles will be activated at that time.
- The operation code will be downloaded and available for dealerships to use on April 3, 2006. DMS dealer files

are automatically updated and no further action should be required.

Thank you for your understanding.

Enclosure

CC: Area Customer Satisfaction Manager
Area Customer Services Operations Manager
Assistant Area Manager
District Service and Parts Manager
District Technical Manager
District Technical Specialist
District Technical Specialist
Field Technical Specialists
Product Field Engineer



Via Overnight Mail
April 4, 2006

Subject: Special Service Campaign (SSC) 6LB
Supplemental Restraint System (SRS) Airbag Replacment

Dear Dealer Principal:

Lexus has initiated a Special Service Campaign (SSC) on a limited number of 2006 model year GS 300, GS 430, IS 250 and IS 350 and a limited number of 2004 through 2006 model year LS 430 vehicles. Campaign details and the degree of your dealer's involvement are explained below.

Condition

Due to improper assembly of the airbag inflator, which is incorporated into the SRS airbag assembly (Side Airbag, Curtain Side Airbag, Driver Knee Airbag or Passenger Knee Airbag), some inflators were produced with an insufficient amount of the heating agents necessary for proper airbag deployment. In this condition, the expansion force of the gas may be insufficient to properly inflate the airbag when the SRS system is activated during a collision.

For further information refer to the attached Lexus Q&A and customer notification letter.

Owner Notification Date

Owner notification letters will be mailed via First Class Mail beginning in mid-April 2006.

Identification of Involved Vehicles

Model Year	Model	VDS	Affected VINs
2006	IS 350	BE262	JTHBF262065001111, JTHBF262065001979, JTHBE262262000558, JTHBE262565003890, JTHBE262865004712, JTHBE262X65001049, JTHBE262X65001505, JTHBE262X65003884, JTHBE262X65003934
2006	IS 250	BK262 CK262	JTHBK262065007743, JTHBK262165006326, JTHBK262265003970, JTHBK262565006460, JTHBK262565008290, JTHBK262665008296, JTHBK262765007738, JTHBK262962002848, JTHBK262962005944, JTHBK262962006656, JTHCK262262001853
2006	GS 300	BH96S CH96S	JTHBH96S065029636, JTHBH96S465020504, JTHBH96S965002533, JTHBH96S965022314, JTHBH96SX65020555, JTHCH96S160011664, JTHCH96S260011155, JTHCH96S260011673, JTHCH96S260013262, JTHCH96S660011207, JTHCH96S760015850, JTHCH96S860015808, JTHCH96SX60011890

2006	GS 430	BN96S	JTHBN96S465008779, JTHBN96S665007794, JTHBN96S765008243, JTHBN96SX65001741
2004 - 2006	LS 430	BN36F	JTHBN36F065033257, JTHBN36F340132181, JTHBN36F365041501, JTHBN36F365041515, JTHBN36F440165626, JTHBN36F455007324, JTHBN36F540134272, JTHBN36F540164548, JTHBN36F640138640, JTHBN36F640164560, JTHBN36F665033019, JTHBN36F665041511 JTHBN36F755011447, JTHBN36F765031909, JTHBN36F765032994, JTHBN36F765033031, JTHBN36F765037631, JTHBN36F865033071, JTHBN36F940164567, JTHBN36F955011286, JTHBN36FX40162598, JTHBN36FX65033041, JTHBN36FX65033539

Note: Dealers should always consult Dealer Daily or TIS to confirm VIN eligibility and to assure that the SSC is applicable. This will verify the vehicle is involved and has not already been completed by another dealer. TMS warranty will not reimburse dealers for repairs conducted on vehicles that are not affected.

Implementation at Dealerships

The SSC package contains the repair instructions, warranty claim procedures, and parts order information for all affected vehicles sold by your dealership. All associates who have a part in the completion of this campaign should be familiar with its contents.

Replacement Parts

The technical instructions enclosed with this letter list the required parts by specific VIN.

Please encourage your parts department to order only those parts needed to repair vehicles with service appointments. All SSC 6LB parts have been placed on manual allocation (MAC). Individual dealer tracking will be done and irregularities in quantity ordering will be passed on to Lexus Area Offices for follow-up and correction. There will be sufficient inventory to accommodate this SSC.

Tools and Equipment

In addition to standard hand tools, nylon pry tools and a torque wrench are required to perform this campaign procedure.

Customer Care

Lexus' usual customer care amenities (car wash, fuel fill-up and loaner vehicles) apply to this SSC. Specific details may be found in TIS in the General Procedures for Limited and Special Service Campaigns.

Reimbursement Procedures

Dealers are required to submit SSC claims following the procedures described below.

Claim Type	Repair	Opcode	Vehicle	Labor Hours*	Sublet
SC	Replace the left or right curtain shield airbag	6508CJ	GS 430 GS 300	3.2	GA (fuel), TW (tow), RT (loaner vehicle), DE (pick-up/delivery or remote repair), CW (car wash), or ZZ (hazardous material handling) as required and substantiated by invoices.
		6508CK	IS 250 IS 350	2.7	
	Replace the driver's or passenger seat assembly	6508CL	LS 430	0.5	
		6508CS	GS 430 GS 300	0.6	
		6508CT	IS 250 IS 350	0.4	
	Replace the instrument panel lower No. 1 airbag	6508CM	LS 430 IS 250 IS 350	0.4	
		6508CN	GS 430 GS 300	0.6	
	Replace the instrument panel lower No. 2 airbag	6508CR	IS 250 IS 350	0.3	
		6508CP	GS 430 GS 300 LS 430	0.5	

*Includes 0.1 labor hours for administrative time.

NOTE: Lexus warranty will only accept one claim per vehicle under the terms of the SSC. Please ensure that your dealership checks the National History File or TIS to see if the vehicle has been repaired under this SSC prior to servicing a vehicle.

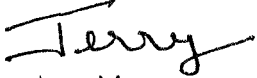
Dealer System Communications

- The VIN number information download will be performed on April 3, 2006 and the dealer system flag on affected vehicles will be activated at that time.

- The operation code will be downloaded and available for dealerships to use on April 3, 2006. DMS dealer files are automatically updated and no further action should be required.

Thank you for your understanding. Your on-going care for these Lexus owners during this campaign protects our customers and their image of Lexus.

Sincerely,

A handwritten signature in black ink that reads "Jerry". The signature is written in a cursive style with a long horizontal stroke at the end.

Jerry Marcotti
Service and Parts Operations Manager

Attachments

CC: Customer Satisfaction Manager
General Manager
Parts Manager
Sales Manager
Service Manager



Special Service Campaign (SSC) 6LB Q&A

Supplemental Restraint System (SRS) Airbag Replacement

Q1: What is the condition?

A1: Due to improper assembly of the airbag inflator, which is incorporated into the SRS airbag assembly (Side Airbag, Curtain Side Airbag, Driver Knee Airbag or Passenger Knee Airbag), some inflators were produced with an insufficient amount of the heating agents necessary for proper airbag deployment. In this condition, the expansion force of the gas may be insufficient to properly inflate the airbag when the SRS system is activated during a collision.

Q2: What is the cause of this condition?

A2: This condition is caused by the improper assembly of the airbag inflator.

Q3: Are there any warnings that this condition exists?

A3: No, there are no warnings that this condition will occur.

Q4: Which and how many vehicles are involved?

A4: There are 13 GS 300 (2006 MY), 4 GS 430 (2006 MY), 11 IS 250 (2006 MY), 9 IS 350 (2006 MY) and 23 LS 430 (2004, 2005 and 2006 MY) vehicles.

Q5: Are there any other Toyota or Lexus vehicles involved?

A5: Yes, there are some Toyota vehicles involved. They are 6 Avalon (2005 and 2006 MY), 2 Tacoma (2005 and 2006 MY), 46 Prius (2004, 2005 and 2006 MY), 1 RAV4 (2005 MY), 1 Camry (2007 MY) and 17 Scion tC (2005 and 2006 MY).

Q6: What is the production period of the affected vehicles?

A6: The affected Toyota and Lexus vehicles were produced between September 29, 2003 and January 10, 2006.

Q7: How many incidents of this condition have been reported?

A7: There have been no cases reported for this condition in the affected vehicles.

Q8: Have there been any accidents reported?

A8: There have been no reported cases of accidents related to this condition.

Q9: What is Lexus going to do?

A9: Owners of the involved vehicles will receive a Special Service Campaign notification by first class mail beginning in mid-April, 2006. Lexus dealers will replace the specific SRS Airbag at **NO CHARGE** to the vehicle owners.

Q10: How long will the repair take?

A10: The repair will take approximately three hours. However, depending upon the dealer's work schedule, it may be necessary to make the vehicle available for a longer period of time.

Q11: What should an owner do if they have a problem with their SRS Airbag?

A11: Owners are requested to contact their local Lexus dealer for diagnosis and repair.

SSC 6LB - Supplemental Restraint System (SRS) Airbag Replacement
SAFETY RECALL NOTICE

DRAFT

Dear Lexus Customer:

Re: Your Vehicle, [VIN]

This notice is being sent to you in accordance with the requirements of the National Traffic and Motor Vehicle Safety Act. Lexus has decided that a defect, which relates to motor vehicle safety, exists in certain SRS airbag assemblies equipped in specific Lexus vehicles.

What is the problem?

Due to improper assembly of the airbag inflator, which is incorporated into the SRS airbag assembly (Side Airbag, Curtain Side Airbag, Driver Knee Airbag or Passenger Knee Airbag), some inflators were produced with an insufficient amount of the heating agents necessary for proper airbag deployment. In this condition, the expansion force of the gas may be insufficient to properly inflate the airbag when the SRS system is activated during a collision. In the worst case, this may increase the risk of injury to the occupant in the involved seating position in the event of a crash. Your vehicle has been identified by the airbag serial number and the Vehicle Identification Number as requiring an airbag replacement.

What will Lexus do?

Based upon your Vehicle Identification Number (VIN), any Lexus dealer will replace the specific SRS airbag requiring replacement. This repair will be conducted at **NO CHARGE** to you.

What should you do?

Please contact your authorized Lexus dealer to make an appointment so your dealer can order the airbag specific to your vehicle. You will need your Vehicle Identification Number (provided at the top of this letter) when making the appointment. We request that you replace the airbag as soon as possible.

The replacement will take approximately three hours. However, depending upon the dealer's work schedule, it may be necessary to make your vehicle available for a longer period of time.

We request that you present this notice to the dealer at the time of your service appointment.

If you no longer own the vehicle, please indicate so on the enclosed postage-paid form, providing us with the name and address of the new owner.

What if you have other questions?

Please contact any Lexus dealer or call the Lexus Customer Assistance Center at 1-800-255-3987.

If you believe that the dealer or Lexus has failed or is unable to remedy the defect within a reasonable time, you may submit a complaint to the Administrator, National Highway Traffic Safety Administration, 400 Seventh Street S.W., Washington, D.C. 20590, or call the toll free Auto Safety Hot Line at 1-888-327-4236 (TTY: 1-800-424-9153), or go to <http://www.safercar.gov>.

If you are a vehicle lessor, Federal law requires that any vehicle lessor receiving this recall notice must forward a copy of this notice to the lessee within ten days.

We have sent this notice in the interest of your continued satisfaction with our products, and we sincerely regret any inconvenience this condition may have caused you.

Thank you for driving a Lexus.

Sincerely,

LEXUS DIVISION
TOYOTA MOTOR SALES, U.S.A., INC.

TECHNICAL INSTRUCTIONS
FOR
SPECIAL SERVICE CAMPAIGN 6LB
AIRBAG REPLACEMENT
FOR THE FOLLOWING VEHICLES

2006 IS 250 & 350

2006 GS 300 & 430

2004 THROUGH 2006 LS 430

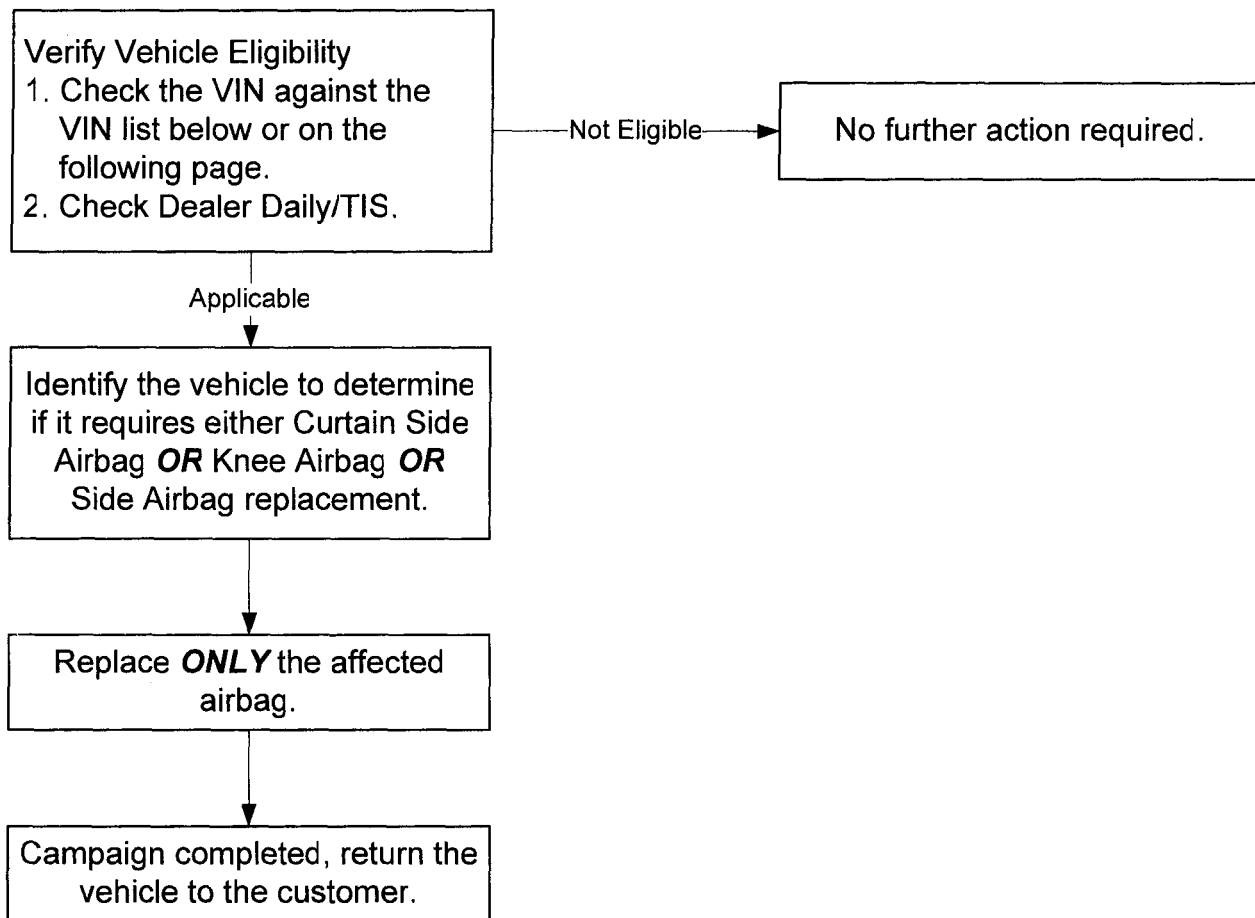
(60 Specific VINs Only)

TABLE OF CONTENTS

IS 250 & 350 Airbag Replacement.	Page 9
GS 300 & 430 Airbag Replacement	Page 17
LS 430 Airbag Replacement	Page 24
Undeployed Airbag Disposal	Page 30

IS 250 & 350
AIRBAG REPLACEMENT INSTRUCTIONS

I. OPERATION FLOW CHART



II. BACKGROUND

Due to improper assembly of the airbag inflator, which is incorporated into the SRS airbag assembly (Side Airbag, Curtain Side Airbag, Driver Knee Airbag or Passenger Knee Airbag), some inflators were produced with an insufficient amount of the heating agents necessary for proper airbag deployment. In this condition, the expansion force of the gas may be insufficient to properly inflate the airbag when the SRS system is activated during a collision.

III. IDENTIFICATION OF AFFECTED VEHICLES

A. AFFECTED VEHICLES WITH REPAIR AND PARTS APPLICATION

• Left Curtain Side Airbag Replacement Only

Year	VIN	Part Description and Part Number	Qty.
2006 IS 350	JTHBE262X65003884	Curtain Side Airbag (LH): 62180-53020	1
		Bolt: 90080-11628	9
		Front Pillar Garnish Clip: 90950-08004	2
	JTHBE262X65001505	Curtain Side Airbag (LH): 62180-53020	1
		Bolt: 90080-11628	9
		Front Pillar Garnish Clip: 90950-08004	2
	JTHBE262X65001049	Curtain Side Airbag (LH): 62180-53020	1
		Bolt: 90080-11628	9
		Front Pillar Garnish Clip: 90950-08004	2
JTHBE262065001111	Curtain Side Airbag (LH): 62180-53020	1	
	Bolt: 90080-11628	9	
	Front Pillar Garnish Clip: 90950-08004	2	

• Right Curtain Side Airbag Replacement Only

Year	VIN	Part Description and Part Number	Qty.
2006 IS 250	JTHBK262565006460	Curtain Side Airbag (RH): 62170-53020	1
		Bolt: 90080-11628	9
		Front Pillar Garnish Clip: 90950-08004	2
	JTHBK262962002848	Curtain Side Airbag (RH): 62170-53020	1
		Bolt: 90080-11628	9
		Front Pillar Garnish Clip: 90950-08004	2
	JTHBK262962005944	Curtain Side Airbag (RH): 62170-53020	1
		Bolt: 90080-11628	9
		Front Pillar Garnish Clip: 90950-08004	2

• Driver Side Knee Airbag Replacement Only

Year	VIN	Part Description and Part Number	Qty.
2006 IS 250	JTHBK262165006326	Knee Airbag (Driver Side): 73900-53020-B0	1
	JTHBK262265003970	Knee Airbag (Driver Side): 73900-53020-B0	1
	JTHBK262665008296	Knee Airbag (Driver Side): 73900-53020-A0	1

[Identification of Affected Vehicles Continued...]

• Passenger Side Knee Airbag Replacement Only

Year	VIN	Part Description and Part Number	Qty.
2006 IS 250	JTHBK262065007743	Knee Airbag (Passenger Side): 73990-53020-B0	1
	JTHBK262565008290	Knee Airbag (Passenger Side): 73990-53020-A0	1
	JTHBK262765007738	Knee Airbag (Passenger Side): 73990-53020-C0	1
	JTHBK262962006656	Knee Airbag (Passenger Side): 73990-53020-B0	1
	JTHCK262262001853	Knee Airbag (Passenger Side): 73990-53020-C0	1
2006 IS 350	JTHBE262X65003934	Knee Airbag (Passenger Side): 73990-53020-A0	1
	JTHBE262565003890	Knee Airbag (Passenger Side): 73990-53020-A0	1
	JTHBE262262000558	Knee Airbag (Passenger Side): 73990-53020-B0	1
	JTHBE262065001979	Knee Airbag (Passenger Side): 73990-53020-C0	1

• Left Side Airbag Replacement Only

Year	VIN	Part Description and Part Number	Qty.
2006 IS 350	JTHBE262865004712	Side Airbag (LH):71200-53800-C2	1

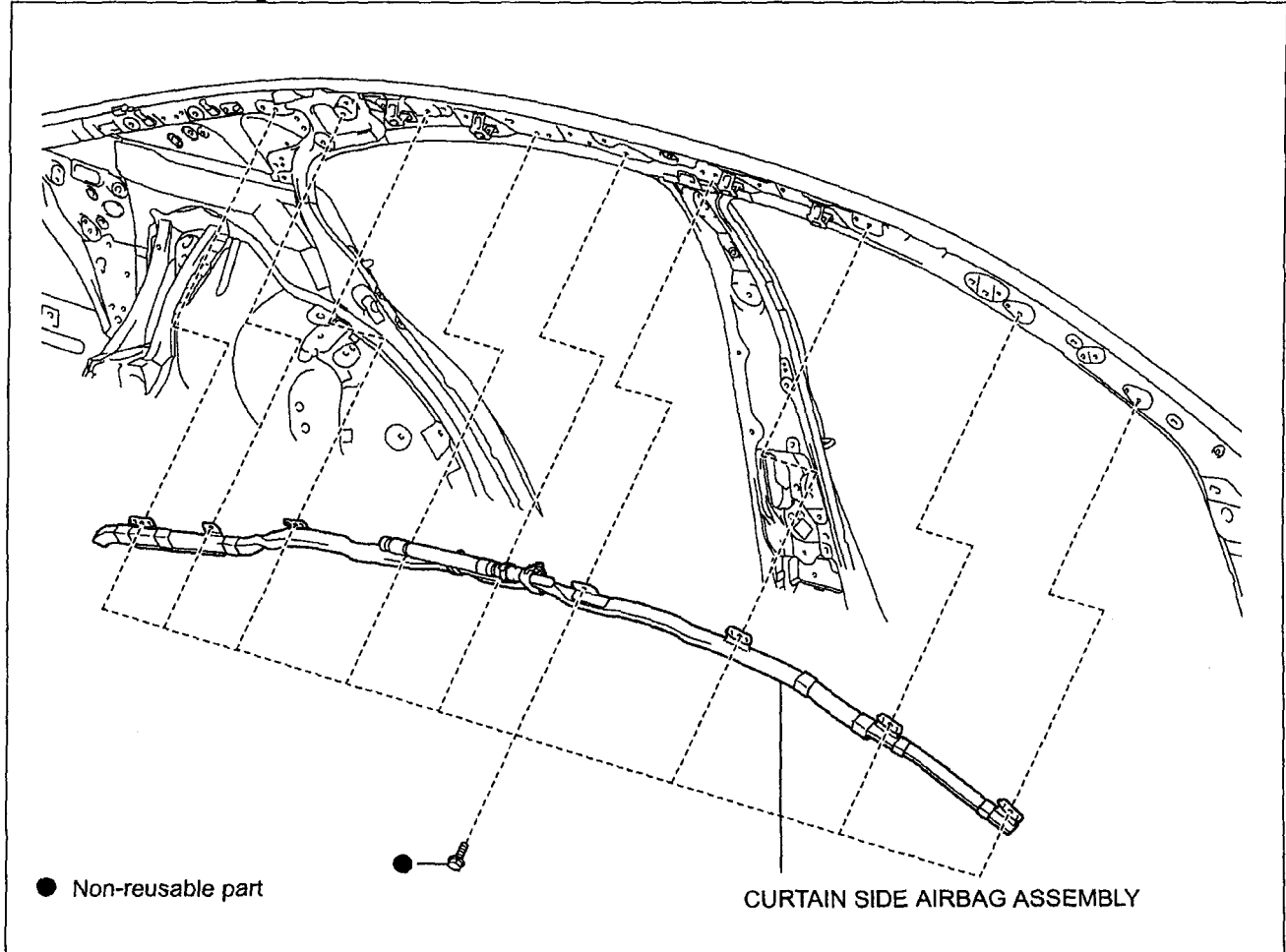
IV. PREPARATION

A. TOOLS

- Standard hand tools
- Nylon pry tools
- Torque Wrench

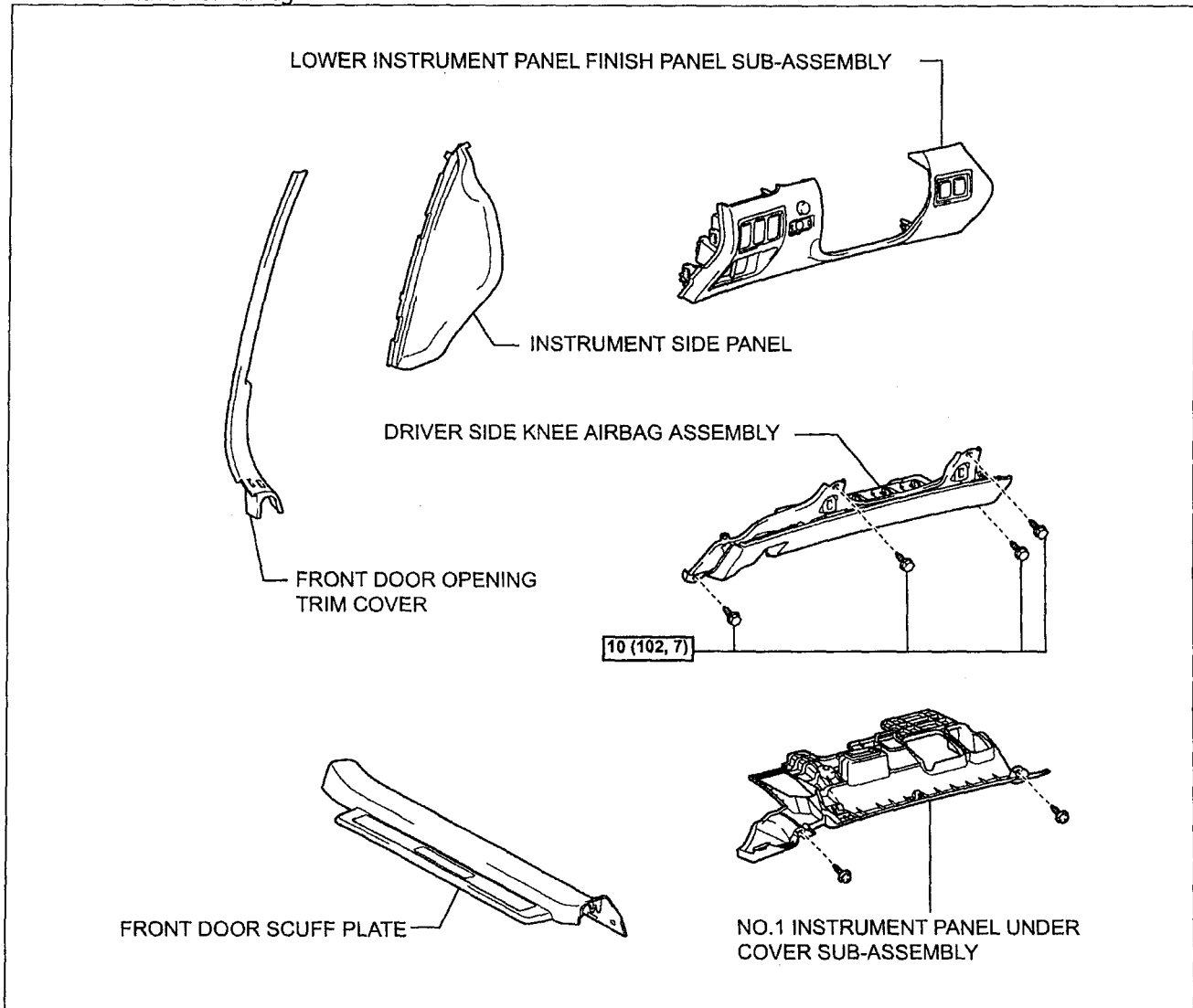
V. COMPONENTS

- Curtain Side Airbag



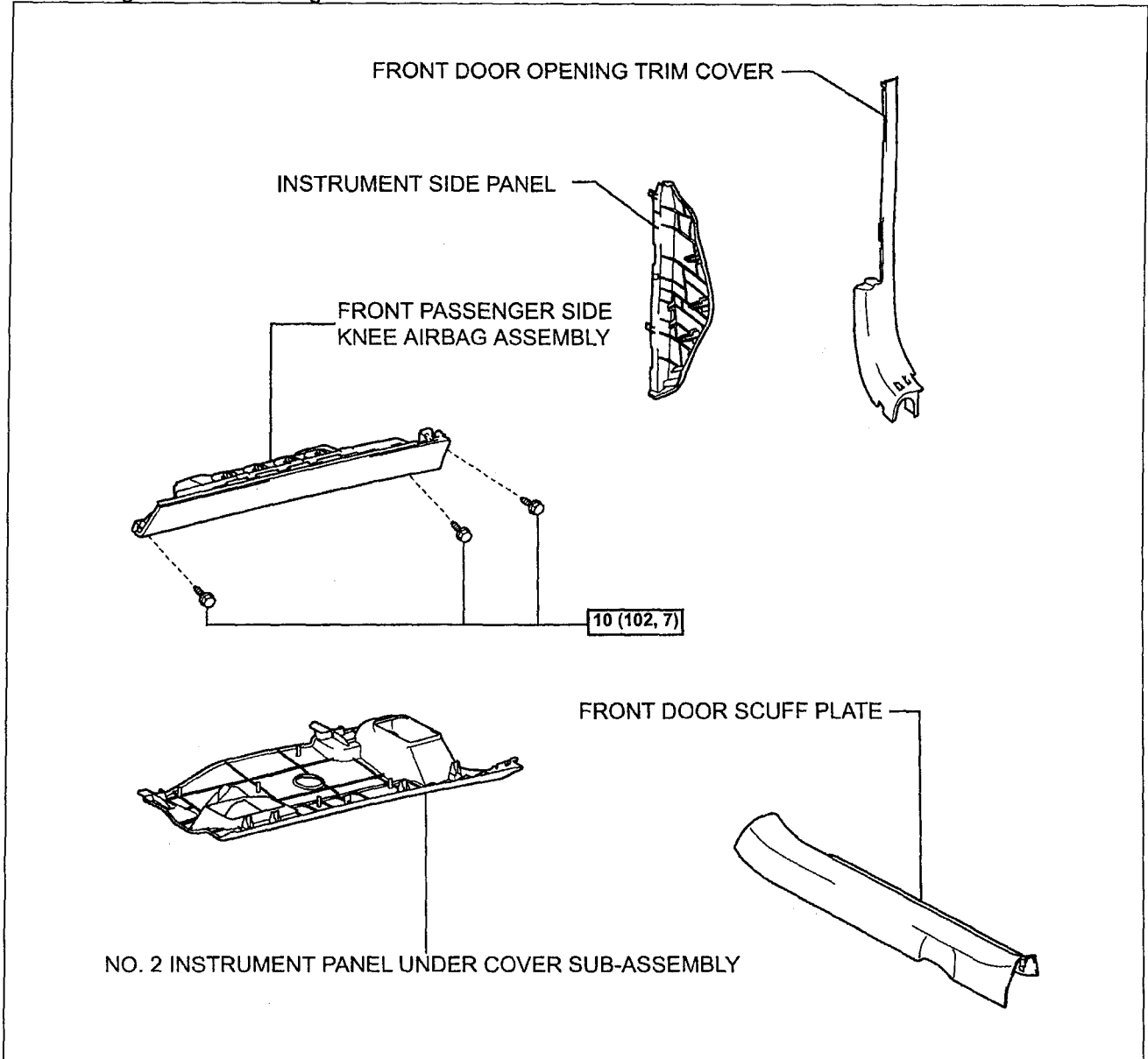
[Components Continued...]

- Driver Side Knee Airbag

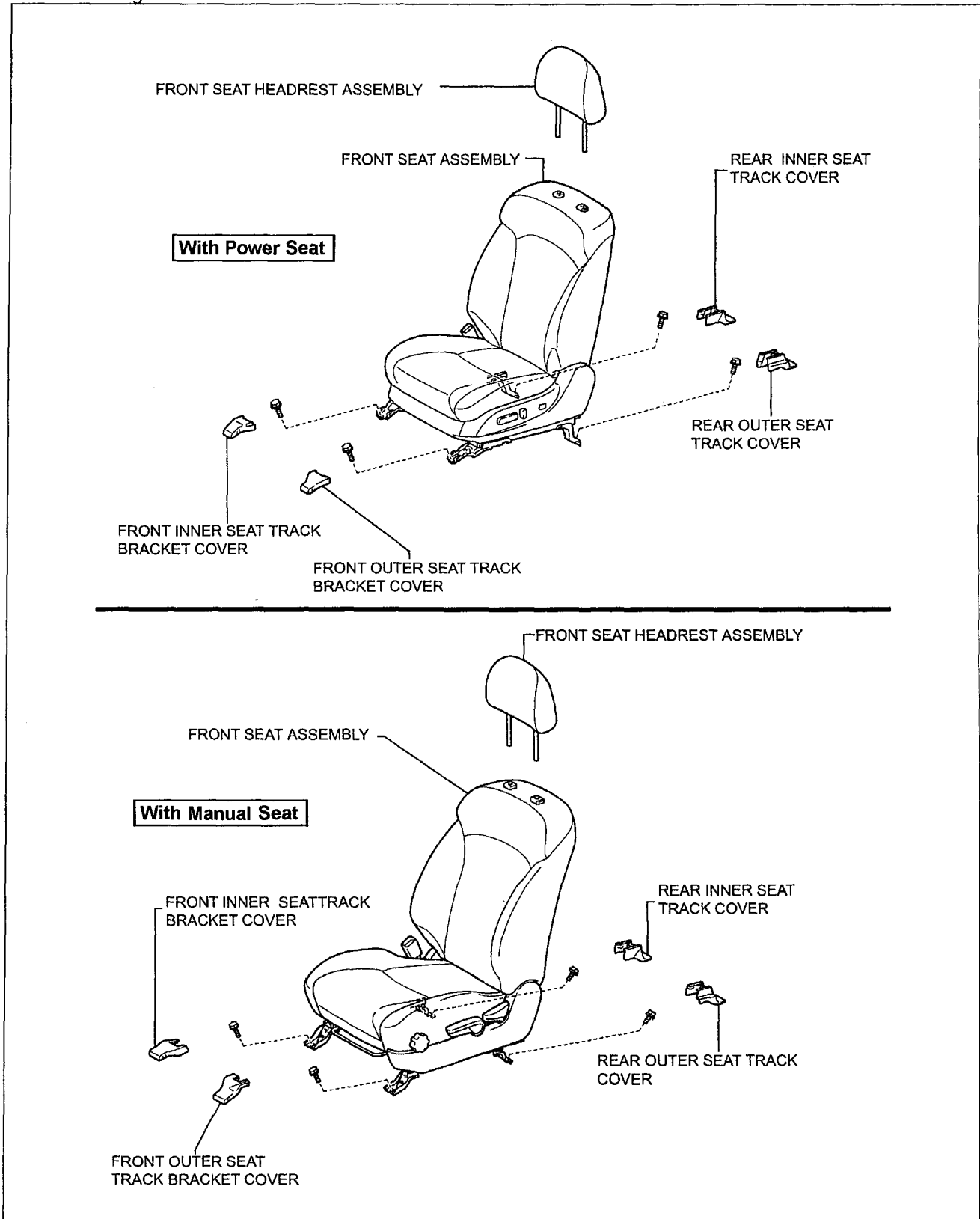


[Components Continued...]

- Passenger Side Knee Airbag



• Side Airbag



VI. WORK PROCEDURE

NOTE:

Before beginning any work, read and follow ALL the precautions listed in the Supplemental Restraint System: Airbag System: Precaution section of the appropriate Repair Manual for the vehicle you are working on.

NOTE:

Remember to wait at least 90 seconds after the engine switch is turned off and the negative (-) terminal cable is disconnected from the battery before starting work on the SRS system. (The SRS is equipped with a backup power source, so that if work is started within 90 seconds after disconnecting the negative (-) terminal cable of the battery, the SRS may be deployed).

NOTE:

When repairs are complete, inspect the operation of the SRS warning light. Confirm that it goes off approximately 6 seconds after the ignition switch is turned on.

- CURTAIN SIDE AIRBAG REPLACEMENT PROCEDURE

- A. Replace the curtain side airbag following the procedures outlined in the Supplemental Restraint System section of the appropriate Repair Manual for the vehicle you are working on.

- DRIVER SIDE KNEE AIRBAG REPLACEMENT PROCEDURE

- A. Replace the driver knee airbag following the procedures outlined in the Supplemental Restraint System: Driver Side Knee Airbag Assembly section of the appropriate vehicle Repair Manual for the vehicle you are working on.

- PASSENGER SIDE KNEE AIRBAG REPLACEMENT PROCEDURE

- A. Replace the passenger knee airbag following the procedures outlined in the Supplemental Restraint System: Front Passenger Side Knee Airbag Assembly section of the appropriate vehicle Repair Manual for the vehicle you are working on.

- SIDE AIRBAG REPLACEMENT PROCEDURE

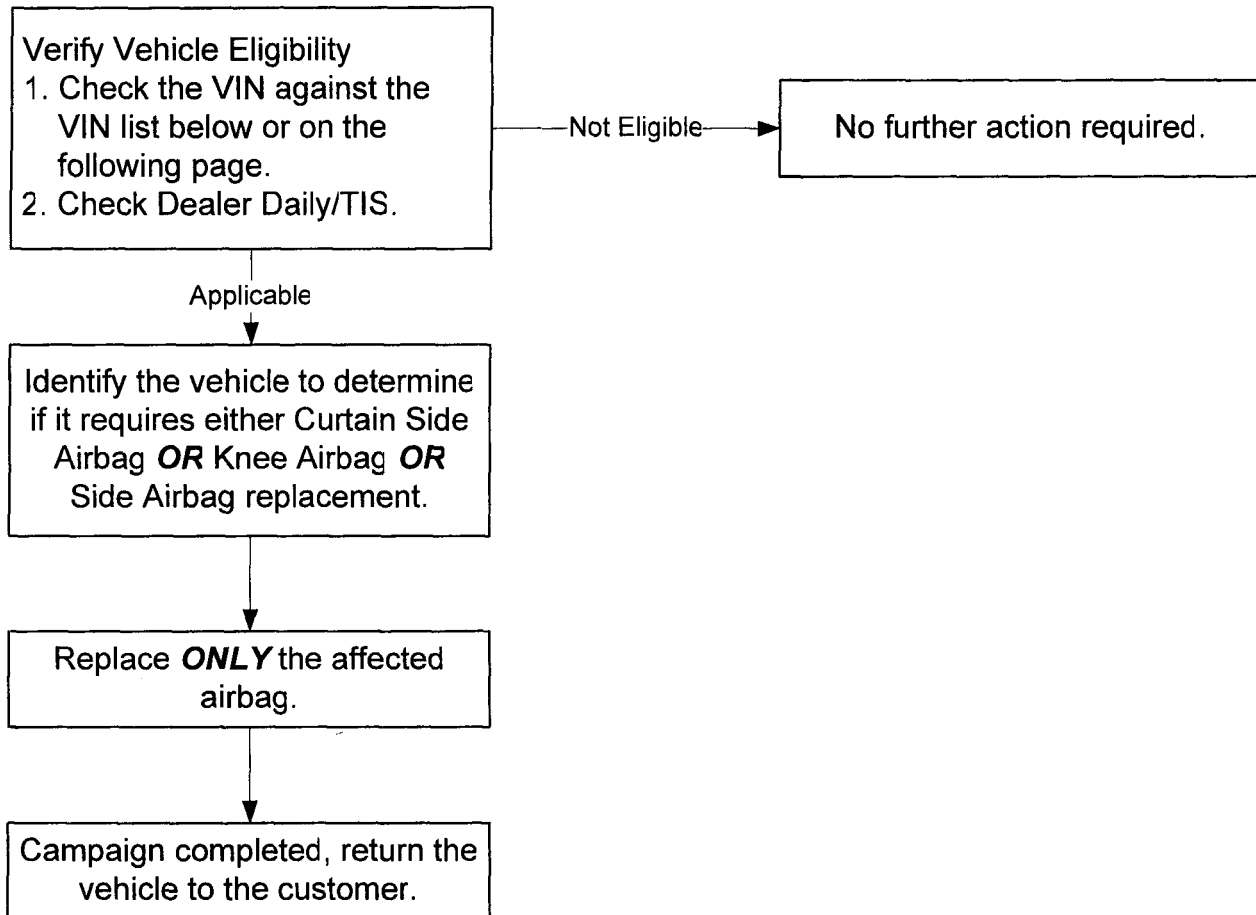
- A. Replace the side airbag following the procedures outlined in the Seat: Front Seat Assembly section of the appropriate vehicle Repair Manual for the vehicle you are working on.

NOTE:

To replace the side airbag, the entire seat must be replaced.

GS 300 & 430
AIRBAG REPLACEMENT INSTRUCTIONS

I. OPERATION FLOW CHART



II. BACKGROUND

Due to improper assembly of the airbag inflator, which is incorporated into the SRS airbag assembly (Side Airbag, Curtain Side Airbag, Driver Knee Airbag or Passenger Knee Airbag), some inflators were produced with an insufficient amount of the heating agents necessary for proper airbag deployment. In this condition, the expansion force of the gas may be insufficient to properly inflate the airbag when the SRS system is activated during a collision.

III. IDENTIFICATION OF AFFECTED VEHICLES

A. AFFECTED VEHICLES WITH REPAIR AND PARTS APPLICATION

• Left Curtain Side Airbag Replacement Only

Year	VIN	Part Description and Part Number	Qty.
2006 GS 300	JTHBH96S965022314	Curtain Side Airbag (LH): 62180-30090	1
		Bolt: 90080-11628	9
		Front Pillar Garnish Clip: 90950-08004	2
	JTHCH96S160011664	Curtain Side Airbag (LH): 62180-30090	1
		Bolt: 90080-11628	9
		Front Pillar Garnish Clip: 90950-08004	2

• Right Curtain Side Airbag Replacement Only

Year	VIN	Part Description and Part Number	Qty.
2006 GS 300	JTHBH96S965002533	Curtain Side Airbag (RH): 62170-30090	1
		Bolt: 90080-11628	9
		Front Pillar Garnish Clip: 90950-08004	2
	JTHCH96S260011673	Curtain Side Airbag (RH): 62170-30090	1
		Bolt: 90080-11628	9
		Front Pillar Garnish Clip: 90950-08004	2
	JTHCH96S860015808	Curtain Side Airbag (RH): 62170-30090	1
		Bolt: 90080-11628	9
		Front Pillar Garnish Clip: 90950-08004	2
	JTHCH96SX60011890	Curtain Side Airbag (RH): 62170-30090	1
		Bolt: 90080-11628	9
		Front Pillar Garnish Clip: 90950-08004	2

• Driver Side Knee Airbag Replacement Only

Year	VIN	Part Description and Part Number	Qty.
2006 GS 300	JTHCH96S760015850	Knee Airbag (Driver Side): 73900-30020-A0	1
2006 GS 430	JTHBN96S665007794	Knee Airbag (Driver Side): 73900-30020-B0	1
	JTHBN96S765008243	Knee Airbag (Driver Side): 73900-30020-C0	1

[Identification of Affected Vehicles Continued...]

• Passenger Side Knee Airbag Replacement Only

Year	VIN	Part Description and Part Number	Qty.
2006 GS 300	JTHBH96S065029636	Knee Airbag (Passenger Side): 73990-30020-A0	1
	JTHBH96S465020504	Knee Airbag (Passenger Side): 73990-30020-A0	1
	JTHBH96SX65020555	Knee Airbag (Passenger Side): 73990-30020-C0	1
	JTHCH96S260011155	Knee Airbag (Passenger Side): 73990-30020-A0	1
	JTHCH96S260013262	Knee Airbag (Passenger Side): 73990-30020-B0	1
	JTHCH96S660011207	Knee Airbag (Passenger Side): 73990-30020-C0	1
2006 GS 430	JTHBN96SX65001741	Knee Airbag (Passenger Side): 73990-30020-B0	1

• Left Side Airbag Replacement Only

Year	VIN	Part Description and Part Number	Qty.
2006 GS 430	JTHBN96S465008779	Side Airbag (LH): 71200-30C00-B2	1

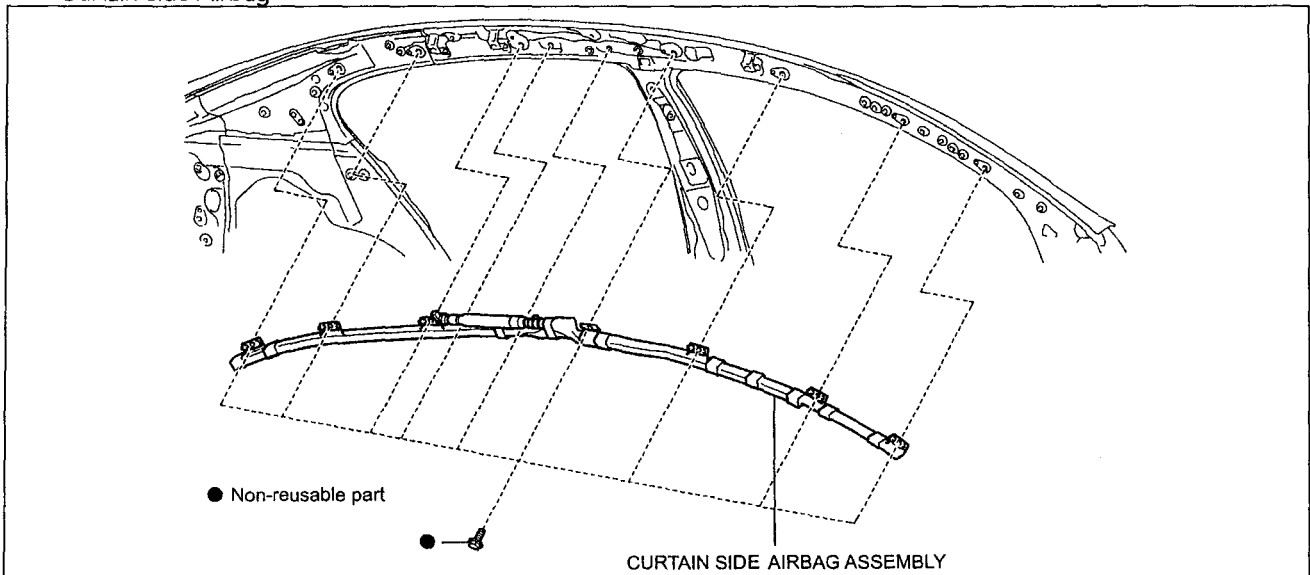
IV. PREPARATION

A. TOOLS

- Standard hand tools
- Nylon pry tools
- Torque Wrench

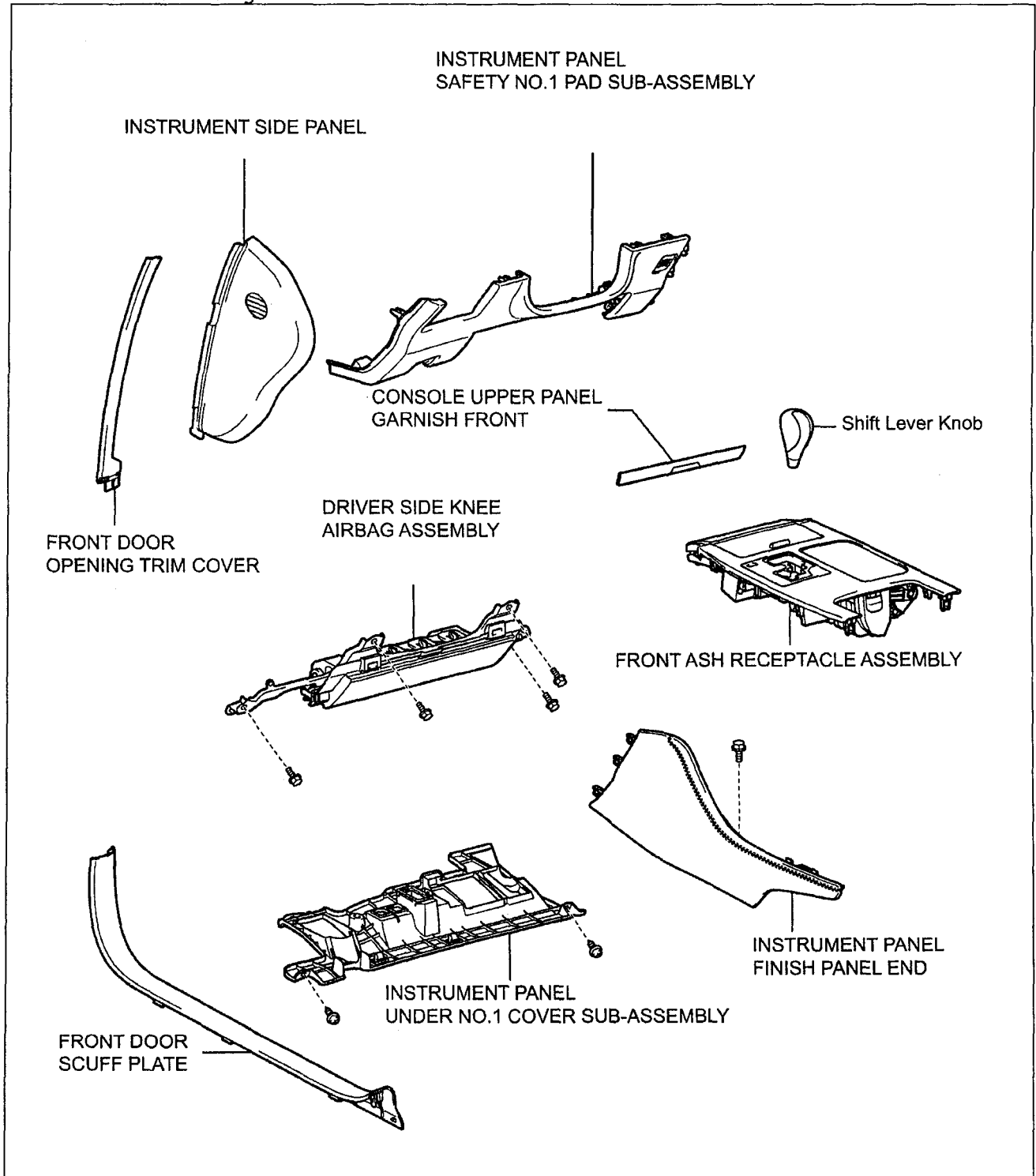
V. COMPONENTS

- Curtain Side Airbag



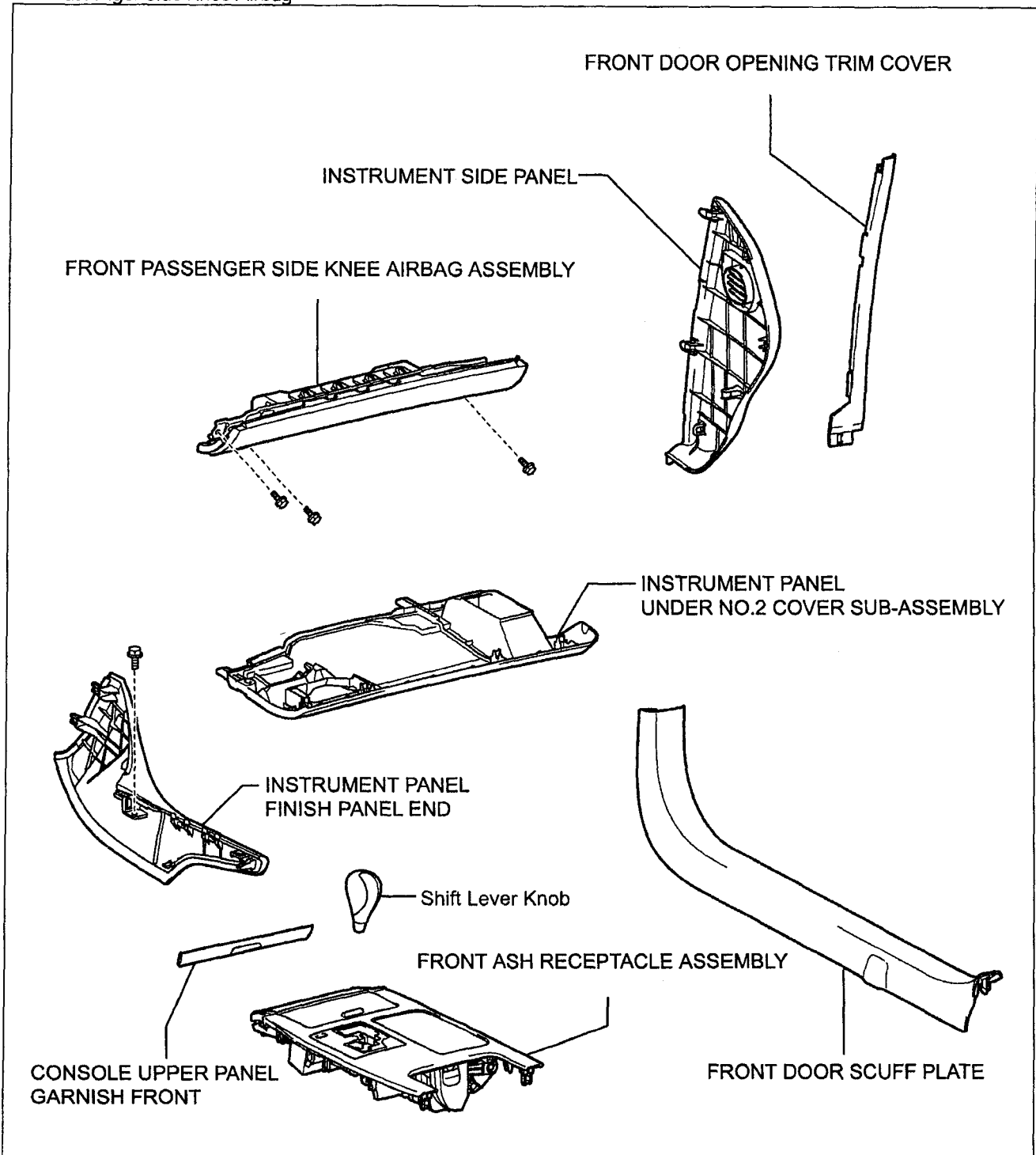
[Components Continued...]

- Driver Side Knee Airbag



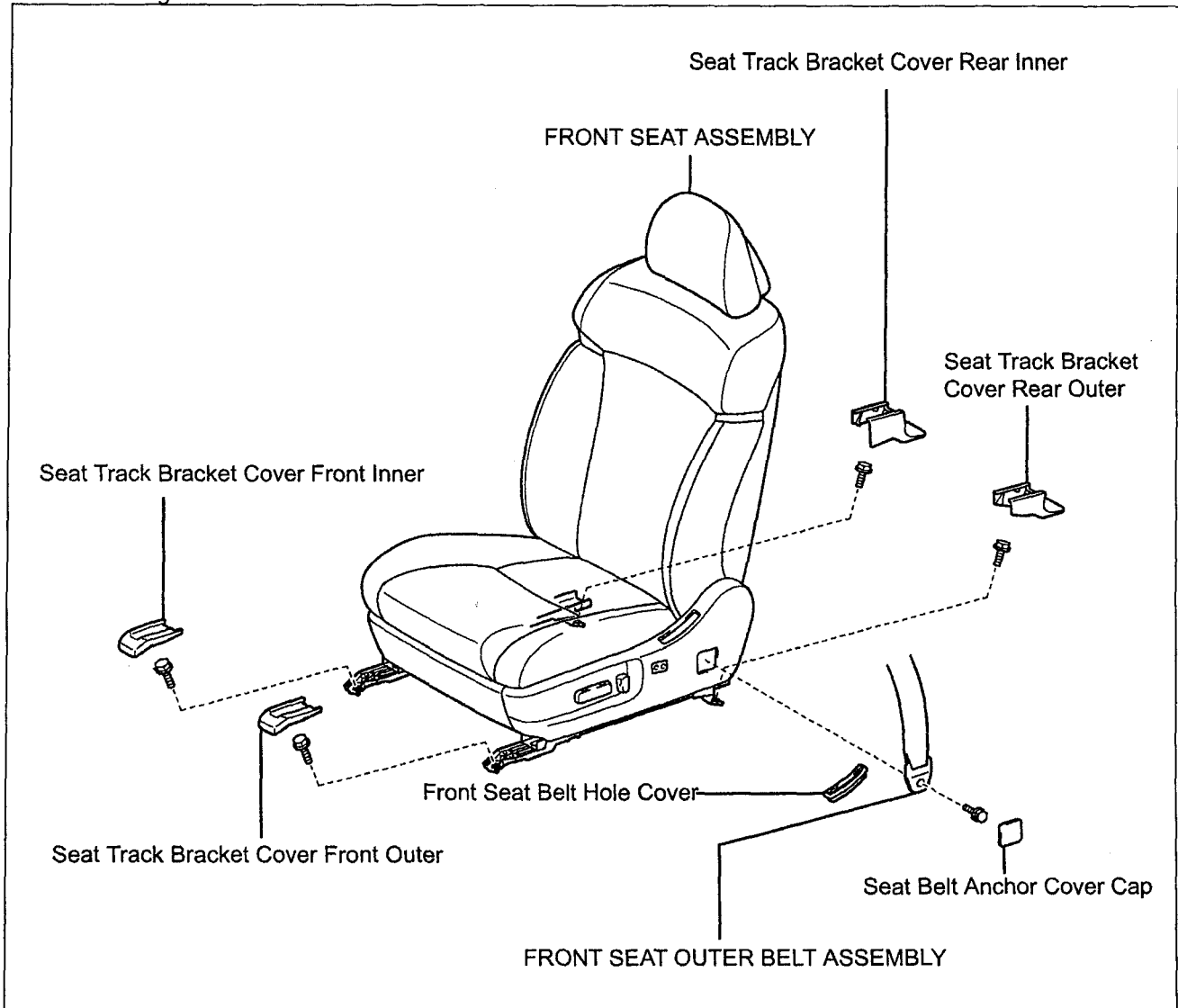
[Components Continued...]

• Passenger Side Knee Airbag



[Components Continued...]

- Side Airbag



VI. WORK PROCEDURE

NOTE:

Before beginning any work, read and follow ALL the precautions listed in the Supplemental Restraint System: Airbag System: Precaution section of the appropriate Repair Manual for the vehicle you are working on.

NOTE:

Remember to wait at least 90 seconds after the engine switch is turned off and the negative (-) terminal cable is disconnected from the battery before starting work on the SRS system. (The SRS is equipped with a backup power source, so that if work is started within 90 seconds after disconnecting the negative (-) terminal cable of the battery, the SRS may be deployed).

NOTE:

When repairs are complete, inspect the operation of the SRS warning light. Confirm that it goes off approximately 6 seconds after the ignition switch is turned on.

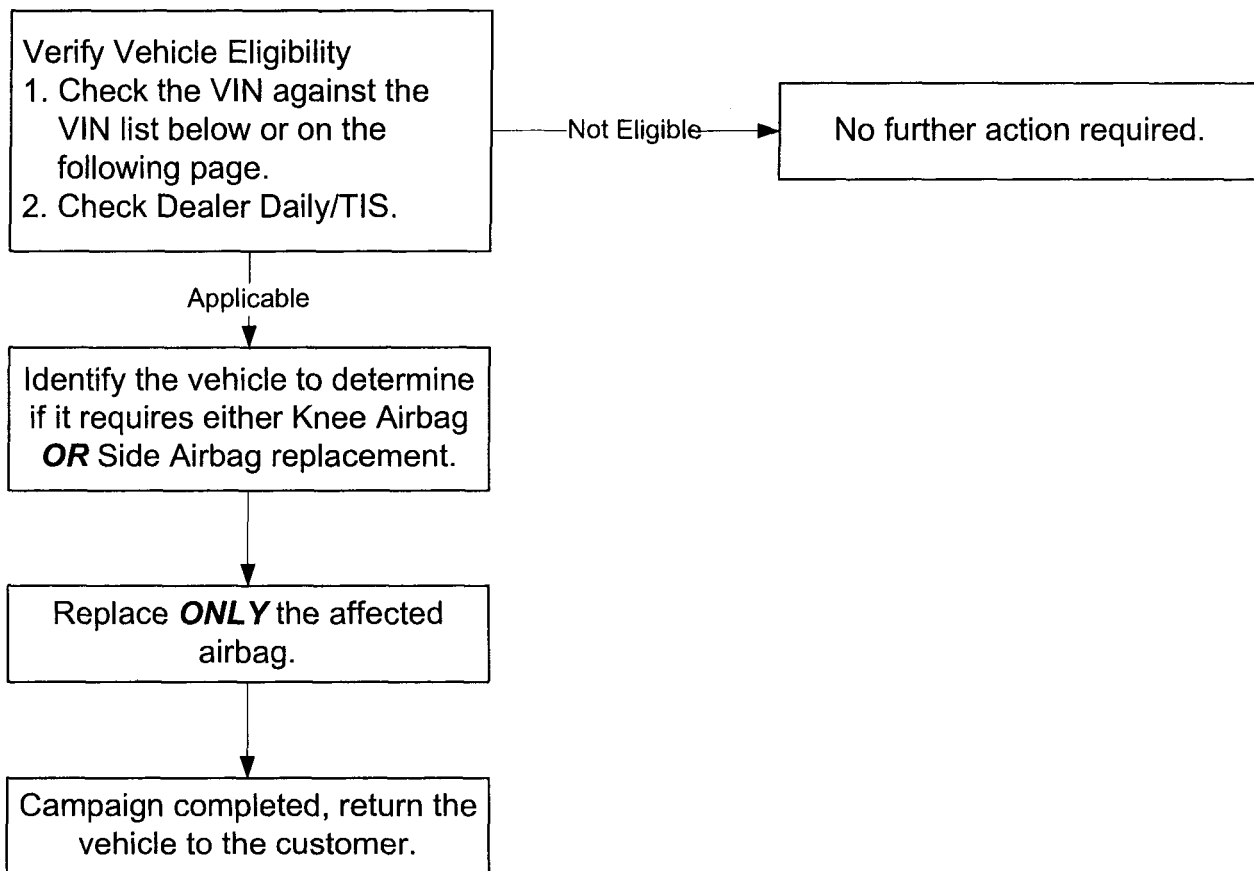
- CURTAIN SIDE AIRBAG REPLACEMENT PROCEDURE
 - A. Replace the curtain side airbag following the procedures outlined in the Supplemental Restraint System section of the appropriate Repair Manual for the vehicle you are working on.
- DRIVER SIDE KNEE AIRBAG REPLACEMENT PROCEDURE
 - A. Replace the driver knee airbag following the procedures outlined in the Supplemental Restraint System: Driver Side Knee Airbag Assembly section of the appropriate vehicle Repair Manual for the vehicle you are working on.
- PASSENGER SIDE KNEE AIRBAG REPLACEMENT PROCEDURE
 - A. Replace the passenger knee airbag following the procedures outlined in the Supplemental Restraint System: Front Passenger Side Knee Airbag Assembly section of the appropriate vehicle Repair Manual for the vehicle you are working on.
- SIDE AIRBAG REPLACEMENT PROCEDURE
 - A. Replace the side airbag following the procedures outlined in the Seat: Front Seat Assembly section of the appropriate vehicle Repair Manual for the vehicle you are working on.

NOTE:

To replace the side airbag, the entire seat must be replaced.

LS 430
AIRBAG REPLACEMENT INSTRUCTIONS

I. OPERATION FLOW CHART



II. BACKGROUND

Due to improper assembly of the airbag inflator, which is incorporated into the SRS airbag assembly (Side Airbag, Curtain Side Airbag, Driver Knee Airbag or Passenger Knee Airbag), some inflators were produced with an insufficient amount of the heating agents necessary for proper airbag deployment. In this condition, the expansion force of the gas may be insufficient to properly inflate the airbag when the SRS system is activated during a collision.

III. IDENTIFICATION OF AFFECTED VEHICLES

B. AFFECTED VEHICLES WITH REPAIR AND PARTS APPLICATION

• Driver Side Knee Airbag Replacement Only

Year	VIN	Part Description and Part Number	Qty.
2004 LS 430	JTHBN36F940164567	Knee Airbag (Driver Side): 73900-50010-A1	1
	JTHBN36F540164548	Knee Airbag (Driver Side):73900-50010-A1	1
	JTHBN36F640164560	Knee Airbag (Driver Side):73900-50010-A1	1
	JTHBN36FX40162598	Knee Airbag (Driver Side):73900-50010-B0	1
2005 LS 430	JTHBN36F455007324	Knee Airbag (Driver Side):73900-50010-A1	1
	JTHBN36F755011447	Knee Airbag (Driver Side):73900-50010-B0	1
2006 LS 430	JTHBN36F865033071	Knee Airbag (Driver Side):73900-50010-A0	1
	JTHBN36FX65033041	Knee Airbag (Driver Side):73900-50010-A1	1
	JTHBN36F365041501	Knee Airbag (Driver Side):73900-50010-A1	1
	JTHBN36F765033031	Knee Airbag (Driver Side):73900-50010-A1	1
	JTHBN36F665033019	Knee Airbag (Driver Side):73900-50010-B0	1
	JTHBN36F765032994	Knee Airbag (Driver Side):73900-50010-C0	1
	JTHBN36F365041515	Knee Airbag (Driver Side):73900-50010-C0	1

• Passenger Side Knee Airbag Replacement Only

Year	VIN	Part Description and Part Number	Qty.
2004 LS 430	JTHBN36F340132181	Knee Airbag (Passenger Side): 73990-50011-A1	1
	JTHBN36F540134272	Knee Airbag (Passenger Side): 73990-50011-A1	1
	JTHBN36F640138640	Knee Airbag (Passenger Side): 73990-50011-A1	1
2005 LS 430	JTHBN36F955011286	Knee Airbag (Passenger Side): 73990-50011-A1	1
2006 LS 430	JTHBN36F065033257	Knee Airbag (Passenger Side): 73990-50011-A0	1
	JTHBN36F665041511	Knee Airbag (Passenger Side): 73990-50011-B0	1
	JTHBN36F765031909	Knee Airbag (Passenger Side): 73990-50011-A0	1
	JTHBN36F765037631	Knee Airbag (Passenger Side): 73990-50011-A1	1

• Left Side Airbag Replacement Only

Year	VIN	Part Description and Part Number	Qty.
2004 LS 430	JTHBN36F440165626	Side Airbag (LH): 71200-50C30-C1	1

• Right Side Airbag Replacement Only

Year	VIN	Part Description and Part Number	Qty.
2006 LS 430	JTHBN36FX65033539	Side Airbag (RH): 71100-50A10-A1	1

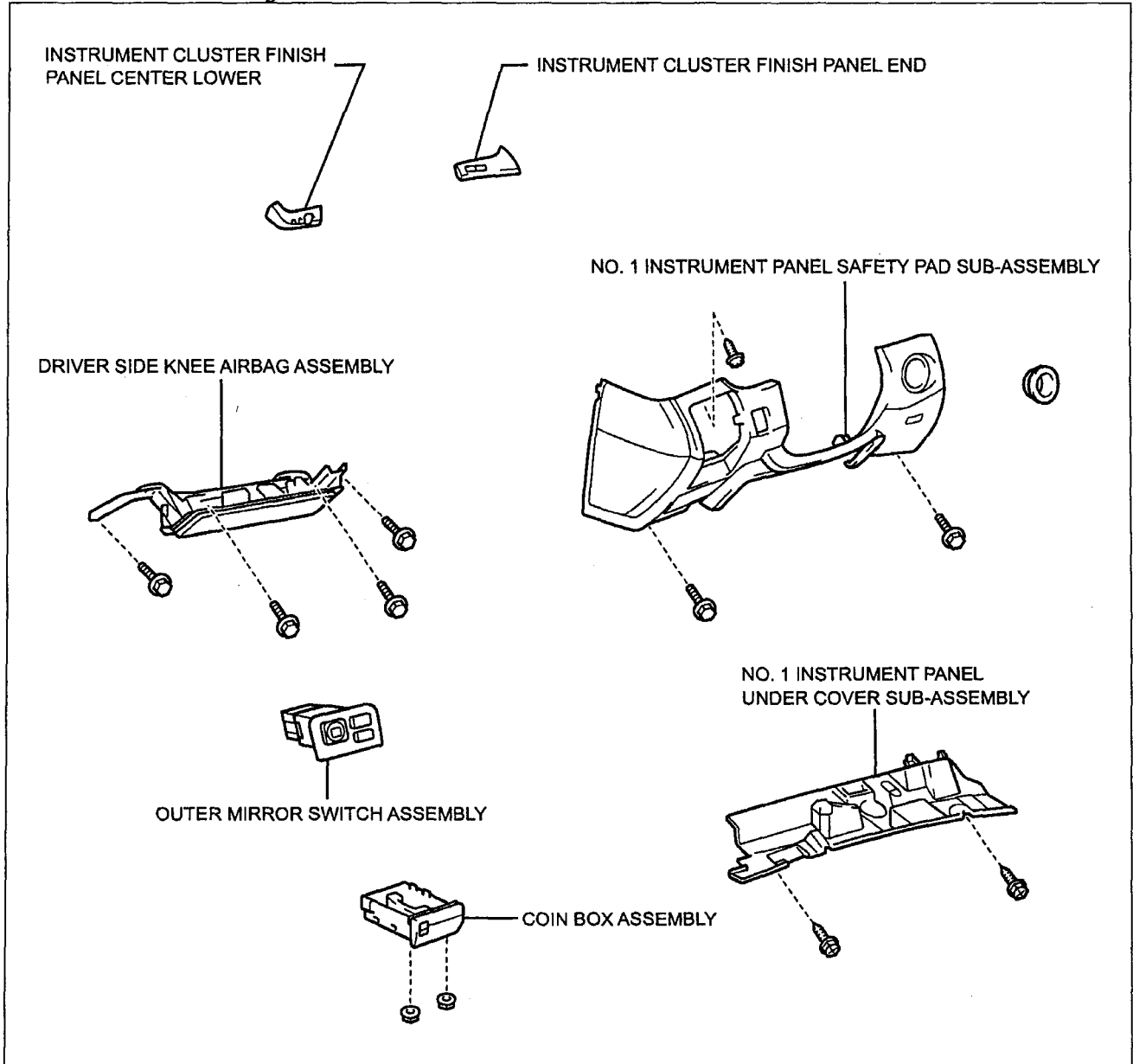
IV. PREPARATION

A. TOOLS

- Standard hand tools
- Nylon pry tools
- Torque wrench

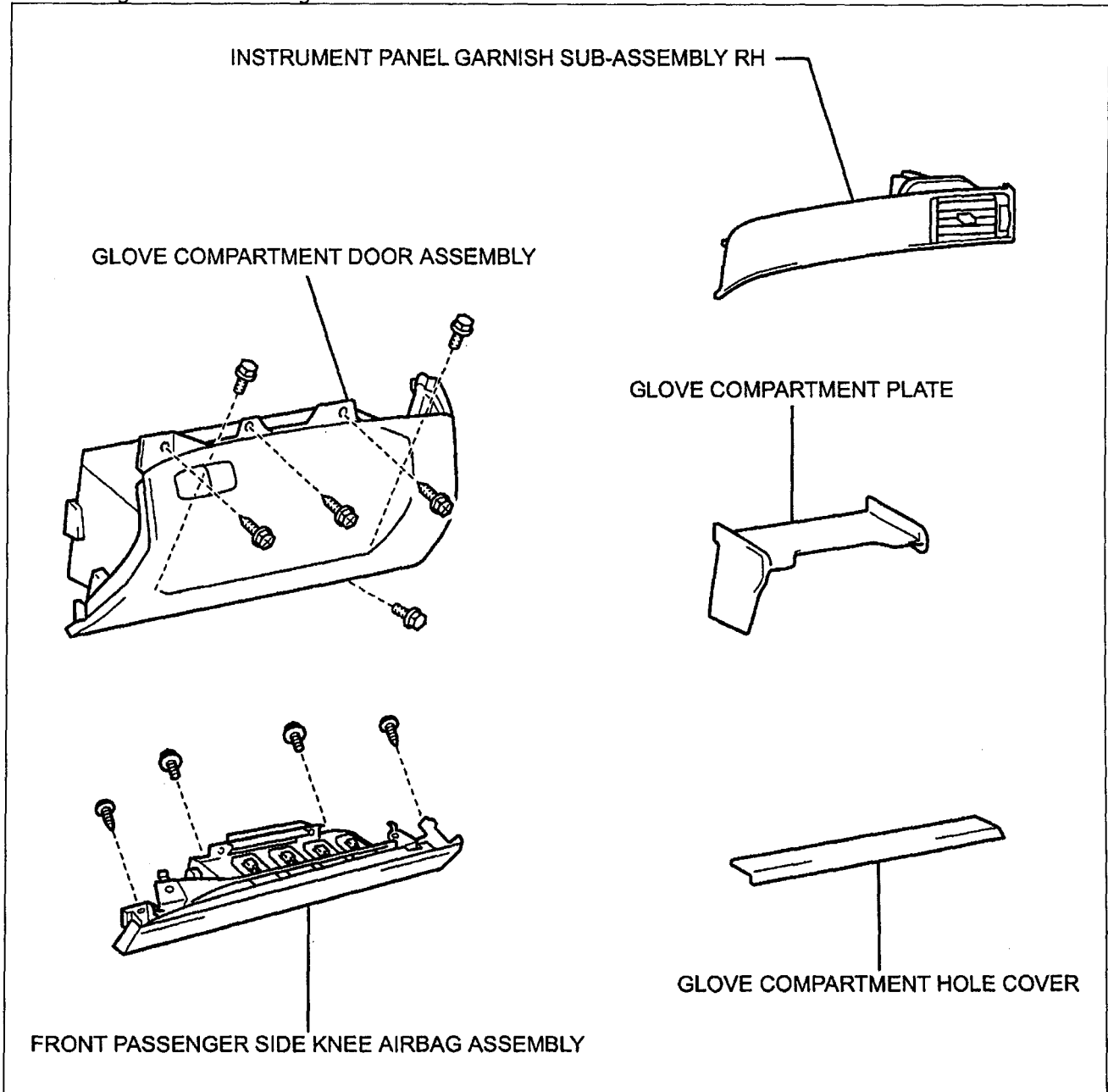
V. COMPONENTS

- Driver Side Knee Airbag



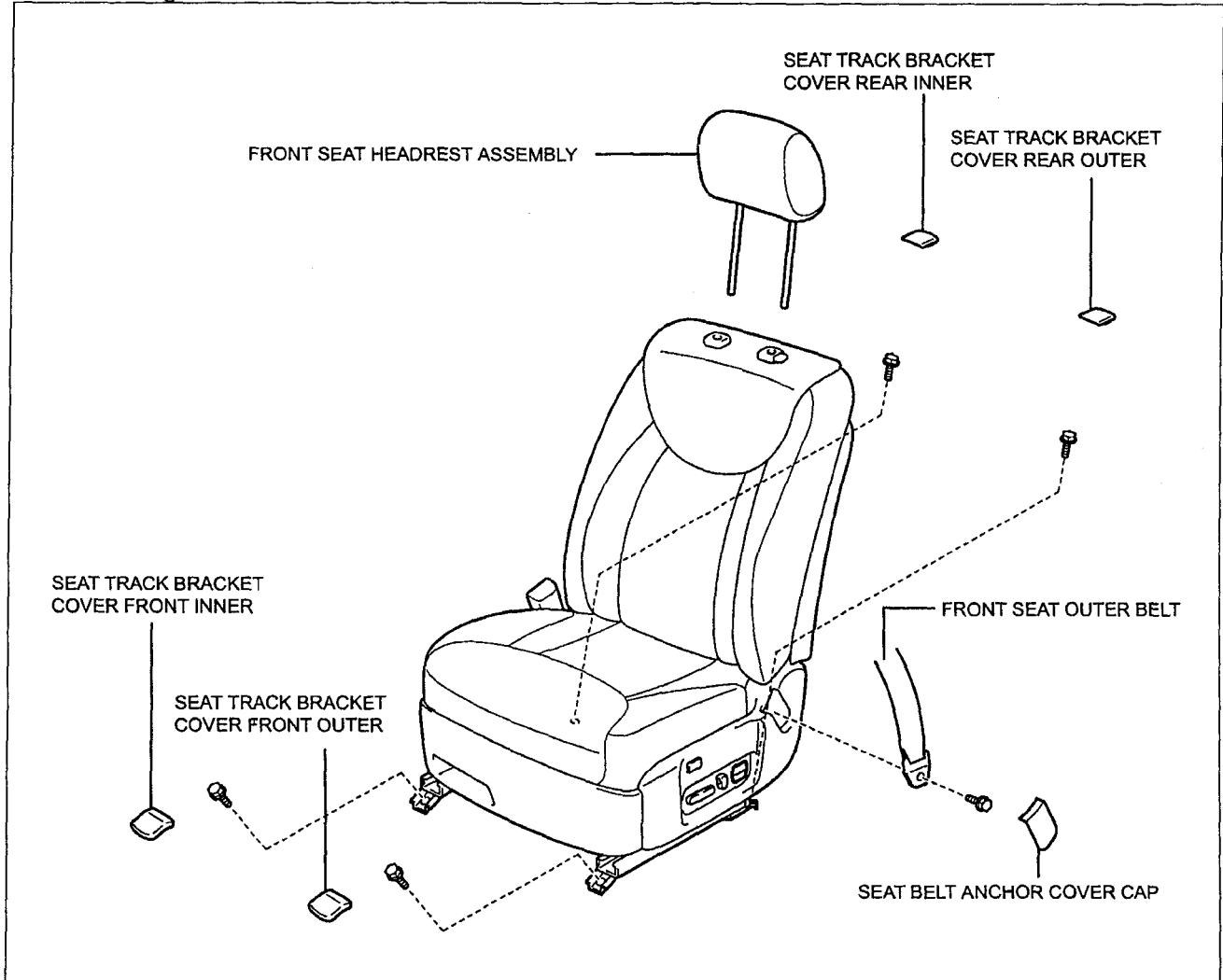
[Components Continued...]

- Passenger Side Knee Airbag



[Components Continued...]

• Side Airbag



VI. WORK PROCEDURE

NOTE:

Before beginning any work, read and follow ALL the precautions listed in the Supplemental Restraint System: Supplemental Restraint System: Precaution section of the appropriate Repair Manual for the vehicle you are working on.

NOTE:

Remember to wait at least 90 seconds after the engine switch is turned off and the negative (-) terminal cable is disconnected from the battery before starting work on the SRS system. (The SRS is equipped with a backup power source, so that if work is started within 90 seconds after disconnecting the negative (-) terminal cable of the battery, the SRS may be deployed).

NOTE:

When repairs are complete, inspect the operation of the SRS warning light. Confirm that it goes off approximately 6 seconds after the ignition switch is turned on.

- DRIVER SIDE KNEE AIRBAG REPLACEMENT PROCEDURE
 - A. Replace the driver knee airbag following the procedures outlined in the Supplemental Restraint System: Instrument Panel Air Bag Assy Lower No. 1 section of the appropriate vehicle Repair Manual for the vehicle you are working on.
- PASSENGER SIDE KNEE AIRBAG REPLACEMENT PROCEDURE
 - A. Replace the passenger knee airbag following the procedures outlined in the Supplemental Restraint System: Instrument Panel Air Bag Assy Lower No. 2 section of the appropriate vehicle Repair Manual for the vehicle you are working on.
- SIDE AIRBAG REPLACEMENT PROCEDURE
 - A. Replace the side airbag following the procedures outlined in the Seat: Front Seat Assy section of the appropriate vehicle Repair Manual for the vehicle you are working on.

NOTE:

To replace the side airbag, the entire seat must be replaced.

UNDEPLOYED AIRBAG DISPOSAL INSTRUCTIONS

Undeployed airbags are considered hazardous waste that must be disposed of in the proper manner according to local, state, and federal regulations for hazmat waste. In most states the undeployed airbag will need to be picked up for disposal by a Hazmat disposal company.