

# NISSAN

---

**NISSAN NORTH AMERICA, INC.**

Corporate Office  
18501 South Figueroa St.  
Gardena, California 90248-4500

Mailing Address: P.O. Box 191  
Gardena, California 90248-0191

Telephone: 310.532.3111

February 17, 2006

Mr. George Person  
Chief, Recall Analysis Division  
Office of Defects Investigation  
Safety Assurance  
National Highway Traffic Safety Administration  
400 Seventh Street, S.W.  
Washington, D.C. 20590

Ref: 06V-046

Dear Mr. Person:

The enclosed communication is being provided pursuant to 49 CFR Part 573.6(c)(9).

Technical Compliance Department

Encl.

016V-01/06

Subject: 2006 Altima/Maxima Rear Suspension Member Replacement

Attention – Dealer Principals and Service Managers

Nissan has determined that the rear suspension member on a few 2006 Maximas and Altimas may have been incorrectly manufactured.

Please place the affected vehicles on "sales hold" until repaired. The VIN information of the affected vehicles will be available on NNAnet.com under My Documents in the Parts/Campaigns and Service/Campaigns categories.

\*\*\*\*\*Interim Repair Instructions\*\*\*\*\*

Interim repair instructions will be available on NNAnet.com under My Documents in the Parts/Campaigns and Service/Campaigns categories.

\*\*\*\*\*Warranty Information\*\*\*\*\*

Please use the following warranty claim information for the 2006 models only.

PNC: PB016

Op Code: PB0160 REPLACE REAR SUSPENSION MEMBER (WITH ABS) 2.7HRS

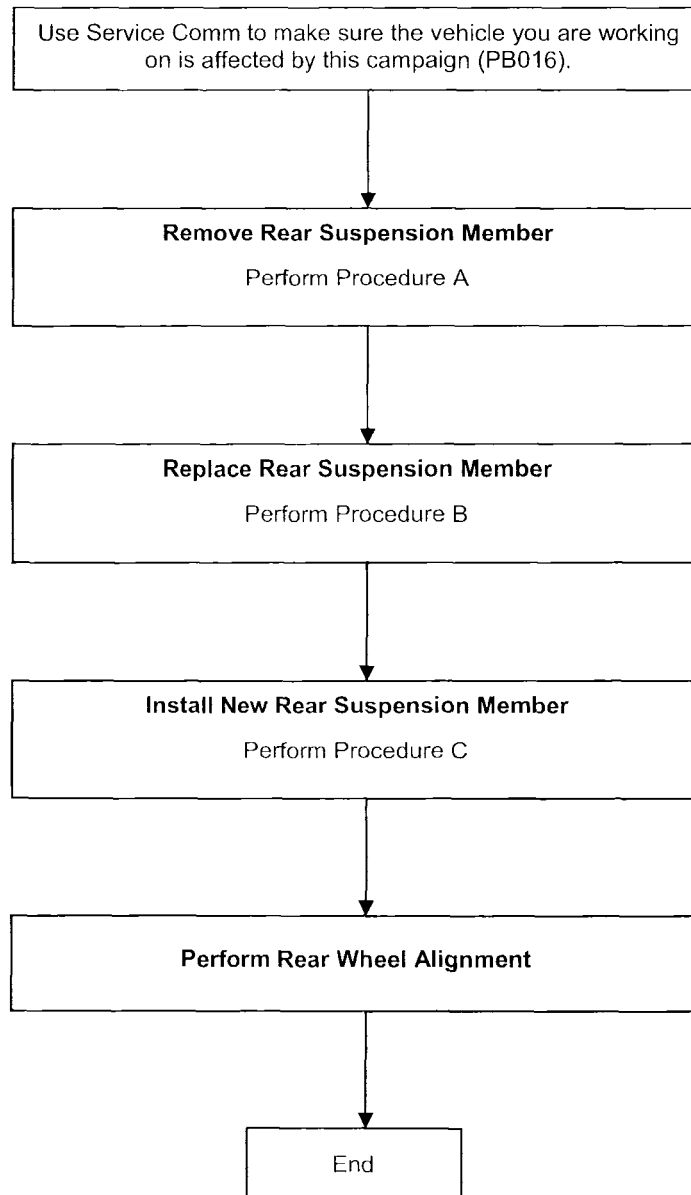
PB0161 REPLACE REAR SUSPENSION MEMBER (W/O ABS) 2.6HRS

If you have any additional questions related to this campaign, please contact your Dealer Parts and Service Manager (DPSM).  
Nissan Parts and Service Operations  
2/01/06

# INTERIM REPAIR INSTRUCTIONS

## 2006 MY ALTIMA / MAXIMA REAR SUSPENSION MEMBER REPLACEMENT (PB016)

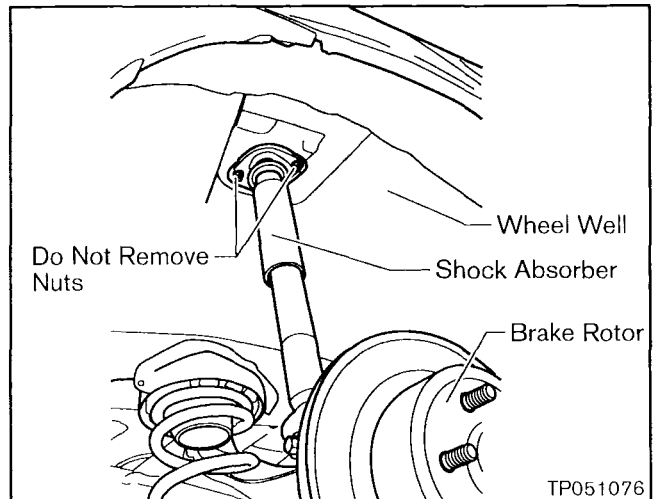
### REPAIR FLOW CHART



## Important Service Tips

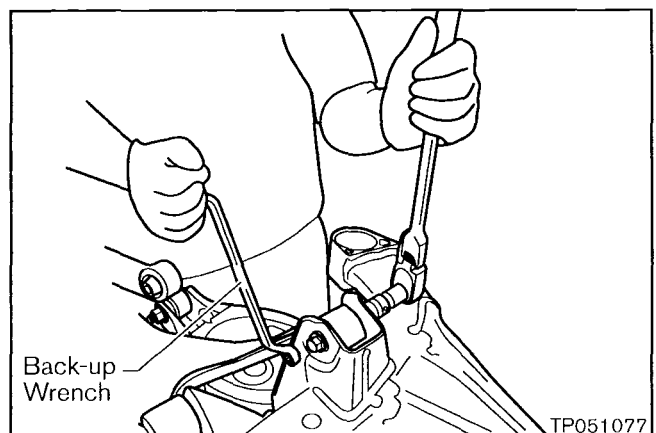
To ensure a quality repair, use the following service tips when performing the procedures in this bulletin.

- Do NOT remove the shock absorbers from the two studs at the top of the wheel. Instead, remove the single bolt at the bottom of the shock absorber.



- Included in the rear suspension member kit is a bag that contains an exhaust gasket and eight nuts. Make sure to find and retrieve this bag from the kit box.

- Use a “back up” wrench at all times when removing or tightening fasteners that use a nut and a bolt. This is especially important when tightening the alignment eccentrics.



- Make sure all fasteners are tightened to the correct torque specification.

**Important Service Tips**

## PROCEDURE A: Remove Rear Suspension Member/Suspension Components

**CAUTION:** Use suitable covers to protect upholstery, carpet, trim, paint, etc. when performing this procedure.

Use this procedure to remove the original rear suspension member.

1. From inside the vehicle, release the parking brake cable tension as follows:

- a. Remove the console finisher by carefully prying UP with a plastic pry tool to release the securing clips.

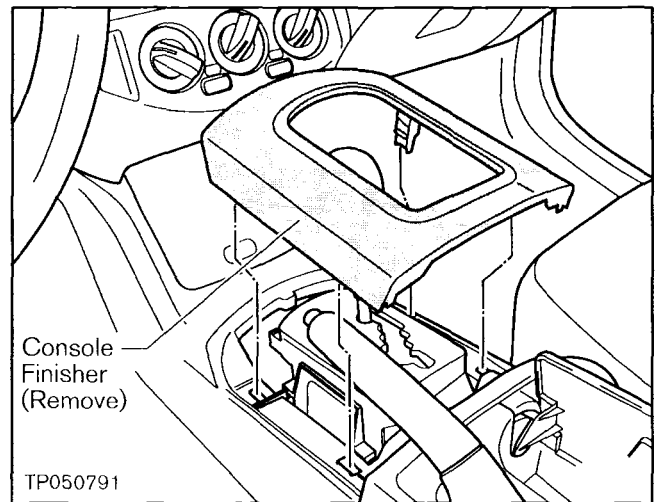


Figure A1

- b. Remove the center console finisher by carefully lifting UP to release the securing clips (see Figure A2).

  - Disconnect all harness connectors from the finisher.

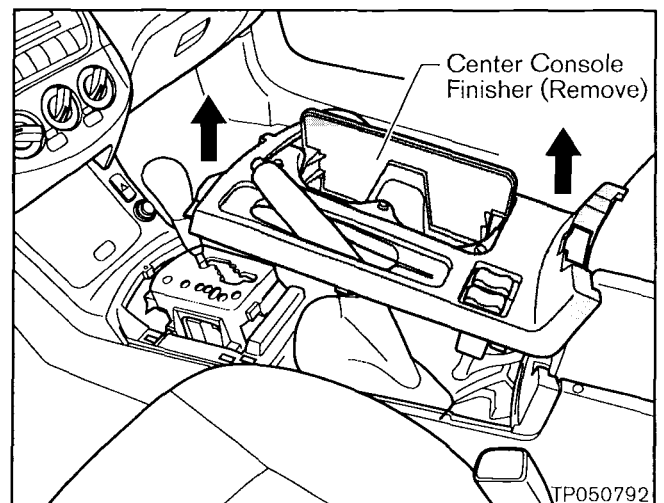


Figure A2

## Procedure A

- c. Turn the cable tension adjustment nut counter-clockwise (left) to release the parking brake cable tension (see Figure A3a). Then disconnect the parking brake cables from the equalizer bar (see Figure A3b).

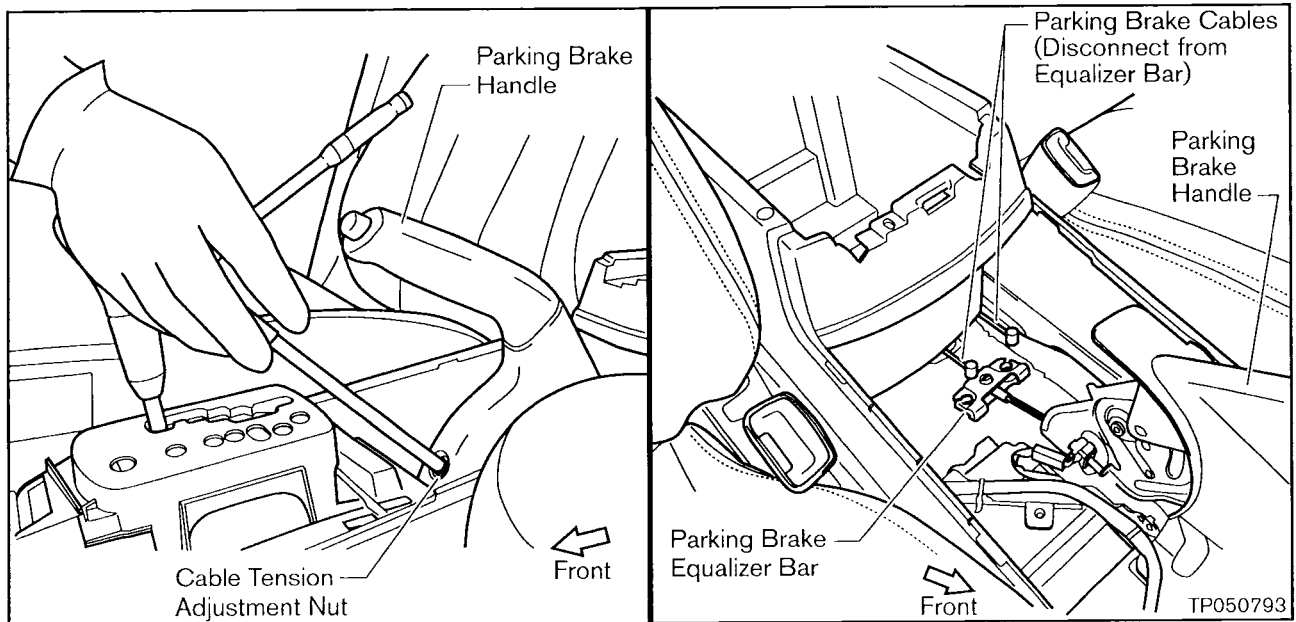


Figure A3a

Figure A3b

2. Raise vehicle on lift and remove both rear wheels/tires.

3. Remove the exhaust system as follows:

- a. Remove two nuts that hold the center exhaust pipe/muffler to the catalytic converter (see Figure A4).

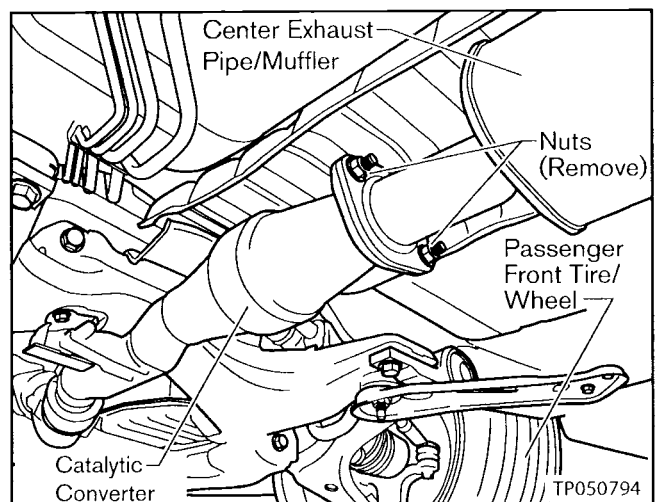


Figure A4

## Procedure A

**Vehicles With QR25DE Engine  
("single exhaust"):**

- b. Remove three nuts and disconnect the rear muffler from the mounting bracket (see Figure A5).
  - Note the location of the ground strap on the muffler. It needs to go back in the same place.

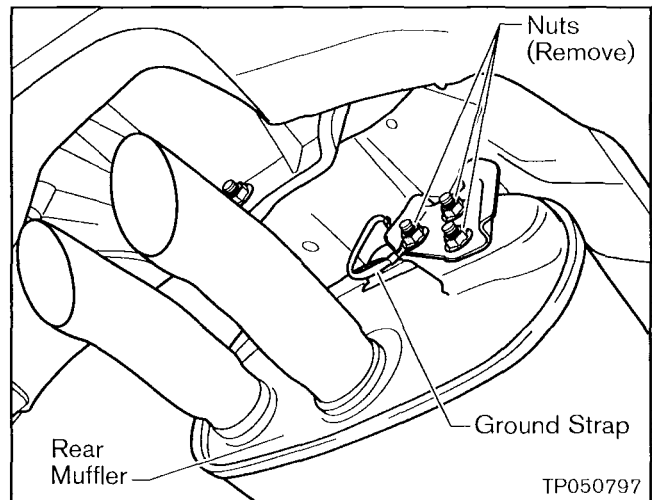


Figure A5

**Vehicles With VQ35DE Engine ("dual exhaust"):**

- c. Remove six nuts and disconnect the rear mufflers from the mounting brackets (see Figure A6).
  - Note the location of the ground strap on the passenger side (RH) muffler. It needs to go back in the same place.

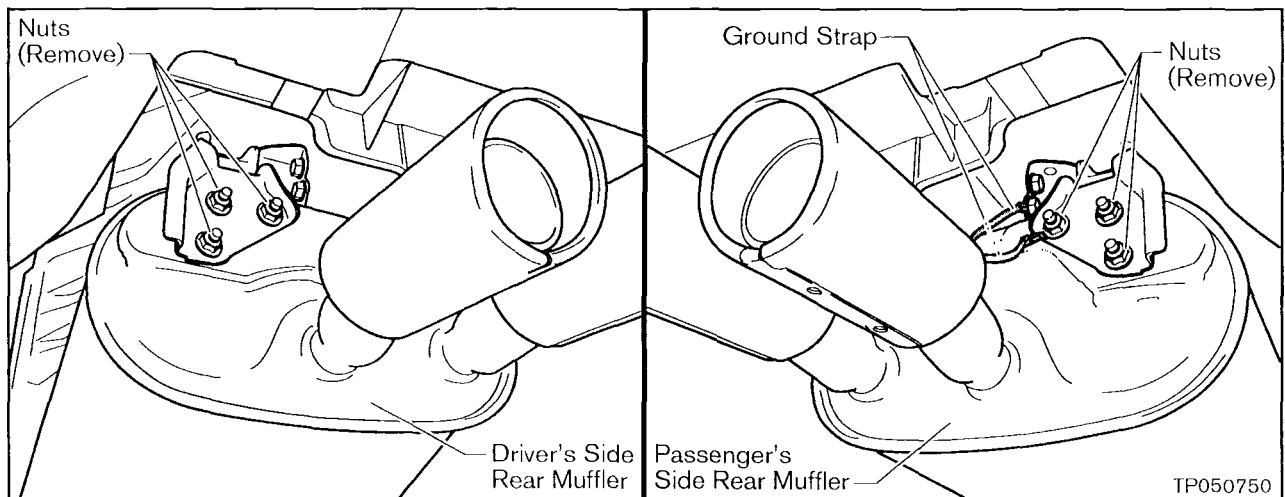


Figure A6

- d. Remove two nuts and take off the exhaust pipe hanger from the rear suspension member (see Figure A7).

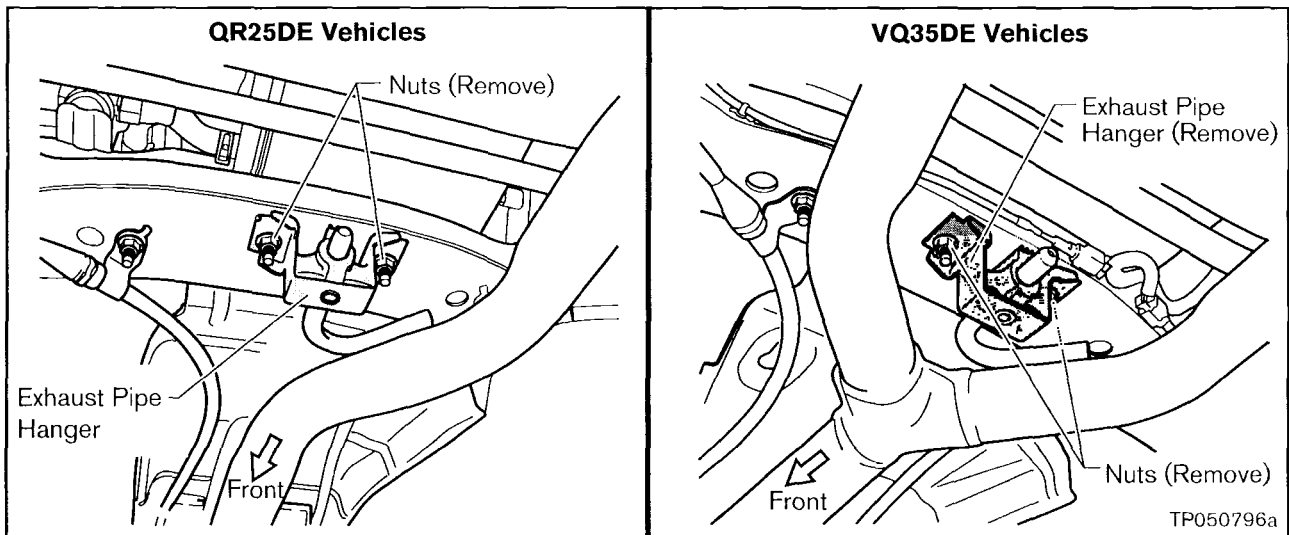


Figure A7

- e. Remove four nuts and take off the center cross brace (see Figure A8).

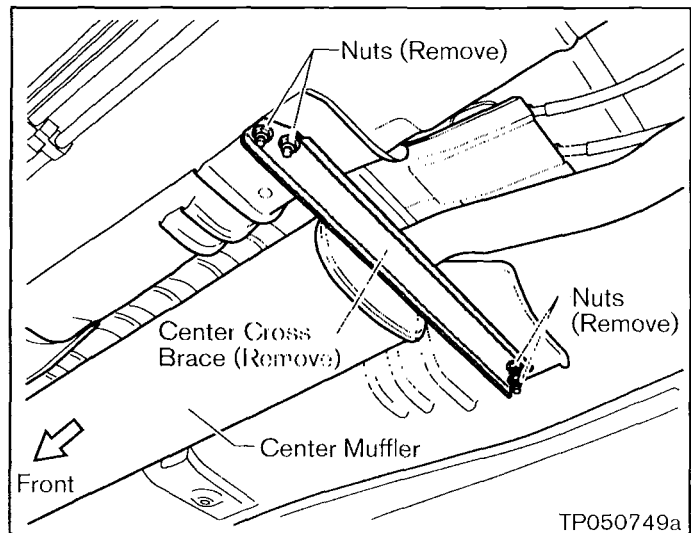


Figure A8

- f. Carefully lower the exhaust system from the vehicle and place it in a safe location.

## Procedure A



4. Remove the rear brake calipers and rotors as follows:
- Remove the two bolts that hold the rear caliper bracket (torque member).
  - Move the caliper and bracket assembly out of the way of the rotor. Then use a piece of "support" wire to hang it from the brake hose bracket.

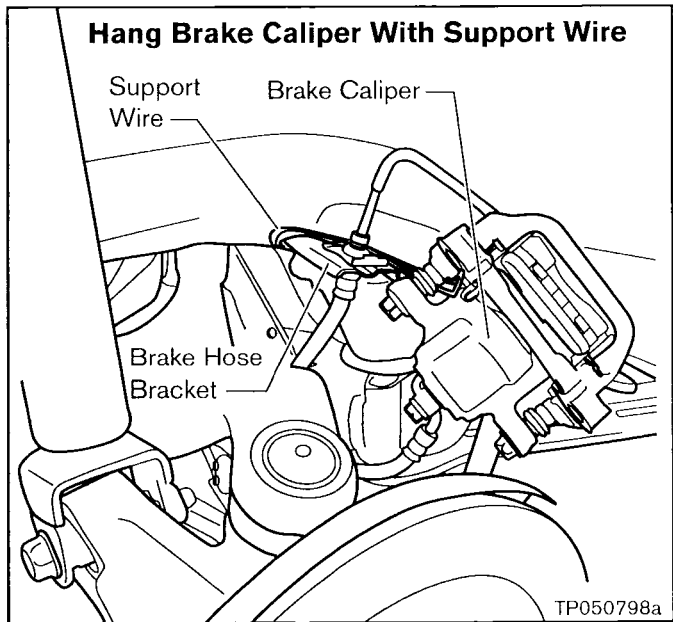


Figure A9

- Remove the rear brake rotor, making sure you:
  - Mark the rotor with "R" or "L".
  - Index the rotor to a stud.
- Use this procedure to also remove the driver's side (LH) rear rotor.

**IMPORTANT:** The rotors must be re-installed in exactly the same location/position.

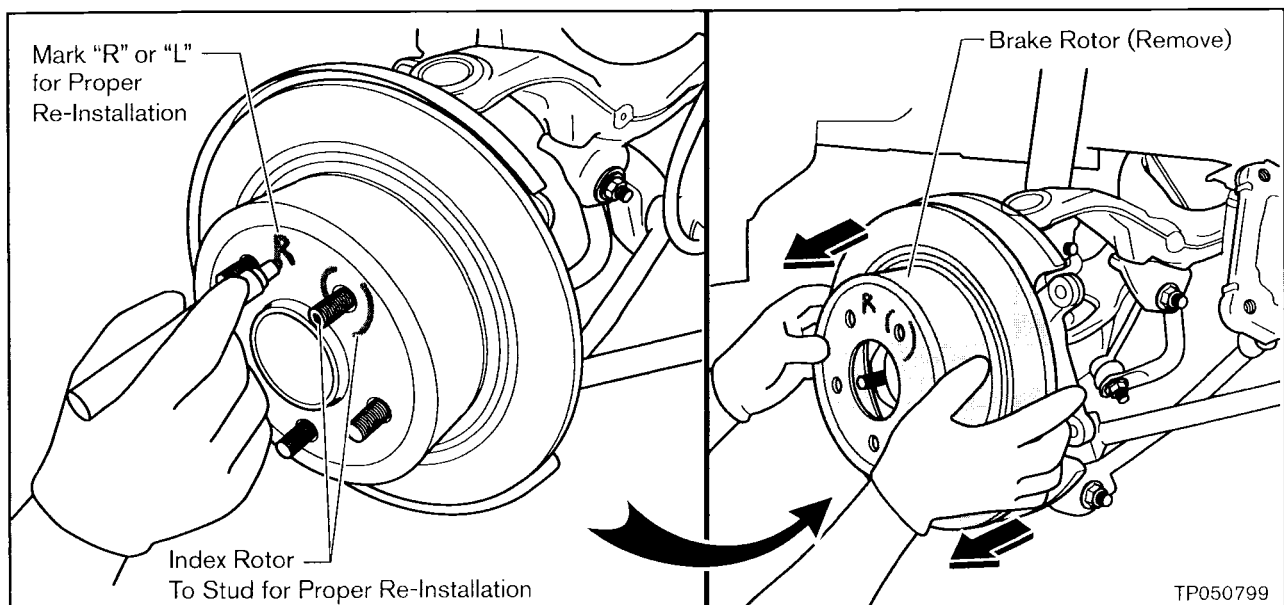


Figure A10

5. Disconnect the parking brake cables from the rear knuckles as follows:

- a. Pull the parking brake cable pin retainer OUT towards the hub/wheel studs (see Figure A11).
- b. Then, use a magnet or other suitable tool to remove the pin from the bottom side of the parking brake cable end (see Figure A11). Be careful not to drop/lose the pin.

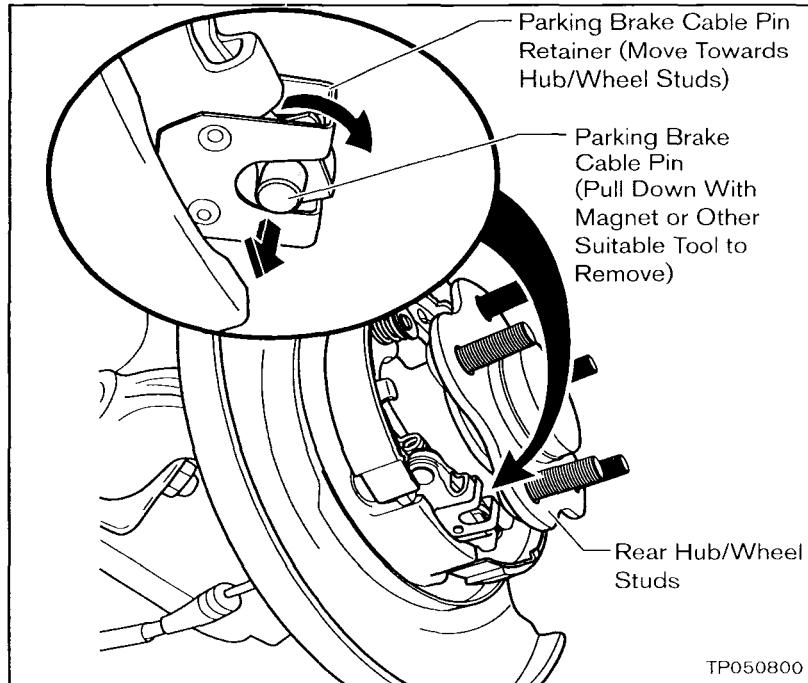


Figure A11

- c. Finally, remove the bolt and remove the parking brake cable from the back side of the knuckle (see Figure A12).
- d. Do the same procedure to remove the cable from the driver's (LH) side knuckle.

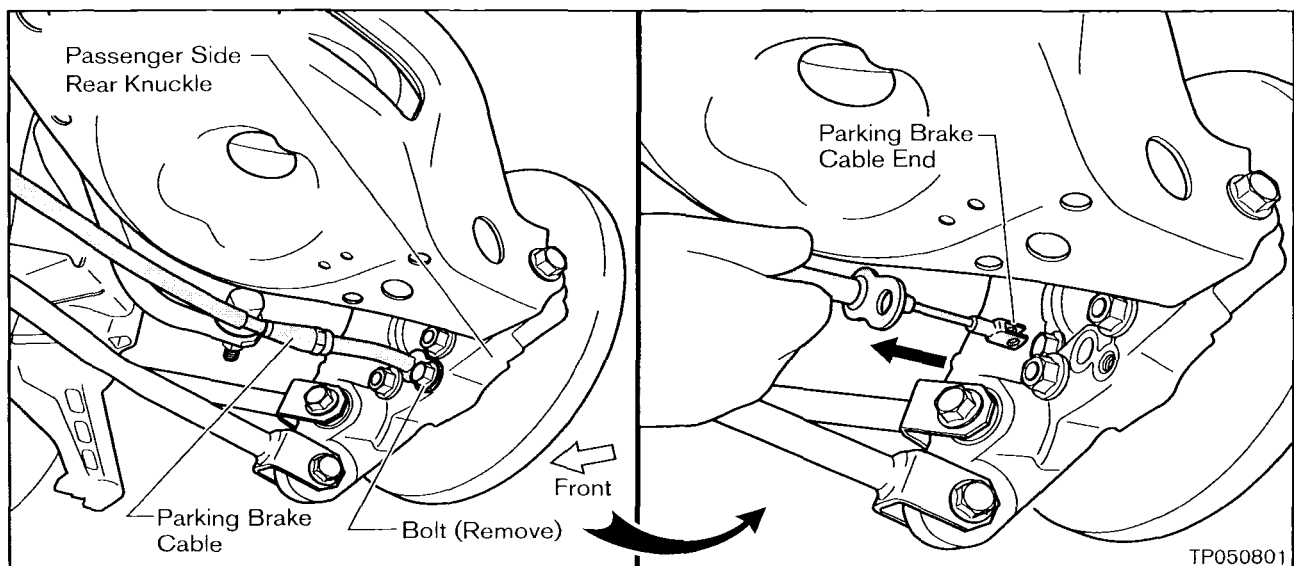


Figure A12

## Procedure A

6. Remove the parking brake cables from the rear suspension member (see Figure A13). Let the cables hang down freely.

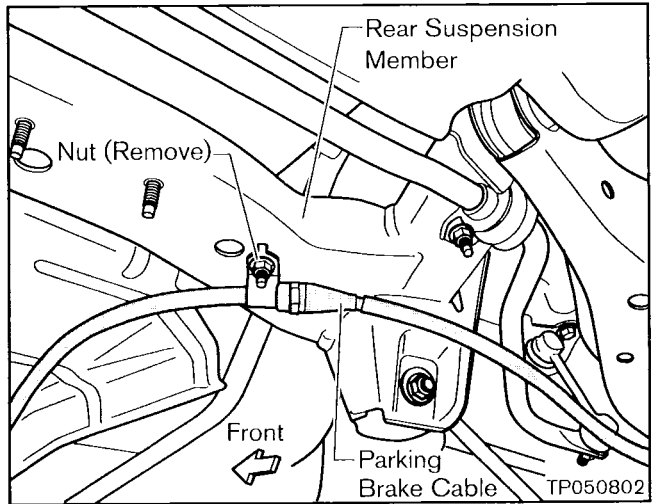


Figure A13

7. Support the lower rear control arm and remove the shock absorber lower mounting Bolt (see Figure A14). Do this procedure on both sides.

**NOTE:** Do not remove the shock absorbers from the two studs at the top of the wheel well. Instead, remove the single bolt at the bottom of the shock absorber.

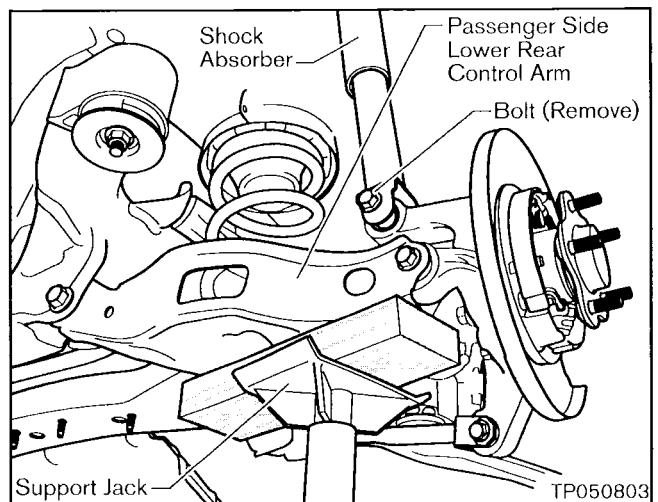


Figure A14

## Procedure A

8. Remove the two front bolts from the right and left "stay" brackets (see Figure A15).

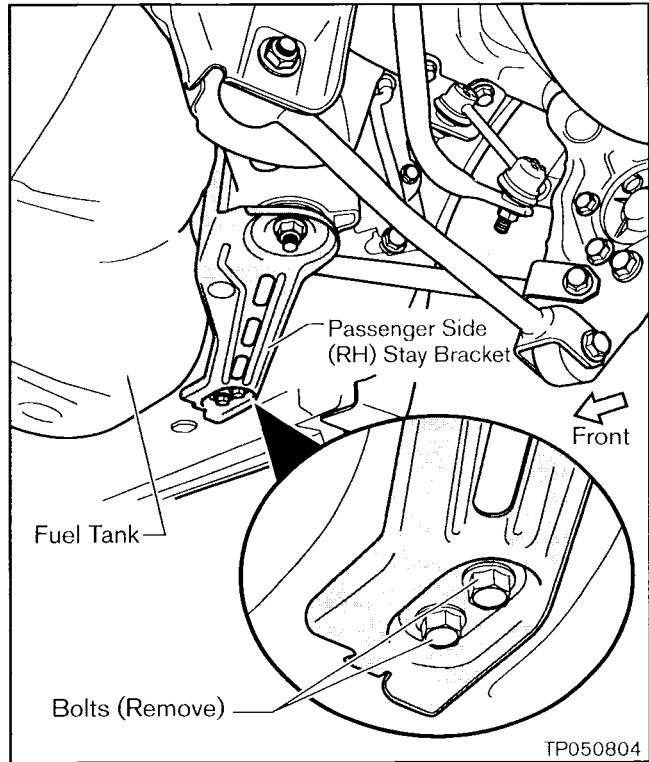


Figure A15

9. Disconnect the two ABS harness connectors from the back side of the rear suspension member (if equipped). See Figure A16.
- Remove the ABS body-side harness tie wrap from the rear suspension member.

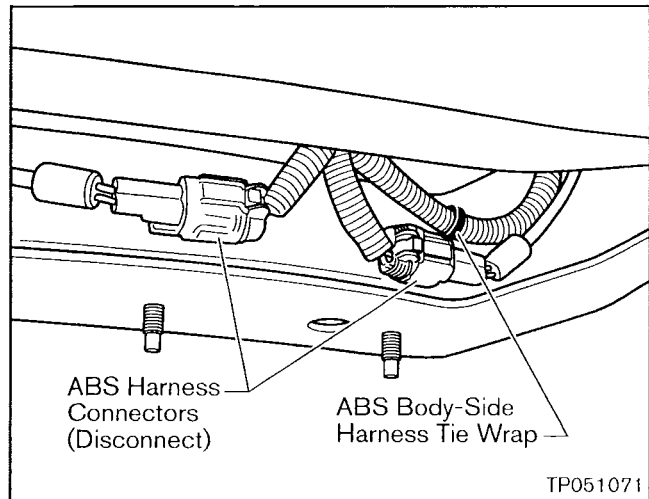


Figure A16

## Procedure A

10. Support the rear suspension member with the special tool transmission jack adapter J-47326 and transmission jack (see Detail View A). Then, place a support jack under the front frame member (see Detail View B). The support jack will help balance the vehicle on the lift once the rear suspension member is removed.

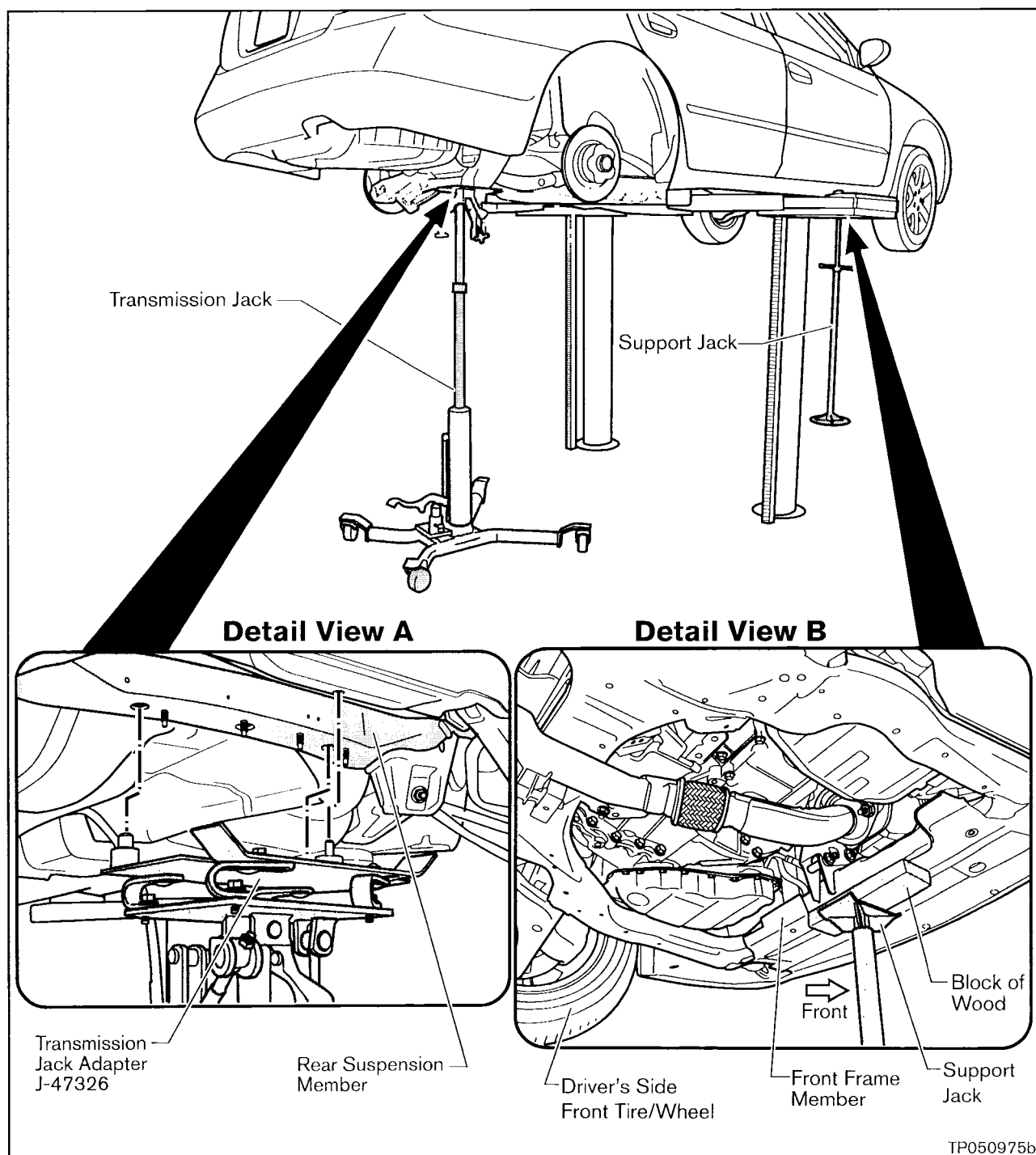


Figure A17

TP050975b

11. Remove the four main suspension member mounting nuts and the LH/RH stay brackets (see Figure A18).

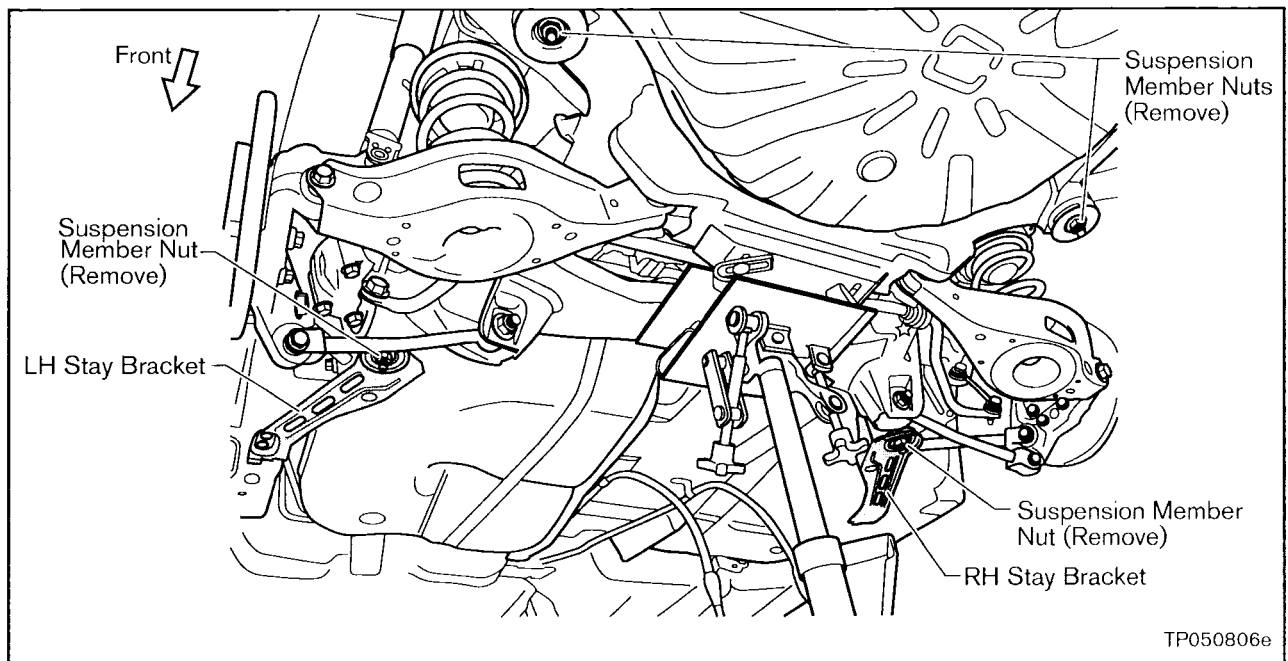


Figure A18

12. Carefully lower the rear suspension member out of the vehicle.

**NOTE:** If needed, carefully use a pry bar to “work” the suspension member loose from the four main suspension member mounting studs.

## PROCEDURE B: Replace Rear Suspension Member

1. Remove the rear suspension member from the transmission jack and place it on a sturdy work surface.
  - Use two people to perform the above step.

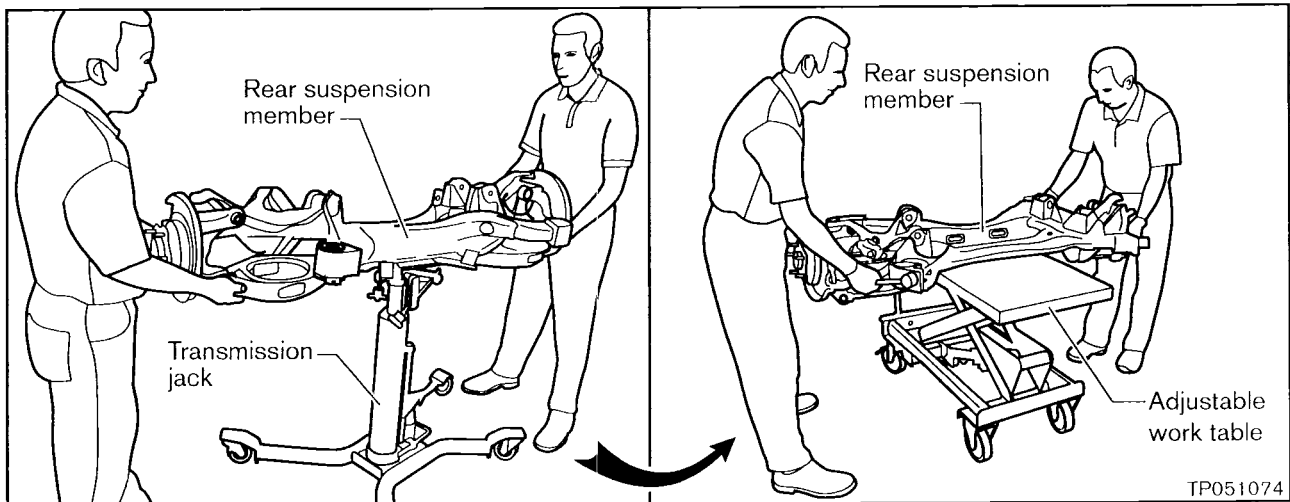


Figure B1

2. Remove the ABS wire harnesses (if equipped) from the rear suspension member as follows:
  - a. Remove the harness securing clips and connectors/mounting clips from the suspension member (see Figure B2).
  - b. Remove the bolt that secures the harness support bracket (see Figure B2).
  - c. Remove the ABS wire harness from the suspension member (do this for both the right and left side).

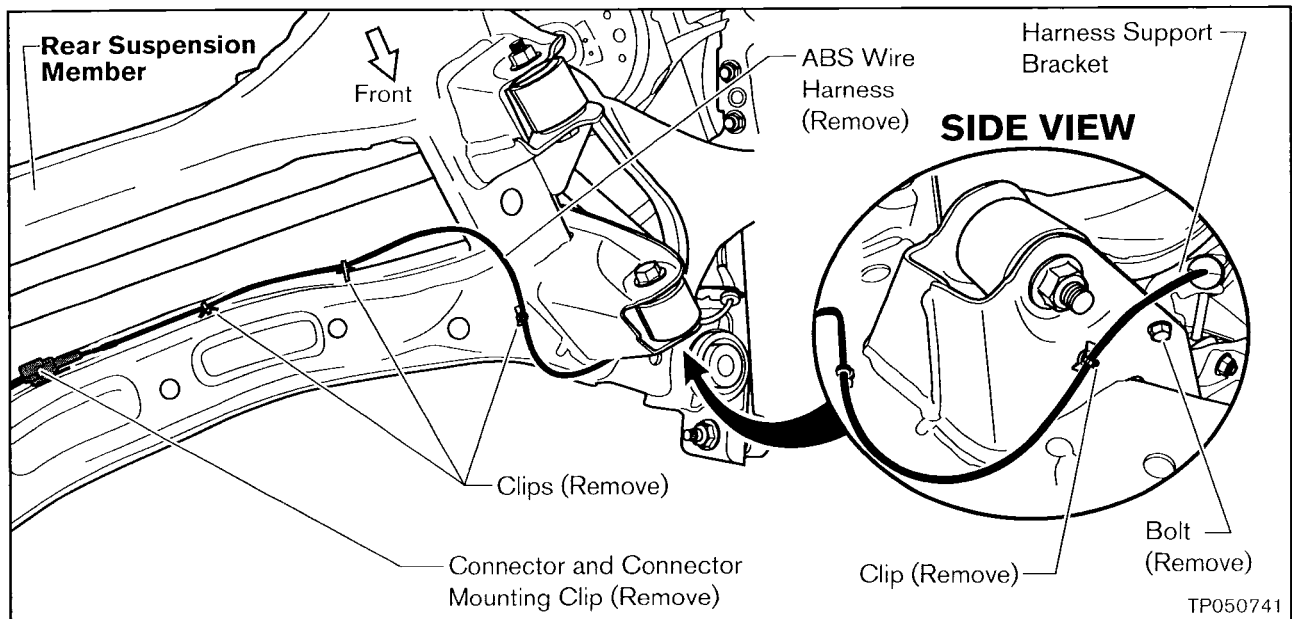


Figure B2

## Procedure B

3. Remove the suspension component assemblies listed below from the rear suspension member. Refer to Figure B3.

**NOTE:** For steps b, c, and e: discard the nuts as they are not re-useable. New nuts are provided in the kit.

- a. Disconnect the “forward end” of the radius rods.
- b. Disconnect the “inner end” of the front lower links. \*
- c. Disconnect the “inner end” of the rear lower links. \*
- d. Disconnect the stabilizer bar strut rod brackets from the upper suspension arms (keep these bolts, you’ll re-use them).
- e. Disconnect the inner end of the upper suspension arms. \*

\* Discard nuts only. Bolts are to be re-used.

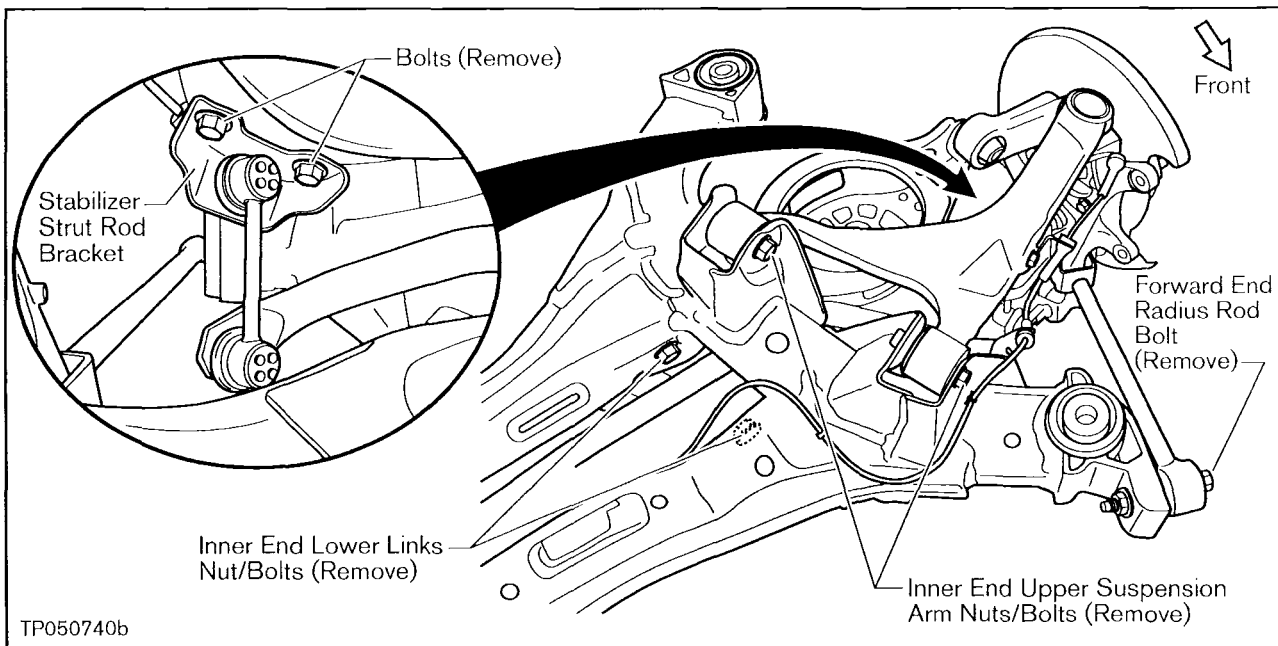


Figure B3



- f. Pull the suspension component assemblies away from the suspension member as shown in Figure B4. Then remove the radius rod mounting pin as shown in Figure B4.

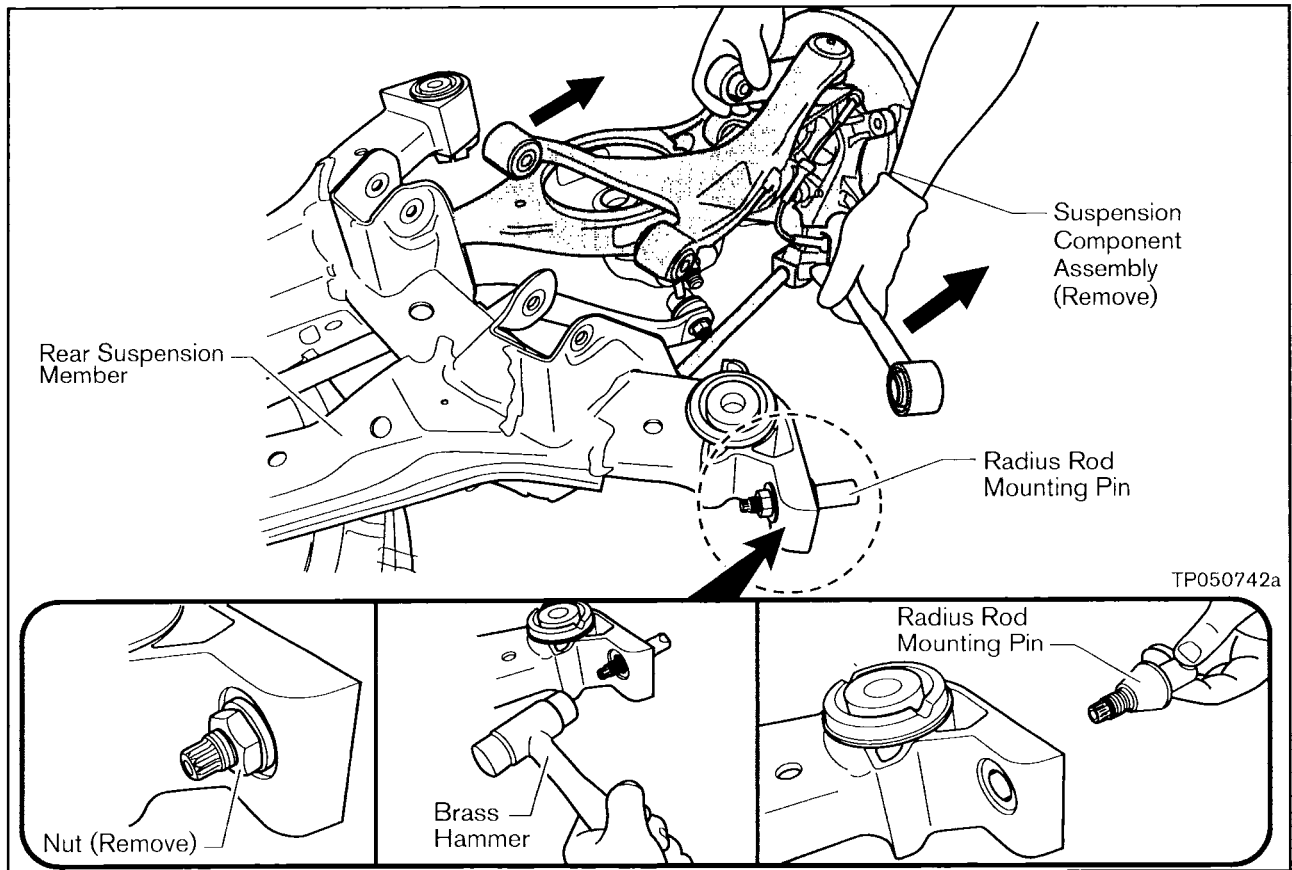


Figure B4

4. Turn the suspension member over and remove the stabilizer bar from the suspension member (see Figure B5).

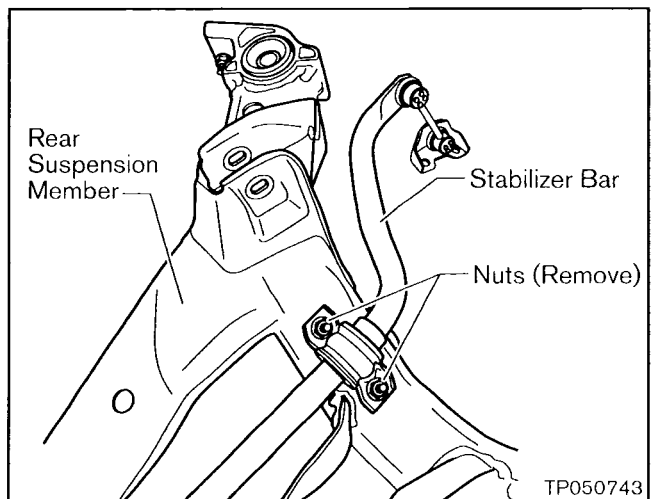


Figure B5

5. Now, set the original suspension member aside.

## Procedure B

6. Re-install the original assemblies onto the new suspension member.
  - a. Place the new suspension member upside down on the sturdy work surface.
  - b. Install the original radius rod mounting pins to the new suspension member and tighten the nuts to: 120 - 140 Nm (12.2 – 14.3 kg-m, **88.5 – 103.3 ft-lb**). See Figure B6.

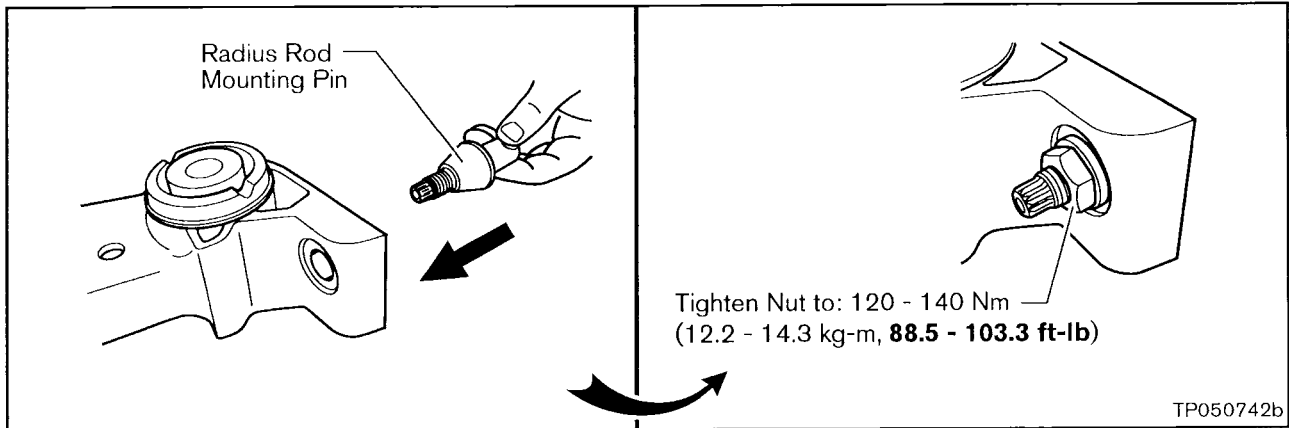


Figure B6

- c. Re-install the original suspension component assemblies onto the new suspension member in the reverse order of removal. Make note of the following:

**NOTE:** Do NOT torque any of the nuts/bolts yet. You'll do this later using a special A-arm adjustment tool #J-47438.

- The upper control arm bolts are installed from inboard to outboard as shown in Figure B7.

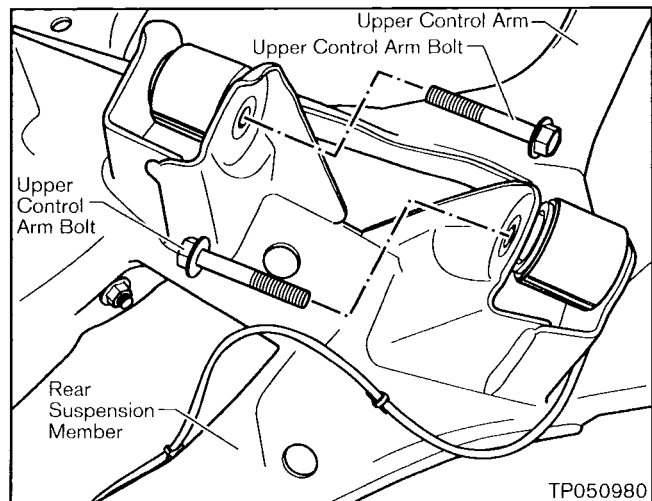


Figure B7

## Procedure B

- There are two eccentric Bolts for the inner end of the front lower links and the inner end of the rear lower links. They are installed as shown in Figure B8. Use new nuts from the kit when installing these bolts. **During installation, use a backup wrench to keep the eccentric bolts correctly positioned.**

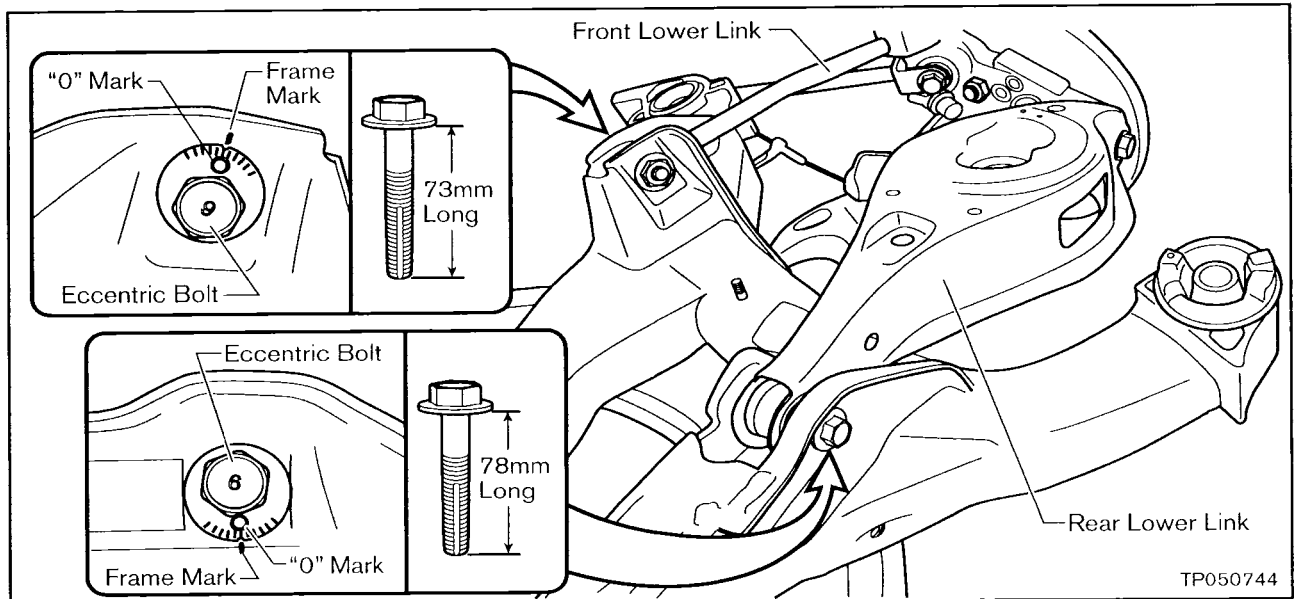


Figure B8

- Make sure the ABS wire harness is correctly routed, secured, and connected (if equipped).

**NOTE:** If the harness cable ties or connector mounts are broken during removal, replacements are available:

ABS harness cable ties (Cable Clip): P/N 24225-79903, qty 6

ABS harness connector mount: P/N 24225-ZB00A, qty 2

**NOTE:** The following step is being performed on the driver's (LH) side of the rear suspension member. You will need to perform this procedure on the passenger (RH) side of the rear suspension member also.

7. Temporarily install the special A-arm adjustment tool and tighten the suspension component nuts/bolts as follows:

**NOTE:** The purpose of this tool is to make sure the suspension is in the "loaded" position while tightening the suspension components nuts/bolts.

- a. Install the special A-arm adjustment tool #J-47438-L over the stabilizer bar mounting studs as shown in Figure B9a. Do not install the nuts onto the studs yet.
- b. Lift UP on the suspension component assembly and place the "foot" of the A-arm adjustment tool under the upper control arm as shown in Figure B9b.
- c. Use the stabilizer bar mounting nuts as shown in Figure B9b to hold the tool in place.

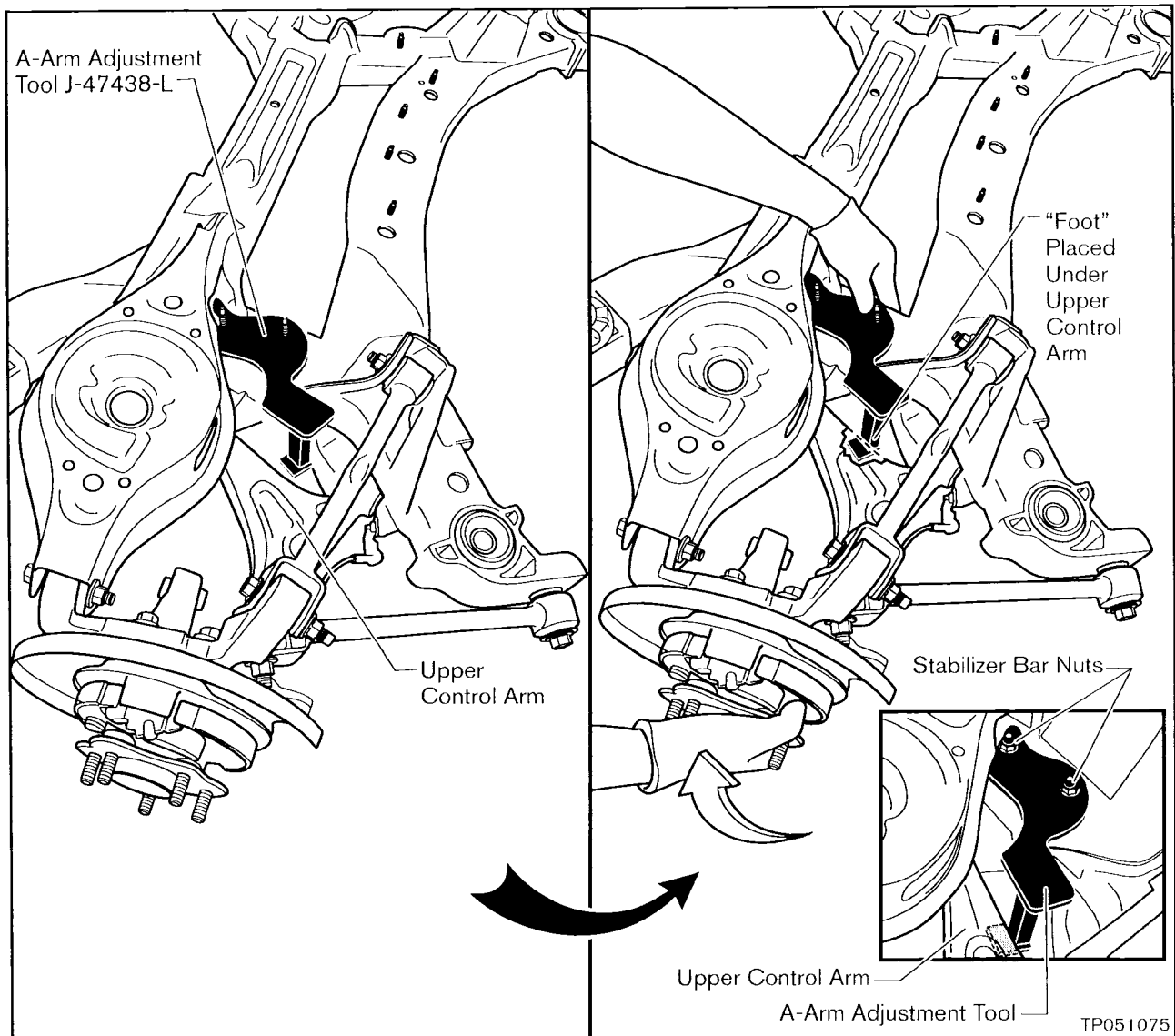


Figure B9a

Figure B9b

## Procedure B

d. Tighten the suspension components nuts/bolts to the highlighted (shaded) torque specifications at this time (see Figure B10). You'll tighten the remaining bolts/nuts later.

- Use a backup wrench when tightening fasteners that use a nut and a bolt.

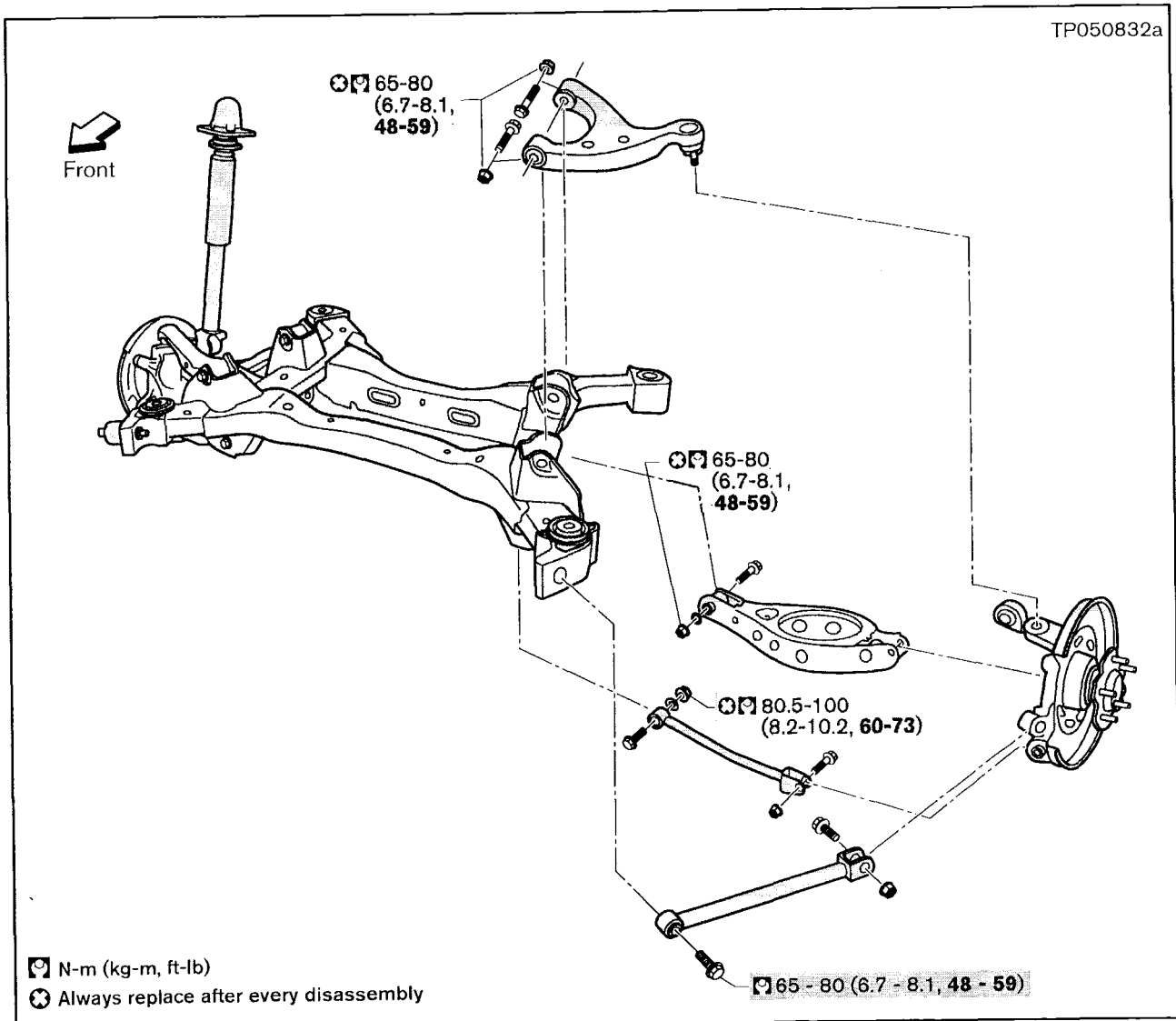


Figure B10

8. Be sure to remove the A-arm adjustment tool after the nuts/bolts are torqued.
9. Perform the above procedure on the passenger (RH) side of the rear suspension member.
10. Install the rear suspension member assembly by performing Procedure C.

## Procedure B

## PROCEDURE C: Install Rear Suspension Member Assembly

- Place the rear suspension member assembly on the transmission jack.

**NOTE:** You can insert a screwdriver through the front suspension member hole to help align the transmission jack adapter with the suspension member.

- Install the suspension member/suspension member components in the reverse order of removal, making sure of the following:
  - Re-torque all fasteners to specification (see Figure C1).
  - Use a “backup” wrench when tightening fasteners that use a nut and a bolt.
  - Re-connect the ABS wire harnesses (if equipped) making sure they are “snapped” in place.
  - Use a new gasket between the catalytic converter and center exhaust tube.
  - Connect and adjust the parking brake cables.
  - When re-installing the rear rotors to the hubs, make sure the mating surfaces are clean. If necessary, use a wire brush to remove any rust or debris. This will help prevent rotor run-out / brake judder. Also, make sure you correctly “index” the rotor to the hub.

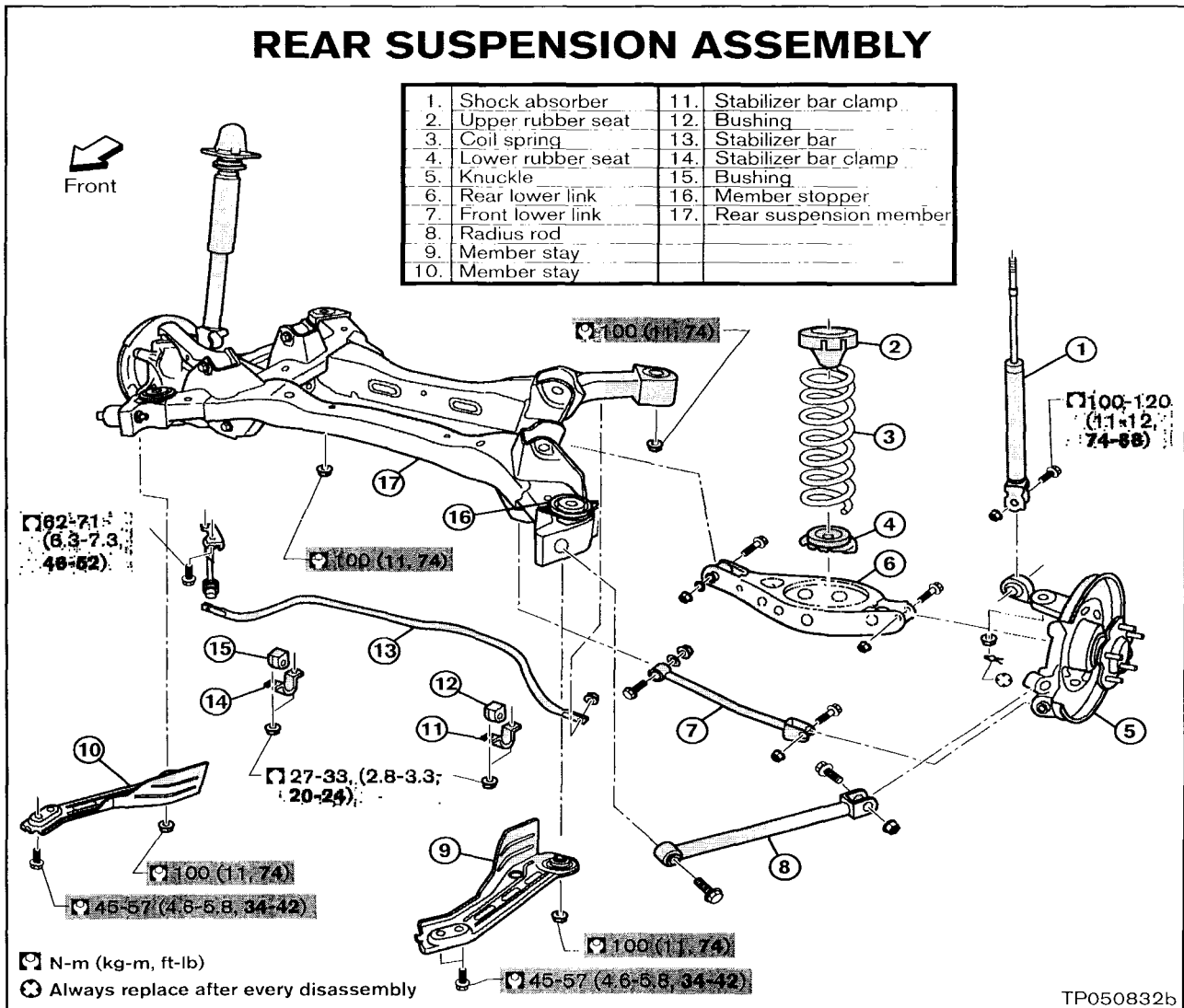
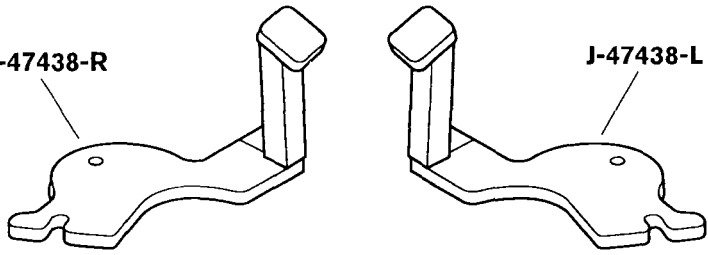
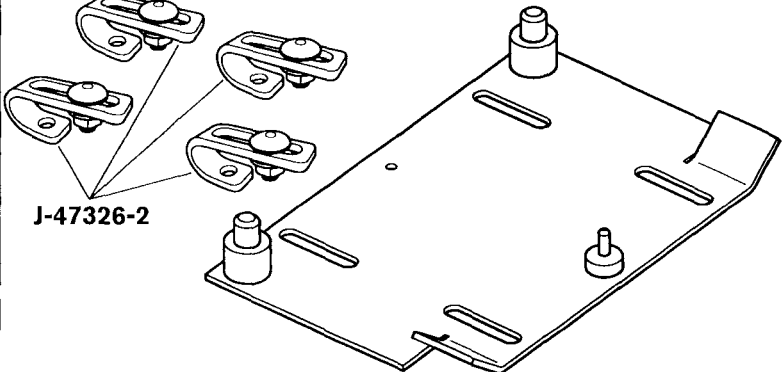


Figure C1

- Perform a rear wheel alignment.

**Procedure C**

Required Special Tools (sent to each dealer)

<b>Special Tools</b>		
<b>Description</b>	<b>View</b>	<b>Est.</b>
A-Arm Adjustment Tool <b>J-47438</b>		<b>Drawer 8</b>
Transmission Jack Adapter <b>J-47326</b>		<b>N/A</b>  <small>TP050981c</small>

**NOTE:** Replacement tools can be ordered from Nissan TECH-MATE at 1-800-662-2001.

## PARTS INFORMATION

DESCRIPTION	PART NUMBER	QTY
Rear Suspension Member Kit - Non-SER (see "NOTE A")	55400-ZB00J (see "NOTE C")	1
Rear Suspension Member Kit – SER (see "NOTE B")	55400-ZB60J	1

**NOTE A:** Kit includes:

- 55400-ZB00A – Rear Member (**Qty 1**)
- 20692-65J00 – Gasket, Exhaust (**Qty. 1**)
- 01225-00072 – Nut, Link Arm (**Qty 4**) (This is the inner nut for the front and rear lower links)
- 55269-AG005 – Nut Special (**Qty 4**) (This is the nut for the upper arm assembly)

**NOTE B:** Kit includes:

- 55400-ZB60A – Rear Member (**Qty 1**)
- 20692-65J00 – Gasket, Exhaust (**Qty. 1**)
- 01225-00072 – Nut, Link Arm (**Qty 4**) (This is the inner nut for the front and rear lower links)
- 55269-AG005 – Nut Special (**Qty 4**) (This is the nut for the upper arm assembly)

**NOTE C:** This part number may supersede to 55400-ZB00K.



## CLAIMS INFORMATION

Submit a Campaign (CM) line claim using the following claims coding:

“CM” I.D.: PB016

DESCRIPTION	OP CODE	FRT
RPL Rear Suspension Member Assy ( <u>with</u> ABS)	PB0160	2.7 hrs

**OR:**

DESCRIPTION	OP CODE	FRT
RPL Rear Suspension Member Assy ( <u>w/o</u> ABS)	PB0161	2.6 hrs



# NISSAN

---

**NISSAN NORTH AMERICA, INC.**

Corporate Office  
18501 South Figueroa St.  
Gardena, California 90248-4500

Mailing Address: P.O. Box 191  
Gardena, California 90248-0191

Telephone: 310.532.3111

February 17, 2006

Mr. George Person  
Chief, Recall Analysis Division  
Office of Defects Investigation  
Safety Assurance  
National Highway Traffic Safety Administration  
400 Seventh Street, S.W.  
Washington, D.C. 20590

Ref: 06V-046

Dear Mr. Person:

The enclosed communication is being provided pursuant to 49 CFR Part 573.6(c)(9).

Technical Compliance Department

Encl.

Subject: 2006 Altima/Maxima Rear Suspension Member Replacement Update #1

Attention - Dealer Principals, Parts and Service Managers

\*\*\*\*\*Interim Repair Instructions Revised \*\*\*\*\*

Revised interim repair instructions are now available on NNA.net.com under My Documents in the Parts/Campaigns and Service/Campaigns categories. The instructions have been modified to specify a different P/N for the Maxima sub-frame.

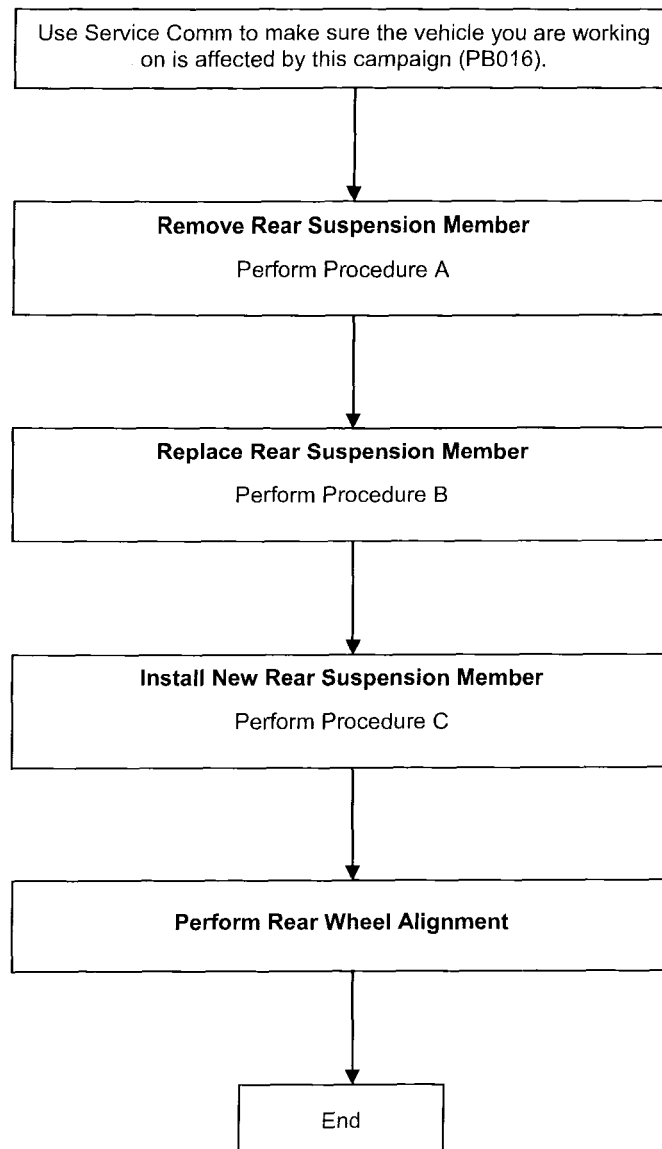
If you have any additional questions related to this campaign, please contact your Dealer Parts and Service Manager (DPSM).

Nissan Parts and Service Operations  
02/10/2006

**INTERIM REPAIR INSTRUCTIONS  
2006 MY ALTIMA / MAXIMA REAR SUSPENSION MEMBER  
REPLACEMENT (PB016)**

(Revised 2/9/06)

**REPAIR FLOW CHART**

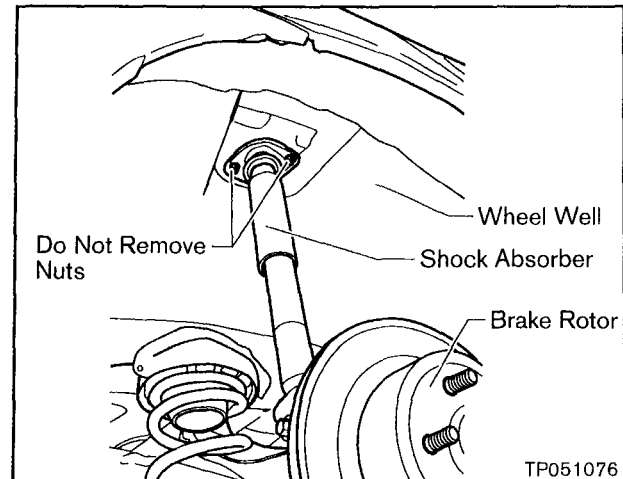


**Repair Flow Chart**

## Important Service Tips

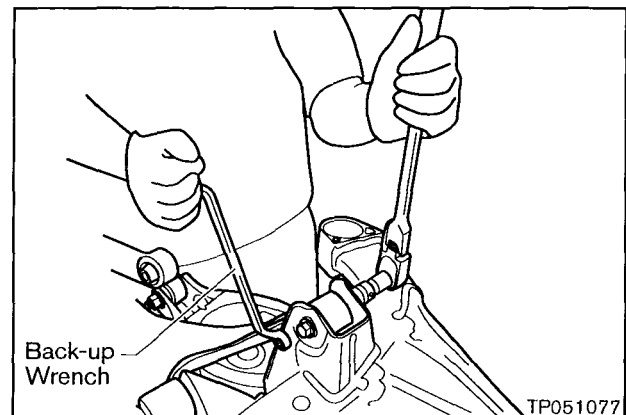
To ensure a quality repair, use the following service tips when performing the procedures in this bulletin.

- Do NOT remove the shock absorbers from the two studs at the top of the wheel. Instead, remove the single bolt at the bottom of the shock absorber.



- Included in the rear suspension member kit is a bag that contains an exhaust gasket and eight nuts. Make sure to find and retrieve this bag from the kit box.

- Use a “back up” wrench at all times when removing or tightening fasteners that use a nut and a bolt. This is especially important when tightening the alignment eccentrics.



- Make sure all fasteners are tightened to the correct torque specification.

**Important Service Tips**

## PROCEDURE A: Remove Rear Suspension Member/Suspension Components

**CAUTION:** Use suitable covers to protect upholstery, carpet, trim, paint, etc. when performing this procedure.

Use this procedure to remove the original rear suspension member.

1. From inside the vehicle, release the parking brake cable tension as follows:

- a. Remove the console finisher by carefully prying UP with a plastic pry tool to release the securing clips.

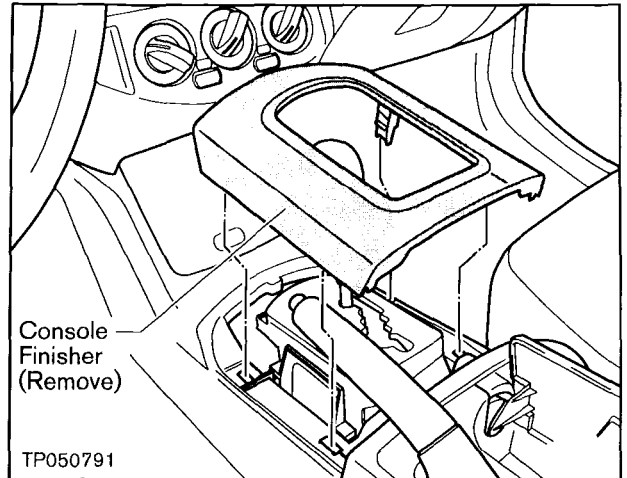


Figure A1

- b. Remove the center console finisher by carefully lifting UP to release the securing clips (see Figure A2).
  - Disconnect all harness connectors from the finisher.

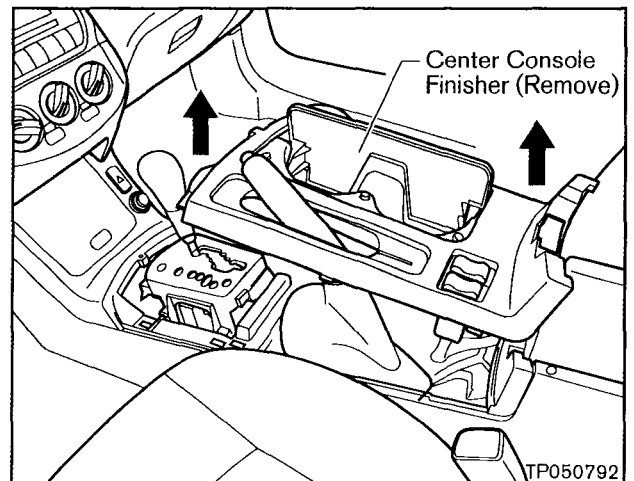


Figure A2

## Procedure A

- c. Turn the cable tension adjustment nut counter-clockwise (left) to release the parking brake cable tension (see Figure A3a). Then disconnect the parking brake cables from the equalizer bar (see Figure A3b).

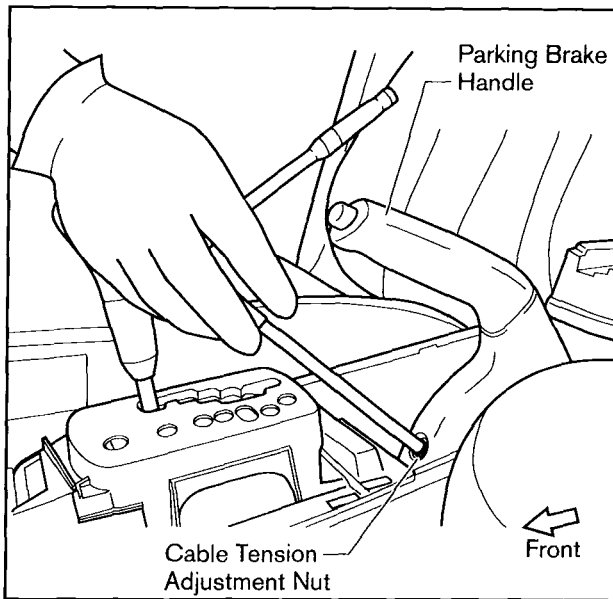


Figure A3a

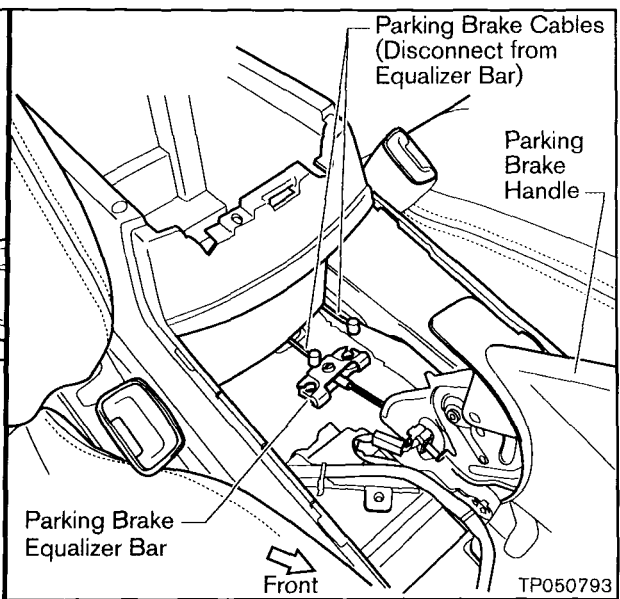


Figure A3b

2. Raise vehicle on lift and remove both rear wheels/tires.

3. Remove the exhaust system as follows:

- a. Remove two nuts that hold the center exhaust pipe/muffler to the catalytic converter (see Figure A4).

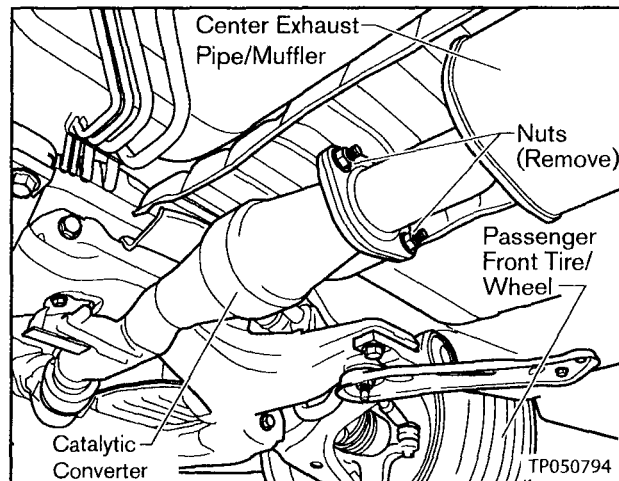


Figure A4

## Procedure A

**Vehicles With QR25DE Engine  
("single exhaust"):**

- b. Remove three nuts and disconnect the rear muffler from the mounting bracket (see Figure A5).
  - Note the location of the ground strap on the muffler. It needs to go back in the same place.

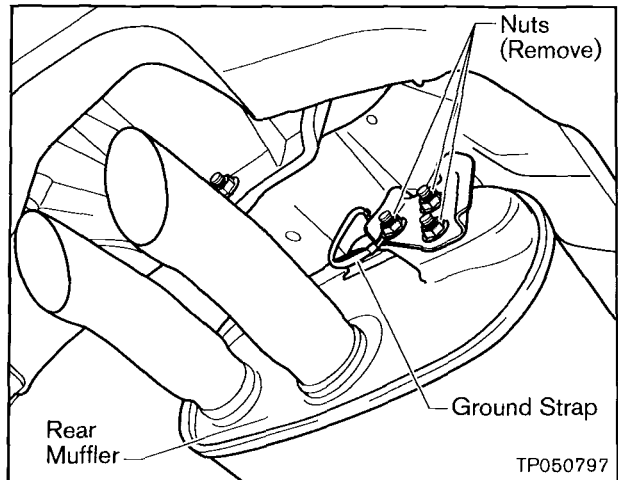


Figure A5

**Vehicles With VQ35DE Engine ("dual exhaust"):**

- c. Remove six nuts and disconnect the rear mufflers from the mounting brackets (see Figure A6).
  - Note the location of the ground strap on the passenger side (RH) muffler. It needs to go back in the same place.

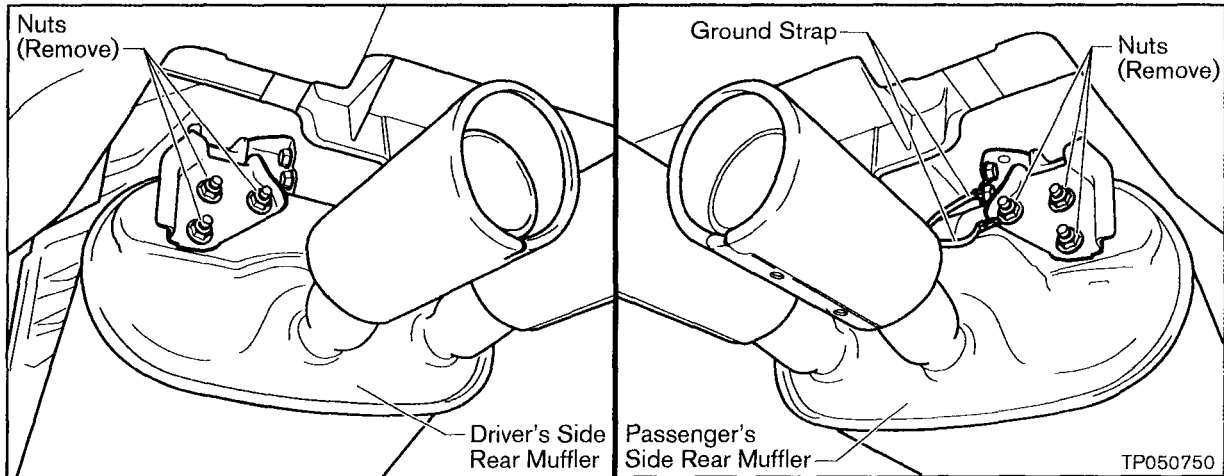


Figure A6



- d. Remove two nuts and take off the exhaust pipe hanger from the rear suspension member (see Figure A7).

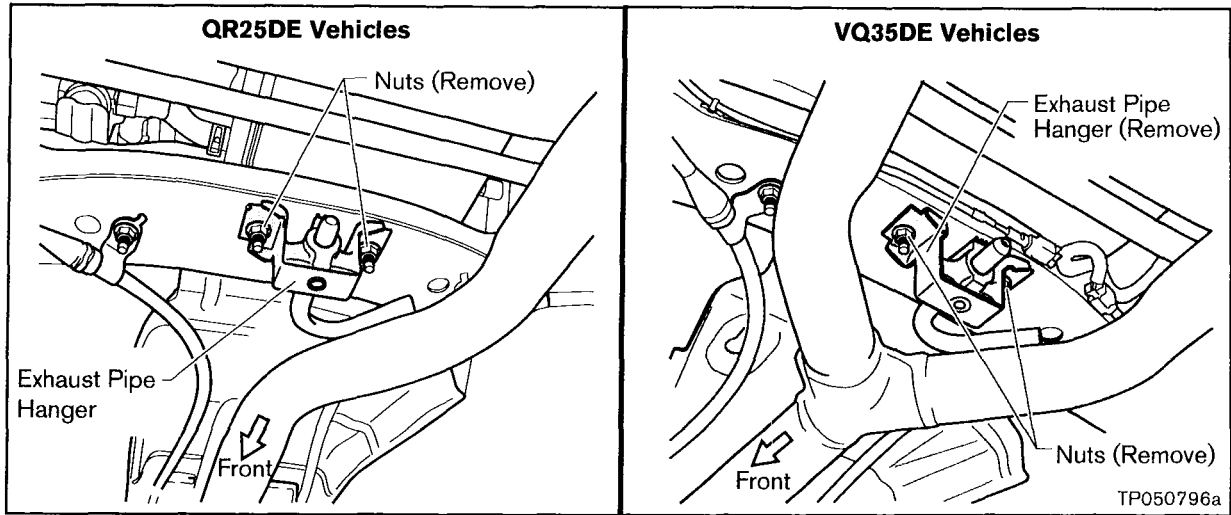


Figure A7

- e. Remove four nuts and take off the center cross brace (see Figure A8).

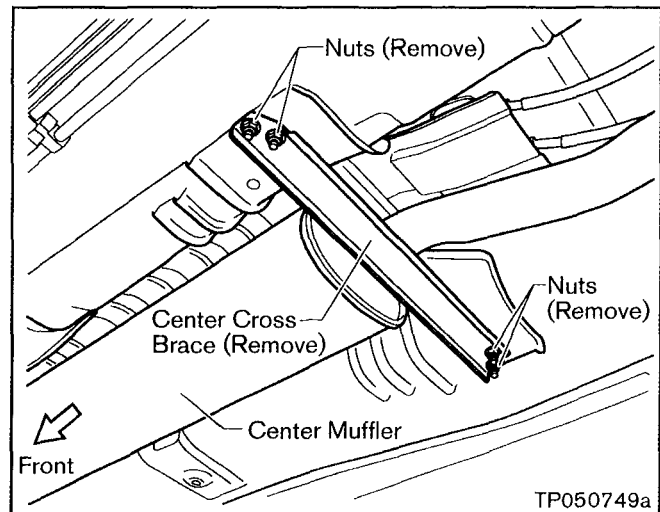


Figure A8

- f. Carefully lower the exhaust system from the vehicle and place it in a safe location.

## Procedure A

4. Remove the rear brake calipers and rotors as follows:
  - a. Remove the two bolts that hold the rear caliper bracket (torque member).
  - b. Move the caliper and bracket assembly out of the way of the rotor. Then use a piece of "support" wire to hang it from the brake hose bracket.

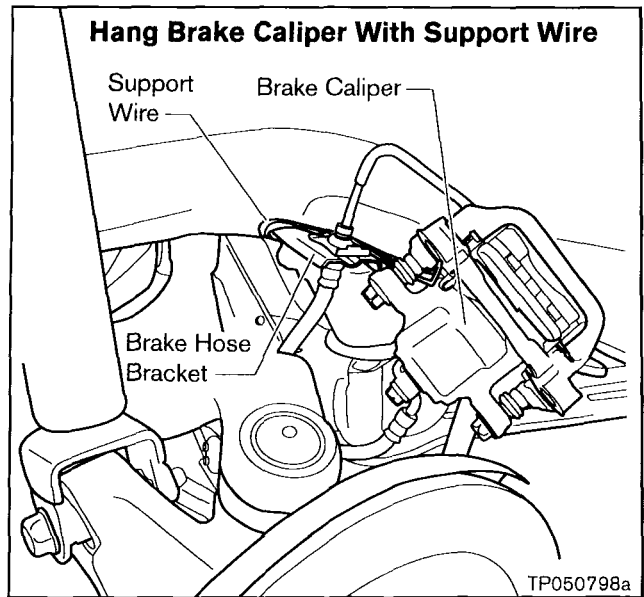


Figure A9

- c. Remove the rear brake rotor, making sure you:
  - Mark the rotor with "R" or "L".
  - Index the rotor to a stud.
- d. Use this procedure to also remove the driver's side (LH) rear rotor.

**IMPORTANT:** The rotors must be re-installed in exactly the same location/position.

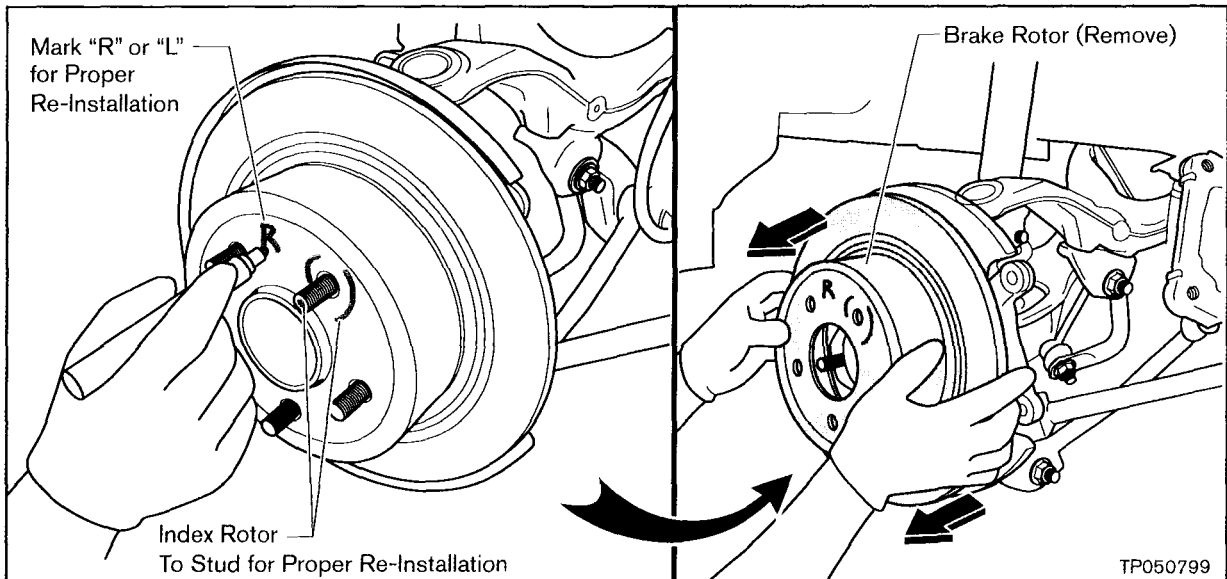


Figure A10

**Procedure A**

5. Disconnect the parking brake cables from the rear knuckles as follows:
  - a. Pull the parking brake cable pin retainer OUT towards the hub/wheel studs (see Figure A11).
  - b. Then, use a magnet or other suitable tool to remove the pin from the bottom side of the parking brake cable end (see Figure A11). Be careful not to drop/lose the pin.

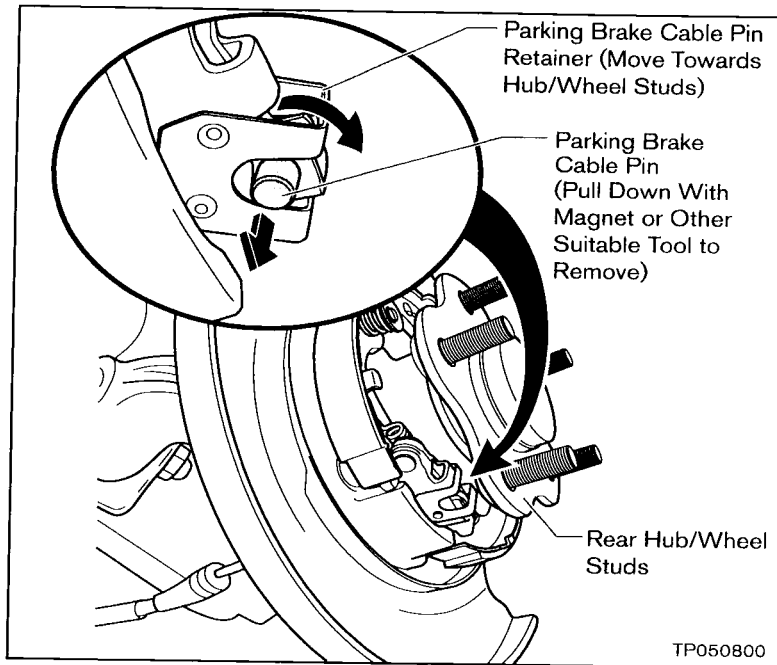


Figure A11

- c. Finally, remove the bolt and remove the parking brake cable from the back side of the knuckle (see Figure A12).
- d. Do the same procedure to remove the cable from the driver's (LH) side knuckle.

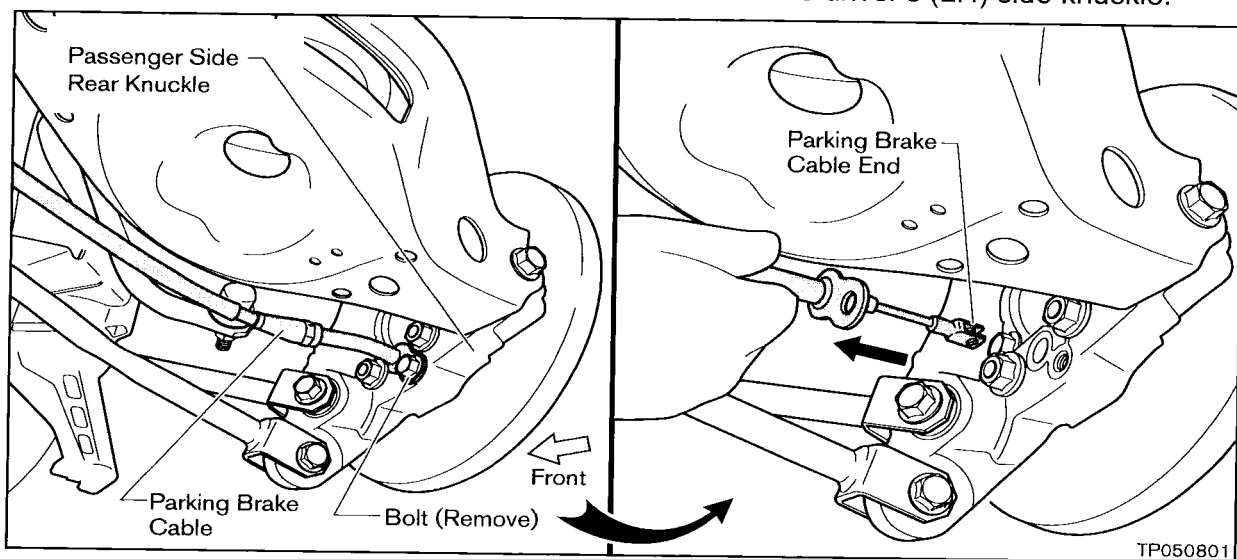


Figure A12

**Procedure A**

6. Remove the parking brake cables from the rear suspension member (see Figure A13). Let the cables hang down freely.

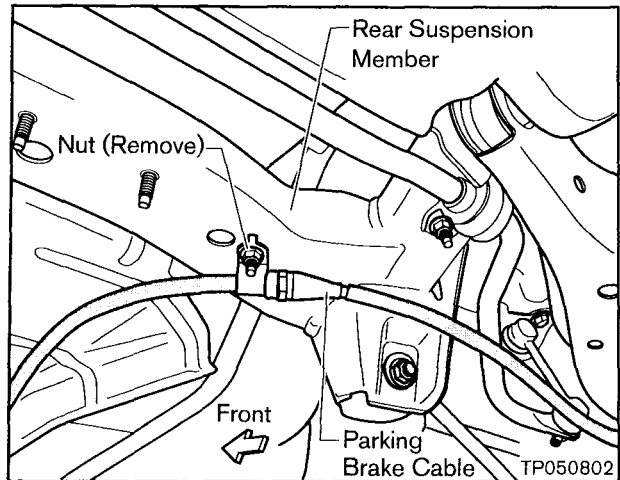


Figure A13

7. Support the lower rear control arm and remove the shock absorber lower mounting Bolt (see Figure A14). Do this procedure on both sides.

**NOTE:** Do not remove the shock absorbers from the two studs at the top of the wheel well. Instead, remove the single bolt at the bottom of the shock absorber.

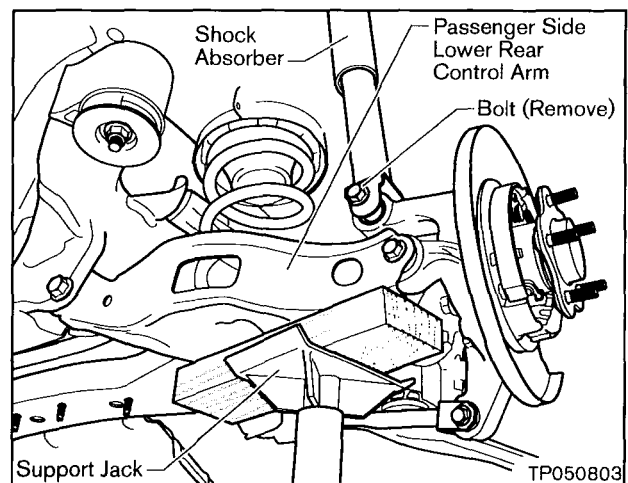


Figure A14

## Procedure A

8. Remove the two front bolts from the right and left “stay” brackets (see Figure A15).

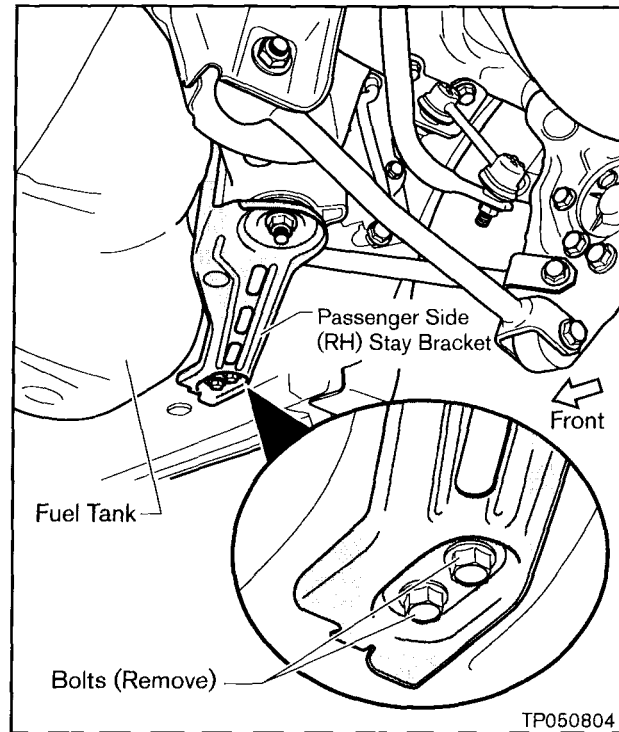


Figure A15

9. Disconnect the two ABS harness connectors from the back side of the rear suspension member (if equipped). See Figure A16.

- Remove the ABS body-side harness tie wrap from the rear suspension member.

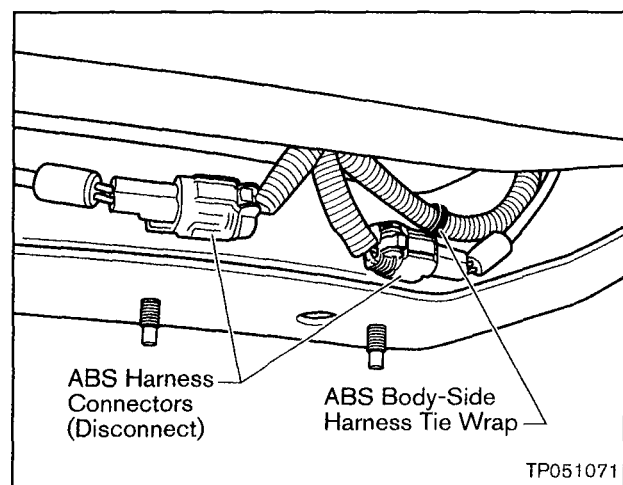


Figure A16

## Procedure A

10. Support the rear suspension member with the special tool transmission jack adapter J-47326 and transmission jack (see Detail View A). Then, place a support jack under the front frame member (see Detail View B). The support jack will help balance the vehicle on the lift once the rear suspension member is removed.

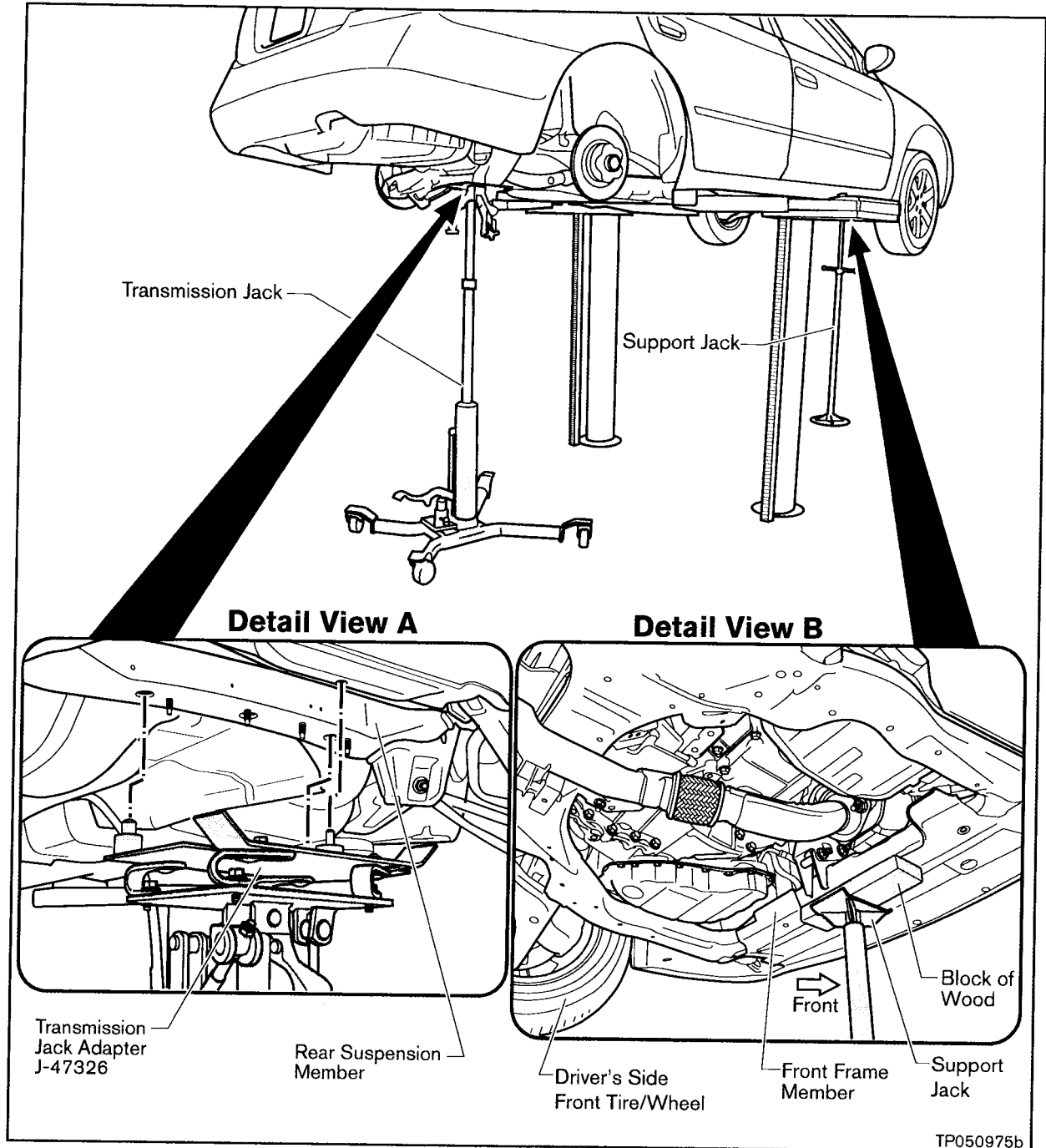


Figure A17

Procedure A

11. Remove the four main suspension member mounting nuts and the LH/RH stay brackets (see Figure A18).

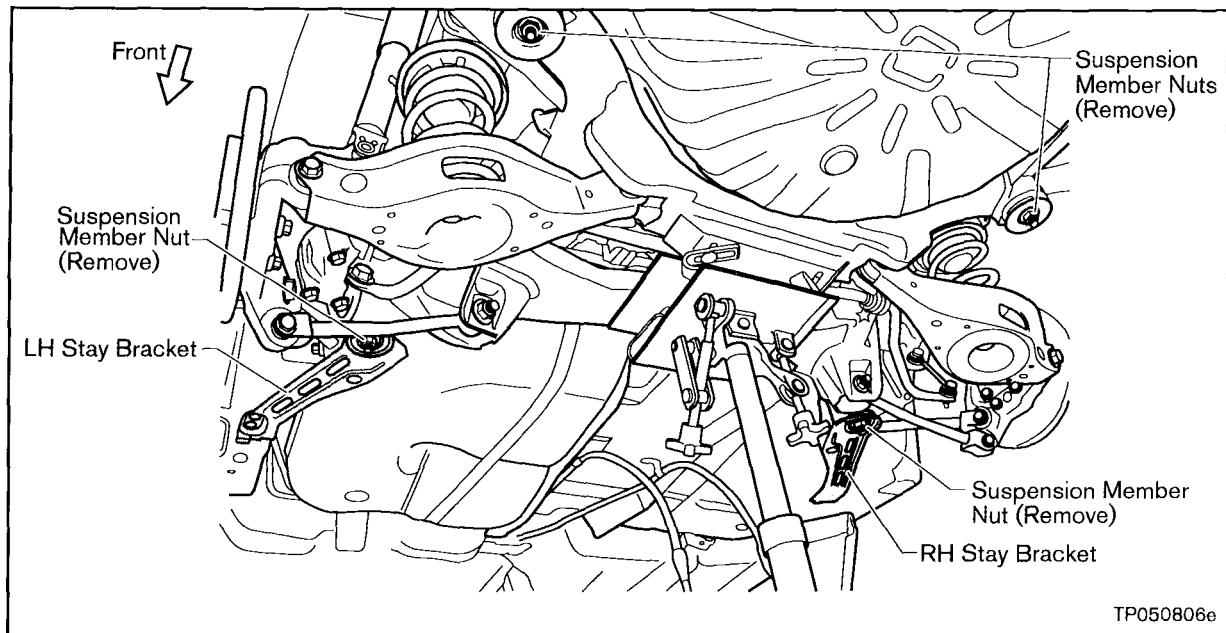


Figure A18

12. Carefully lower the rear suspension member out of the vehicle.

**NOTE:** If needed, carefully use a pry bar to “work” the suspension member loose from the four main suspension member mounting studs.

## PROCEDURE B: Replace Rear Suspension Member

1. Remove the rear suspension member from the transmission jack and place it on a sturdy work surface.
  - Use two people to perform the above step.

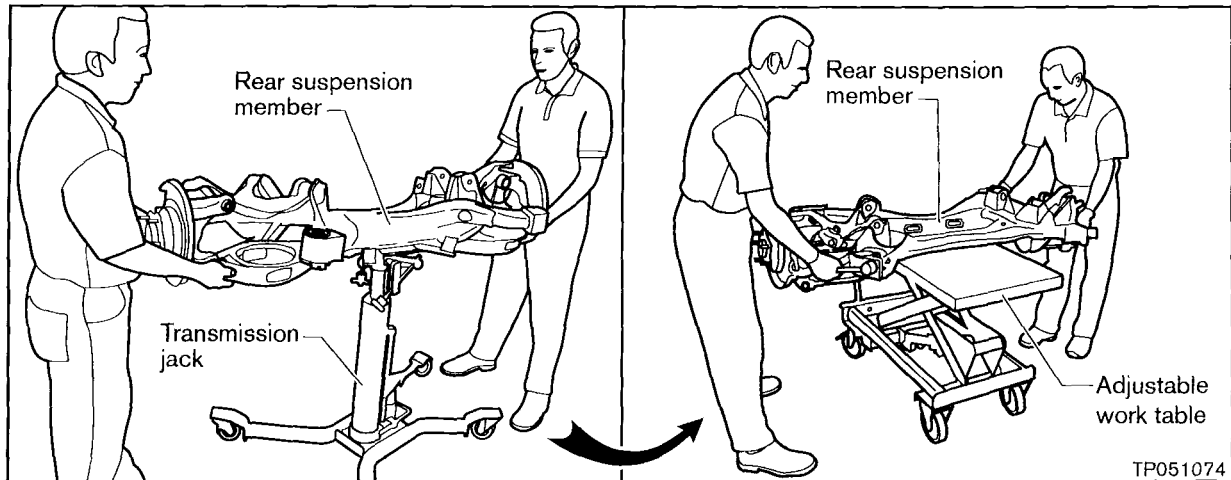


Figure B1

2. Remove the ABS wire harnesses (if equipped) from the rear suspension member as follows:
  - a. Remove the harness securing clips and connectors/mounting clips from the suspension member (see Figure B2).
  - b. Remove the bolt that secures the harness support bracket (see Figure B2).
  - c. Remove the ABS wire harness from the suspension member (do this for both the right and left side).

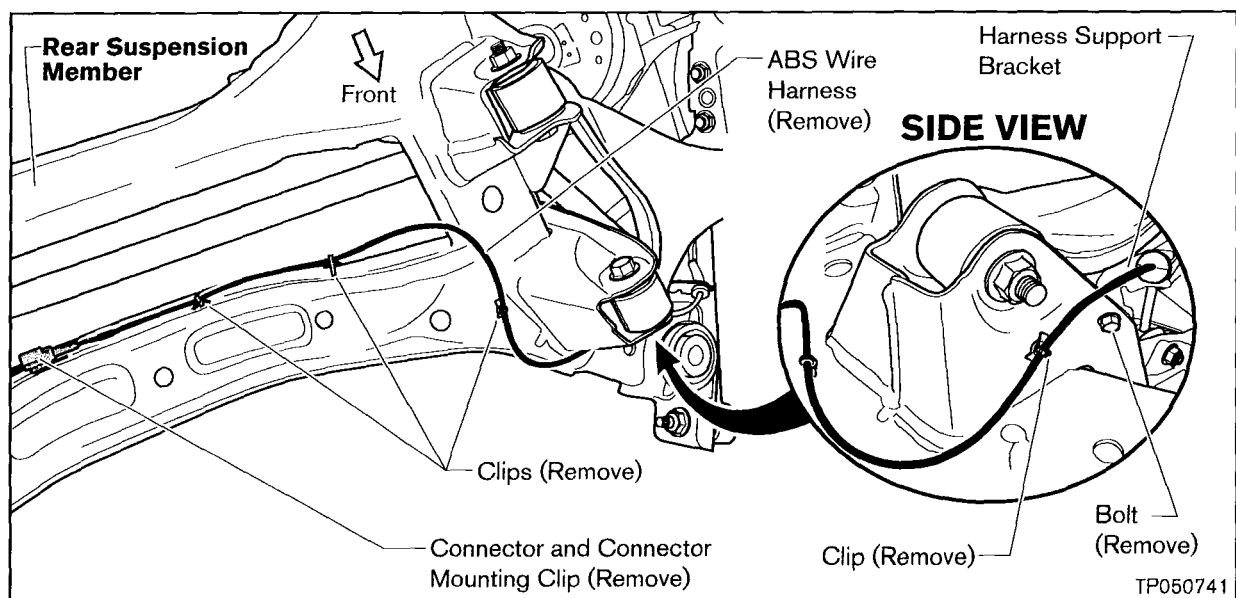


Figure B2

## Procedure B



3. Remove the suspension component assemblies listed below from the rear suspension member. Refer to Figure B3.

**NOTE:** For steps b, c, and e: discard the nuts as they are not re-useable. New nuts are provided in the kit.

- a. Disconnect the “forward end” of the radius rods.
- b. Disconnect the “inner end” of the front lower links. \*
- c. Disconnect the “inner end” of the rear lower links. \*
- d. Disconnect the stabilizer bar strut rod brackets from the upper suspension arms (keep these bolts, you’ll re-use them).
- e. Disconnect the inner end of the upper suspension arms. \*

\* Discard nuts only. Bolts are to be re-used.

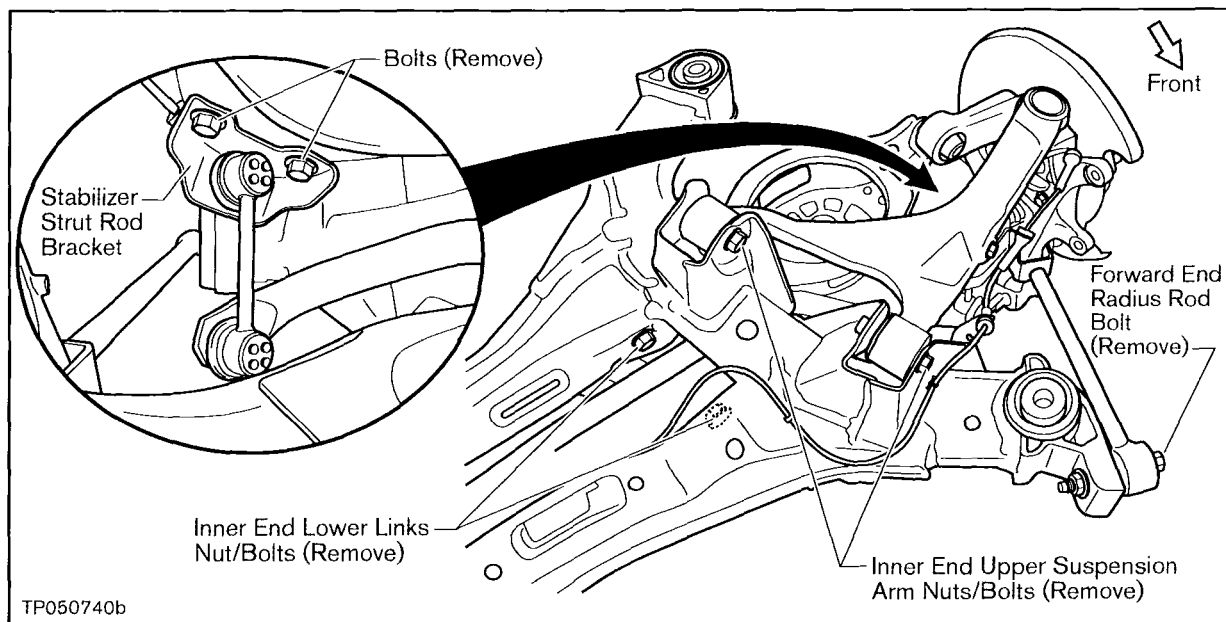


Figure B3

- f. Pull the suspension component assemblies away from the suspension member as shown in Figure B4. Then remove the radius rod mounting pin as shown in Figure B4.

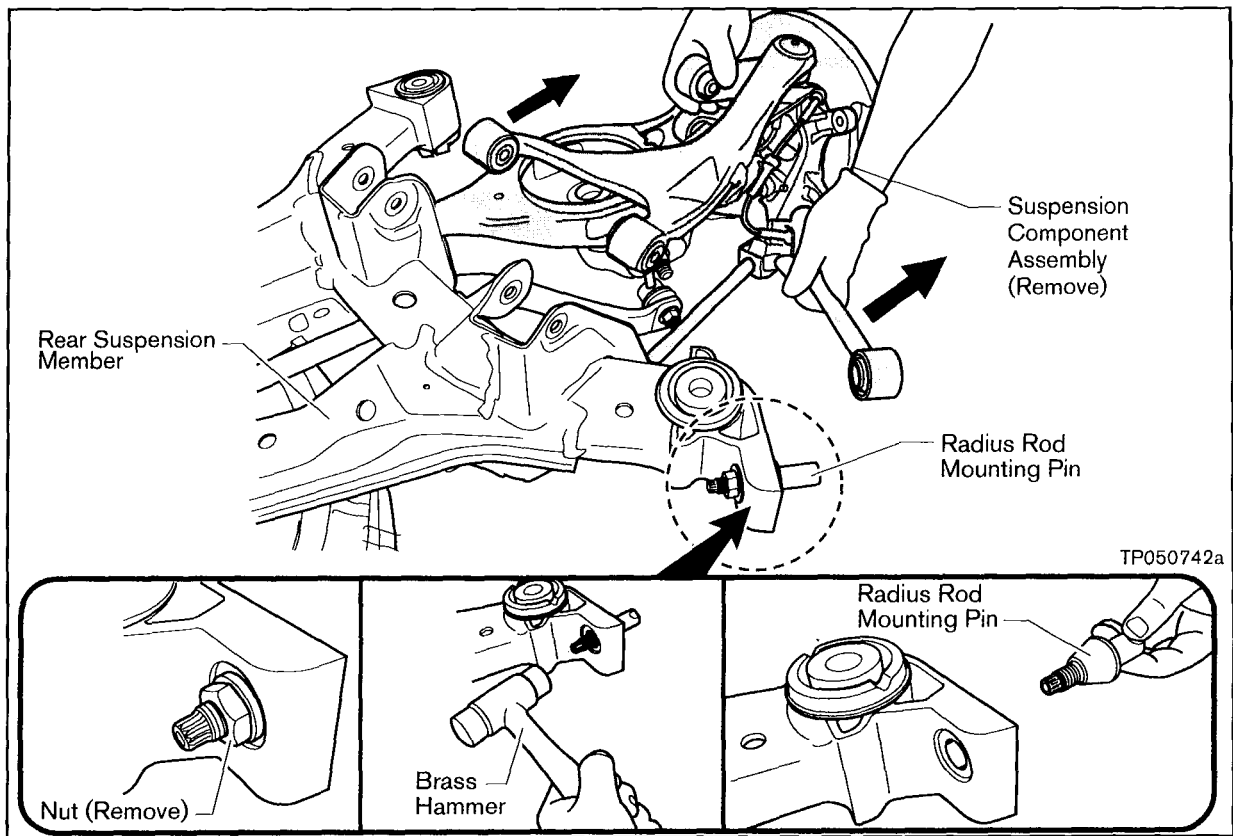


Figure B4

4. Turn the suspension member over and remove the stabilizer bar from the suspension member (see Figure B5).

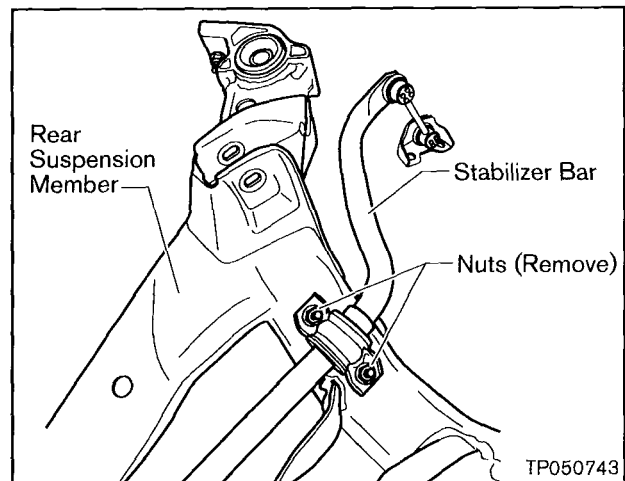


Figure B5

5. Now, set the original suspension member aside.

## Procedure B

6. Re-install the original assemblies onto the new suspension member.
  - a. Place the new suspension member upside down on the sturdy work surface.
  - b. Install the original radius rod mounting pins to the new suspension member and tighten the nuts to: 120 - 140 Nm (12.2 – 14.3 kg-m, **88.5 – 103.3 ft-lb**). See Figure B6.

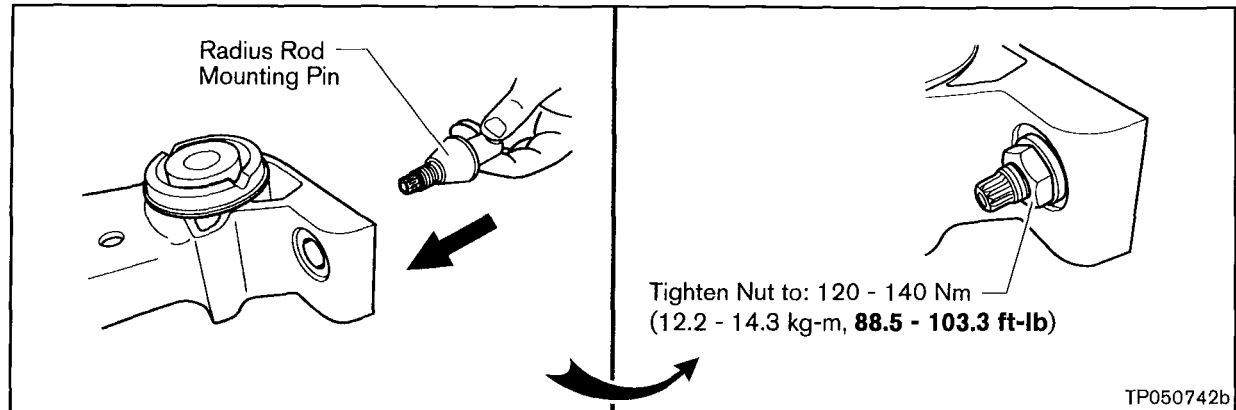


Figure B6

- c. Re-install the original suspension component assemblies onto the new suspension member in the reverse order of removal. Make note of the following:

**NOTE:** Do NOT torque any of the nuts/bolts yet. You'll do this later using a special A-arm adjustment tool #J-47438.

- The upper control arm bolts are installed from inboard to outboard as shown in Figure B7.

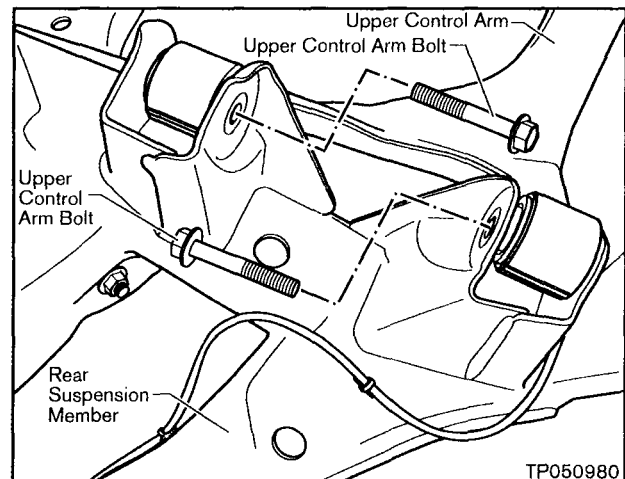


Figure B7

## Procedure B

- There are two eccentric Bolts for the inner end of the front lower links and the inner end of the rear lower links. They are installed as shown in Figure B8. Use new nuts from the kit when installing these bolts. **During installation, use a backup wrench to keep the eccentric bolts correctly positioned.**

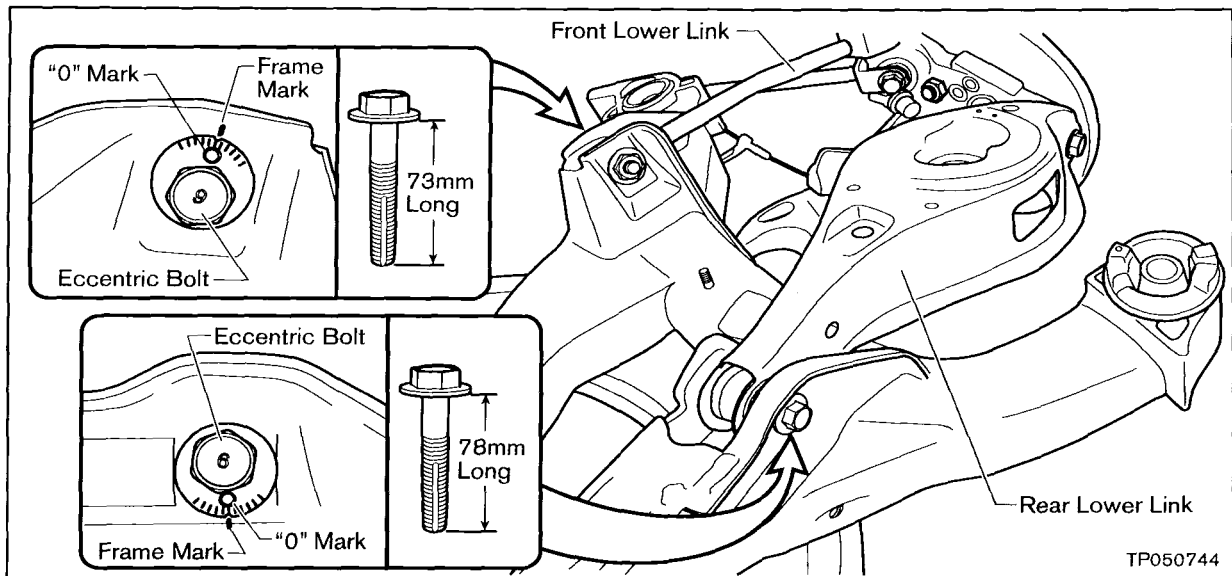


Figure B8

- Make sure the ABS wire harness is correctly routed, secured, and connected (if equipped).

**NOTE:** If the harness cable ties or connector mounts are broken during removal, replacements are available:

ABS harness cable ties (Cable Clip): P/N 24225-79903, qty 6

ABS harness connector mount: P/N 24225-ZB00A, qty 2

**Procedure B**

**NOTE:** The following step is being performed on the driver's (LH) side of the rear suspension member. You will need to perform this procedure on the passenger (RH) side of the rear suspension member also.

7. Temporarily install the special A-arm adjustment tool and tighten the suspension component nuts/bolts as follows:

**NOTE:** The purpose of this tool is to make sure the suspension is in the "loaded" position while tightening the suspension components nuts/bolts.

- a. Install the special A-arm adjustment tool #J-47438-L over the stabilizer bar mounting studs as shown in Figure B9a. Do not install the nuts onto the studs yet.
- b. Lift UP on the suspension component assembly and place the "foot" of the A-arm adjustment tool under the upper control arm as shown in Figure B9b.
- c. Use the stabilizer bar mounting nuts as shown in Figure B9b to hold the tool in place.

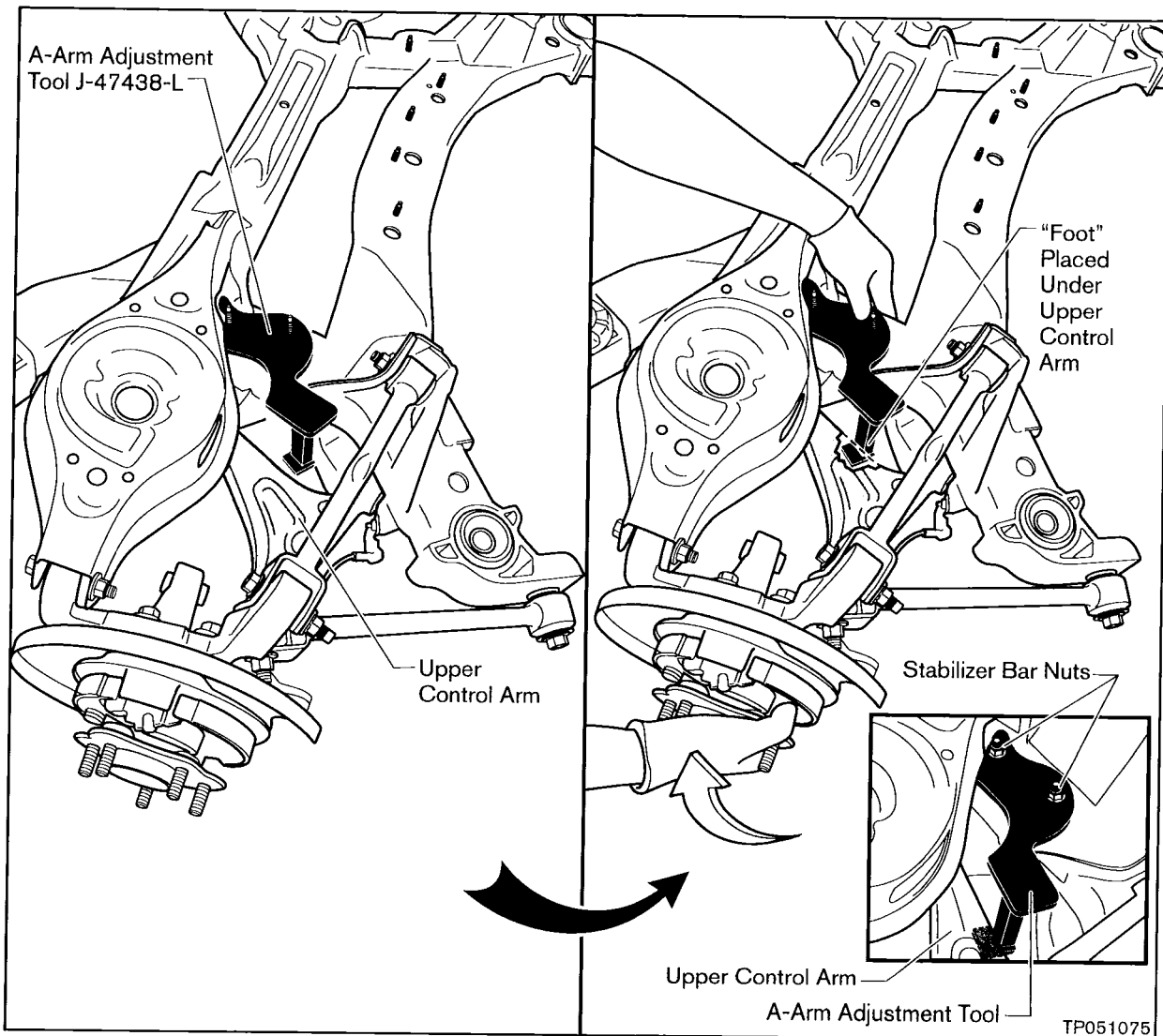


Figure B9a

Figure B9b

## Procedure B

d. Tighten the suspension components nuts/bolts to the highlighted (shaded) torque specifications at this time (see Figure B10). You'll tighten the remaining bolts/nuts later.

- Use a backup wrench when tightening fasteners that use a nut and a bolt.

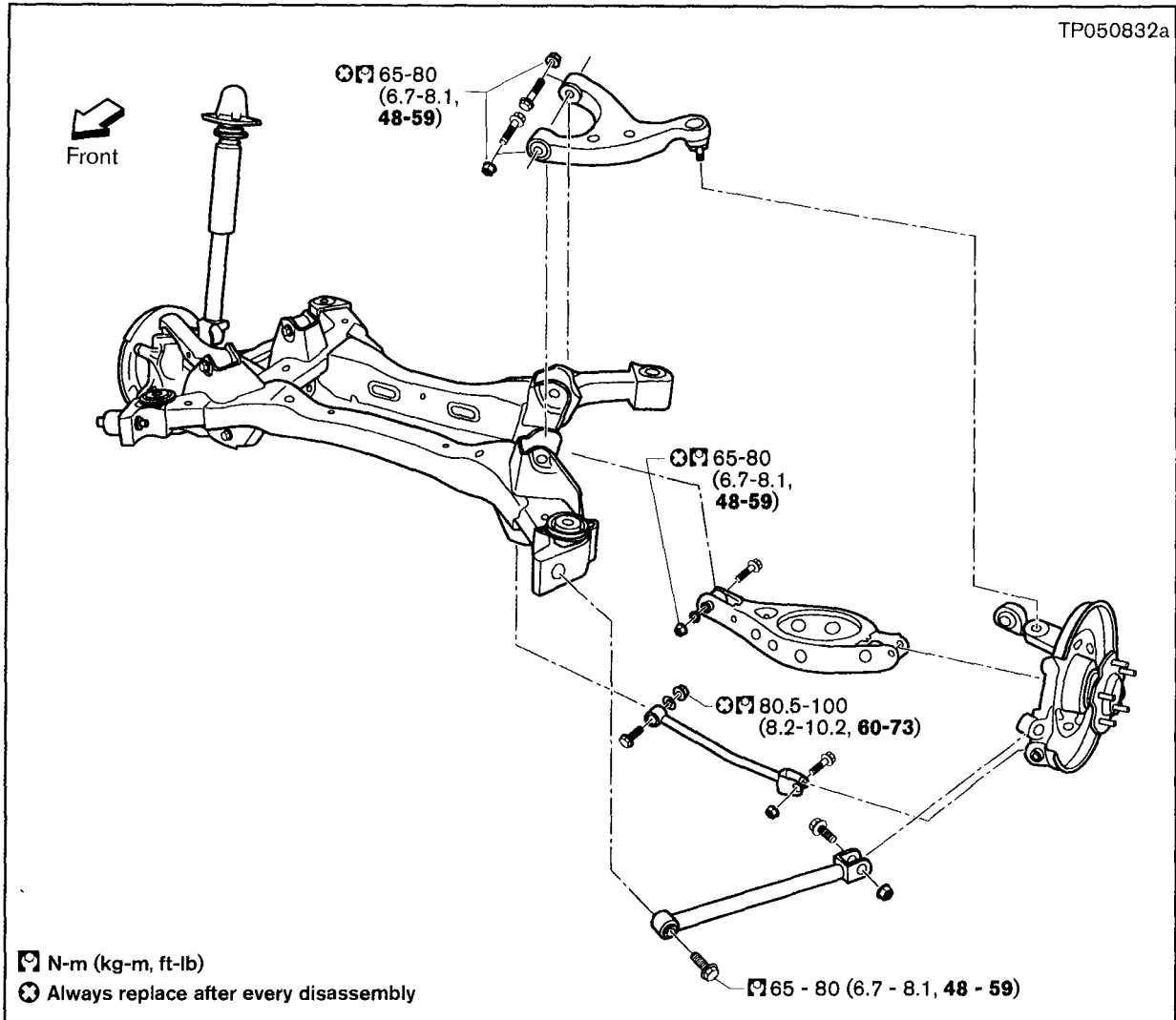


Figure B10

8. Be sure to remove the A-arm adjustment tool after the nuts/bolts are torqued.
9. Perform the above procedure on the passenger (RH) side of the rear suspension member.
10. Install the rear suspension member assembly by performing Procedure C.

Procedure B

## PROCEDURE C: Install Rear Suspension Member Assembly

1. Place the rear suspension member assembly on the transmission jack.

**NOTE:** You can insert a screwdriver through the front suspension member hole to help align the transmission jack adapter with the suspension member.

2. Install the suspension member/suspension member components in the reverse order of removal, making sure of the following:
  - Re-torque all fasteners to specification (see Figure C1).
  - Use a “backup” wrench when tightening fasteners that use a nut and a bolt.
  - Re-connect the ABS wire harnesses (if equipped) making sure they are “snapped” in place.
  - Use a new gasket between the catalytic converter and center exhaust tube.
  - Connect and adjust the parking brake cables.
  - When re-installing the rear rotors to the hubs, make sure the mating surfaces are clean. If necessary, use a wire brush to remove any rust or debris. This will help prevent rotor run-out / brake judder. Also, make sure you correctly “index” the rotor to the hub.

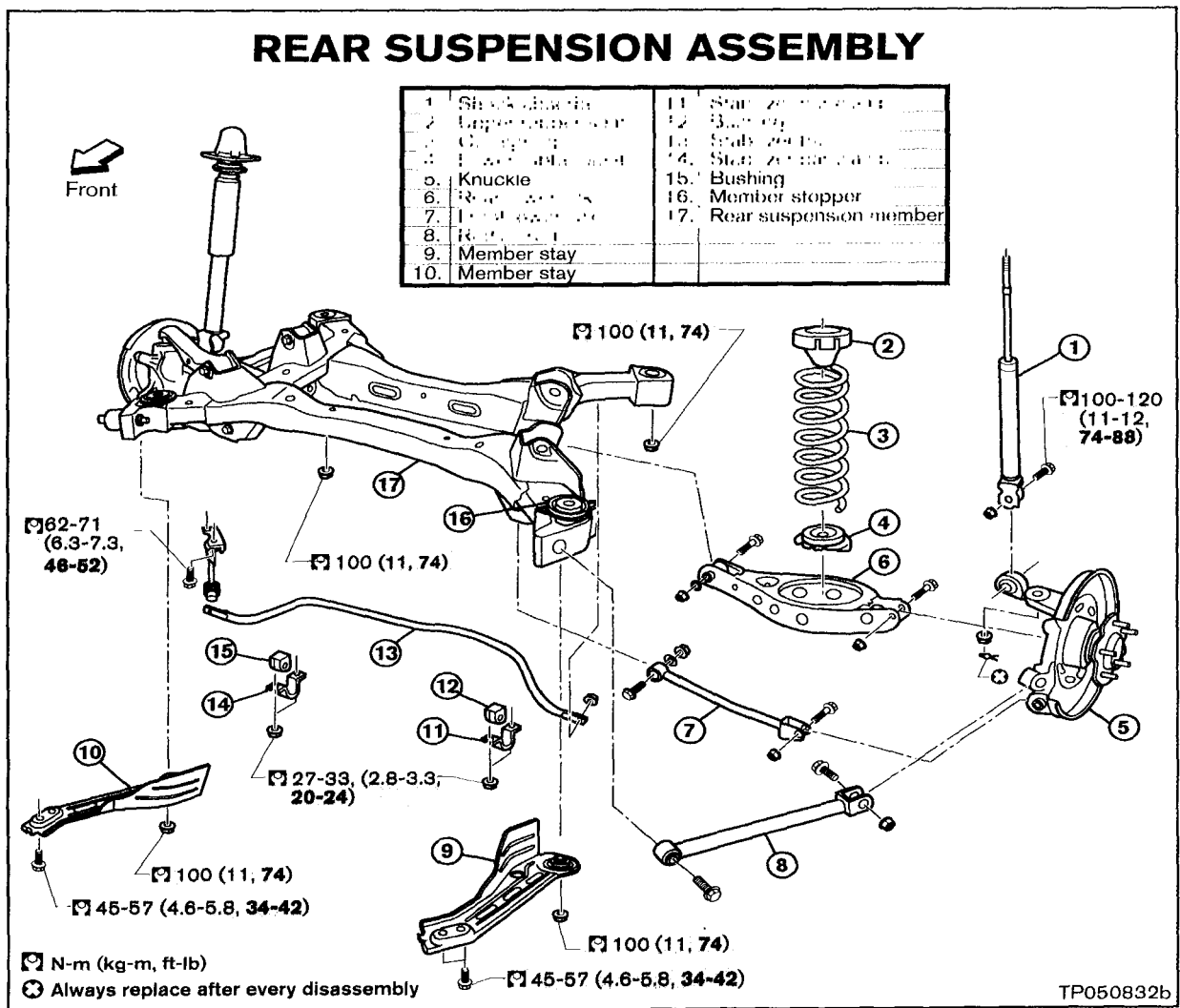


Figure C1

3. Perform a rear wheel alignment.

**Procedure C**

**Required Special Tools (sent to each dealer)**

<b>Special Tools</b>		
<b>Description</b>	<b>View</b>	<b>Est.</b>
A-Arm Adjustment Tool <b>J-47438</b>		<b>Drawer 8</b>
Transmission Jack Adapter <b>J-47326</b>		<b>N/A</b>

TP050981c

**NOTE:** Replacement tools can be ordered from Nissan TECH-MATE at 1-800-662-2001.

**Required Special Tools**



## PARTS INFORMATION

DESCRIPTION	PART NUMBER	QTY
Altima Rear Suspension Member Kit (see "NOTE A")	55400-ZB00J (see "NOTE C")	1
Maxima Rear Suspension Member Kit (see "NOTE B")	55400-ZB60J	1

**NOTE A:** Kit includes:

- 55400-ZB00A – Rear Member (**Qty 1**)
- 20692-65J00 – Gasket, Exhaust (**Qty. 1**)
- 01225-00072 – Nut, Link Arm (**Qty 4**) (This is the inner nut for the front and rear lower links)
- 55269-AG005 – Nut Special (**Qty 4**) (This is the nut for the upper arm assembly)

**NOTE B:** Kit includes:

- 55400-ZB60A – Rear Member (**Qty 1**)
- 20692-65J00 – Gasket, Exhaust (**Qty. 1**)
- 01225-00072 – Nut, Link Arm (**Qty 4**) (This is the inner nut for the front and rear lower links)
- 55269-AG005 – Nut Special (**Qty 4**) (This is the nut for the upper arm assembly)

**NOTE C:** This part number may supersede to 55400-ZB00K.

**CLAIMS INFORMATION**

Submit a Campaign (CM) line claim using the following claims coding:

“CM” I.D.: PB016

DESCRIPTION	OP CODE	FRT
RPL Rear Suspension Member Assy ( <u>with</u> ABS)	PB0160	2.7 hrs

**OR:**

DESCRIPTION	OP CODE	FRT
RPL Rear Suspension Member Assy ( <u>w/o</u> ABS)	PB0161	2.6 hrs

