

# DAIMLERCHRYSLER

DaimlerChrysler Corporation  
Stephan J. Speth  
Director  
Vehicle Compliance & Safety Affairs

July 6, 2006

Mr. Daniel Smith  
Associate Administrator, Safety Assurance  
National Highway Traffic Safety Administration  
400 Seventh Street, S.W.  
Washington, D.C. 20590

Dear Mr. Smith:

Reference: NHTSA Identification Number 06V-038

Enclosed are updated copies of the dealer communications which revises the parts application descriptions on page 2 of the referenced recall.

This completes DaimlerChrysler's package of information for this revised recall as required by the Defects Report Regulation.

Sincerely,



for Stephan J. Speth, Director  
Vehicle Compliance and Safety Affairs

Enclosure: Recall F05 Revised

cc: K.C. DeMeter

Dealer Service Instructions for:

# **Safety Recall F05**

## **Antilock Brake System Control Module**

**Please remove and discard from your files all previous copies of Safety Recall F05 (dated June 2006). This revision has additional parts information to clarify the ABS Control Module application for Dodge Ram Mega Cab models.**

### **Models**

- 2006 (DR) Dodge Ram Pickup Truck (1500 Series)**
- 2006 (DH) Dodge Ram Pickup Truck (1500 Mega Cab & 2500 Series)**
- 2006 (D1) Dodge Ram Pickup Truck (3500 Series)**
- 2006 (ND) Dodge Dakota Pickup Truck**

*NOTE: This recall applies only to the above vehicles equipped with a Four-Wheel Antilock Brake System (sales code **BGK** or **BRT**) built from September 12, 2005 through December 11, 2005 (MDH 091221 through 121114).*

***IMPORTANT: Many of the vehicles within the above build period have already been inspected or repaired and, therefore, have been excluded from this recall.***

**IMPORTANT: Some of the involved vehicles may be in dealer new vehicle inventory. Federal law requires you to complete this recall service on these vehicles before retail delivery. Dealers should also consider this requirement to apply to used vehicle inventory and should perform this recall on vehicles in for service. Involved vehicles can be determined by using the VIP inquiry process.**

### **Subject**

The Antilock Brake System (ABS) control module on about 37,900 of the above vehicles may cause the rear brakes to lock up during certain braking conditions. This could result in a loss of vehicle control and cause a crash without warning.

### **Repair**

The ABS control module must be replaced and initialized with the StarSCAN tool.

<b>Parts Information</b>
--------------------------

**A. DH/D1 (1500 Mega Cab / 2500 / 3500 Dodge Truck):****Part Number    Description****CBE0F051    ABS Control Module Package**

Each package contains the following components:

<u>Quantity</u>	<u>Description</u>
1	Module, ABS Control
4	Screw, Mounting

**Each dealer** to whom vehicles in the recall were assigned will receive enough ABS Control Module packages to service about 25% of those vehicles.

**B. DR (1500 Dodge Truck):****Part Number    Description****CBA0F053    ABS Control Module Package**

Each package contains the following components:

<u>Quantity</u>	<u>Description</u>
1	Module, ABS Control
4	Screw, Mounting

**Each dealer** to whom vehicles in the recall were assigned will receive enough ABS Control Module packages to service about 25% of those vehicles.

**C. ND (Dodge Dakota):****Part Number    Description****CBA0F052    ABS Control Module Package**

Each package contains the following components:

<u>Quantity</u>	<u>Description</u>
1	Module, ABS Control
4	Screw, Mounting

**Each dealer** to whom vehicles in the recall were assigned will receive enough ABS Control Module packages to service about 25% of those vehicles.

**Parts Information (Continued)**

The ABS module part number for the vehicle to be serviced may also be determined as follows:

- From the DealerCONNECT “Service” tab, in the “Write Up” box under “Vehicle Information Plus” select “Single VIN Inquiry.” Enter the VIN and odometer reading and click the “View” button. Select the Recall Tab and the recall part number will be displayed.
- From the DealerCONNECT “Service” tab, select “Global Recall System.” Click on the recall number, select “List by VIN” from drop down menu, and click the “Submit” button. A list of incomplete involved vehicles for your dealer will be generated.

**NOTE: If F05 is not listed, there are no involved vehicles assigned to your dealer code.**

**Special Tools**

The following existing special tools will be required to perform this repair:

- CH9401\* StarSCAN Tool
- CH9404\* StarSCAN Vehicle Cable
- CH9409\* StarSCAN Documentation Kit
- CH9410\* StarSCAN Ethernet Cable 12 ft.
- CH9412\* StarSCAN Software Update Device Kit

\* Part of CH9400 kit.

**Service Procedure**

**NOTE:** The StarSCAN must be used to initialize the new ABS control module after installation.

1. Disconnect the negative battery cable(s).

**NOTE:** To enhance customer satisfaction, remember to reset the clock when you have completed the service procedure.

2. Clean the ABS control module to prevent dirt from falling into the hydraulic control unit when the ABS control module is removed.

**NOTE:** The ABS control module is located next to the battery on DR/DH and D1 models (Dodge Ram Truck) (Figure 1). The ABS control module is located under the Power Distribution Center on ND models (Dodge Dakota) (Figure 2).

3. Pull up on the ABS control module harness connector lock and disconnect the wiring from the ABS control module (Figure 1).

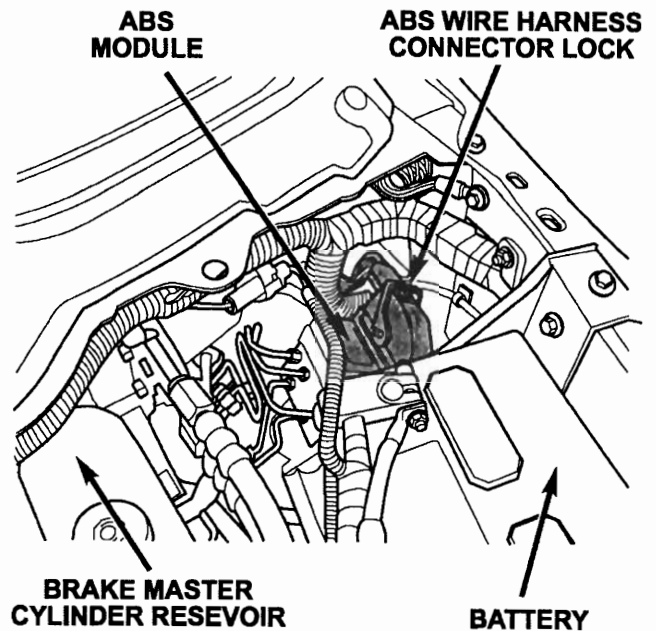


Figure 1 – DR/DH/D1 Models

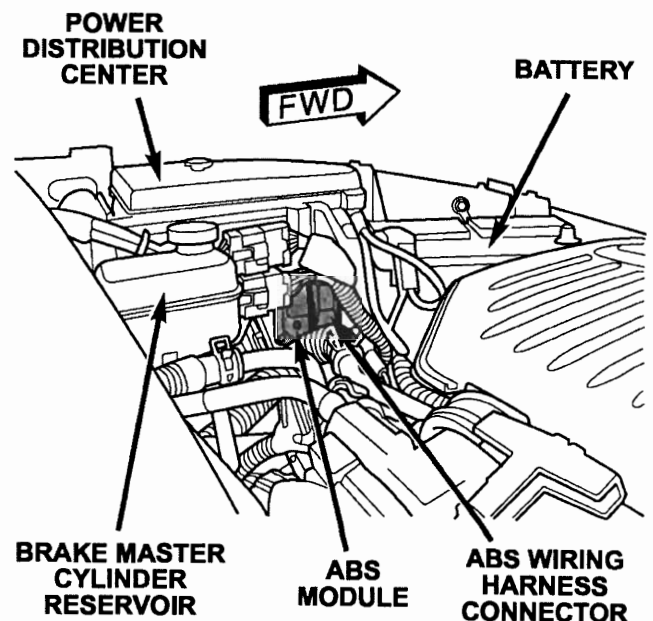
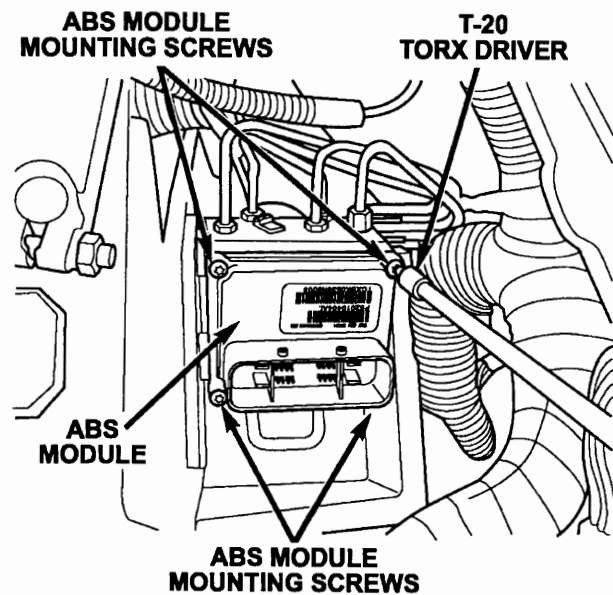


Figure 2 – ND Model

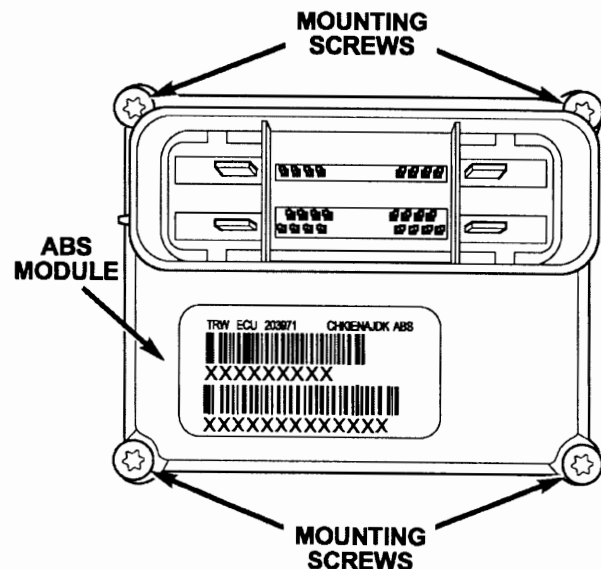
**Service Procedure (Continued)**

4. Using a T-20 Torx driver, remove and discard the ABS control module mounting screws (Figure 3).
5. Remove and discard the ABS control module from the Hydraulic Control Unit (HCU).
6. Install the new ABS control module onto the HCU.
7. Install the new ABS control module mounting screws included in the kit (Figure 4). Tighten the screws to 35 in. lbs. (4 N·m).



**Figure 3**

8. Connect the wiring harness to the ABS control module and push down on the connector lock to secure the connector.
9. Connect the negative battery cable(s) to the negative battery terminal(s).
10. Connect the StarSCAN to the data link connector located under the steering column.
11. Place the ignition key in the “**RUN**” position (engine not running).
12. Push the power button on the StarSCAN and wait for the scan tool to “power up.”
13. From the Home Screen, select “**ECU VIEW**”.
14. Select “**ABS Anti-lock Brakes / Electronic Stability**”.
15. Select “**Misc. Functions**” on the screen.
16. Select “**Initialize ECU**” and then press the “**START**” button.
17. Press the “**NEXT**” button.



**Figure 4**

**Service Procedure (Continued)**

18. Follow the scan tool screen prompts to complete the ECU initializing process.
19. Select the “**BACK**” button twice.
20. After completing ABS control module reprogramming clear all fault codes using the following procedure:
  - a. Return to the “**Main Menu**” (Home Page) and select “**System View**”.
  - b. Select “**All DTC’s**”
  - c. Select “**Clear All Stored DTC’s**” and then follow the screen prompts.
21. Remove the StarSCAN from the vehicle.

**Completion Reporting and Reimbursement**

Claims for vehicles that have been serviced must be submitted on the DealerCONNECT Claim Entry Screen located on the Service tab. Claims submitted will be used by DaimlerChrysler to record recall service completions and provide dealer payments.

Use the following labor operation number and time allowance:

	<b>Labor Operation Number</b>	<b>Time Allowance</b>
Replace ABS Control Module (Includes initializing the new module with the StarSCAN tool)	08-F0-51-82	0.5 hours

Add the cost of the recall parts package plus applicable dealer allowance to your claim.

NOTE: See the Warranty Administration Manual, Recall Claim Processing Section, for complete recall claim processing instructions.

**Dealer Notification**

All dealers will receive a copy of this dealer recall notification letter by mail. Two additional copies will be sent through the DCMMS. To view this notification on DealerCONNECT, select “Global Recall System” on the Service tab, then click on the description of this notification.

### **Owner Notification and Service Scheduling**

All involved vehicle owners known to DaimlerChrysler are being notified of the service requirement by first class mail. They are requested to schedule appointments for this service with their dealers. A generic copy of the owner letter is attached.

Enclosed with each owner letter is an Owner Notification postcard to allow owners to update our records if applicable.

Dealers are encouraged to consider alternative scheduling and servicing approaches for this recall. This repair does not require hoists or other full service facility special equipment and is a DaimlerChrysler Mobile Service approved repair.

### **Vehicle Lists, Global Recall System, VIP and Dealer Follow Up**

All involved vehicles have been entered into the DealerCONNECT Global Recall System (GRS) and Vehicle Information Plus (VIP) for dealer inquiry as needed.

GRS provides involved dealers with an updated VIN list of their incomplete vehicles. The owner's name, address and phone number are listed if known. Completed vehicles are removed from GRS within several days of repair claim submission.

To use this system, click on the “**Service**” tab and then click on “**Global Recall System.**” Your dealer's VIN list for each recall displayed can be sorted by: those vehicles that were unsold at recall launch, those with a phone number, city, zip code, or VIN sequence.

**Dealers must perform this repair on all unsold vehicles before retail delivery.** Dealers should also use the VIN list to follow up with all owners to schedule appointments for this repair.

*Recall VIN lists may contain confidential, restricted owner name and address information that was obtained from the Department of Motor Vehicles of various states. Use of this information is permitted for this recall only and is strictly prohibited from all other use.*

### **Additional Information**

If you have any questions or need assistance in completing this action, please contact your Service and Parts District Manager.

Customer Services Field Operations  
DaimlerChrysler Corporation



*Buckle up  
for Safety!*

**SAFETY RECALL F05  
ANTILOCK BRAKE SYSTEM CONTROL MODULE**

Dear: (Name)

This notice is sent to you in accordance with the requirements of the National Traffic and Motor Vehicle Safety Act. DaimlerChrysler Corporation has decided that a defect, which relates to motor vehicle safety, exists in some **2006 model year Dodge Ram and Dakota pickup trucks equipped with a Four-Wheel Antilock Brake System (ABS).**

***The problem is...*** **The ABS control module on your truck (VIN: xxxxxxxxxxxxxxxxxxxx) may cause the rear brakes to lock up during certain braking conditions. This could result in a loss of vehicle control and cause a crash without warning.**

***What your dealer will do...*** **DaimlerChrysler will repair your vehicle free of charge (parts and labor). To do this, your dealer will replace the ABS control module. The work will take about ½ hour to complete. However, additional time may be necessary depending on how dealer appointments are scheduled and processed.**

***What you must do to ensure your safety...*** **Simply contact your dealer right away to schedule a service appointment. Ask the dealer to hold the part for your vehicle or to order it before your appointment. Remember to bring this letter with you to your dealer.**

***If you need help...*** **If you have questions or concerns which your dealer is unable to resolve, please contact DaimlerChrysler at 1-800-853-1403.**

Please help us update our records, by filling out the enclosed prepaid postcard, if any of the conditions listed on the card apply to you or your vehicle. Be sure to print the last eight (8) characters of the VIN (VVVVVVVV) and notification code F05 on the postcard.

If you have already experienced this condition and have paid to have it repaired, you may send your original receipts and/or other adequate proof of payment to the following address for reimbursement: DaimlerChrysler P.O. Box 4639 Oak Ridge, TN 37831, Attention: Reimbursement.

If your dealer fails or is unable to remedy this defect without charge and within a reasonable time, you may submit a written complaint to the Administrator, National Highway Traffic Safety Administration, 400 Seventh Street, S.W., Washington, DC 20590, or call the toll-free Vehicle Safety Hotline at 1-888-327-4236 (TTY 1-800-424-9153), or go to <http://www.safercar.gov>.

We're sorry for any inconvenience, but we are sincerely concerned about your safety. Thank you for your attention to this important matter.

Customer Services Field Operations  
DaimlerChrysler Corporation  
Notification Code F05

*Note to lessors receiving this recall: Federal regulation requires that you forward this recall notice to the lessee within 10 days.*