

DAIMLERCHRYSLER

RECEIVED
NVS-215

2006 MAY 30 P 1: 38

OFFICE OF
DEFECTS INVESTIGATION

DaimlerChrysler Corporation

Stephan J. Speth

Director

Vehicle Compliance & Safety Affairs

May 24, 2006

Mr. Daniel Smith
Associate Administrator, Safety Assurance
National Highway Traffic Safety Administration
400 Seventh Street, S.W.
Washington, D.C. 20590

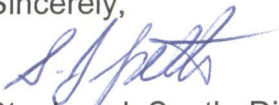
Dear Mr. Smith:

Reference: NHTSA Identification Number 06V-037

Enclosed are updated copies of the dealer communications which revises the part number table on page 4 of the referenced recall.

This completes DaimlerChrysler's package of information for this revised recall as required by the Defects Report Regulation.

Sincerely,



Stephan J. Speth, Director
Vehicle Compliance and Safety Affairs

Enclosure: Recall F04 Revised

cc: K.C. DeMeter

Revised May 2006

Dealer Service Instructions for:

Safety Recall F04

Third Row Seat Belt Bracket Cover

NOTE: The seat belt part number table on page 4 has been revised.

Models

2006 (XK) Jeep® Commander

NOTE: This notification applies only to the above vehicles built through October 6, 2005 (MDH 100612).

IMPORTANT: Some of the involved vehicles may be in dealer new vehicle inventory. Federal law requires you to complete this recall service on these vehicles before retail delivery. Dealers should also consider this requirement to apply to used vehicle inventory and should perform this recall on vehicles in for service. Involved vehicles can be determined by using the VIP inquiry process.

Subject

The 3rd row outboard seat belts on about 24,000 of the above vehicles may rub against the side of the seat belt bracket and fray at the edges. This could cause the seat belt to fail in certain crash conditions, which can increase the risk of injury to passengers in these seating positions.

Repair

A plastic cover must be installed over the right and left third row seat belt bracket. If either seat belt is frayed at the edges, it must be replaced.

Parts Information

<u>Part Number</u>	<u>Description</u>
CEC0F040	Seat Belt Bracket Cover

Each package contains the following components:

<u>Quantity</u>	<u>Description</u>
2	Seat Belt Bracket Cover

Each dealer to whom vehicles in the recall were invoiced will receive enough **Seat Belt Bracket Cover** Packages to service about 10% of those vehicles.

Service Procedure

A. Seat Belt Inspection and Bracket Cover Installation

1. Inspect the third row seat belts for fraying by pulling the seat belt out until it stops. If any portion of the seat belt is frayed at the edges, continue to **Section “B” Seat Belt Replacement**. If the seat belts are not frayed at the edges, continue to step 2.
2. From the rear of the vehicle, move the seat belt away from the plastic seat belt trim cover on the seat back and remove the two screws (Figure 1).
3. Using a trim stick, gently pry up the seat belt trim cover at both rear corners.
4. Remove the seat belt trim cover.

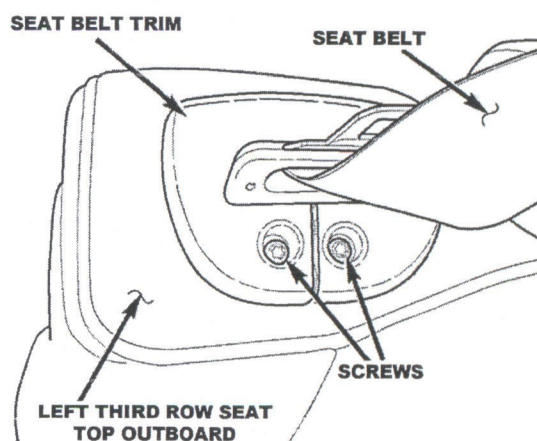


Figure 1

Service Procedure (Continued)

5. Gently pull back on the seat back cover fabric to expose the seat belt metal bracket (Figure 2).
6. Insert the plastic bracket cover between the seat back fabric and the seat back plastic bolster (Figure 2).
7. Slide the plastic bracket cover rearward and tuck the front corners of the plastic bracket cover underneath the seat back plastic bolster as shown in Figure 3.

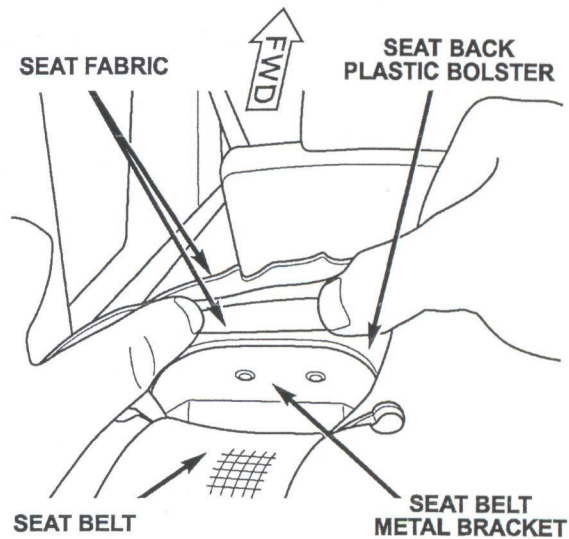


Figure 2

8. Slide the plastic bracket cover forward until seated. The two threaded screw holes for the seat belt trim cover should be centered in the opening of plastic bracket cover.
9. Install the seat belt trim cover.
10. Install the two screws for the seat belt trim cover.
11. Repeat Steps 1 through 10 for the other seat belt.

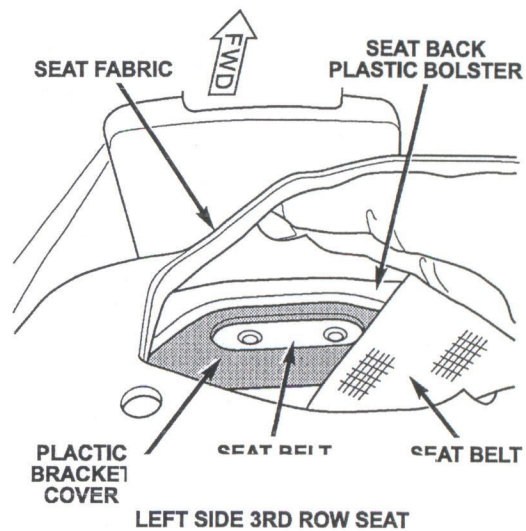


Figure 3 – LEFT SIDE SHOWN

Service Procedure (Continued)

B. Seat Belt Replacement

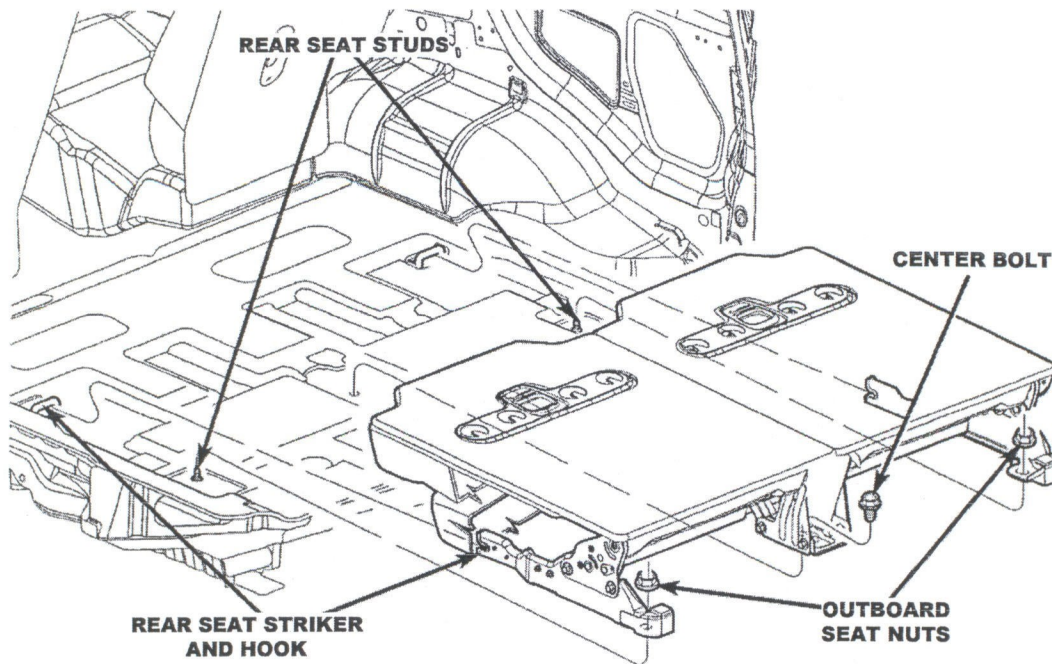
NOTE: Only those seat belts that are frayed at the edges, as determined by the inspection in Section “A” require replacement. Very few vehicles are expected to require seat belt replacement.

- Using the chart below, order the correct seat belt part number.

THIRD ROW OUTBOARD SEAT BELT PART NUMBER TABLE

Trim Color	Trim Code	Right or Left Side Seat Belt
Medium Slate Gray	*K7-D5, *CL-D5	5JX14BD5AD
Dark Slate Gray	*SL-D1	5JX14XDVAD
Medium Khaki	*K7-J3	5JX14ZJ3AD
Light Gray Stone	*SL-J1	5JX14BD1AD

- Remove cargo storage bin lid.
- Remove the lift gate scuff plate.
- Remove the two nuts securing the cargo storage bin.
- Remove the cargo storage bin from the vehicle and set it aside.

Service Procedure (Continued)**Figure 4**

6. Remove the center bolt between the seat bottom frame. (Figure 4)
7. Remove the two outer nuts from the seat bottom frame. (Figure 4)
8. Lift the seat assembly up off the rear studs and release the front hooks from the strikers. (Figure 4)
9. Remove the seat from the vehicle and place it on a clean work surface.

Service Procedure (Continued)

10. Remove the bolt holding the seat belt lower anchor to the outboard rear corner of the third row seat support bracket. (Figure 5)

11. Move the seat belt away from the plastic seat belt trim cover and remove the two screws (Figure 1).

12. Using a trim stick, gently pry up the seat belt trim cover at both rear corners.

13. Remove the seat belt trim cover.

14. Remove the screw for the seat pivot trim cover and remove cover (Figure 5).

15. Remove the plastic trim for the seat back latch loop located on the outboard side near the top.

16. Remove the grocery bag hook panel from the seat back.

17. Using a suitable tool, separate the plastic fasteners holding the seat back trim panel to the seat back as follows:

- a. along the inboard side, four fasteners
- b. along the bottom side, two fasteners
- c. along the outboard side, three fasteners

Do not separate the upper two middle and center panel fasteners.

NOTE: Do not pull on the seat back panel to remove. The fasteners may pull through the seatback panel fiber board and damage the panel.

18. Holding the edge of the back trim panel, push upward and then pull out to release the three remaining fasteners.

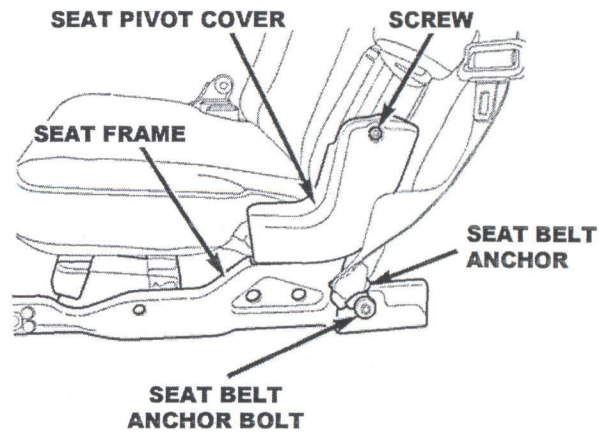


Figure 5 – LEFT THIRD ROW SEAT

Service Procedure (Continued)

19. Peel back the fabric on the bottom of the head rest and release the head rest from its stanchions. Place the head rest on a clean surface.
20. Unhook the inboard, outboard, and top seat back fabric from the seat back frame.
21. From the back of the seat, push the fabric upwards over the seat frame top.
22. Peel the seatback fabric and foam cushion from the front of the seat back frame.
23. Remove the two screws holding the plastic bolster and remove bolster.
24. Remove the retractor bolt that secures the retractor retainer bracket to the top of the retractor pocket on the front upper outboard corner of the seat back frame (Figure 6).
25. Remove the retractor retainer bracket from the top of the retractor pocket on the seat back frame (Figure 6).
26. Remove the seat belt retractor assembly bolt below the pull strap from the back of the seat back frame (Figure 7).
27. Remove the seat belt and retractor assembly from the top of the pocket on the front side upper outboard corner of the seat back frame.
28. Remove the three seat back trim panel fasteners from the seat back metal frame left from Step 18.

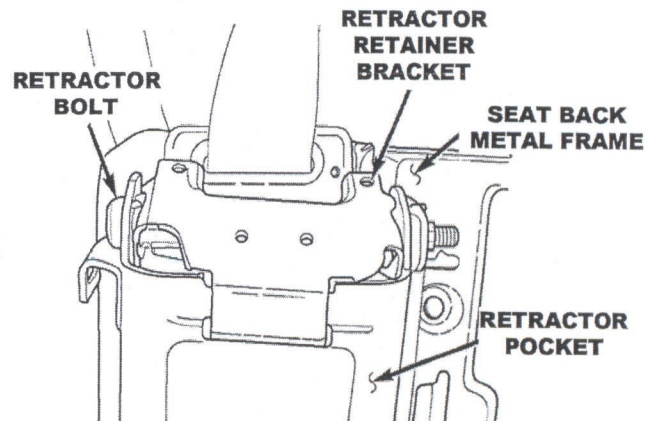


Figure 6 Seat Back Front View

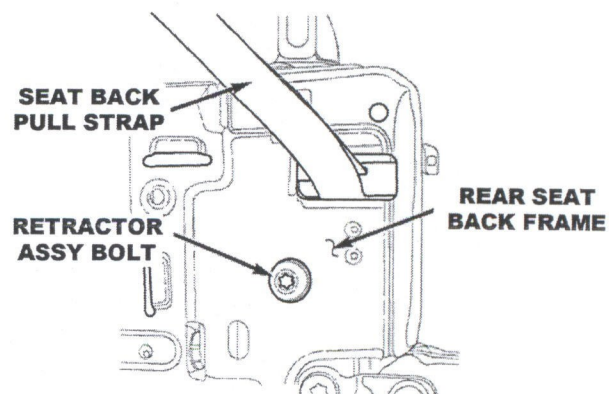


Figure 7 Seat Back Rear View

29. Position the third row seat belt and retractor assembly into the top of the pocket on the front upper outboard corner of the seat back frame. Be certain to engage the tab on the retractor into the slot within the pocket.
30. Install and tighten the seat belt retractor assembly bolt below the pull strap from the back of the seat back frame that secures the retractor. Tighten the screw to 32 ft-lbs (43 N·m) (Figure 7).
31. Position the retractor retainer bracket over the top of the retractor pocket on the front upper outboard corner of the seat back frame (Figure 6).
32. Install and tighten the retractor bolt that secures the retainer bracket to the top of the retractor pocket on the seat back frame. Tighten the bolt to 32 ft-lbs (43 N·m) (Figure 6).
33. Install seat belt bracket cover (**PN CEC0F040**) over the retractor retainer bracket (Reference Figure 3).
34. Install the plastic bolster/cover and tighten the two screws.
35. Pull the seat fabric and foam cushion up and insert the head rest stanchions through the holes in the fabric.
36. Install the seat fabric starting at the outboard corner of the seat frame top.
37. Pull the seat back assist strap through the fabric opening.
38. Hook the inboard, outboard, and upper rear plastic tabs of the seat back fabric into the rear of the seat back frame anchor slots.
39. Insert the three plastic panel clips removed in Step 28 into the slot-hole of the seat back trim panel.
40. Install seat back trim panel.
41. Install grocery bag hook panel onto the back seat trim panel.
42. Install the bolt holding the seat belt lower anchor (Figure 4) to the outboard rear corner of the third row seat support bracket. Tighten to 32 ft-lbs (43 N·m) (Figure 5).
43. Install the plastic seat belt trim cover and tighten the two screws.
44. Install the seat pivot trim cover and tighten screw.
45. Lift the seat assembly into the vehicle.

Service Procedure Continued

- 46. Latch the front hooks to the striker and lower the rear seat assembly onto the studs and locator pins (Figure 4).
- 47. Install the center bolt and tighten to 37 ft-lbs (50 N·m) (Figure 4).
- 48. Install the outer nuts and tighten to 37 ft-lbs (50 N·m). (Figure 4)
- 49. Install the cargo storage bin and tighten the two nuts.
- 50. Install the lift gate scuff plate and tighten screws.
- 51. Install the cargo storage bin lid.

Completion Reporting and Reimbursement

Claims for vehicles that have been serviced must be submitted on the DealerCONNECT Claim Entry Screen located on the Service tab. Claims submitted will be used by DaimlerChrysler to record recall service completions and provide dealer payments.

Use the following labor operation numbers and time allowances:

	Labor Operation Number	Time Allowance
Install right and left seat belt bracket covers.	23-F0-41-82	0.2 hours
Install right and left seat belt bracket covers and replace one seat belt retractor assembly.	23-F0-41-83	0.8 hours
Install right and left seat belt bracket covers and replace both seat belt retractor assemblies.	23-F0-41-84	1.3 hours

Add the cost of the recall parts package plus applicable dealer allowance to your claim.

NOTE: See the Warranty Administration Manual, Recall Claim Processing Section, for complete recall claim processing instructions.

Dealer Notification

All dealers will receive a copy of this dealer recall notification letter by mail. Two additional copies will be sent through the DCMMS. To view this notification on DealerCONNECT, select “Global Recall System” on the Service tab, then click on the description of this notification.

Owner Notification and Service Scheduling

All involved vehicle owners known to DaimlerChrysler are being notified of the service requirement by first class mail. They are requested to schedule appointments for this service with their dealers. A generic copy of the owner letter is attached.

Enclosed with each owner letter is an Owner Notification postcard to allow owners to update our records if applicable.

Dealers are encouraged to consider alternative scheduling and servicing approaches for this recall. This repair does not require hoists or other full service facility special equipment and is a DaimlerChrysler Mobile Service approved repair.

Vehicle Lists, Global Recall System, VIP and Dealer Follow Up

All involved vehicles have been entered into the DealerCONNECT Global Recall System (GRS) and Vehicle Information Plus (VIP) for dealer inquiry as needed.

GRS provides involved dealers with an updated VIN list of their incomplete vehicles. The owner's name, address and phone number are listed if known. Completed vehicles are removed from GRS within several days of repair claim submission.

To use this system, click on the “**Service**” tab and then click on “**Global Recall System.**” Your dealer's VIN list for each recall displayed can be sorted by: those vehicles that were unsold at recall launch, those with a phone number, city, zip code, or VIN sequence.

Dealers must perform this repair on all unsold vehicles before retail delivery. Dealers should also use the VIN list to follow up with all owners to schedule appointments for this repair.

Recall VIN lists may contain confidential, restricted owner name and address information that was obtained from the Department of Motor Vehicles of various states. Use of this information is permitted for this recall only and is strictly prohibited from all other use.

Additional Information

If you have any questions or need assistance in completing this action, please contact your Service and Parts District Manager.

Customer Services Field Operations
DaimlerChrysler Corporation

*Buckle up
for Safety!*

SAFETY RECALL F04 – THIRD ROW SEAT BELT BRACKET COVER

Dear: (Name)

This notice is sent to you in accordance with the requirements of the National Traffic and Motor Vehicle Safety Act. DaimlerChrysler Corporation has decided that a defect, which relates to motor vehicle safety, exists in some **2006 model year Jeep® Commander** vehicles.

The problem is... The 3rd row outboard seat belts on your vehicle (VIN: xxxxxxxxxxxxxxxxx) may rub against the seat belt bracket and fray at the edges. This could cause the seat belt to fail in certain crash conditions, which can increase the risk of injury to passengers in these seating positions.

What your dealer will do... DaimlerChrysler will repair your vehicle free of charge (parts and labor). To do this, your dealer will inspect the seat belts and install a plastic bracket cover over each metal bracket. The work will take about ½ hour to complete. If seat belt replacement is required, the work will take about 1 ½ hours to complete. However, additional time may be necessary depending on how dealer appointments are scheduled and processed.

What you must do to ensure your safety... Simply **contact your dealer** right away to schedule a service appointment. Ask the dealer to hold the parts for your vehicle or to order them before your appointment. **Remember to bring this letter with you to your dealer.**

If you need help... If you have questions or concerns which your dealer is unable to resolve, please contact DaimlerChrysler at 1-800-853-1403.

Please help us update our records, by filling out the enclosed prepaid postcard, if any of the conditions listed on the card apply to you or your vehicle. Be sure to print the last eight (8) characters of the VIN (VVVVVVVV) and notification code F04 on the postcard.

If you have already experienced this condition and have paid to have it repaired, you may send your original receipts and/or other adequate proof of payment to the following address for reimbursement: DaimlerChrysler P.O. Box 4639 Oak Ridge, TN 37831, Attention: Reimbursement.

If your dealer fails or is unable to remedy this defect without charge and within a reasonable time, you may submit a written complaint to the Administrator, National Highway Traffic Safety Administration, 400 Seventh Street, S.W., Washington, DC 20590, or call the toll-free Vehicle Safety Hotline at 1-888-327-4236 (TTY 1-800-424-9153), or go to <http://www.safercar.gov>.

We're sorry for any inconvenience, but we are sincerely concerned about your safety. Thank you for your attention to this important matter.

Customer Services Field Operations
DaimlerChrysler Corporation
Notification Code F04

Note to lessors receiving this recall: Federal regulation requires that you forward this recall notice to the lessee within 10 days.