



To: Lotus Service Personnel  
Service Managers, Service Advisors, Technicians & Warranty Administrators, Parts Managers

**Subject: Technical Service Recall Bulletin 2006/1R Elise Gear Shifter Lever Replacement.**

Dear Colleagues:

Please find enclosed a copy of the above listed Technical Service Bulletin (TSB) 2006/1R describing the method of retro fitment of the larger diameter round gear shifter lever to affected Lotus Elise VIN's that were fitted with smaller hexagonal shifter levers at the time of production. Also enclosed is as an example of the recall notification letter to be sent registered mail to all affected Lotus vehicle owners within the next 5 days.

Your Parts Departments will have now received an initial mandatory stock of the 6 part numbers listed in the bulletin. From the customer detail records taken from the Dealer Connect system, this initial stock should ensure that you have parts available to accommodate 50% of the total vehicles sold by your dealership before your Parts Department will need to order any further stock from Lotus Cars USA. Initially this should ensure that your workshop has enough stock to repair any affected vehicles you may have either in dealer stock, currently in the workshop for other non related repair work or as and when the affected Elise owners make contact with the Service Department.

In the event that the initial stock supplied by Lotus Cars USA should begin to run low, then please ensure that further parts to carry out this recall are ordered in a timely manner to ensure that no vehicle is kept off road due to stock availability at the dealership. Claim submission of VOR/freight charges for these parts cannot be accepted by the Warranty Department.

The claim submission procedure is exactly the same as described in the last warranty bulletin for TSB 2006/02 except that the campaign reference for the renewal of the shifter lever using option DC603 in Dealer Connect is 2006/1R. ***For the avoidance of doubt, this claim cannot be submitted in DC602.***

Please ensure that you check all dealer inventories as well as any Elise that enters the workshop to see if it is affected by this or any other campaign by referring to the VIN list displayed on the bulletin as well as using option DC611 on the Dealer Connect Warranty System. In the event that a vehicle within the affected VIN range does not display an 'Outstanding Campaign' message, then firstly check to see if the campaign has been previously carried out by selecting the 'Campaign' option on DC611, or contact the Warranty Department at Lotus Cars USA. Vehicles that have had either the complete shifter lever/emergency brake assembly (E120F0001F) fitted or just the 12mm round lever (A120F0009S) retrofitted already will not require this campaign to be carried out.

The reason for this bulletin being released to the dealer network before notification letters are sent to the affected vehicle owners is to allow all relevant members of dealership personnel the opportunity to familiarise themselves with the contents of the bulletin as well as the contents of the letter to be sent to the vehicle owners, before any owner enquires are received by the dealership.

The other reason is to allow the workshop time to make allowances in their work load schedule to ensure that not only are affected owners vehicles attended to in a reasonable time period, but once they enter the workshop, they are repaired within an acceptable time period.



As Lotus Cars USA is required to report the progress rate of this recall to NHTSA it is essential that a claim is submitted for any 2006/1R repair which is successfully carried out within 24 hours of rectification. This will ensure that the 'outstanding campaign' flag is removed for that VIN as soon as the claim is approved (which is immediately as claims submitted in DC603 are not subject to manual adjudication).

Lotus Cars USA will also supply Carfax with the initial VIN list of vehicles affected (but not owner details) and will supply reports back to Carfax on a regular basis of any vehicle VIN's still outstanding for this recall. So again it is vitally important that not only is the recall action performed immediately on any affected vehicles, but it is also claimed for on Dealer Connect as quickly as possible as well.

Although Lotus Cars USA fully understands the sensitive nature of the recall, and also realizes that some affected Elise owners may seem distressed by the notification letters contents, it will not be Lotus Cars USA, policy to either arrange or pay for transportation costs of any vehicle to an authorized dealership purely for this recall action to be carried out.

If the Elise owner has not experienced any issues with their gear shifter lever to date, then please bring to their attention the wording shown under the 2<sup>nd</sup> paragraph of the notification letter which states that 'care should be used when changing gear' and 'it may break if subjected to high handling force'.

In the event that an affected vehicle VIN has had an aftermarket shifter assembly fitted please consult the vehicle owner before carrying out the recall, and if the vehicle owner does not wish the recall to be carried out, then please contact the Warranty Department at Lotus Cars USA with that vehicles VIN and customer information.

***Please fax a signed copy of this bulletin back to Lotus Cars USA, Inc. to acknowledge receipt of Bulletin 002/06 including TSB 2006/1R and an example of the recall notification letter.***

Kind regards,

Brenda Martin  
Assistant Warranty Manager  
Tel: 770-476-6578  
Fax: 770-476-6541

I have received and understood the contents and the importance of this bulletin and have also informed any other relevant member of Dealership personnel of its importance. I will direct any questions I may have about this bulletin to either my nominated Field Service Engineer or the Warranty Department at Lotus Cars USA, Inc.

Dealer Name: .....

Service Manager Signature: ..... Date: .....

Printed Name: .....



# SERVICE BULLETIN

Date: 8th Feb. 06

Model: Elise

Number:  
2006/1R  
USA

**CLASS 1**

<b>Service Manager</b>	<b>Service Reception</b>	<b>Supervisor</b>	<b>Parts Manager</b>

**TITLE:** Fitment of modified gear lever

**REASON:** The original gear lever on the 6-speed Elise (introduced in May 2004) was fabricated from hexagonal section steel bar with welded steel plate reinforcement. It has been found that this gear lever may break if subjected to high handling force. Lotus is undertaking to replace all early type gear levers with a modified design to assure the highest level of safety.

**ACTION:** All Elise models in the VIN range detailed below are being recalled in order for the gear lever assembly to be updated to an revised design using a larger diameter round section bar of higher material specification.

- Lotus is using its own and dealer sales records, in conjunction with data from vehicle registration authorities, to inform the owners of all affected vehicles, that the vehicle is subject to a precautionary safety recall, and advising them to contact their dealer to have the necessary modification carried out. A specimen letter is attached for information.
- Notwithstanding the above, dealers should immediately contact their own customers wherever possible.
- Lotus Cars USA has allocated and issued each dealer with an initial stock of the necessary parts (see below) based on sales records and owner address information. If and when necessary, additional parts should be ordered in a timely manner as VOR charges will not be accepted.
- Dealers should ensure immediate rectification of any cars in their sales stock or demonstrator fleet. **It is a violation of Federal law for a dealer to deliver a new or used car to which this bulletin relates until the specified modification is carried out.**

### Affected Cars

All cars built since 6-speed model introduction in May '04, until approx. February '05.  
Dealers should consult their sales database and check all such cars on the Lotus Connect system which will identify any outstanding campaigns for each vehicle. For convenience, a hard copy list of VINs for the USA market is attached to this bulletin.  
Note that customers may also check their own VIN on the recall page of the Lotus Cars website ([www.group Lotus.com](http://www.group Lotus.com)) and following the links - Lotus Cars - Aftersales - Product Recalls.

Parts Required	Part Number	Qty
Gear Lever- RHD	A120F0008S	1
Gear Lever- LHD	A120F0009S	1
Lift Tube, reverse select	B120U0017F	1
Lift Tube Adaptor	B120F6259S	1
Spring Clip, lift tube to adaptor	B120W6770F	1
Knob, gear lever, M10	C120U0012F	1
Grub Screw, M5 x 16, knob retention	A120W5292F	1

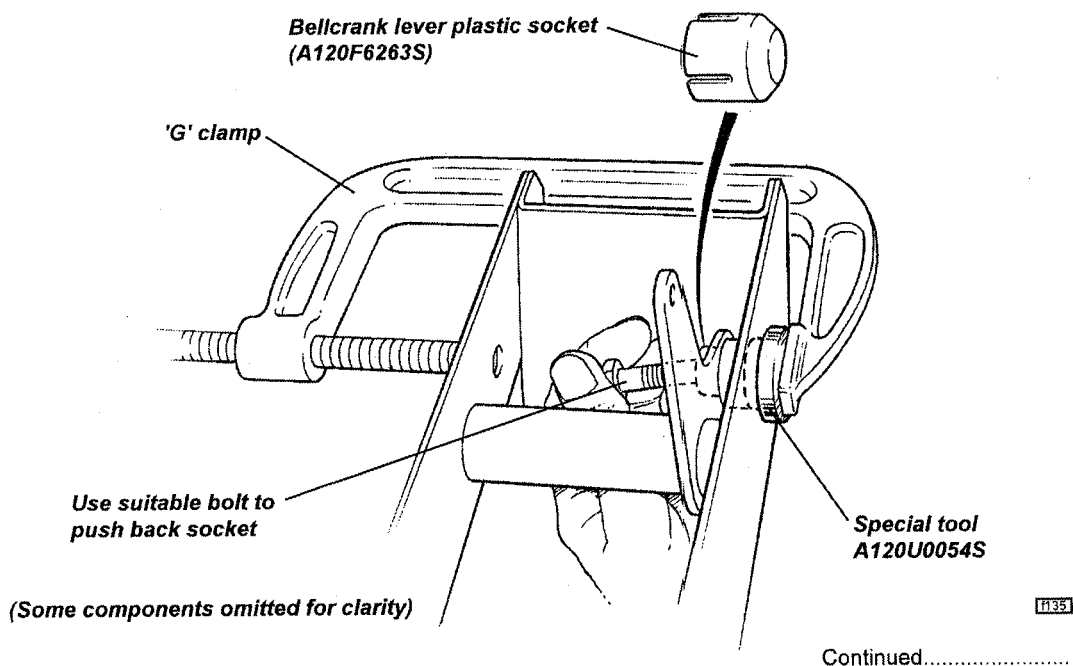
Tools Required	Part Number	Qty
Tool, gear lever bush guide	A120U0054S	1

Continued .....

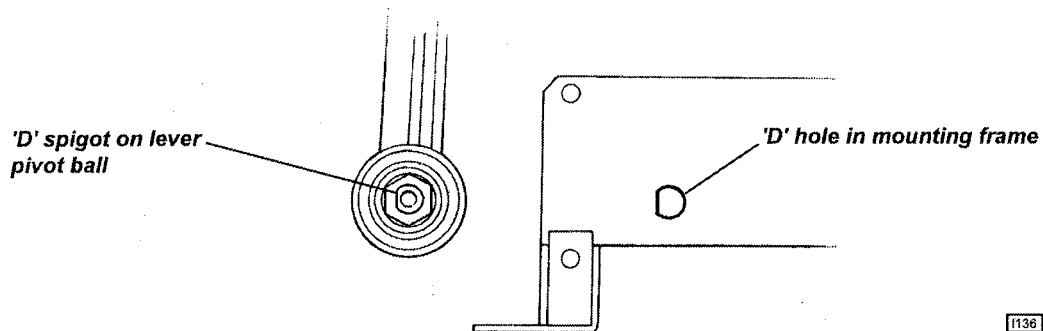
**Procedure**

Replace the gear lever and associated components as follows:

1. Inspect the grub screw drilling in the front of the gear lever knob. **If this is marked with red paint, the modification has already been carried out - take no further action.**  
Release the grub screw (if applicable) in the front face of the gear lever knob, and unscrew the knob.  
**If the knob thread on the lever is M10, the car has the modified lever already - take no further action. (Earlier versions have M7 or M8)**  
For knobs without grub screws, gentle heat may help to soften the thread adhesive.  
Prise off the spring clip from the top of the lift tube adaptor.
2. Release the two grub screws in the underside of the parking brake lever sleeve and withdraw the sleeve.
3. Remove the two screws securing the front of the gear lever shroud and carefully withdraw the gear/park brake shroud, disconnecting the window switch and hazard lamps switch (if applicable). Take care to prevent scratching the shroud on seat belt fixings or seat runners.
4. Release the reverse selector cable from the gear lever and unhook from the lift tube adaptor. Discard the adaptor.
5. Prise off the gear selector cable socket from the gear lever (use a 10mm spanner).
6. From the LH side of the unit, remove the screw securing the gear lever pivot to the mounting frame. Push the top of the gear lever to the right to help disengage the crossgate selector ball at the bottom of the lever from the bellcrank lever socket. Take care not to damage the socket plastic bush which should remain in the bellcrank lever. Discard the gear lever.
7. To allow fitment of the bush guide tool, unhook the main harness from the 'P' clip at the front of the frame, temporarily hook over the outside of the shroud fixing leg and rotate the 'P' clip 90°. Locate the guide tool in the hole at the RH side of the mounting frame and secure in position using a 'G' clamp as shown, but do not crush or distort the frame.



8. Push the plastic socket in the bellcrank lever fully into the guide tool to facilitate installation of the gear lever. Apply a dab of mineral oil based lithium grease (e.g. Molykote Longterm W2) to the socket.
9. Fit the gear lever, feeding the crossgate ball into the bellcrank lever and position the lever upright. Using a suitable screwdriver or pry bar, push the base of the lever over to the right to engage the crossgate ball into the plastic socket (should click home).
10. Remove the 'G' clamp and guide tool, and push the crossgate socket to the left to engage the 'D' feature on the gearlever pivot ball with the matching hole in the LH side of the frame. Apply Permatbond A130 (A912E6033V) to the fixing screw and torque tighten to 10 Nm. Restore harness position.



11. Fit the new lift tube adaptor onto the gear lever and ensure it is free to slide up and down. Hook in the reverse selector cable and secure to the gear lever abutment. Temporarily fit the new lift tube onto the adaptor and screw on the new gear knob. Adjust the cable to allow correct reverse gear selection and tighten adjuster nuts. Remove gear knob and lift tube. Clip the selector cable onto the gear lever ball.
12. Cut the tie strap securing the old lift tube in the gear lever gaiter and fit the new lift tube using a suitable tie strap. Fit the shroud over the parking brake and gear lever, taking care not to scratch the surface finish, and aligning the flats on the lift tube with those on the lift tube adaptor. Connect the electrical switches as necessary, and retain the shroud with the two screws.
13. Use the new spring clip to secure the lift tube to the adaptor, and fit the new gear knob, tightening the grub screw to orientate the graphic correctly. Apply red paint to the grub screw drilling in the knob for identification. Fit and secure the parking brake lever sleeve.
14. Check gear selection and reverse inhibit function. Ensure the lift tube returns freely under spring action.

**CHARGES:** Warranty Claims for 1.2hr/car plus material should be submitted on Lotus Connect option DC603 (Bulk Entry Campaign) using code 2006/1R as the campaign number.

# USA

Model Year (# 10)	Last 4 of Serial No.	Model Year (# 10)	Last 4 of Serial No.	Model Year (# 10)	Last 4 of Serial No.	Model Year (# 10)	Last 4 of Serial No.	Model Year (# 10)	Last 4 of Serial No.
5	0002	5	0060	5	0120	5	0177	5	0235
5	0003	5	0062	5	0119	5	0178	5	0236
5	0004	5	0063	5	0122	5	0180	5	0237
5	0005	5	0064	5	0123	5	0181	5	0239
5	0006	5	0065	5	0124	5	0182	5	0240
5	0007	5	0066	5	0125	5	0183	5	0241
5	0008	5	0068	5	0127	5	0184	5	0215
5	0009	5	0067	5	0128	5	0185	5	0242
5	0010	5	0069	5	0121	5	0186	5	0243
5	0011	5	0070	5	0129	5	0188	5	0247
5	0012	5	0071	5	0130	5	0187	5	0248
5	0013	5	0072	5	0131	5	0189	5	0249
5	0014	5	0074	5	0132	5	0190	5	0250
5	0015	5	0073	5	0133	5	0179	5	0251
5	0016	5	0075	5	0134	5	0194	5	0252
5	0017	5	0076	5	0135	5	0191	5	0244
5	0018	5	0077	5	0136	5	0192	5	0245
5	0019	5	0078	5	0137	5	0195	5	0246
5	0020	5	0079	5	0126	5	0196	5	0253
5	0021	5	0080	5	0138	5	0199	5	0254
5	0022	5	0081	5	0139	H	0202	5	0255
5	0023	5	0083	5	0140	H	0204	5	0256
5	0024	5	0084	5	0141	H	0205	5	0258
5	0025	5	0085	5	0142	5	0193	5	0259
5	0027	5	0087	5	0143	5	0198	5	0260
5	0026	5	0088	5	0144	5	0201	5	0238
5	0028	5	0082	5	0145	5	0200	5	0261
5	0029	5	0089	5	0146	5	0203	5	0262
5	0030	5	0090	5	0147	5	0206	5	0263
5	0031	5	0091	5	0148	5	0207	5	0264
5	0032	5	0092	5	0149	5	0197	5	0265
5	0033	5	0094	5	0150	5	0208	5	0266
5	0034	5	0098	5	0151	5	0209	5	0267
5	0035	5	0093	5	0152	5	0210	5	0268
5	0036	5	0097	5	0153	5	0211	5	0269
5	0038	5	0102	5	0154	5	0212	5	0270
5	0039	5	0095	5	0155	5	0213	5	0271
5	0040	5	0096	5	0156	5	0214	5	0272
5	0041	5	0099	5	0157	5	0216	5	0273
5	0043	5	0100	5	0159	5	0217	5	0274
5	0042	5	0103	5	0158	5	0218	5	0275
5	0044	5	0105	5	0160	5	0219	5	0276
5	0045	5	0086	5	0161	5	0220	5	0277
5	0046	5	0101	5	0162	5	0221	5	0278
5	0047	5	0104	5	0163	5	0222	5	0279
5	0049	5	0106	5	0164	5	0223	5	0280
5	0048	5	0107	5	0165	5	0224	5	0281
5	0050	5	0108	5	0166	5	0225	5	0282
5	0051	5	0109	5	0167	5	0228	5	0283
5	0052	5	0110	5	0168	5	0257	5	0284
5	0054	5	0114	5	0169	5	0226	5	0285
5	0055	5	0111	5	0170	5	0229	5	0286
5	0057	5	0112	5	0171	5	0232	5	0287
5	0053	5	0113	5	0172	5	0233	5	0288
5	0056	5	0115	5	0173	5	0227	5	0289
5	0058	5	0116	5	0174	5	0230	5	0290
5	0059	5	0117	5	0175	5	0231	5	0291
5	0061	5	0118	5	0176	5	0234	5	0292

USA

Model Year (# 10)	Last 4 of Serial No.	Model Year (# 10)	Last 4 of Serial No.	Model Year (# 10)	Last 4 of Serial No.	Model Year (# 10)	Last 4 of Serial No.	Model Year (# 10)	Last 4 of Serial No.
5	0294	5	0353	5	0409	5	0468	5	0525
5	0295	5	0354	5	0410	5	0470	5	0526
5	0293	5	0355	5	0411	5	0469	5	0528
5	0296	5	0357	5	0413	5	0471	5	0527
5	0297	5	0352	5	0412	5	0473	5	0529
5	0298	5	0356	5	0414	5	0474	5	0530
5	0299	5	0358	5	0415	5	0450	5	0531
5	0300	5	0359	5	0416	5	0472	5	0532
5	0301	5	0360	5	0417	5	0475	5	0533
5	0302	5	0361	5	0418	5	0476	5	0534
5	0303	5	0362	5	0419	5	0477	5	0535
5	0304	5	0363	5	0420	5	0478	5	0536
5	0305	5	0364	5	0421	5	0479	5	0537
5	0306	5	0366	5	0422	5	0480	5	0538
5	0309	5	0367	5	0423	5	0481	5	0539
5	0310	5	0307	5	0424	5	0482	5	0540
5	0311	5	0365	5	0425	5	0483	5	0541
5	0313	5	0368	5	0426	5	0486	5	0542
5	0314	5	0369	5	0427	5	0485	5	0543
5	0315	5	0370	5	0428	5	0487	5	0544
5	0316	5	0371	5	0429	5	0488	5	0545
5	0317	5	0372	5	0430	5	0489	5	0546
5	0318	5	0373	5	0432	5	0490	5	0547
5	0319	5	0374	5	0431	5	0491	5	0548
5	0320	5	0375	5	0433	5	0492	5	0549
5	0321	5	0376	5	0434	5	0493	5	0550
5	0322	5	0377	5	0435	5	0494	5	0551
5	0323	5	0378	5	0436	5	0495	5	0553
5	0324	5	0379	5	0437	5	0496	5	0554
5	0325	5	0380	5	0438	5	0497	5	0552
5	0326	5	0381	5	0439	5	0498	5	0555
5	0327	5	0382	5	0440	5	0484	5	0556
5	0328	5	0383	5	0441	5	0499	5	0557
5	0329	5	0384	5	0442	5	0500	5	0558
5	0330	5	0385	5	0443	5	0501	5	0559
5	0332	5	0386	5	0444	5	0502	5	0561
5	0333	5	0387	5	0445	5	0503	5	0562
5	0312	5	0388	5	0446	5	0504	5	0563
5	0331	5	0389	5	0447	5	0505	5	0564
5	0334	5	0390	5	0448	5	0506	5	0565
5	0335	5	0391	5	0449	5	0507	5	0567
5	0337	5	0392	5	0451	5	0509	5	0568
5	0338	5	0393	5	0452	5	0510	5	0560
5	0339	5	0394	5	0453	5	0511	5	0566
5	0340	5	0395	5	0454	5	0508	5	0569
5	0341	5	0396	5	0455	5	0512	5	0570
5	0342	5	0397	5	0456	5	0513	5	0571
5	0308	5	0398	5	0457	5	0514	5	0572
5	0336	5	0399	5	0458	5	0515	5	0573
5	0343	5	0400	5	0459	5	0516	5	0574
5	0345	5	0401	5	0460	5	0517	5	0575
5	0346	5	0402	5	0461	5	0518	5	0576
5	0344	5	0403	5	0462	5	0519	5	0577
5	0347	5	0404	5	0463	5	0520	5	0578
5	0348	5	0405	5	0464	5	0521	5	0579
5	0349	5	0406	5	0465	5	0522	5	0580
5	0350	5	0407	5	0466	5	0523	5	0581
5	0351	5	0408	5	0467	5	0524	5	0582

## USA

Model Year (# 10)	Last 4 of Serial No.	Model Year (# 10)	Last 4 of Serial No.	Model Year (# 10)	Last 4 of Serial No.	Model Year (# 10)	Last 4 of Serial No.	Model Year (# 10)	Last 4 of Serial No.
5	0583	5	0674	5	0781	5	0886	5	0986
5	0584	5	0675	5	0783	5	0887	5	0990
5	0585	5	0676	5	0788	5	0895	5	0988
5	0586	5	0678	5	0790	5	0874	5	0992
5	0587	5	0680	5	0792	5	0878	5	0993
5	0588	5	0682	5	0794	5	0888	5	0994
5	0589	5	0687	5	0798	5	0892	5	0995
5	0590	5	0691	5	0800	5	0893	5	0996
5	0591	5	0692	5	0801	5	0894	5	0998
5	0592	5	0693	5	0802	5	0897	5	1000
5	0593	5	0696	5	0804	5	0899	5	1002
5	0594	5	0697	5	0806	5	0901	5	1004
5	0595	5	0699	5	0808	5	0903	5	1006
5	0596	5	0701	5	0810	5	0905	5	1010
5	0598	5	0703	5	0812	5	0907	5	1014
5	0599	5	0705	5	0814	5	0909	5	1016
5	0601	5	0694	5	0742	5	0911	5	1018
5	0603	5	0706	5	0764	5	0915	5	1019
5	0605	5	0708	5	0796	5	0913	5	1012
5	0606	5	0710	5	0815	5	0916	5	1017
5	0610	5	0712	5	0818	5	0917	5	1020
5	0608	5	0714	5	0820	5	0918	5	1021
5	0612	5	0718	5	0821	5	0919	5	1023
5	0613	5	0721	5	0822	5	0920	5	1025
5	0615	5	0723	5	0823	5	0924	5	1027
5	0617	5	0725	5	0825	5	0928	5	1031
5	0619	5	0726	5	0827	5	0930	5	1033
5	0621	5	0728	5	0829	5	0932	5	1035
5	0622	5	0730	5	0831	5	0936	5	1037
5	0624	5	0734	5	0833	5	0934	5	1041
5	0626	5	0716	5	0835	5	0938	5	1042
5	0627	5	0720	5	0837	5	0940	5	1045
5	0629	5	0732	5	0841	5	0941	5	1046
5	0631	5	0736	5	0817	5	0922	5	1048
5	0633	5	0738	5	0839	5	0943	5	1043
5	0635	5	0740	5	0843	5	0944	5	1044
5	0636	5	0743	5	0844	5	0945	5	1049
5	0638	5	0745	5	0845	5	0947	5	1050
5	0644	5	0747	5	0846	5	0948	5	1051
5	0645	5	0748	5	0847	5	0949	5	1052
5	0649	5	0750	5	0848	5	0950	5	1053
5	0640	5	0752	5	0849	5	0951	5	1055
5	0647	5	0754	5	0850	5	0952	5	1057
5	0651	5	0756	5	0851	5	0954	5	1059
5	0652	5	0757	5	0852	5	0956	5	1061
5	0654	5	0758	5	0856	5	0958	5	1062
5	0656	5	0759	5	0860	5	0960	5	1066
5	0658	5	0760	5	0862	5	0961	5	1064
5	0659	5	0761	5	0863	5	0962	5	1068
5	0661	5	0762	5	0854	5	0965	5	1070
5	0663	5	0766	5	0858	5	0963	5	1072
5	0665	5	0768	5	0864	5	0969	5	1076
5	0667	5	0770	5	0865	5	0973	5	1078
5	0668	5	0772	5	0869	5	0977	5	1080
5	0670	5	0774	5	0871	5	0979	5	1084
5	0671	5	0775	5	0875	5	0981	5	1086
5	0672	5	0777	5	0876	5	0982	5	1088
5	0673	5	0779	5	0877	5	0984	5	1093

## USA

Model Year (# 10)	Last 4 of Serial No.	Model Year (# 10)	Last 4 of Serial No.	Model Year (# 10)	Last 4 of Serial No.	Model Year (# 10)	Last 4 of Serial No.	Model Year (# 10)	Last 4 of Serial No.
5	1095	5	1178	5	1269	5	1371	5	1468
5	1101	5	1180	5	1271	5	1373	5	1469
5	1097	5	1182	5	1272	5	1374	5	1471
5	1099	5	1184	5	1273	5	1375	5	1475
5	1102	5	1186	5	1277	5	1376	5	1477
5	1103	5	1188	5	1279	5	1377	5	1473
5	1104	5	1190	5	1280	5	1378	5	1479
5	1105	5	1192	5	1282	5	1379	5	1481
5	1106	5	1194	5	1283	5	1381	5	1486
5	1107	5	1196	5	1284	5	1382	5	1483
5	1108	5	1198	5	1286	5	1383	5	1485
5	1110	5	1200	5	1287	5	1384	5	1487
5	1111	5	1201	5	1289	5	1386	5	1488
5	1113	5	1202	5	1293	5	1390	5	1489
5	1114	5	1204	5	1295	5	1392	5	1490
5	1116	5	1205	5	1296	5	1393	5	1491
5	1118	5	1206	5	1298	5	1396	5	1492
5	1120	5	1207	5	1300	5	1397	5	1493
5	1122	5	1208	5	1304	5	1398	5	1495
5	1124	5	1209	5	1306	5	1400	5	1496
5	1125	5	1210	5	1308	5	1402	5	1497
5	1126	5	1211	5	1310	5	1404	5	1498
5	1127	5	1213	5	1312	5	1406	5	1499
5	1128	5	1215	5	1314	5	1408	5	1501
5	1129	5	1217	5	1315	5	1409	5	1503
5	1130	5	1219	5	1317	5	1413	5	1505
5	1131	5	1221	5	1318	5	1415	5	1509
5	1132	5	1223	5	1319	5	1417	5	1500
5	1134	5	1225	5	1320	5	1419	5	1507
5	1137	5	1227	5	1321	5	1425	5	1510
5	1145	5	1229	5	1322	5	1427	5	1511
5	1135	5	1230	5	1323	5	1428	5	1512
5	1147	5	1232	5	1324	5	1430	5	1513
5	1149	5	1233	5	1326	5	1421	5	1514
5	1150	5	1234	5	1328	5	1431	5	1516
5	1151	5	1235	5	1330	5	1433	5	1518
5	1139	5	1236	5	1334	5	1434	5	1520
5	1141	5	1237	5	1336	5	1435	5	1523
5	1148	5	1238	5	1338	5	1436	5	1525
5	1152	5	1239	5	1340	5	1438	5	1527
5	1153	5	1241	5	1285	5	1440	5	1529
5	1155	5	1243	5	1342	5	1443	5	1531
5	1156	5	1245	5	1343	5	1445	5	1539
5	1158	5	1247	5	1345	5	1447	5	1545
5	1159	5	1249	5	1346	5	1449	5	1533
5	1160	5	1251	5	1347	5	1451	5	1544
5	1162	5	1253	5	1349	5	1453	5	1547
5	1166	5	1255	5	1350	5	1455	5	1549
5	1169	5	1257	5	1351	5	1456	5	1550
5	1170	5	1258	5	1352	5	1457	5	1551
5	1171	5	1260	5	1354	5	1458	5	1552
5	1172	5	1261	5	1356	5	1459	5	1554
5	1157	5	1262	5	1358	5	1460	5	1556
5	1164	5	1263	5	1360	5	1461	5	1558
5	1168	5	1264	5	1364	5	1462	5	1559
5	1173	5	1265	5	1366	5	1463	5	1560
5	1174	5	1266	5	1368	5	1464	5	1561
5	1176	5	1268	5	1370	5	1466	5	1563

USA

Model Year (# 10)	Last 4 of Serial No.	Model Year (# 10)	Last 4 of Serial No.	Model Year (# 10)	Last 4 of Serial No.	Model Year (# 10)	Last 4 of Serial No.	Model Year (# 10)	Last 4 of Serial No.
5	1567	5	1661	5	1743	5	1843	5	1950
5	1569	5	1662	5	1744	5	1844	5	1951
5	1565	5	1663	5	1746	5	1845	5	1952
5	1571	5	1664	5	1748	5	1847	5	1953
5	1573	5	1665	5	1750	5	1848	5	1954
5	1574	5	1666	5	1752	5	1850	5	1955
5	1575	5	1667	5	1753	5	1858	5	1956
5	1576	5	1668	5	1759	5	1859	5	1958
5	1577	5	1670	5	1760	5	1860	5	1959
5	1578	5	1672	5	1762	5	1861	5	1960
5	1579	5	1674	5	1764	5	1862	5	1961
5	1580	5	1676	5	1766	5	1864	5	1962
5	1584	5	1677	5	1768	5	1866	5	1963
5	1585	5	1681	5	1770	5	1868	5	1964
5	1587	5	1685	5	1772	5	1873	5	1966
5	1589	5	1683	5	1774	5	1875	5	1968
5	1591	5	1686	5	1775	5	1877	5	1970
5	1593	5	1687	5	1777	5	1878	5	1972
5	1595	5	1688	5	1778	5	1880	5	1975
5	1597	5	1689	5	1779	5	1882	5	1977
5	1599	5	1690	5	1780	5	1886	5	1978
5	1601	5	1691	5	1781	5	1892	5	1980
5	1602	5	1692	5	1782	5	1893	5	1982
5	1603	5	1693	5	1784	5	1894	5	1988
5	1604	5	1695	5	1786	5	1895	5	1990
5	1605	5	1697	5	1788	5	1896	5	1992
5	1607	5	1699	5	1789	5	1897	5	1994
5	1608	5	1701	5	1791	5	1898	5	1996
5	1609	5	1702	5	1793	5	1899	5	1997
5	1611	5	1704	5	1795	5	1900	5	1999
5	1612	5	1708	5	1797	5	1902	5	2000
5	1613	5	1712	5	1799	5	1903	5	2001
5	1614	5	1706	5	1757	5	1905	5	2002
5	1615	5	1710	5	1801	5	1906	5	2003
5	1619	5	1714	5	1803	5	1908	5	2004
5	1621	5	1716	5	1804	5	1909	5	2005
5	1623	5	1717	5	1805	5	1911	5	2006
5	1625	5	1715	5	1807	5	1913	5	2007
5	1626	5	1718	5	1808	5	1915	5	2009
5	1627	5	1719	5	1809	5	1917	5	2011
5	1617	5	1720	5	1810	5	1919	5	2013
5	1628	5	1721	5	1811	5	1920	5	2015
5	1629	5	1722	5	1817	5	1921	5	2017
5	1630	5	1724	5	1818	5	1922	5	2019
5	1632	5	1725	5	1820	5	1923	5	2021
5	1634	5	1726	5	1822	5	1924	5	2023
5	1636	5	1727	5	1824	5	1925	5	2024
5	1639	5	1728	5	1826	5	1926	5	2026
5	1641	5	1729	5	1828	5	1927	5	2028
5	1643	5	1730	5	1830	5	1929	5	2029
5	1645	5	1732	5	1832	5	1931	5	2030
5	1647	5	1734	5	1833	5	1933	5	2031
5	1651	5	1736	5	1834	5	1935	5	2032
5	1653	5	1739	5	1835	5	1942	5	2033
5	1655	5	1740	5	1838	5	1944	5	2034
5	1657	5	1741	5	1839	5	1946	5	2035
5	1659	5	1679	5	1840	5	1948	5	2036
5	1660	5	1742	5	1842	5	1949	5	2038

**USA**

<b>Model Year (# 10)</b>	<b>Last 4 of Serial No.</b>	<b>Model Year (# 10)</b>	<b>Last 4 of Serial No.</b>	<b>Model Year (# 10)</b>	<b>Last 4 of Serial No.</b>	<b>Model Year (# 10)</b>	<b>Last 4 of Serial No.</b>	<b>Model Year (# 10)</b>	<b>Last 4 of Serial No.</b>
5	2039	5	2131	5	2228	5	2303	5	2399
5	2040	5	2133	5	2230	5	2290	5	2400
5	2041	5	2135	5	2231	5	2305	5	2402
5	2042	5	2137	5	2233	5	2307	5	2379
5	2043	5	2139	5	2234	5	2308	5	2397
5	2044	5	2130	5	2227	5	2309	5	2404
5	2046	5	2141	5	2236	5	2311	5	2406
5	2048	5	2143	5	2237	5	2316	5	2408
5	2050	5	2145	5	2239	5	2317	5	2409
5	2052	5	2146	5	2240	5	2319	5	2410
5	2053	5	2147	5	2241	5	2321	5	2411
5	2054	5	2148	5	2242	5	2331	5	2412
5	2055	5	2149	5	2244	5	2332	5	2413
5	2056	5	2150	5	2245	5	2333	5	2414
5	2057	5	2151	5	2246	5	2335	5	2415
5	2058	5	2152	5	2247	5	2336	5	2417
5	2059	5	2153	5	2249	5	2338	5	2419
5	2060	5	2155	5	2250	5	2342	5	2421
5	2062	5	2156	5	2252	5	2344	5	2422
5	2064	5	2157	5	2253	5	2346	5	2427
5	2066	5	2158	5	2256	5	2312	5	2429
5	2068	5	2159	5	2254	5	2314	5	2433
5	2069	5	2160	5	2257	5	2340	5	2423
5	2071	5	2161	5	2259	5	2348	5	2431
5	2073	5	2165	5	2260	5	2350	5	2434
5	2075	5	2167	5	2262	5	2353	5	2435
5	2077	5	2169	5	2263	5	2355	5	2439
5	2079	5	2170	5	2264	5	2356	5	2441
5	2080	5	2163	5	2265	5	2357	5	2443
5	2082	5	2171	5	2266	5	2358	5	2444
5	2084	5	2172	5	2267	5	2359	5	2445
5	2086	5	2173	5	2268	5	2360	5	2446
5	2088	5	2174	5	2269	5	2361	5	2447
5	2090	5	2175	5	2270	5	2363	5	2448
5	2091	5	2177	5	2271	5	2365	5	2449
5	2092	5	2179	5	2272	5	2367	5	2450
5	2093	5	2181	5	2273	5	2371	5	2451
5	2094	5	2183	5	2274	5	2362	5	2452
5	2095	5	2184	5	2275	5	2369	5	2453
5	2097	5	2186	5	2277	5	2373	5	2455
5	2099	5	2188	5	2243	5	2381	5	2456
5	2101	5	2190	5	2276	5	2383	5	2458
5	2103	5	2192	5	2278	5	2114	5	2459
5	2105	5	2194	5	2279	5	2116	5	2460
5	2107	5	2196	5	2280	5	2375	5	2462
5	2109	5	2198	5	2282	5	2377	5	2464
5	2111	5	2200	5	2284	5	2385	5	2466
5	2112	5	2201	5	2286	5	2386	5	2468
5	2117	5	2203	5	2288	5	2387	5	2470
5	2118	5	2204	5	2289	5	2388	5	2472
5	2119	5	2205	5	2291	5	2389	5	2473
5	2120	5	2206	5	2292	5	2390	5	2474
5	2121	5	2220	5	2293	5	2391	5	2475
5	2122	5	2221	5	2294	5	2392	5	2476
5	2123	5	2222	5	2296	5	2393	5	2478
5	2124	5	2223	5	2298	5	2395	5	2479
5	2126	5	2224	5	2300	5	2396	5	2480
5	2128	5	2226	5	2302	5	2398	5	2482