

NISSAN

NOV 30 2005
205 101 30 P 12:48
OFFICE OF DEFECTS INVESTIGATION

NISSAN NORTH AMERICA, INC.

Corporate Office
18501 South Figueroa St.
Gardena, California 90248-4500
Mailing Address: P.O. Box 191
Gardena, California 90248-0191
Telephone: 310.532.3111

November 28, 2005

Mr. George Person
Chief, Recall Analysis Division
Office of Defects Investigation
Safety Assurance
National Highway Traffic Safety Administration
400 Seventh Street, S.W.
Washington, D.C. 20590

Ref: 05V-512

Dear Mr. Person:

The enclosed communication is being provided pursuant to 49 CFR Part 573.6(c)(9).

Technical Compliance Department

Encl.

Subject: 2004-2006 Maxima Lumbar Seat Safety Recall Campaign Update #1

Attention – Dealer Principals, Sales, Parts and Service Managers

***** Interim Repair Instructions *****

Revised Interim Repair Instructions for re-routing of the lumbar wire harness are now available on NNA.net.com under My Documents in the Parts/Campaigns and Service/Campaigns categories.

Note: Claims coding is now included in the repair instructions.

If you have any additional questions related to this campaign, please contact your Dealer Parts and Service Manager (DPSM).

Nissan Parts and Service Operations

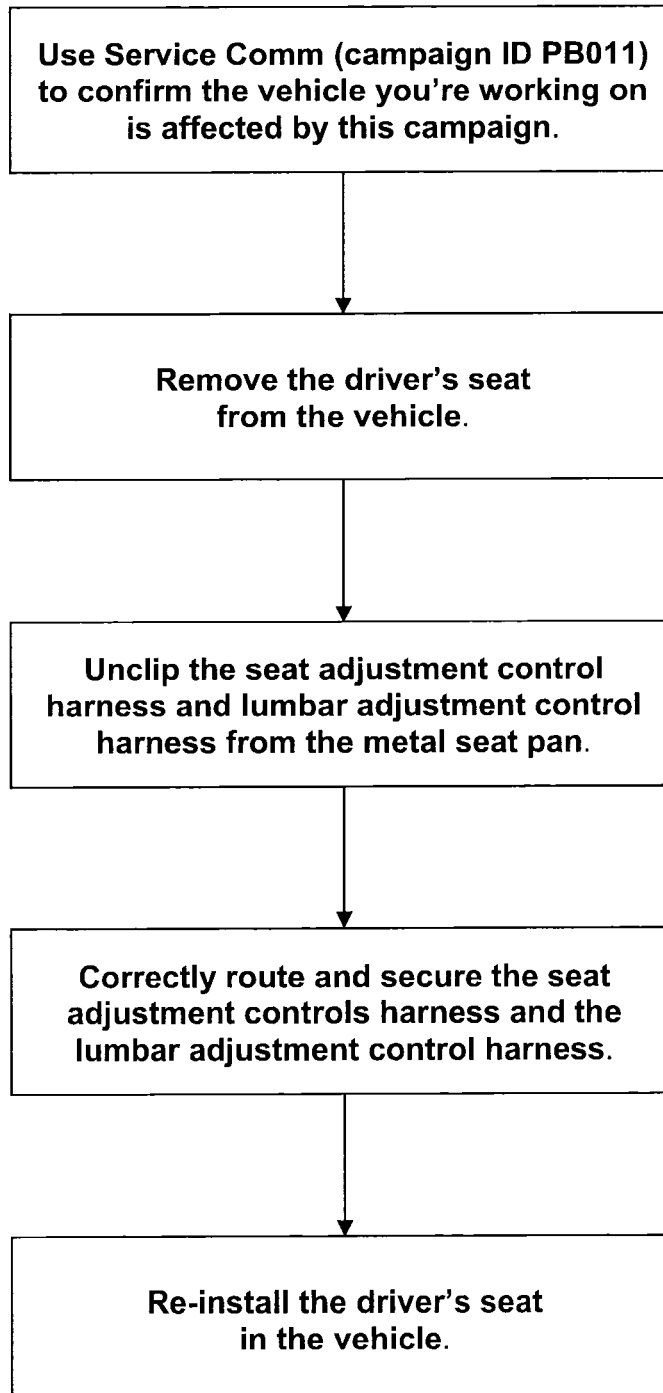
11/15/2005

INTERIM REPAIR INSTRUCTIONS MAXIMA DRIVER'S SEAT HARNESS ROUTING

**(ONLY TO BE PERFORMED ON VEHICLES WITH
LESS THAN 50 MILES ON THE ODOMETER)**

Revised 11/14/05

Repair Overview



SERVICE PROCEDURE

CAUTION: Use suitable covers to protect upholstery, carpet, trim, etc. when performing the following procedure.

Correctly route and secure the driver's seat adjustment controls harness and the lumbar control harness as follows.

1. Remove the driver's seat as follows:
 - a. Remove the head restraint from the seat by pressing the release button and lifting UP on the restraint (see Figure 1).

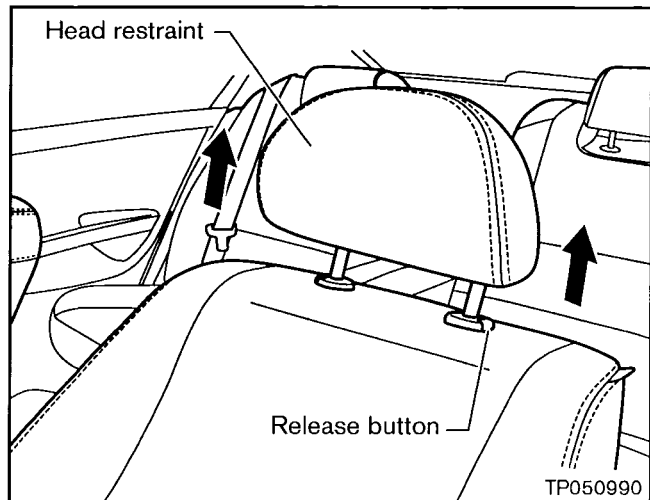


Figure 1

- b. Use the seat adjustment controls to lift the bottom seat cushion UP and tilt FORWARD the seat back (see Figure 2).

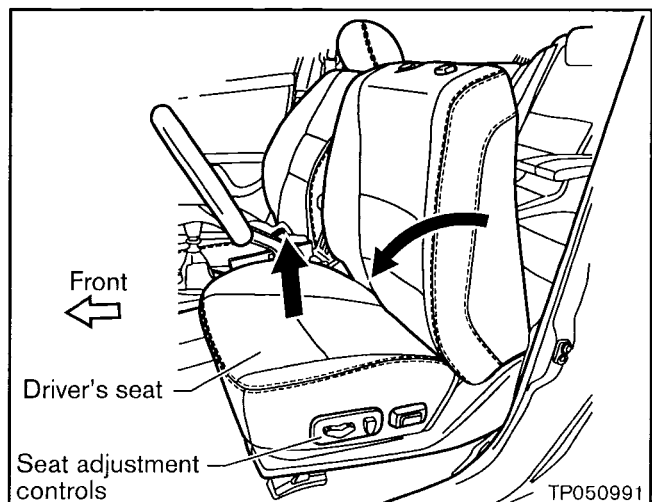


Figure 2

- c. Move the seat REARWARD so you can reach the front mounting bolts.
- d. Remove the front mounting bolt finishers (see Figure 3).
 - Pull FORWARD to release the finishers. They should slide off.
- e. Remove the front mounting bolts (see Figure 3).

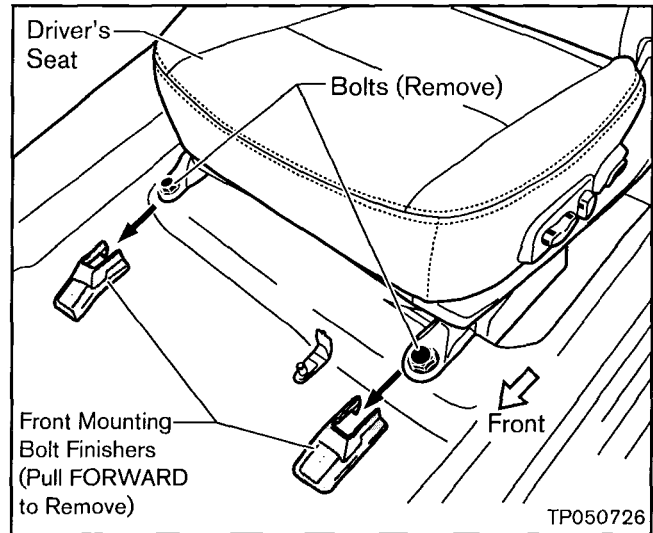


Figure 3

- f. Move the seat FORWARD to reach the rear mounting bolts.
- g. Remove the rear mounting bolt finishers (see Figure 4).
 - Pull REARWARD to release and slide the finishers off.
- h. Remove the rear mounting bolts (see Figure 4).

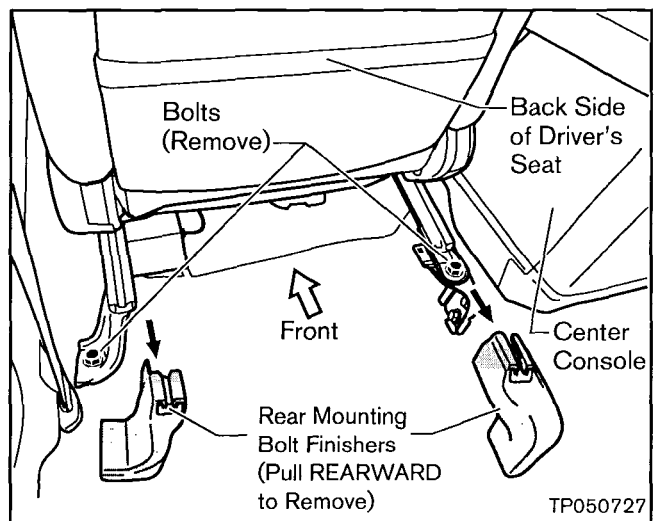


Figure 4

- i. Disconnect both battery cables (negative cable first) and **wait at least 3 minutes before performing the next step.**

- j. Tilt the seat REARWARD and disconnect the seat harness connectors (see Figure 5).

CAUTION: Do not stretch the harnesses when tilting the seat rearward.

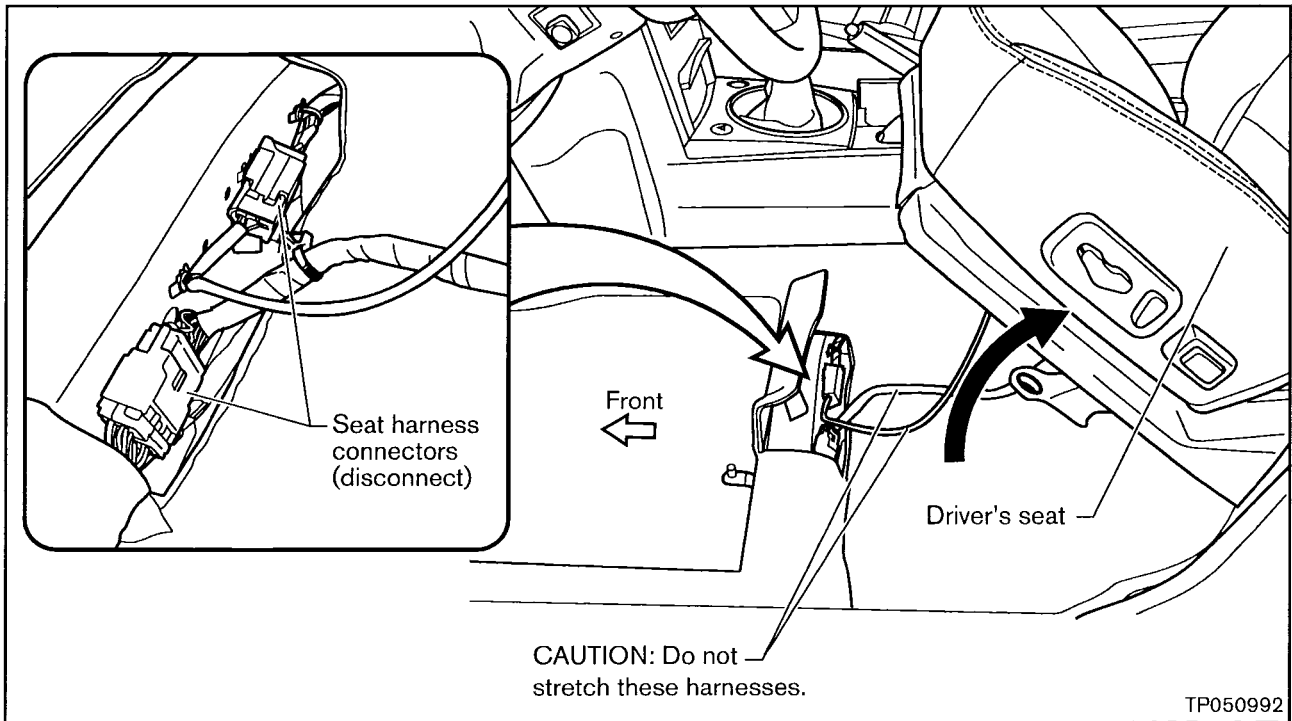


Figure 5

- 2. Carefully remove the seat from the vehicle and place it on a clean, dry work surface as shown in Figure 6.

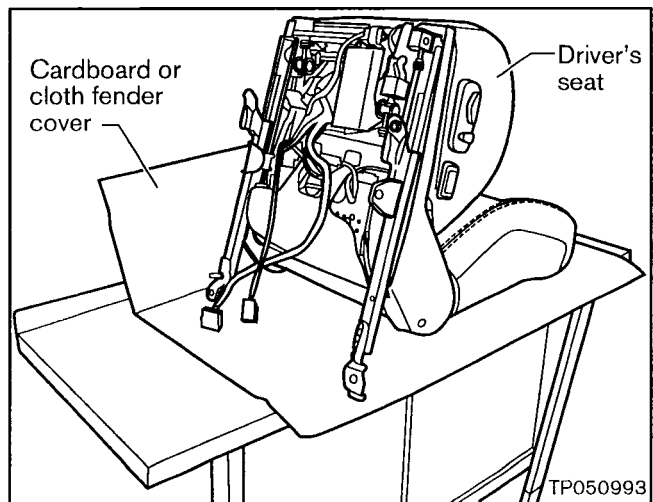


Figure 6

3. Disconnect the seat adjustment controls harness connector and remove it from the lower cushion metal seat pan as follows:
 - a. First, disconnect the seat adjustment controls harness connector (see Figure 7, Detail View A).
 - b. Second, pry the connector off of the clip that secures it to the metal seat pan (see Figure 7, Detail View B).
 - c. Then, remove the clip from the metal seat pan (see Figure 7, Detail View C).

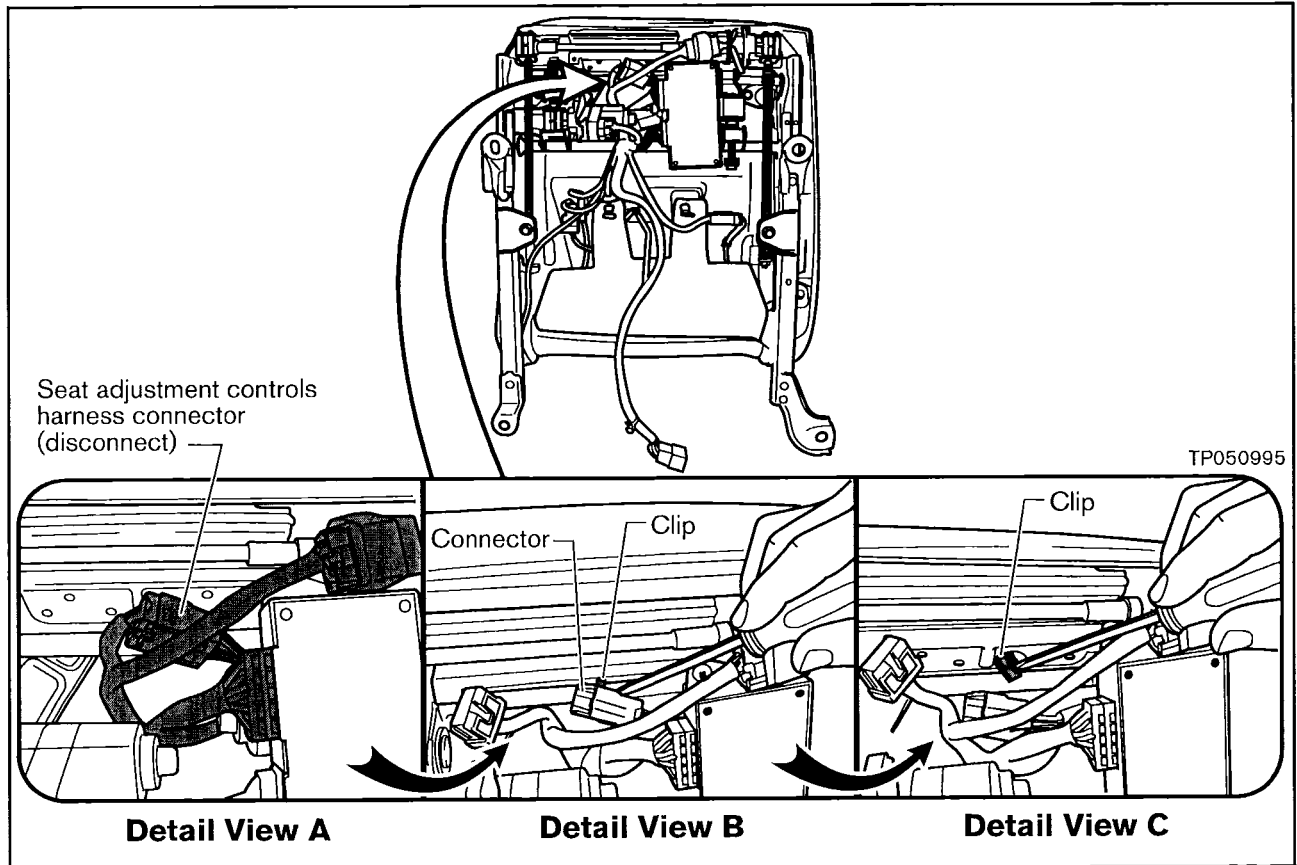


Figure 7

4. Remove the two front bolts that secure the lower cushion metal seat pan to the seat frame (see Figure 8).

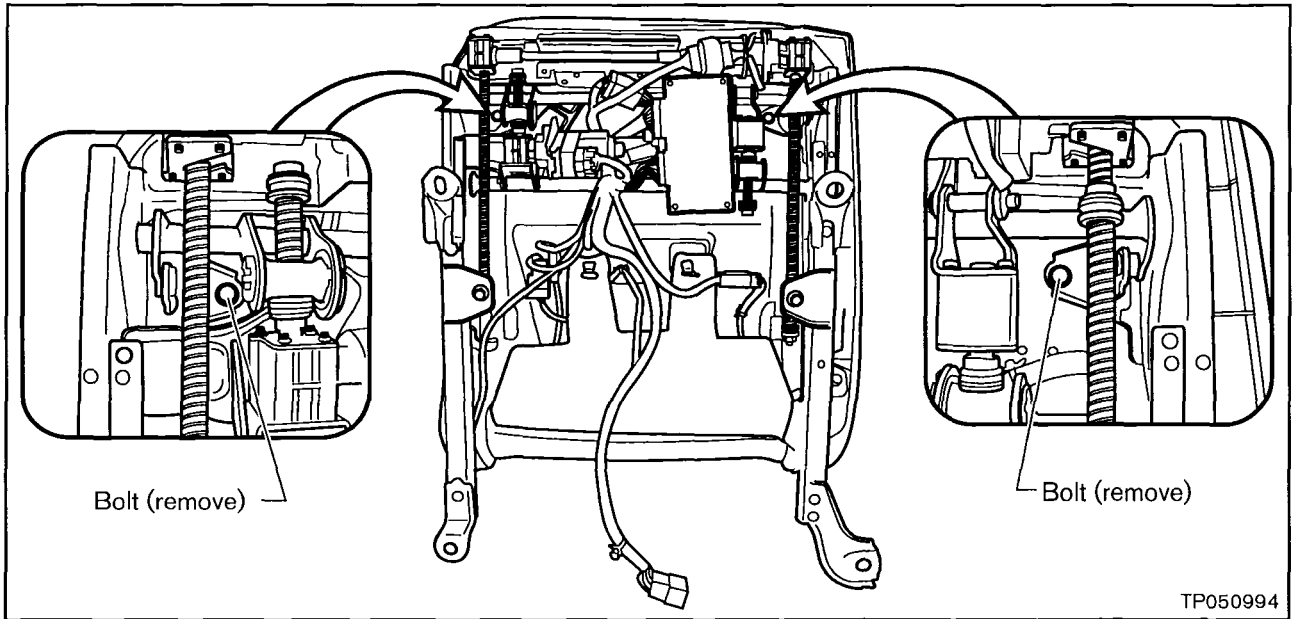


Figure 8

5. Disconnect the lumbar adjustment harness connector as follows:

- a. Separate the bottom seat cushion from the seat frame to reach the connector (see Figure 9).

CAUTION: Do NOT separate the seat cushion more than 6 inches (about 15 cm).

- b. Disconnect the harness connector (see Figure 9).

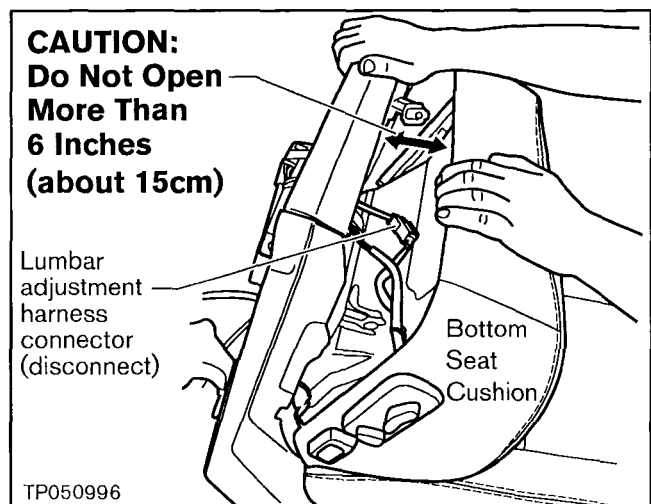


Figure 9

6. Correctly route and secure the seat adjustment controls harness and the lumbar adjustment control harness as follows (see Figure 10).
 - a. Unclip both harnesses from the metal seat pan.
 - b. Re-install the harnesses as shown in Figure 10 using new harness clips.

NOTE: An initial supply of harness clips will be sent to each dealer directly by Nissan at no cost. For additional clips, see Parts Information.

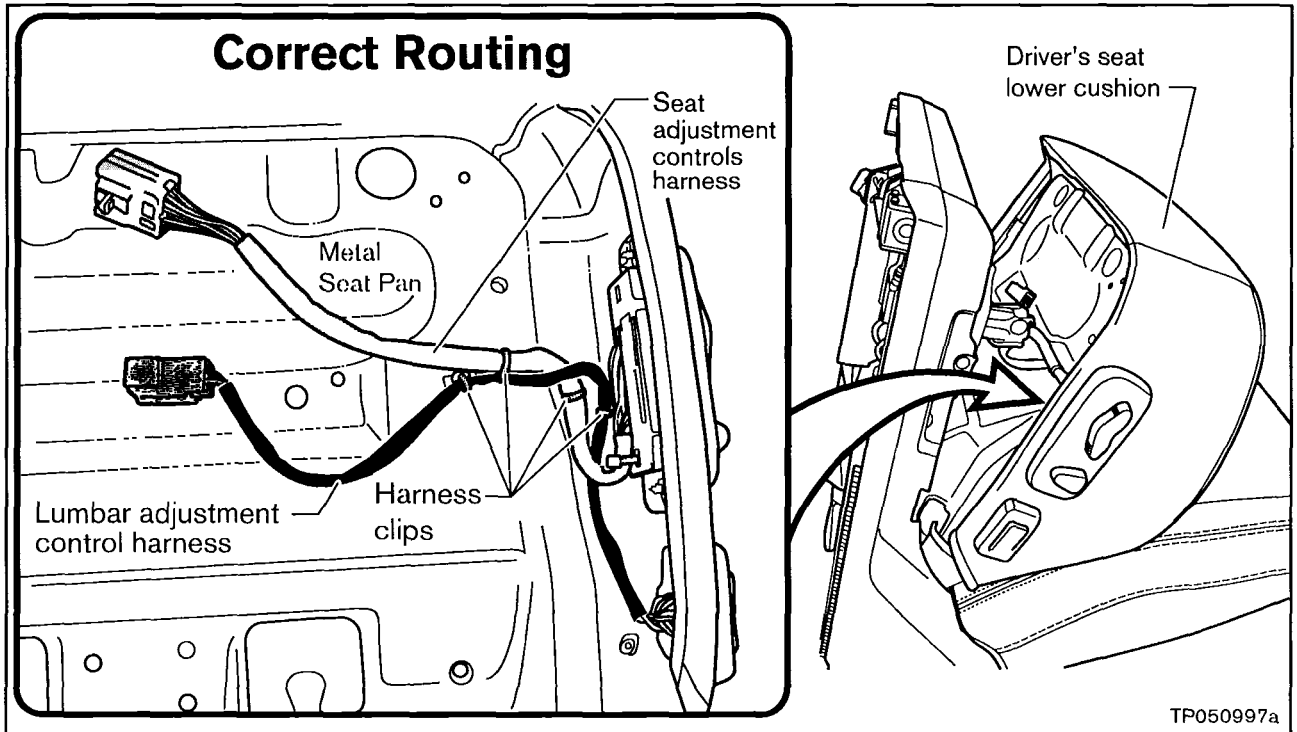


Figure 10

7. Re-assemble the seat in the reverse order of dis-assembly, making sure:

- The lower cushion metal seat pan bolts are tightened to **13 – 17 ft-lb (17.5 – 23.7 Nm, 1.8 – 2.4 kg-m)**.
- The seat adjustment controls harness connector is reconnected and secured to the lower cushion metal seat pan with a new connector clip. Refer to Figure 7, "Detail View A" for the location of this connector.

NOTE: An initial supply of connector clips will be sent to each dealer directly by Nissan at no cost. For additional clips, see Parts Information.

- The lumbar adjustment control harness is reconnected and routed as shown in Figure 11.

CAUTION: Do NOT route the lumbar adjustment control harness between the seat lifter bar and the metal seat pan.

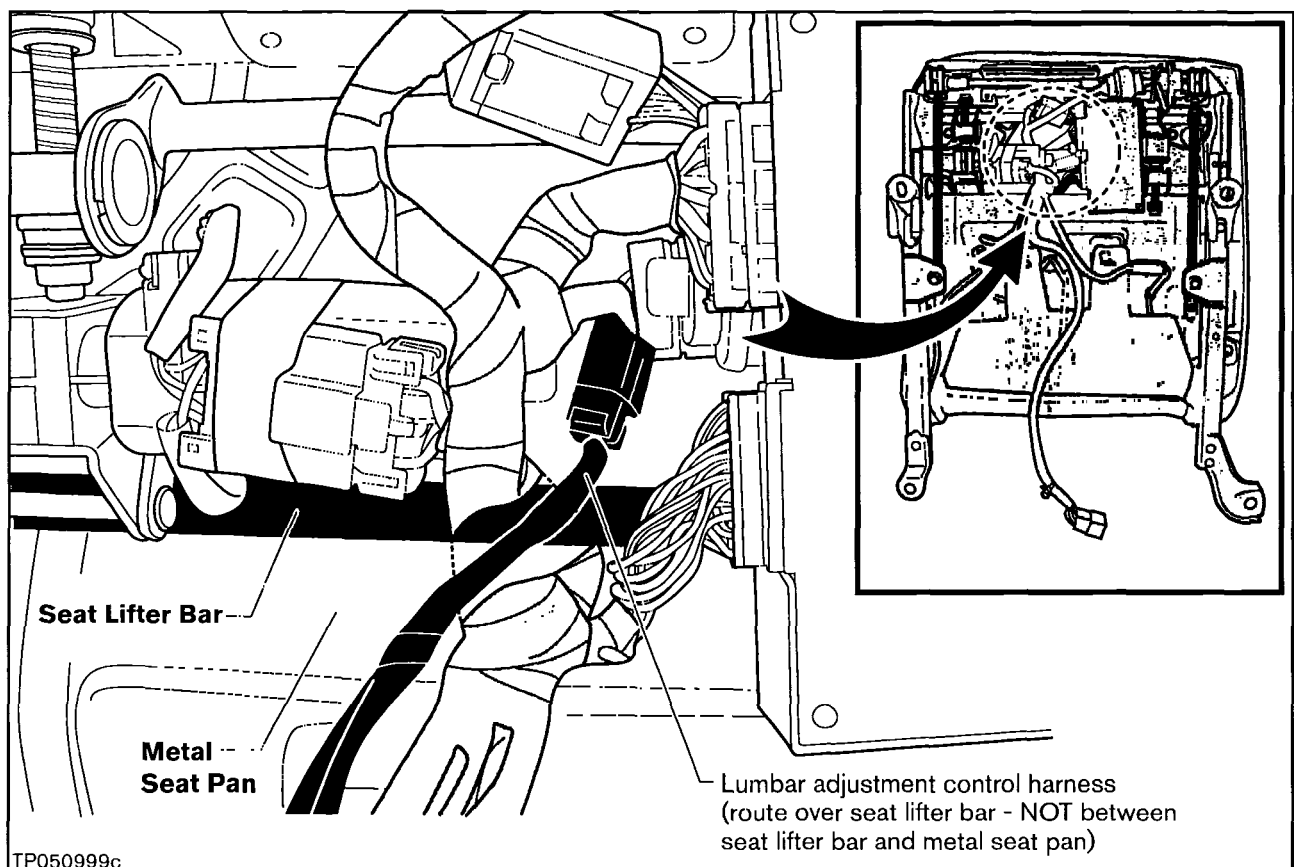


Figure 11

8. Re-install the seat in the vehicle, making sure:

- The seat harnesses are reconnected.
- The mounting bolts are tightened to: **32 – 40 ft-lb (44 – 54 Nm, 4.4 – 5.6 kg-m)**.
- The head restraint is re-installed properly.

9. Reconnect the battery cables (negative cable last).

10. Confirm proper operation of the seat adjustment controls and lumbar adjustment control.

PARTS INFORMATION

- An initial supply of harness clips (P/N 24225-79900) and connector clips (P/N 24346-10V00) will be sent to each dealer directly by Nissan at no cost. These clips are NOT available from your local PDC.
- Additional clips can be obtained by sending an e-mail request to:

campaign.parts@nissan-usa.com

- Make sure you include the following information in your e-mail request:

To: campaign.parts@nissan-usa.com
From: _____
Subject: Additional clips for Maxima driver's seat harness routing campaign
Dealer Name: _____
Dealer Number: _____
e-mail address: _____
or FAX Number: _____
Please ship _____ additional harness clips (P/N 24225-79900).
Please ship _____ additional connector clips (P/N 24346-10V00).

NOTE: Please do not order more than needed or place duplicate orders. Part numbers 24225-79900 and 24346-10V00 are coded as non-returnable.

CLAIMS INFORMATION

Submit a Campaign (CM) line claim using the following claims coding:

“CM” I.D.: PB011

DESCRIPTION	OP CODE	FRT
Re-Route Driver Seat Switch Adjustment Control Harnesses	PB0110	0.6 hrs