

SERVICE BULLETIN



M-1177

Safety Recall Code 0123

September 30, 2005

SAFETY RECALL-FLHTCSE²/FLHTCUSE FRONT BRAKE LINE

Purpose

Harley-Davidson Motor Company, Inc. has learned that a condition affecting safety exists on some 2005 FLHTCSE² and 2006 FLHTCUSE motorcycles. The affected vehicles may have front brake lines that could leak due to a manufacturing defect. Should this component fail when in service on the motorcycle, all functionality of the front brake system would be lost without warning, thereby presenting the risk of a crash and possible death or serious injury.

In the interest of motor vehicle safety and customer satisfaction, Harley-Davidson has elected to initiate a voluntary recall (Campaign 0123) to inspect all potentially affected vehicles and replace any mis-manufactured front brake lines. As required by law, you may sell but NOT DELIVER any affected motorcycles to your customers until the recall is performed.

See **Required Dealer Action** to perform the recall service.

Motorcycles Affected

This campaign involves 2005 FLHTCSE² and 2006 FLHTCUSE model vehicles built June 1, 2005 through July 8, 2005 and sold in the domestic market.

Customer Notification

In accordance with Federal regulations administered by NHTSA, Harley-Davidson Motor Company, Inc. will provide notice to all owners of record of affected products with direction to bring the vehicle in for the recall service.

Attached is a complete list of all motorcycles shipped to your dealership that are involved in this recall campaign.

To protect the safety of our riders, it is our mutual responsibility to ensure the recall service is performed on all affected motorcycles. Therefore, we strongly urge you to perform the recall service even if the motorcycle was not purchased from your dealership.

You are also required to perform the recall service on all affected vehicles in your dealership inventory prior to delivering, renting or leasing those vehicles.

If you are not sure that a safety recall has been completed on a particular motorcycle, check the recall records available on TALON and h-dnet.com

IMPORTANT NOTE

Because only registered owners will receive notification from us, we request that you contact any owners of vehicles that your records show as unregistered. Advise them of the safety recall and make arrangements for them to come in for recall service. We also require that you provide us with their names, addresses and VINs as soon as possible to enable us to mail them an owner's letter, as required by the National Traffic and Motor Vehicle Safety Act (as amended).

The customer will need to make an appointment with you. After inspection of the vehicle, if it is determined the front brake line is mis-manufactured, order a recall kit using the attached order form. A VIN and Part No. 94418 will be required on the order form. **No recall kits will be shipped without a VIN.**

FAX the order to 414-343-8346. Upon receipt and processing of the properly completed order, we will ship the required replacement for your customer's vehicle via UPS Next Day service.

Parts will be available for shipment the week of October 10, 2005.

IMPORTANT NOTE

In the interest of preserving customer safety and satisfaction, always check for outstanding recalls whenever any motorcycle is brought into your dealership for either maintenance or service.

ROUTING	SERVICE MANAGER	SALES MANAGER	PARTS MANAGER	LEAD TECHNICIAN	TECHNICIAN NO.1	TECHNICIAN NO. 2	TECHNICIAN NO. 3	TECHNICIAN NO. 4	RETURN THIS TO
INITIAL HERE									

©2005 HARLEY-DAVIDSON MOTOR COMPANY

Required Dealer Action

See Figure 1. Examine front brake line (1) near front brake master cylinder banjo fitting (2) to determine if it has been correctly manufactured. Inspect point (3) where metal line joins hose fitting. If assembly has soldered joint (see Figure 2.), no further action is required. If assembly has unsoldered joint (see Figure 3.), replace front brake line assembly as described in instructions which follow.

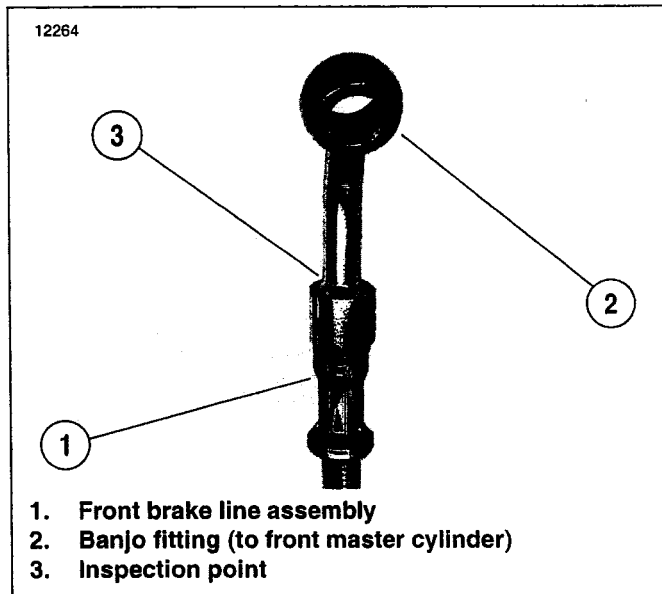


Figure 1. Identifying Mis-manufactured Front Brake Line Assembly

REMOVAL

1. Remove outer fairing and fairing cap. See OUTER FAIRING/WINDSHIELD, REMOVAL, and FAIRING CAP, REMOVAL under 2.30 UPPER FAIRING/WINDSHIELD (FLHX, FLHT/C/U) in the TOURING MODELS SERVICE MANUAL for procedures.

CAUTION

Direct contact of D.O.T. 4 brake fluid with eyes can cause irritation. Avoid eye contact. In case of eye contact flush with large amounts of water and get medical attention. Swallowing large amounts of D.O.T. 4 brake fluid can cause digestive discomfort. If swallowed, obtain medical attention. Use in well ventilated area. KEEP OUT OF REACH OF CHILDREN. (00240a)

CAUTION

D.O.T. 4 brake fluid will damage painted and molded-in color surfaces it comes in contact with. Always use caution and protect surfaces from spills whenever brake work is performed. Failure to comply can result in cosmetic damage. (00239a)

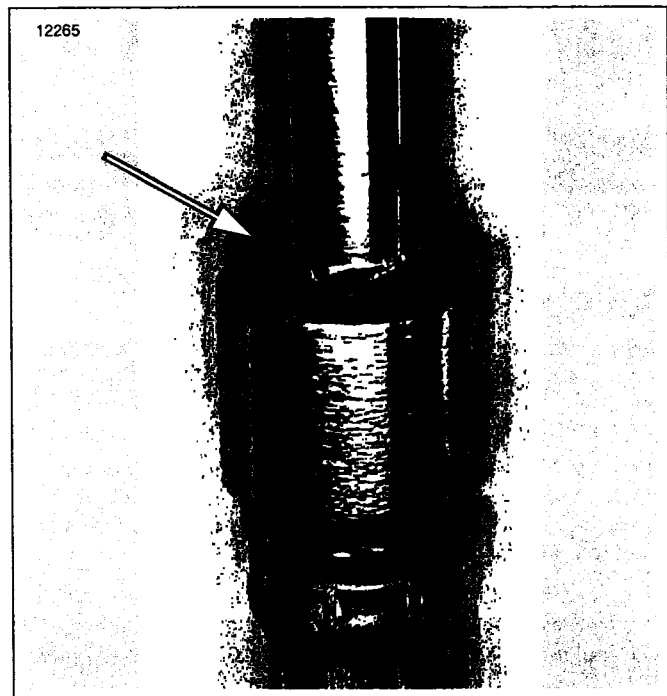


Figure 2. Soldered Joint

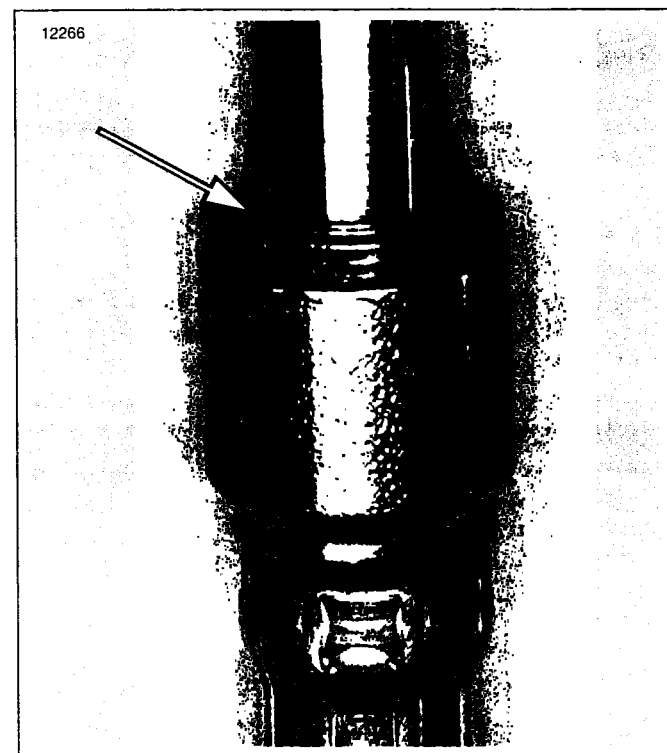


Figure 3. Unsoldered Joint

NOTE

Immediately wipe up any brake fluid spillage with a clean, dry, soft cloth. Follow up by thoroughly wiping affected area with a clean, damp, soft cloth (small spills) or washing with a large quantity of soapy water (large spills).

2. Remove bleeder valve cap on right front brake caliper. Install end of a length of clear plastic tubing over caliper bleeder valve, while placing free end in a suitable container.
3. Slowly pump front brake hand lever to build up hydraulic pressure. While holding lever, open bleeder valve about 1/2 turn. Brake fluid will flow from bleeder valve through tubing. Close bleeder valve as soon as a loss of hydraulic pressure is detected (or when brake lever has moved 1/2 to 3/4 of its full range of travel). Repeat step as necessary to drain right front brake caliper, front brake line and master cylinder reservoir.
4. Remove bleeder valve cap on left front brake caliper. Install end of a length of clear plastic tubing over caliper bleeder valve, while placing free end in a suitable container. Repeat previous step as necessary to drain left front brake caliper brake line.

CAUTION

To prevent dirt and other contaminants from entering the master cylinder reservoir, thoroughly clean the cover before removal.

5. Remove two screws and cover from front brake master cylinder reservoir. Using a clean shop cloth, wipe out any remaining fluid in front brake master cylinder reservoir.
6. See Figure 4. Remove banjo bolt (1) to disconnect front brake line fitting from left front brake caliper. Immediately wrap fitting with piece of shop towel to prevent leakage of any residual brake fluid. Discard steel/rubber washers. Repeat step to release front brake line from right front brake caliper.
7. Remove banjo bolt to release front brake line fitting from front brake master cylinder. Immediately wrap fitting with piece of shop towel to prevent leakage of any residual brake fluid. Discard steel/rubber washers.
8. Remove two screws with flat washers to release flange of chrome fork bracket cover from rear of lower front fork bracket.
9. Remove screw (4) at bottom of chrome fork bracket cover to release both cover and front brake line manifold (5).
10. To remove front brake line assembly from motorcycle, draw master cylinder end of front brake line downward through fairing cap opening and then out from between lower fork bracket and chrome skirt.

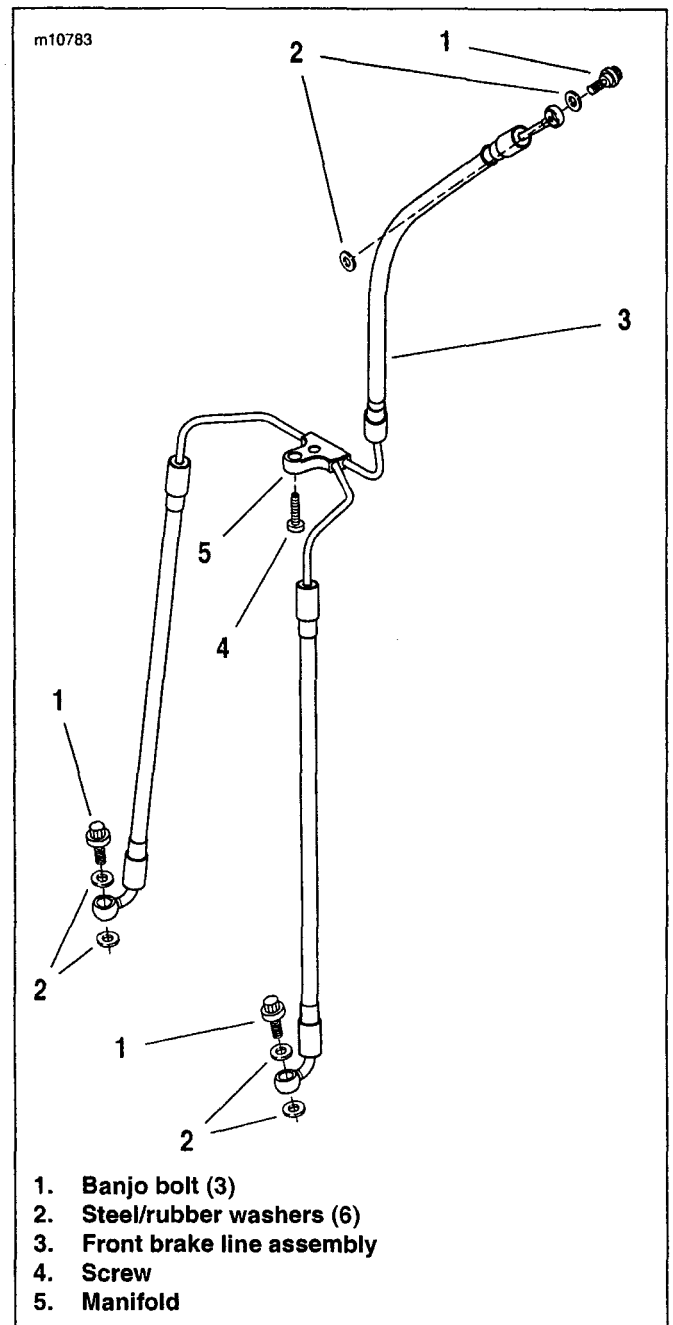


Figure 4. Front Brake Line Assembly
(Chrome Fork Bracket Cover Not Shown)

INSTALLATION

1. Feed master cylinder end of front brake line upward between lower fork bracket and chrome skirt and then out through fairing cap opening to front brake master cylinder.
2. See Figure 4. Align larger hole in front brake line manifold (5) with threaded boss at bottom of lower fork bracket.
3. With the concave side up, align hole at bottom of chrome fork bracket cover with larger hole in front brake line manifold. Install screw (4) into threaded boss. Do not tighten screw at this time.
4. Align holes in flange of chrome fork bracket cover with holes at back of the lower fork bracket. Install two screws with flat washers. Do not tighten screws at this time.
5. Install banjo bolts (1) with **new** steel/rubber washers (2) to secure front brake line fittings to both left and right front brake calipers. Do not tighten bolts at this time.
6. Install banjo bolt with **new** steel/rubber washers to secure front brake line fitting to front brake master cylinder.
7. Tighten all three banjo bolts to 17-22 ft-lbs (23.0-29.8 Nm).
8. Verify that chrome fork bracket cover does not contact front brake lines to front brake calipers or master cylinder reservoir. Adjust either front brake line manifold or cover if necessary.
9. Tighten screw at bottom of lower fork bracket to 120-180 **in-lbs** (13.6-20.3 Nm).
10. Tighten two screws at back of lower fork bracket to 70-110 **in-lbs** (7.9-12.4 Nm).
11. Fill front brake system with D.O.T. 4 brake fluid and bleed system according to instructions under BLEEDING HYDRAULIC BRAKES in the TOURING MODELS SERVICE MANUAL. Make sure you perform the bleeding procedure on BOTH front brake calipers.

NOTE

Immediately wipe up any brake fluid spillage with a clean, dry, soft cloth. Follow up by thoroughly wiping affected area with a clean, damp, soft cloth (small spills) or washing with a large quantity of soapy water (large spills).

12. With the Ignition/Light Key Switch turned to IGNITION, actuate the front brake lever to verify operation of the brake lamp.

WARNING

After repairing the brake system, test brakes at low speed. If brakes are not operating properly, testing at high speeds can cause loss of control, which could result in death or serious injury. (00289a)

13. Install fairing cap and outer fairing. See Section 2.30 UPPER FAIRING/WINDSHIELD (FLHX, FLHT/C/U), FAIRING CAP, INSTALLATION, and OUTER FAIRING/WINDSHIELD, INSTALLATION in the TOURING MODELS SERVICE MANUAL.

Credit Procedure

INSPECT AND REPAIR

Complete a Dealer Service Card for each vehicle serviced. Be sure to list the Safety Recall Code, 0123 on the card. Place a "C" in the letter box. Package the original front brake line, along with the properly completed Dealer Service Card and send to: Harley-Davidson Motor Company, Warranty Return Dept., 3801 W. Juneau Ave., Milwaukee, WI. 53208

Please ensure that the manner in which the items are packaged does not destroy, deface or otherwise interfere with the legibility of the bar code or written information on the Dealer Service Card.

Upon receipt of the part and a properly completed Dealer Service Card, you will be credited 1.2 hours of labor for performing the procedure, which includes administrative time and the cost of materials (gaskets and DOT 4 brake fluid).

INSPECTION ONLY

Complete a Dealer Service Card for each vehicle visually inspected and for which no repair was necessary. Be sure to list the Safety Recall Code, 0123 on the card. Place an "I" in the letter box. The actual time for the inspection is 0.1 hour. Because of the disruption to your service operation caused by this situation, and as a small incentive to help achieve a high percentage of completion, the dealership will be compensated 0.5 hours for this task.

IMPORTANT NOTE

Dealers are not responsible for reimbursing customers who have replaced the subject front brake line prior to this recall. Advise customers that they may apply directly to Harley-Davidson for reimbursement of their costs following the procedures outlined in the attached Harley-Davidson Pre-Notification Remedy Reimbursement letter. Provide the customer with a copy of this document upon request.