

TO: All Reinke Trailer Dealers

SUBJECT: Safety Recall Notification [Recall #]

MODELS: Combination Steel/Aluminum Flatbed Trailers, Combination Steel/Aluminum Dropdeck Trailers, and Aluminum Flatbed Trailers, manufactured between January 1, 2003 and July 13, 2005 and equipped with mounted toolboxes.

DATE: July 25, 2005

Reinke Manufacturing Company, Inc. has determined that a defect which relates to motor vehicle safety exists in Reinke Combination Steel/Aluminum Flatbed Trailers, Combination Steel/Aluminum Dropdeck Trailers, and Aluminum Flatbed Trailers, manufactured between January 1, 2003 and July 13, 2005 and equipped with mounted toolboxes. Each toolbox is attached to the trailer with a mounting system that includes two aluminum brackets which may have developed fatigue cracks along the bend radius lines. The small cracks may further develop based on trailer usage and as a consequence the brackets may break causing the toolbox to separate from the trailer. If the toolbox separates from the trailer while the trailer is in motion, vehicles on the road are at risk of collision with the toolbox and its contents.

**Important:** Some of the trailers involved, used or new, may still be in your dealership inventory. Federal law requires you to complete the recall service on these vehicles before retail delivery.

Find enclosed a list which includes all serial numbers for trailers sold through your dealership affected by this recall. If there is a name depicted next to a trailer serial number we have attempted to contact this customer in reference to this recall. These purchasers have been notified directly of the defect and recall procedures but may contact your dealership if they are unable to have the service performed by a certified welder in their area. We would suggest that you attempt to contact these individuals as well to encourage them to schedule the recall repair as soon as possible. If no name is depicted next to the trailer serial number please notify these purchasers of the recall campaign utilizing the form letter enclosed and request that they have the defect remedied by a certified welder within 30 days according to the enclosed instructions. In the event any of these affected trailers have been remarketed through your dealership as a result of trade-in please attempt to notify any subsequent owners that you have contact information for. Additionally, please forward the purchaser contact information and serial numbers to Reinke. Trailers from this list that remain in your inventory must be serviced prior to retail delivery.

In order to remedy the defect we have fabricated aluminum gussets that must be welded to the side of each bracket. The gussets will reinforce the toolbox bracket and eliminate the risk of separation due to the defective brackets. In the event that the brackets have already cracked, the brackets must be re-welded in addition to installation of the gussets. The gussets and detailed instructions for attaching the gussets are enclosed in this package.

If your dealership employs a certified welder, you may perform the recall service in your dealership. If not, please contact a certified welder in your area as soon as possible to arrange

service dates for all affected trailers. If the bracket has not yet cracked, the labor necessary to attach the gussets will be no more than 2 hours. If the bracket has already begun to crack, the labor time necessary to perform the service correction will be no more than 2.5 hours. You will need to provide the welder with the enclosed aluminum gussets and detailed instructions.

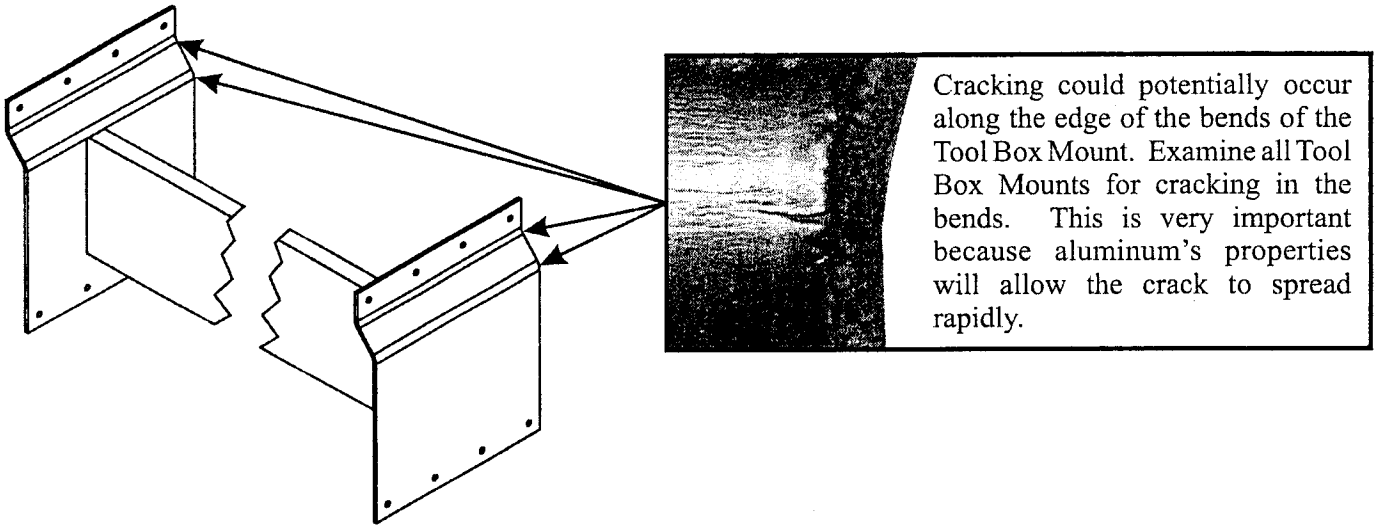
Claims for trailers serviced pursuant to this recall must be submitted to Reinke. Claims submitted will be used by Reinke to record recall service completions and provide dealer payments.

We are sorry to cause this inconvenience; however we have taken this action in the interest of customer safety and continued satisfaction with our trailers.

If you have any questions or need assistance in completing this action, please contact the Customer Service Office toll free at 1-877-762-1001.

Thank you for your cooperation,  
Reinke Manufacturing Company, Inc.

# Repair Information

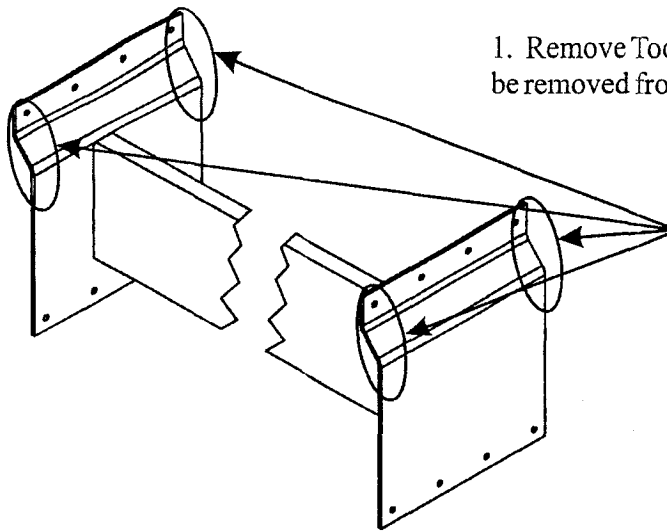


After examining Tool Box Mounts, consider one of the solutions based on your findings:

1. If there is no visible breaks or cracks:
  - Install Gussets as per instructions on the next page.
2. If there is any edge cracks extending less than 1/8" from edge:
  - Install Gussets as per instructions on the next page.
3. If there is any edge cracks extending more than 1/8" from edge or any visible cracks in the bends:
  - Grind out crack to sound metal. Clean area to be welded with a degreaser such as "Simple Green." Weld crack shut using ER 5356 Filler Metal Wire. E = MIG Wire/Filler and R = TIG Wire/Filler. Avoid undercutting or excessive build-up. Grind area to approximate original contour.
  - Install Gussets as per instructions on the next page.

Instructions for Installing Gussets on Tool Box Mounts are on the next page.

## Instructions for Installing Gussets on Tool Box Mounts

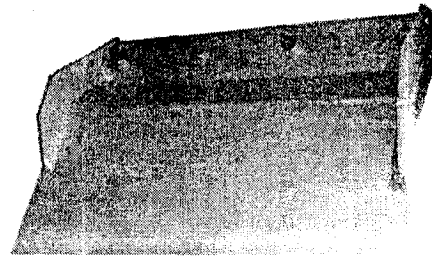
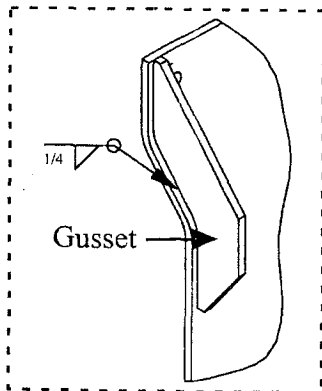
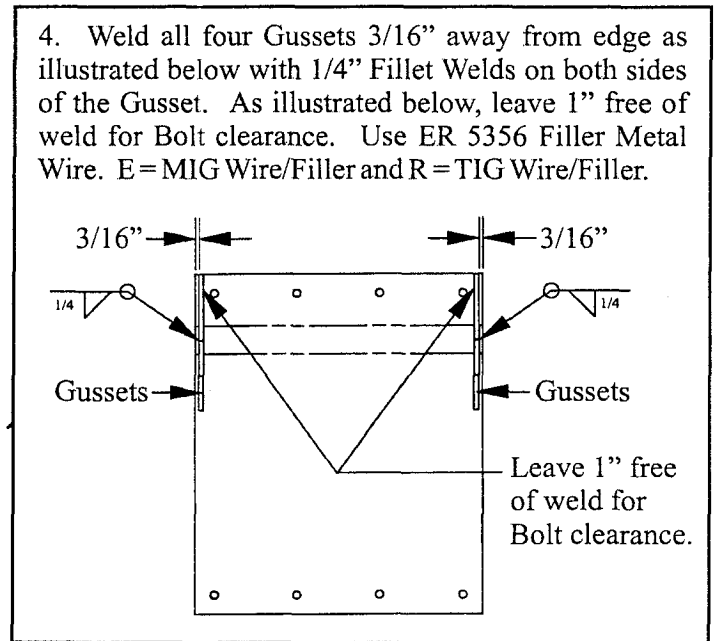
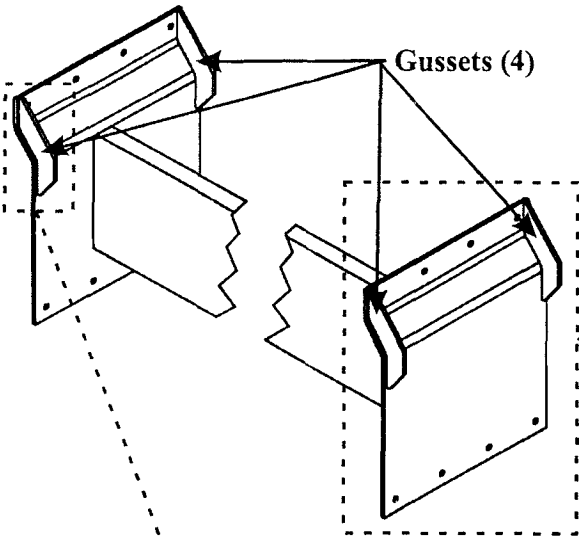


1. Remove Tool Box Mounts from from Trailer. Tool Box does not need to be removed from Tool Box Mounts.

2. Clean designated surface areas shown in the illustration to the left with an all-purpose degreaser such as "Simple Green."

3. Wire Brush designated cleaned surface areas shown to the left.

**\*\*Note: Orientate Gussets on Tool Box Mount as illustrated below. This is very important as Gussets will interfere with mounting to Trailer Crossmember if installed wrong.**



Gusset/Tool Box Mount Combination

TO: [Specific Dealer Name]

SUBJECT: Safety Recall Notification [Recall #]

PART NO: Aluminum Toolbox Bracket, Part No. 223021 and Aluminum Toolbox Bracket - Tall, Part No. 223022; Manufactured between January 1, 2003 and July 13, 2005

DATE: July 25, 2005

Reinke Manufacturing Company, Inc. has determined that a defect which relates to motor vehicle safety exists in Aluminum Toolbox Bracket (Part #223021) and Aluminum Toolbox Bracket – Tall (Part #223022) manufactured from January 1, 2003 to July 13, 2005. During manufacture, the bend radius of the brackets was too small resulting in brackets with greatly reduced fatigue life. Small cracks may develop along the bend radius lines of the brackets if installed as part of the toolbox mounting system. The cracks may further develop and as a consequence the brackets may break causing the toolbox to separate from the trailer. If the toolbox separates from the trailer while the trailer is in motion, vehicles on the road are at risk of collision with the toolbox and its contents.

Our records indicate that you purchased [#] brackets from Reinke Manufacturing that were manufactured between January 1, 2003 to July 13, 2005.

**Important:** Some of the brackets involved may still be in your dealership inventory. It is a violation of Federal law for a dealer to deliver any new or used item of motor vehicle equipment covered by the notification under a sale or lease until the defect or noncompliance is remedied.

#### IF THE BRACKETS ARE IN INVENTORY

Reinke will repurchase the items subject to recall that remain in your inventory at the price you paid, plus shipping charges to return the defective bracket[s] to Reinke and the cost to ship replacement bracket[s] to you.

#### IF THE BRACKETS HAVE BEEN INSTALLED

In order to remedy the defect we have fabricated aluminum gussets that must be welded on each side of each bracket. The gussets will secure the toolbox bracket to the trailer and eliminate the risk of separation due to the defective brackets. In the event that the brackets have already cracked, the brackets will be re-welded in addition to installation of the gussets. The gussets and detailed instructions for attaching the gussets are enclosed in this package.

In the event that brackets sold to you as parts have already been installed on owner trailers, notify the owners of the recall campaign utilizing the form letter enclosed and request that they have the defect remedied by a certified welder within 30 days according to the enclosed instructions. Additionally, please forward the owner contact information and serial number[s] to Reinke.

If the trailers on which the brackets were installed are still in your inventory, you must complete the service recall on the trailers before retail delivery. If your dealership employs a certified welder, you may perform the recall service in your dealership. If not, please contact a certified welder in your area as soon as possible to arrange service dates for all affected trailers. If the bracket has not yet cracked, the labor necessary to attach the gussets will be no more than 2 hours. If the bracket has already begun to crack, the labor time necessary to perform the service correction will be no more than 2.5 hours. You will need to provide the welder with the enclosed aluminum gussets and detailed instructions.

Claims for service pursuant to this recall, must be submitted to Reinke. Claims submitted will be used by Reinke to record recall service completions and provide dealer payments.

We are sorry to cause this inconvenience; however we have taken this action in the interest of customer safety and continued satisfaction with our trailers.

If you have any questions or need assistance in completing this action, please contact the Customer Service Office toll free at 1-877-762-1001.

Thank you for your cooperation,  
Reinke Manufacturing Company, Inc.

July 25, 2005

[Owner Name]  
[Owner Address]  
[City], [ST] [Zip]

RE: Safety Recall Notification [Recall #]

Dear [Owner Name]:

This notice is sent to you in accordance with the requirements of the National Traffic and Motor Vehicle Safety Act.

Reinke Manufacturing Company records indicate that you purchased [#] toolbox mounting brackets, through the Reinke parts department, that were manufactured between January 1, 2003 and July 13, 2005. These brackets are subject to a recall.

#### REASON FOR THIS RECALL

The recall is based on our determination that a defect which relates to motor vehicle safety exists in Aluminum Toolbox Bracket (Part #223021) and Aluminum Toolbox Bracket – Tall (Part #223022) manufactured from January 1, 2003 to July 13, 2005. During manufacture, the bend radius of the brackets was too small resulting in brackets with greatly reduced fatigue life. Small cracks may develop along the bend radius lines of the brackets if installed as part of the toolbox mounting system. The cracks may further develop and as a consequence the brackets may break causing the toolbox to separate from the trailer. If the toolbox separates from the trailer while the trailer is in motion, vehicles on the road are at risk of collision with the toolbox and its contents.

#### WHAT REINKE WILL DO

If you have not yet installed these brackets, Reinke will repurchase them at the price you paid plus shipping.

If you have already installed the brackets on your trailer, recall service must be performed to reinforce the brackets. In order to remedy the defect we have fabricated aluminum gussets that will be welded on each side of each bracket. The gussets will secure the toolbox bracket to the trailer and eliminate the risk of separation due to the defective brackets. In the event that the brackets have already cracked, the brackets will be re-welded in addition to installation of the gussets. The gussets and detailed instructions for attaching the gussets are enclosed in this package.

**Reinke will reimburse you, as described below, for invoiced labor charges incurred in having this remedy performed by a certified welder.**

### WHAT YOU SHOULD DO

If you have installed the brackets on [a] trailer[s], but you no longer own the trailer[s], please send the name and address of the person[s] or dealership[s] to whom the trailer[s] [was/were] sold (or traded-in) and the corresponding trailer serial number[s] in the enclosed postage paid envelope.

Please contact a certified welder in your area as soon as possible and no later than 30 days after receipt of this notification to arrange a service date for the subject trailer[s]. If the bracket has not yet cracked, the labor necessary to attach the gussets will be no more than 2 hours. If the bracket has already begun to crack, the labor time necessary to perform the service correction will be no more than 2.5 hours. You will need to provide the welder with the aluminum gussets and detailed instructions.

If you need additional gussets or have questions concerning this recall, notify Reinke immediately toll free at 1-877-762-1001. Reinke will overnight any necessary materials to your location to expedite the service.

Within 60 days of the completion of service, please submit to Reinke in the enclosed postage paid envelope the following: a copy of your service invoice, your name, and the trailer serial number[s]. You will be reimbursed within 60 days of our receipt of the invoice for labor costs of up to 2 hours for brackets that have not yet cracked and up to 2.5 hours for brackets that have already begun to crack.

If you are unable to locate a certified welder in your area, please contact Reinke by calling toll free at 1-877-762-1001 to receive a list of recommended service shops.

After contacting Reinke customer service, if you are still not able to have the safety defect remedied without charge and within a reasonable time, you may submit a complaint to the Administrator, National Highway Traffic Safety Administration, 400 Seventh Street, SW., Washington, DC 20590; or call the toll-free Vehicle Safety Hotline at 1-888-327-4236 (TTY: 1-800-424-9153); or go to <http://www.safercar.gov>.

### IF YOU HAVE ALREADY CORRECTED THIS DEFECT

If you have already incurred expense to remedy this defect you may be entitled to reimbursement for your expense. Please call toll free at 1-877-762-1001 to find out if you are eligible for reimbursement.

We are sorry to cause this inconvenience; however we have taken this action in the interest of your safety and continued satisfaction with our trailers.

Sincerely,

[Signing person or group]  
Enclosures