

05V-122

VEHICLE RECALL

G- 05509
April 2005

SUBJECT: SAFETY RECALL (U.S., EXPORT)
WEBASTO HEATER on certain CE School Bus, FE School Bus, RE School Bus, and RE Commercial Bus models built between 12/02/2002 and 03/01/2005

DEFECT DESCRIPTION

An incorrectly manufactured burner tube in the Webasto heater installed in the bus can fail prematurely. Premature failure of the burner tube may cause combustible materials in or around the vehicle to ignite. This may result in **property damage, personal injury or death.**

MODELS INVOLVED

This safety recall involves certain CE, FE and RE School Bus, and RE Commercial Bus models built between 12/02/2002 and 03/01/2005 with Webasto heaters (property codes 49GWX, 0049GDM).

PARTS INFORMATION

Part Number	Part Description	Quantity
2585244C1	CHAMBER,HEATER COMBUSTION (Replacement Burner Tube for Webasto Heater)	1 As Required by Service Procedure

SERVICE PROCEDURE



To prevent serious eye injury, always wear safe eye protection when you perform vehicle maintenance or service.



To avoid property damage, personal injury, or death when servicing the vehicle, park on a flat level surface, set the parking brake, turn the engine off and chock the wheels.



To prevent serious injury or death, always disconnect the heater power cable from the vehicle battery before you perform vehicle maintenance or service. Use a voltmeter to make sure the heater is not powered.

A 10mm socket, extension and 1/4 drive ratchet or a long 10mm Tee-handle and socket combination is required.

1. **Before starting work**, check to see if the heater is already marked. This means the burner tube has been replaced already. Corrected heaters are marked with a yellow dot on the control unit or on the front side of the burner head cover (black plastic) or in both places (see figures 6 & 7).
2. **If the heater is not marked, then inspect the heater for the following serial numbers.** Only these serial numbers must have the burner tubes changed. **If the Webasto heater serial number is not on this list, DO NOT change the burner tube.**

100265 through 100959
194702
200040 through 200775
219442 through 219545
228868 through 229116
229716
300290
300905 through 302449
400212 through 402002
700000 through 704500
705501 through 706056
707001 through 707498
800000 through 801300
802002 through 802066

3. If the heater serial number was on the list above, then remove the heater power cable from the vehicle battery or disconnect the heater from other electrical source. Removing the heater from the vehicle is not generally necessary.
4. For opening of heaters, both eyebolts of the housing are to be loosened (see figures 1 & 2).

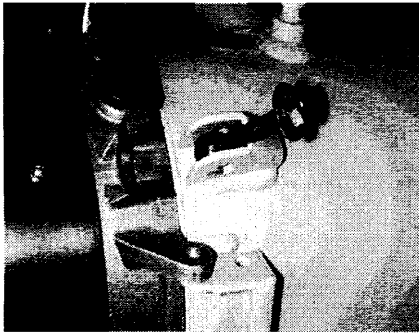


Figure 1.

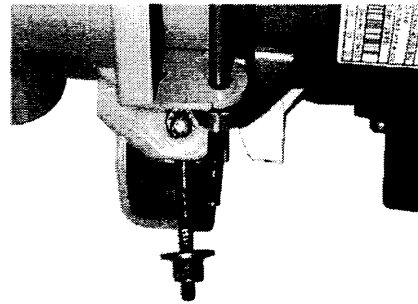


Figure 2.

5. Once the burner head has been unlatched, swing it open to the side (see figure 3). If there is no clearance to do so, or there is a risk of damaging the wiring harness or fuel lines, the split pin can be either removed or inserted in the other side of the housing **before** loosening the eyebolts. If there is not sufficient clearance, the burner head can be disconnected and completely removed. **CAUTION - do not damage the ignition electrodes (1) during the work. DO NOT change the screw position of the air intake bellows. This only happens if the adjusting screw is not properly tightened.**

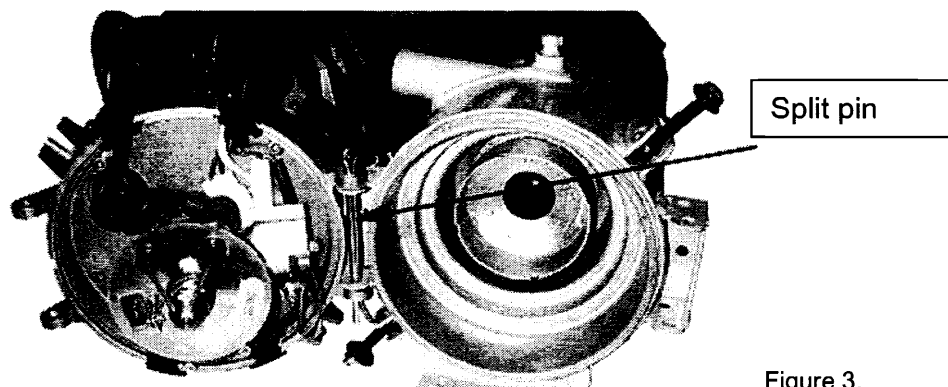


Figure 3.

6. The burner tube can now be carefully pulled out (see figure 4). If burner tube fit is very tight, use two screwdrivers to gently pry it evenly away from the heat exchanger. **Destroy the burner tube NOW so that it cannot be accidentally re-used (hit aluminum section of tube with a hammer- - once it is damaged, the tube is no longer useable).** Do a visual check of the heat exchanger for damages. If necessary, remove carbon deposits with a steel brush. Insert the new burner tube into the heat exchanger until it is fully seated. No further adjustment is necessary.

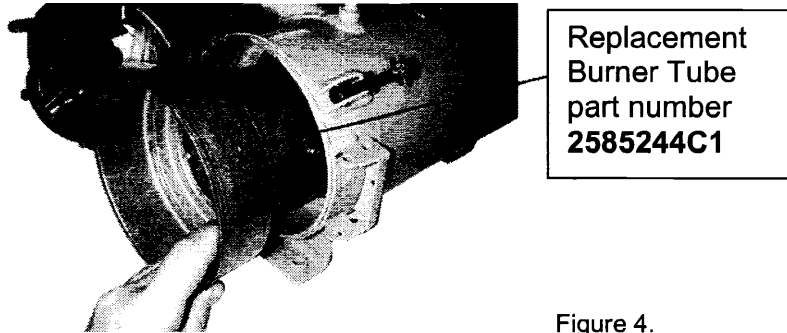


Figure 4.

7. When reassembling the burner head to the heat exchanger the eyebolts and ears must be in the correct position during tightening (see figure 1). **Tighten the eyebolts to a maximum of 4.0 Nm (35.5 lb/in.). Over-tightening could damage the casting. If the split pin was removed, it must now be refitted.**
8. Once the burner head has been re-installed, make sure that all four grommets (2 right and 2 left) are in place. To minimize combustion air leakage, ensure grommets are fitted tightly around wire cables and fuel pipes. (see figure 5).

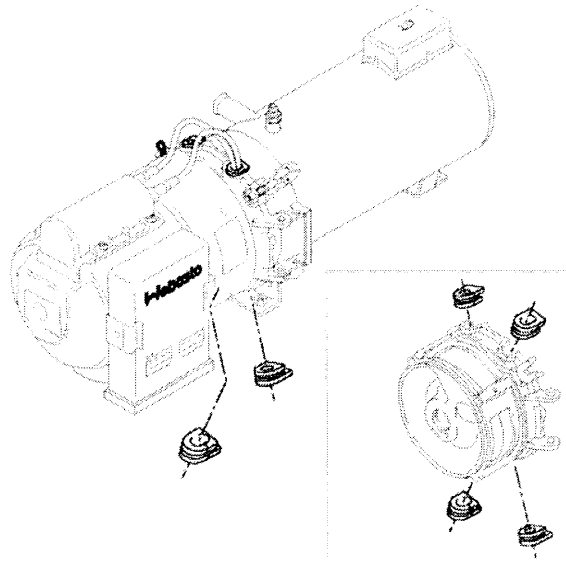


Figure 5.

9. In the case of the Scholastic Series heater with a **single line fuel system**, make sure the blank fuel pipe slot in the casting has a **solid (no hole) grommet** in place.
10. Place a water insoluble (permanent ink or paint) yellow dot, minimum $\text{Ø}10\text{mm}$ (0.5 in.), on the control unit and on the front side of the burner head (see figures 6 & 7) to identify corrected heaters.

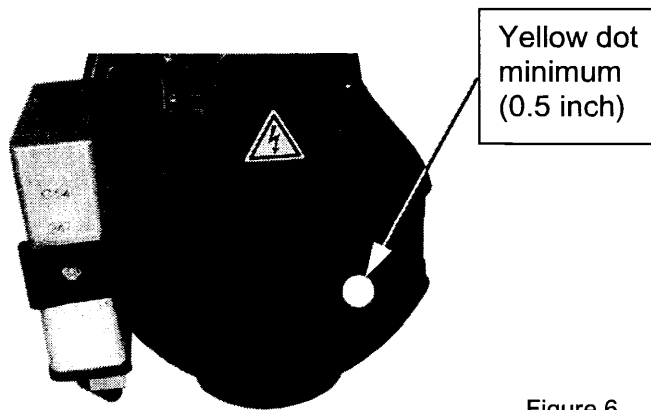


Figure 6.

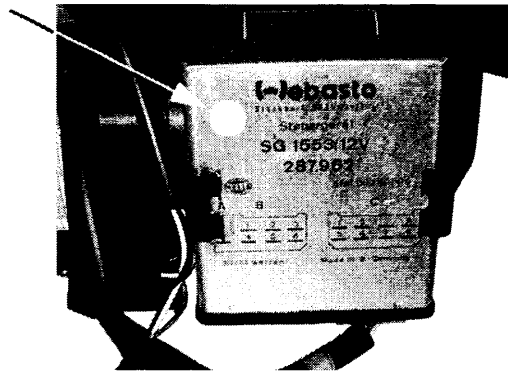


Figure 7.

11. After completing the correction, a visual inspection and a test run of the heater must be performed according to the service instructions.
12. If you are a bus customer and are completing this work, please include the Webasto heater serial number when you return the enclosed card.
13. If you are a dealer and are completing this work, please include the heater serial number in the warranty claim that you file.

Technical questions can be answered at the Webasto hotline: (800) 555-4518
 A Service and Repair manual is available online at www.techwebasto.com or
 by entering "http://www.techwebasto.com/heater_main/907502.pdf" into the
 address line of your web browser.

**END OF SERVICE PROCEDURE
 LABOR INFORMATION**

<i>Labor Code</i>	<i>Description</i>	<i>Time(hour)</i>
A40-05509-1	Inspection only	0.3
A40-05509-2	Inspect and Repair if serial number is on list	0.5

ADMINISTRATIVE/DEALER RESPONSIBILITIES (U.S. & POSSESSIONS)

Proceed immediately to make necessary correction to units in inventory. **All inventory vehicles subject to this recall campaign must be corrected prior to sale, transfer or delivery.** If vehicles have been sold or transferred and you are in receipt of Customer Notification Letters and Authorization for Recall Service cards for those vehicles, the transfer location or customer must be notified **IMMEDIATELY** from your dealer location.

Dealers must correct all vehicles subject to this campaign at no charge to the owner, regardless of mileage, age of vehicle, or ownership, from this time forward.

The National Traffic and Motor Vehicle Safety Act, as amended, provides that each vehicle that is subject to a vehicle recall campaign must be adequately **repaired** within a reasonable time after the owner has tendered it for repair. A failure to adequately repair within **60 days** after a tender of a vehicle is prima facie evidence

of failure to repair within a reasonable time. If the condition is not adequately repaired within 60 days, the owner may be entitled to **replacement** with an identical or reasonable equivalent vehicle at no charge, or to a **refund** of the purchase price less a reasonable allowance for depreciation.

However, consistent with the customer notification, dealers are expected to complete the repairs on the mutually agreed upon service date.

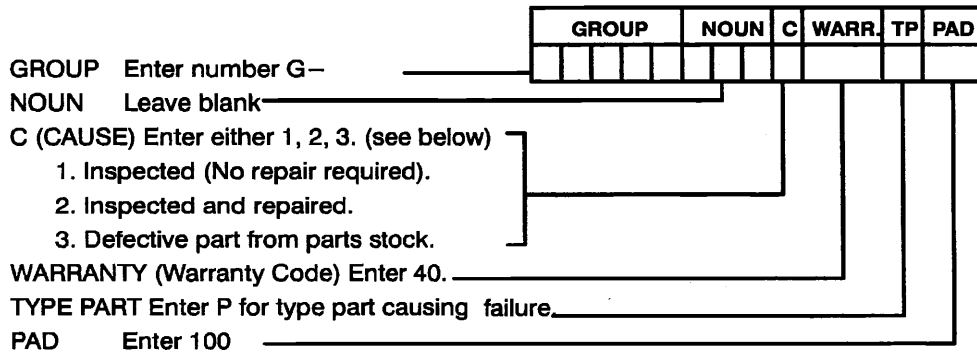
To avoid having to replace an owner vehicle or refund the purchase price, every effort must be made to promptly schedule an appointment with each owner to repair his or her vehicle as soon as possible.

During the recall process, a listing of owner names and addresses will be furnished to the involved dealers to enable dealers to follow up with owners and have the vehicles corrected. You must limit the use of this listing to this campaign because the list may contain information obtained from state motor vehicle registration records and the use of such motor vehicle registration data for purposes other than this campaign is a violation of law in several states.

WARRANTY CLAIMS

Refer to Dealer Warranty Manual for procedures to conduct Recall Campaigns.

It is important that the Recall Coding be completed properly to assist in processing the warranty claim. Complete instructions will be found in the Warranty Manual, Section 7-1. Special attention should be given to Items 39 through 44:



ADMINISTRATIVE/DISTRIBUTOR RESPONSIBILITY (EXPORT)

Proceed immediately to make necessary correction to units in inventory. All inventory vehicles subject to this recall campaign must be corrected prior to sale, transfer or delivery. If vehicles have been sold or transferred and you are in receipt of Customer Notification Letters and Authorization for Recall Service cards for those vehicles, the transfer location or customer must be notified from your distributor location.

Export locations are to submit warranty claims in the usual manner making reference to this recall number.

We ask for your full cooperation and follow-up to this important subject matter. If you have any questions or need further assistance, please contact the Regional Service Manager at your regional office.