

DAIMLERCHRYSLER

RECEIVED
NYS-215

2005 MAR 18 P 2:13

OFFICE OF
DEFECTS INVESTIGATION

DaimlerChrysler Corporation

Stephan J. Speth

Director

Vehicle Compliance & Safety Affairs

March 15, 2005

Ms. Kathleen C. DeMeter
Acting Associate Administrator, Safety Assurance
National Highway Traffic Safety Administration
400 Seventh Street, S.W.
Washington, D.C. 20590

Dear Ms. DeMeter:

Reference: NHTSA Identification Number 05V-066

Enclosed are representative copies of communications relating to the 2005 model year vehicles involved in the referenced recall. DaimlerChrysler expects to notify dealers during the week of March 21, 2005 and to begin owner notification during the week of March 28, 2005. The exact number of manufactured vehicles in the recall is 42,662.

The involved Vehicle Identification Number range is:

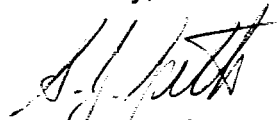
<u>Low</u>	<u>High</u>
5R234161	5R674509

(VIN last eight characters) - 5 = 2005 model year; R = Windsor Assembly Plant, Windsor Ontario; and the last six digits = sequential number.

We caution that the above range represents only the lowest and highest VIN sequential numbers included in the recall. This range cannot be used to determine conclusively that a vehicle is involved in the recall because most vehicles with a VIN within the range are not affected by the recall.

This completes DaimlerChrysler's package of information for this recall as required by the Defects Report Regulation.

Sincerely,



Stephan J. Speth, Director
Vehicle Compliance and Safety Affairs

Enclosure: Recall E04

Dealer Service Instructions for:

Safety Recall E04

Headlamp Wiring Harnesses

Models

2005 (CS) Chrysler Pacifica

NOTE: This recall applies only to the above vehicles equipped with halogen headlamps (sales code LME) built from July 1, 2004 through January 31, 2005 (MDH 070100 through 013100).

IMPORTANT: Some of the involved vehicles may be in dealer new vehicle inventory. Federal law requires you to stop sale and complete this recall service on these vehicles before retail delivery. Dealers should also consider this requirement to apply to used vehicle inventory and should perform this recall on vehicles in for service. Involved vehicles can be determined by using the VIP inquiry process.

Subject

The headlamp bulb wiring harness connectors on about 42,600 of the above vehicles may have incorrect electrical terminals. This can cause the headlamps to intermittently flicker or become inoperative, which could cause a crash without warning.

Repair

Both headlamp wiring harnesses must be inspected for a "Made in Mexico" tag. Vehicles that **do not** have a "Made in Mexico" tag on each harness must have the wiring harness(es) and low beam headlamp bulb(s) replaced.

Parts Information

Part Number Description
CBC0E040 Headlamp Harness Package

Each package contains the following components:

<u>Quantity</u>	<u>Description</u>
1	Headlamp Wiring Harness
1	Headlamp Bulb

Each dealer to whom vehicles in the recall were invoiced will receive enough Headlamp Harness Packages to service about **10%** of those vehicles.

NOTE: Each headlamp harness package will repair one headlamp assembly.

Service Procedure

A. Headlamp Harness Inspection:

1. Open the hood.
2. Remove the two headlamp retaining screws from the top of the right and left side of the headlamp panel (Figure 1).
3. Carefully pull out each headlamp assembly (one at a time) from the fascia and inspect **each** headlamp wiring harness for a silver “Made in Mexico” tag (Figure 2).

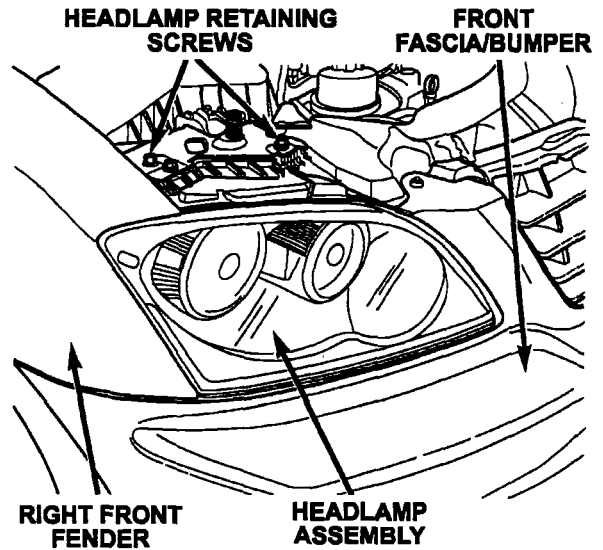


Figure 1 – Right Side Shown

- If there is a silver “Made in Mexico” tag on the headlamp wiring harness, no repair is required. Install the headlamp assembly back into position and install the headlamp retaining screws.

NOTE: There is a snap-clip that must be fully engaged on the bottom side of the headlamp assembly.

- If there is no silver “Made in Mexico” tag on the headlamp wiring harness, disconnect the 8-way headlamp connector and set the headlight assembly aside for wiring harness replacement. Continue with Section B Headlamp Wiring Harness Replacement.

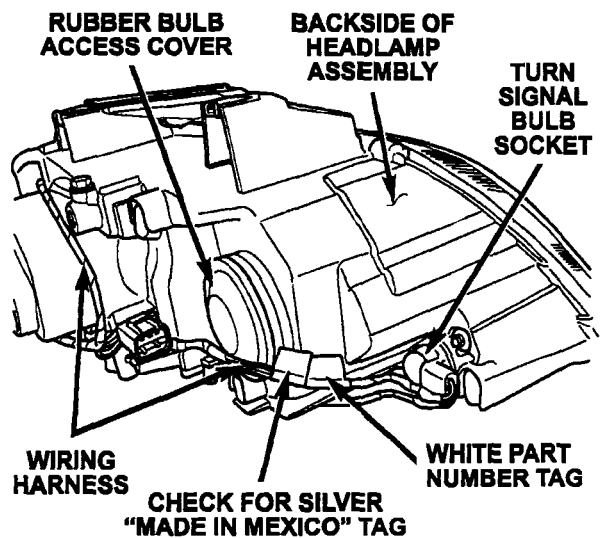


Figure 2 – Driver’s Side Shown

Service Procedure (Continued)**B. Headlamp Wiring Harness Replacement:**

NOTE: The following procedure is required if the headlamp harness requires replacement per the inspection in Section “A.”

1. Place a fender cover on a work bench to prevent scratching the headlamp lens surface during repair.

CAUTION: The headlamp lens can be easily scratched. Use care in handling the headlamp assembly while replacing the wiring harness.

2. With the headlamp assembly face down, remove the headlamp high and low beam bulb rubber access covers (Figure 3).

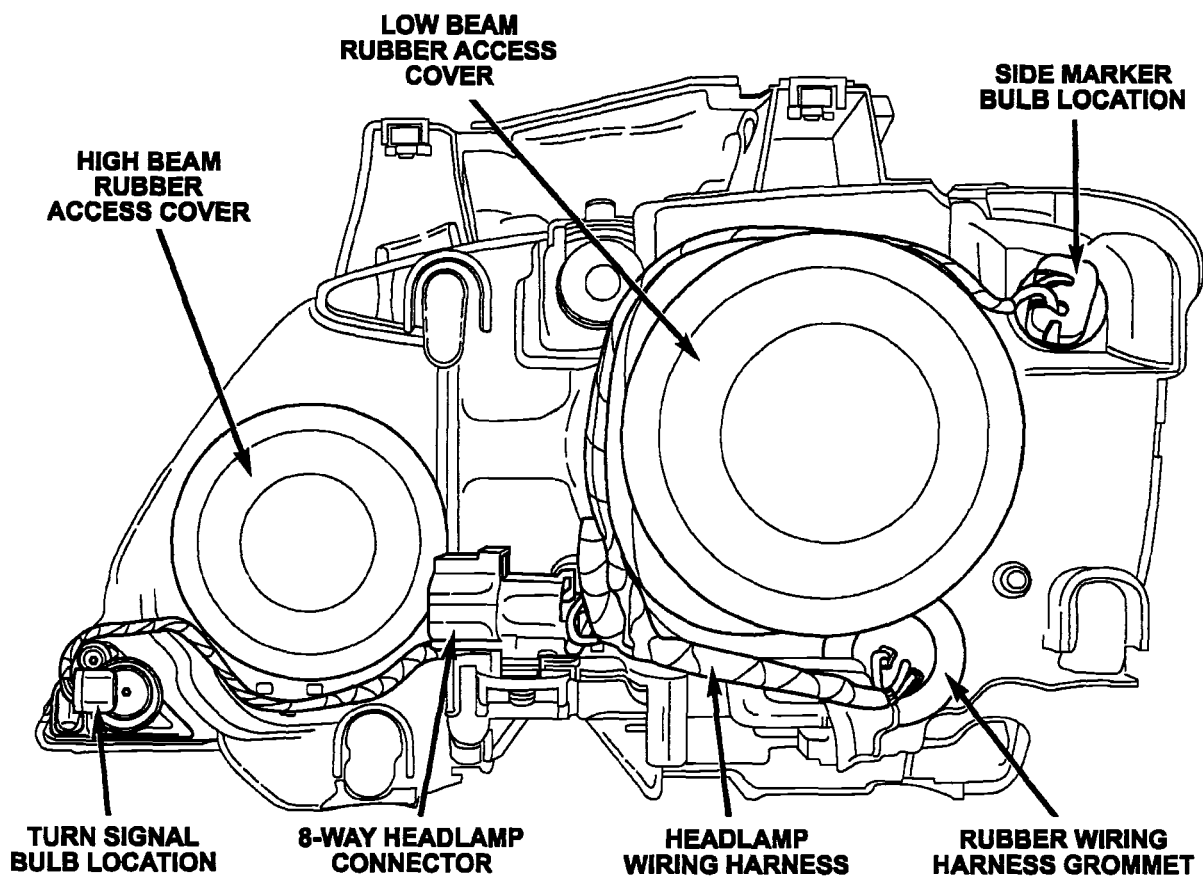


Figure 3 – Backside View of Headlamp Assembly

Service Procedure (Continued)

3. Rotate and remove the high beam bulb connector from the headlamp reflector.

CAUTION: Do not touch the glass part of the headlamp bulb. Oils from your hand will cause premature bulb failure.

NOTE: Do not discard the high beam bulb; it will be reinstalled.

4. Cut off and save the high beam bulb connector from the headlamp wiring harness (Figure 4).

NOTE: You must cut off the high beam bulb connector. The connector cannot be pulled through the headlamp housing due to lack of internal housing clearance.

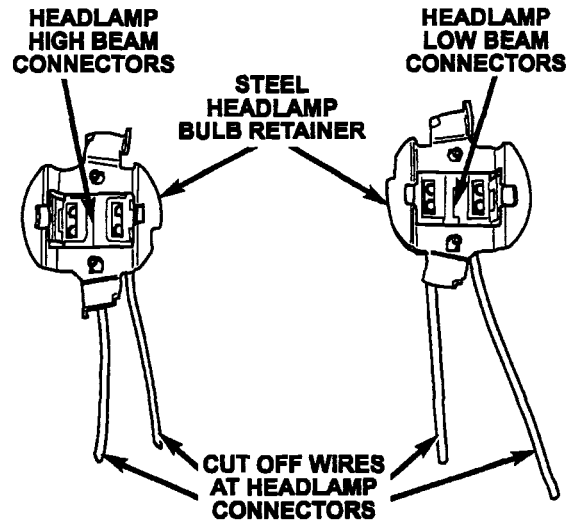


Figure 4

5. Rotate and remove the low beam bulb connector from the headlamp reflector.

6. Cut off and save the low beam bulb connector from the headlamp wiring harness.

7. Remove the turn signal bulb socket from the headlamp housing (Figure 3).

8. Remove the side marker light socket from the headlamp housing (Figure 3).

9. Remove the rubber grommet from the headlamp housing (Figure 5).

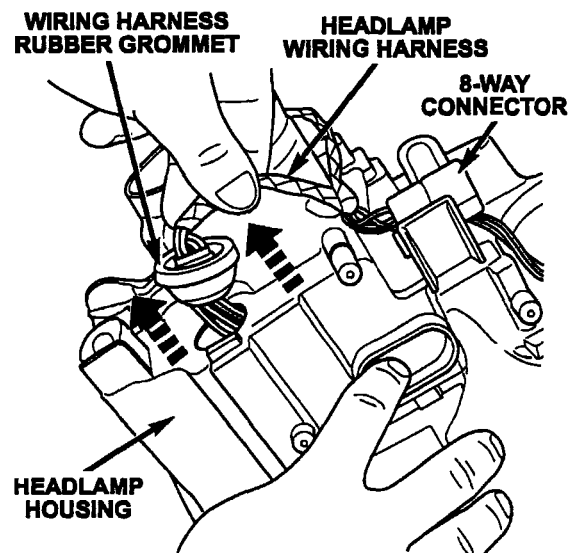


Figure 5

Service Procedure (Continued)

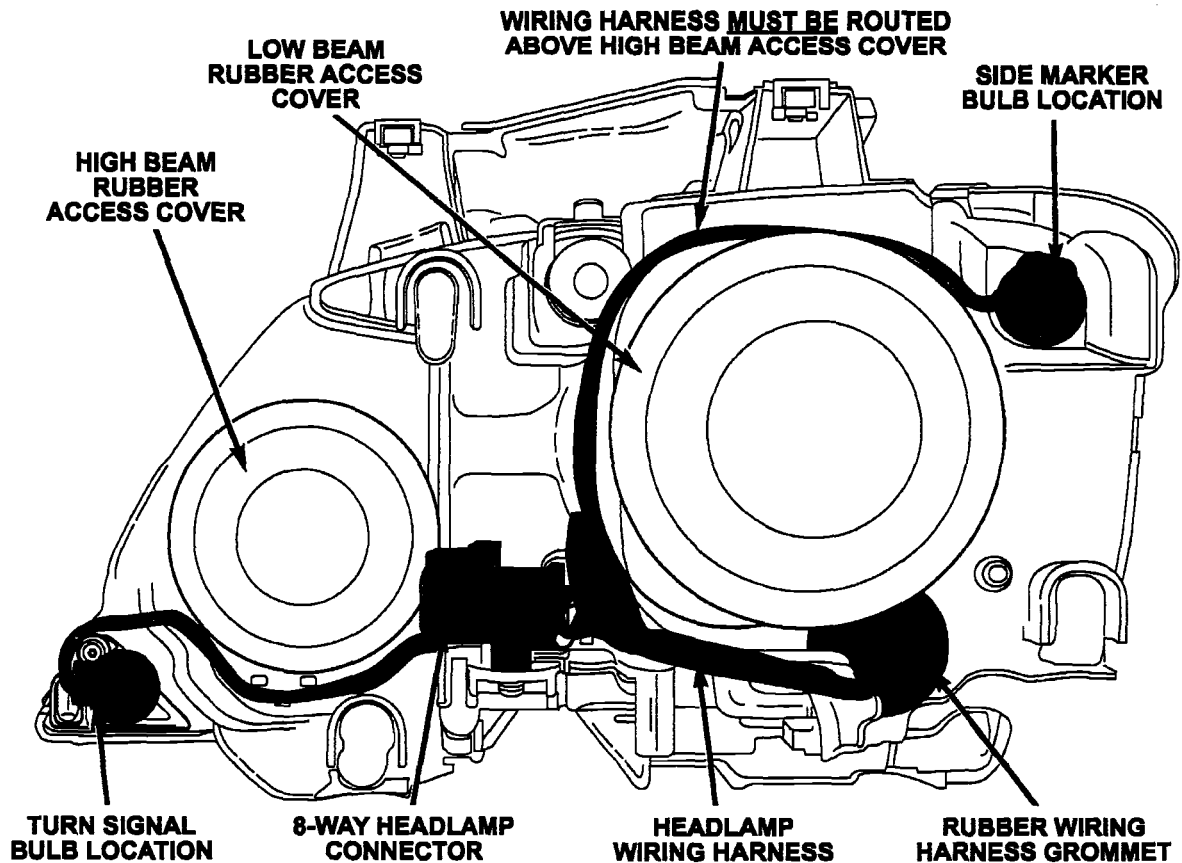


Figure 6

10. Remove the wiring harness from the headlamp assembly.

CAUTION: Note the wiring routing before removing the wiring harness so that the new harness is routed in the same position.

11. Install the new harness onto the headlamp assembly as shown in Figure 6.

CAUTION: Be sure that the wiring harness rubber grommet is fully installed.

12. Remove the original low beam headlamp bulb from the old harness and discard the bulb.

13. Transfer the low beam stainless steel headlamp bulb retainer from the old wiring harness onto the new wiring harness (Figure 4).

CAUTION: Note the orientation of the steel retainer clip before removing it from the old harness (Figure 4). This will ensure it is installed correctly on the new headlamp bulb connector.

Service Procedure (Continued)

14. **Without touching the glass** portion of the headlamp bulb, install the new low beam headlamp bulb into the headlamp harness connector (Figure 7). Then insert the bulb connector into the headlamp housing reflector so that the ears on the steel bulb retainer are under the retaining screws.

CAUTION: The headlamp bulbs have a locator tab. Be sure to install the bulb in the correct position.

15. Remove the original high beam headlamp bulb from the harness connector and set aside.

CAUTION: Do not touch the glass part of the headlamp bulb. Oils from your hand will cause premature bulb failure.

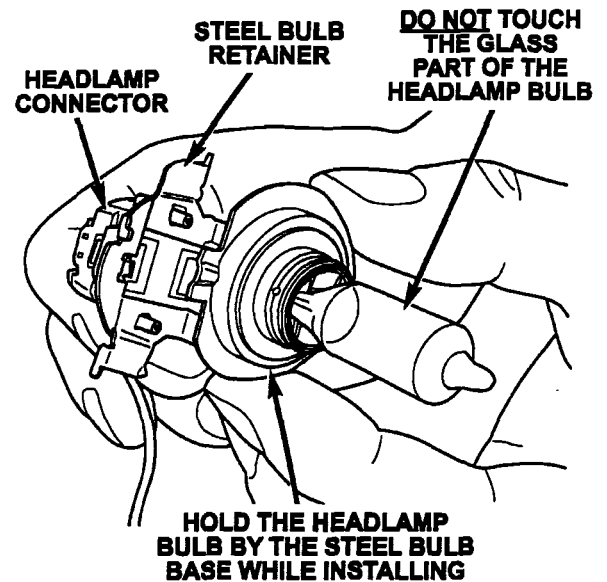


Figure 7

16. Transfer the high beam stainless steel headlamp bulb retainer from the old wiring harness onto the new wiring harness (Figure 4).

CAUTION: Note the orientation of the steel retainer clip before removing it from the old harness (Figure 4). This will ensure it is installed correctly on the new headlamp bulb connector.

17. **Without touching the glass** portion of the headlamp bulb, reinstall the high beam headlamp bulb into the new headlamp harness connector (Figure 7). Then insert the bulb connector into the headlamp housing reflector so that the ears on the steel bulb retainer are under the retaining screws.

CAUTION: The headlamp bulbs have a locator tab. Be sure to install the bulb in the correct orientation.

18. Transfer the turn signal and side marker light bulbs to the new headlamp wiring harness.
19. Install the turn signal and side marker bulb sockets into the headlamp housing.
20. Install the headlamp assembly(s) back into position on the vehicle.

NOTE: There is a snap-clip that must be fully engaged on the bottom side of the headlamp assembly.

Service Procedure (Continued)

21. Install the headlamp assembly retaining screws and tighten to 50 in. lbs. (6 N·m) (Figure 1).
22. Repeat Steps 1 through 21 for the other headlamp assembly if necessary.
23. Verify headlamp high and low beam operation.
24. Close the hood and return the vehicle to the customer.

Completion Reporting and Reimbursement

Claims for vehicles that have been serviced must be submitted on the DealerCONNECT Claim Entry Screen located on the Service tab. Claims submitted will be used by DaimlerChrysler to record recall service completions and provide dealer payments.

Use one of the following labor operation numbers and time allowances:

	Labor Operation Number	Time Allowance
Inspect both headlamp wiring harnesses for silver “Made in Mexico” tag	08-E0-41-81	0.2 hours
Inspect both headlamp wiring harnesses for silver “Made in Mexico” tag and replace one harness (right or left)	08-E0-41-82	0.3 hours
Inspect both headlamp wiring harnesses for silver “Made in Mexico” tag and replace right and left headlamp harnesses	08-E0-41-83	0.4 hours

Add the cost of the recall parts package plus applicable dealer allowance to your claim.

NOTE: See the Warranty Administration Manual, Recall Claim Processing Section, for complete recall claim processing instructions.

Dealer Notification

All dealers will receive a copy of this dealer recall notification letter by mail. Two additional copies will be sent through the DCMMS. To view notification on DealerCONNECT, select “Global Recall System” on the Service tab, then click on the description of this notification.

Owner Notification and Service Scheduling

All involved vehicle owners known to DaimlerChrysler are being notified of the service requirement by first class mail. They are requested to schedule appointments for this service with their dealers. A generic copy of the owner letter is attached.

Enclosed with each owner letter is an Owner Notification postcard to allow owners to update our records if applicable.

Dealers are encouraged to consider alternative scheduling and servicing approaches for this recall. This repair does not require hoists or other full service facility special equipment and is a DaimlerChrysler Mobile Service approved repair.

Vehicle Lists, Global Recall System, VIP and Dealer Follow Up

All involved vehicles have been entered into the DealerCONNECT Global Recall System (GRS) and Vehicle Information Plus (VIP) for dealer inquiry as needed.

GRS provides involved dealers with an updated VIN list of their incomplete vehicles. The owner’s name, address and phone number are listed if known. Completed vehicles are removed from GRS within several days of repair claim submission.

To use this system, click on the “**Service**” tab and then click on “**Global Recall System.**” Your dealer’s VIN list for each recall displayed can be sorted by: those vehicles that were unsold at recall launch, those with a phone number, city, zip code, or VIN sequence.

Dealers must perform this repair on all unsold vehicles before retail delivery. Dealers should also use the VIN list to follow up with all owners to schedule appointments for this repair.

Recall VIN lists may contain confidential, restricted owner name and address information that was obtained from the Department of Motor Vehicles of various states. Use of this information is permitted for this recall only and is strictly prohibited from all other use.

Additional Information

If you have any questions or need assistance in completing this action, please contact your Service and Parts District Manager.

Customer Services Field Operations
DaimlerChrysler Corporation

DAIMLERCHRYSLER

*Buckle up
for Safety!*

SAFETY RECALL – HEADLAMP WIRING HARNESSSES

Dear: (Name)

This notice is sent to you in accordance with the requirements of the National Traffic and Motor Vehicle Safety Act.

DaimlerChrysler Corporation has decided that a defect, which relates to motor vehicle safety, exists in some **2005 model year Chrysler Pacifica vehicles equipped with halogen headlamps.**

The problem is... **The headlamp bulb wiring harness connectors on your vehicle (VIN: xxxxxxxxxxxxxxxxxxxx) may have incorrect electrical terminals. This can cause the headlamps to intermittently flicker or become inoperative, which could cause a crash without warning.**

What your dealer will do... **DaimlerChrysler will repair your vehicle free of charge (parts and labor).** To do this your dealer will inspect your headlamp wiring harnesses and replace the harnesses and low beam headlamp bulbs if necessary. The work will take about 1/2 hour to complete. However, additional time may be necessary depending on how dealer appointments are scheduled and processed.

NOTE: Future headlamp bulb replacement costs are the owner's responsibility.

What you must do to ensure your safety... **Simply contact your dealer right away to schedule a service appointment. Ask the dealer to hold the parts for your vehicle or to order them before your appointment. Remember to bring this letter with you to your dealer.**

If you need help... **If you have questions or concerns which your dealer is unable to resolve, please contact DaimlerChrysler at 1-800-853-1403.**

Please help us update our records, by filling out the enclosed prepaid postcard, if any of the conditions listed on the card apply to you or your vehicle. Be sure to print the last eight (8) characters of the VIN (VVVVVVVV) and notification code E04 on the postcard.

If you have already experienced this condition and have paid to have it repaired, you may send your original receipts and/or other adequate proof of payment to the following address for reimbursement: DaimlerChrysler, P.O. Box 610207, Port Huron, MI 48061-0207, Attention: Reimbursement.

If your dealer fails or is unable to remedy this defect without charge and within a reasonable time, you may submit a written complaint to the Administrator, National Highway Traffic Safety Administration, 400 Seventh Street, S.W., Washington, DC 20590, or call the toll-free Auto Safety Hotline at 1-888-327-4236.

We're sorry for any inconvenience, but we are sincerely concerned about your safety. Thank you for your attention to this important matter.

Customer Services Field Operations
DaimlerChrysler Corporation
Notification Code E04

Note to lessors receiving this recall: Federal regulation requires that you forward this recall notice to the lessee within 10 days.