



Reinke Manufacturing
Company, Inc.

101 Reinke Road • PO Box 566
Deshler, Nebraska, 68340 U.S.A
Telephone: 402-365-7251
Fax: 402-365-4370
www.reinke.com

05V-332
(19 pages)

July 21, 2005

Pat Wallace
National Highway Traffic Safety Administration
400 7th Street, SW
Washington, DC 20590

Dear Pat:

Find enclosed the revised Form 573 that I discussed earlier this week with Kelly Schuler in your office. Kelly told me to send this notice to your attention. You will notice that this version deals with toolbox brackets sold with new trailers. I faxed a copy of this report to you on July 21, 2005.

I have forwarded another version of this Form 573 to Kelly Schuler, per her instruction, that deals with toolbox brackets sold through our parts department.

You will notice that items 5 and 6 are incomplete. I will forward this information to your attention as soon as it becomes available.

If you have any questions please do not hesitate to contact me at (402) 365-7251. Thanks for your assistance.

Sincerely,

Tim Goldhammer
VP Marketing
Reinke Manufacturing Company, Inc.

Enclosure (19 pages)



Our Mission...

To Exceed Our Customers' Expectations
Of Quality, Service, And Innovation.

PART 573 Defect and Noncompliance Report

On July 13, 2005, Reinke Manufacturing Company, Inc. determined that a defect which relates to motor vehicle safety exists in the motor vehicles listed below, and is furnishing notification to the National Highway Traffic Safety Administration in accordance with 49 CFR Part 573 Defect and Noncompliance Reports.

Date this report was prepared: July 15, 2005

Manufacturer's identification code for this recall:

(Leave blank to have NHTSA assign a recall code.)

1. Manufacturer's Information

Manufacturer's full corporate or individual name: Reinke Manufacturing Company, Inc.

Corporate contact: Mr. Bob Friehe, President

Telephone No.: (402) 365-7251

Fax No.: (402) 365-4370

Name and title of person who prepared this report:

Tim Goldhammer, VP of Marketing

Signed: 

2. Identification of Recalled Items of Motor Vehicle Equipment

Generic Name: Combination Steel/Aluminum Flatbed Trailers

Trailer ID: See attachment 2A which lists the affected trailers by serial number sorted by direct sell customer or dealers name. If third and fourth letters in the serial number are "FC" this would identify the trailer as a "Flatbed - Combination". The following 2 digits would indicate trailer length.

Size: These trailers are manufactured in lengths of 45', 48', 50' and 53'

Function: These trailers are used in various applications to haul a large variety of freight types

Inclusive dates of manufacture: January 1, 2003 through July 13, 2005

Other descriptive information: These trailers are built with steel beams and an aluminum floor.

Generic Name: Combination Steel/Aluminum Dropdeck Trailers

Trailer ID: See attachment 2A which lists the affected trailers by serial number sorted by direct sell customer or dealers name. If third and fourth letters in the serial number are "DC" this would identify the trailer as a "Dropdeck - Combination". The following 2 digits would indicate trailer length.

Size: These trailers are manufactured in lengths of 48', 51', 52' and 53'

Function: These trailers are used in various applications to haul a large variety of freight types

Inclusive dates of manufacture: January 1, 2003 through July 13, 2005

Other descriptive information: These trailers are built with steel beams and an aluminum floor. These trailers have an 11' top deck and then it drops 19" to the bottom deck which would then make up the remainder of the length of the trailer.

Generic Name: Aluminum Flatbed Trailers

Trailer ID: See attachment 2A which lists the affected trailers by serial number sorted by direct sell customer or dealers name. If third and fourth letters in the serial number are “FA” this would identify the trailer as a “Flatbed Aluminum”. The following 2 digits would indicate trailer length.

Size: These trailers are manufactured in lengths of 48’, 50’ and 53’

Function: These trailers are used in various applications to haul a large variety of freight types

Inclusive dates of manufacture: January 1, 2003 through July 13, 2005

Other descriptive information: These trailers are of an all aluminum construction.

Basis for determining recall population: Recently information was received that suggested a defect related to motor vehicle safety existed in the item(s) described above. We have reason to believe that the aluminum toolbox bracket (part #223021 and #223022, please see attached drawings 2A and 2B) that is used to attach toolboxes of various dimensions to the trailers that we manufacture, as mentioned above, is defective. Reinke went back to its warranty records in order to ascertain when this problem developed. Warranty authorization logs were reviewed back through our 2001-02 marketing year (July 1, 2001 – through June 30, 2002). We identified only 1 reported toolbox bracket breaking for this marketing year; 2 for marketing year 2002-03; 2 for marketing year 2003-04 and 9 for marketing year 2004-05. Based on these numbers we felt that the number of reported bracket failures were not excessive until early in calendar year 2005. We feel that a beginning date of January 1, 2003 would cover any potentially affected brackets as we have no information indicating the problem existed prior to that date. Based on the dates of manufacture, records show that 882 brackets were manufactured and installed on trailers between 01/01/03 and 07/13/05. Those 882 brackets were installed as part of toolbox mounting systems on the 548 flatbed trailers manufactured by Reinke Manufacturing as indicated on the attached trailer listing.

Company sales data reveals the identity of customers who were the direct first purchasers and dealers to which the 548 trailers were sold. As much information as possible regarding customers who purchased from dealers will be obtained from warranty card information.

3. Description of the Defect

Brief summary of defect:

In some instances the bracket(s) develop cracks along the bend radius lines.

Detailed description of defect addressing nature and physical location, cause, consequence and any preceding warning (including graphic aids as necessary): The failure mode is the progression of a fatigue crack along either of the bends on these two parts. During the manufacture of these parts, the bend radius was too small. As a result a stress riser was created that greatly reduced the fatigue life of the part. These small cracks can further develop based on trailer usage whereby in certain applications the bracket may break causing the toolbox to separate from the trailer. Please see attached drawing marked 3A that depicts bend lines.

4. Numerical Information

Total Number of items of equipment potentially containing the defect: 882 brackets

Total Number of trailers with potentially defective equipment installed: 548 trailers

Percentage of items of equipment in the recall population estimated to actually contain the defect: All brackets produced during the time period identified above were produced in the manner described above. Therefore all brackets (882) produced during that time period may be subject to defect.

5. Chronology

Collection of all principal events that were the basis for the determination that the defect related to motor vehicle safety, including a summary of all (with dates of receipt):

- **Warranty claims**
- **Field or service reports**
- **Other information**

6. Description of Remedy Plan

General description:

Plan for reimbursing owner or purchaser who incurred costs to obtain remedy for the defect a reasonable time in advance of notification:

Date the owner notification list will be ready:

Date the remedy will be developed: Remedy has been developed and aluminum gussets are being fabricated to aid in the remedy.

Estimated date to begin sending notification to owners and dealers: July 29, 2005

Estimated date to complete sending notification to owners and dealers: August 12, 2005

Date the manufacturer will have sufficient parts to begin: July 25, 2005

7. Related Documents

Submit a representative copy of all notices, bulletins, and other communications that related directly to the defect and are sent to more than one manufacturer, distributor, dealer, or purchaser.

Submit report by certified mail to:

**Associate Administrator for Safety Assurance (NSA-01)
National Highway Traffic Safety Administration
400 7th Street, SW
Washington, DC 20590**

**Fax copy to the attention of the Chief, Defects and Recall Information Analysis Division
Fax No.: (202) 366-7882**

Dealer	Serial #	Toolbox Part #	Toolbox Qty	Toolbox Description	Customer Name	Address	City	State	Zip
C T I TRAILER SALES LLC	*4C6FC482X41050120	253037-M	1	BOX OPT-MER CT LW 24X24X60-2DR					
C T I TRAILER SALES LLC	*4C6FC482141050121	253037-M	1	BOX OPT-MER CT LW 24X24X60-2DR					
C T I TRAILER SALES LLC	*4C6FC482341050122	253037-M	1	BOX OPT-MER CT LW 24X24X60-2DR					
C T I TRAILER SALES LLC	*4C6FC482541050123	253037-M	1	BOX OPT-MER CT LW 24X24X60-2DR					
C T I TRAILER SALES LLC	*4C6FC482741050124	253037-M	1	BOX OPT-MER CT LW 24X24X60-2DR					
C T I TRAILER SALES LLC	*4C6FC482941050125	253037-M	1	BOX OPT-MER CT LW 24X24X60-2DR					
C T I TRAILER SALES LLC	*4C6FC482041050126	253037-M	1	BOX OPT-MER CT LW 24X24X60-2DR					
C T I TRAILER SALES LLC	*4C6FC482241050127	253037-M	1	BOX OPT-MER CT LW 24X24X60-2DR					
C T I TRAILER SALES LLC	*4C6FC482641050129	253037-M	1	BOX OPT-MER CT LW 24X24X60-2DR					
C T I TRAILER SALES LLC	*4C6FC482241050130	253037-M	1	BOX OPT-MER CT LW 24X24X60-2DR					
C T I TRAILER SALES LLC	*4C6FC482441050131	253037-M	1	BOX OPT-MER CT LW 24X24X60-2DR					
C T I TRAILER SALES LLC	*4C6FC482641050132	253037-M	1	BOX OPT-MER CT LW 24X24X60-2DR					
C T I TRAILER SALES LLC	*4C6FC482841050133	253037-M	1	BOX OPT-MER CT LW 24X24X60-2DR					
C T I TRAILER SALES LLC	*4C6FC482X41050134	253037-M	1	BOX OPT-MER CT LW 24X24X60-2DR					
C T I TRAILER SALES LLC	*4C6FC482741060135	253037-M	1	BOX OPT-MER CT LW 24X24X60-2DR					
C T I TRAILER SALES LLC	*4C6FC482941060136	253037-M	1	BOX OPT-MER CT LW 24X24X60-2DR					
C T I TRAILER SALES LLC	*4C6FC482041060137	253037-M	1	BOX OPT-MER CT LW 24X24X60-2DR					
C T I TRAILER SALES LLC	*4C6FC482241060138	253037-M	1	BOX OPT-MER CT LW 24X24X60-2DR					
C T I TRAILER SALES LLC	*4C6FC482441060139	253037-M	1	BOX OPT-MER CT LW 24X24X60-2DR					
C T I TRAILER SALES LLC	*4C6FC482041060140	253037-M	1	BOX OPT-MER CT LW 24X24X60-2DR					
C T I TRAILER SALES LLC	*4C6FC482241060141	253037-M	1	BOX OPT-MER CT LW 24X24X60-2DR					
C T I TRAILER SALES LLC	*4C6FC482441060142	253037-M	1	BOX OPT-MER CT LW 24X24X60-2DR					
C T I TRAILER SALES LLC	*4C6FC482641060143	253037-M	1	BOX OPT-MER CT LW 24X24X60-2DR					
C T I TRAILER SALES LLC	*4C6FC482841060144	253037-M	1	BOX OPT-MER CT LW 24X24X60-2DR					
C T I TRAILER SALES LLC	*4C6FC482X41060145	253037-M	1	BOX OPT-MER CT LW 24X24X60-2DR					
C T I TRAILER SALES LLC	*4C6FC482141060146	253037-M	1	BOX OPT-MER CT LW 24X24X60-2DR					
C T I TRAILER SALES LLC	*4C6FC482341060147	253037-M	1	BOX OPT-MER CT LW 24X24X60-2DR					
C T I TRAILER SALES LLC	*4C6FC482541060148	253037-M	1	BOX OPT-MER CT LW 24X24X60-2DR					
C T I TRAILER SALES LLC	*4C6FC482741060149	253037-M	1	BOX OPT-MER CT LW 24X24X60-2DR					
C T I TRAILER SALES LLC	*4C6FC482341060150	253037-M	1	BOX OPT-MER CT LW 24X24X60-2DR					
C T I TRAILER SALES LLC	*4C6FC482541060151	253037-M	1	BOX OPT-MER CT LW 24X24X60-2DR					
C T I TRAILER SALES LLC	*4C6FC482741060152	253037-M	1	BOX OPT-MER CT LW 24X24X60-2DR					
C T I TRAILER SALES LLC	*4C6FC482941060153	253037-M	1	BOX OPT-MER CT LW 24X24X60-2DR					
C T I TRAILER SALES LLC	*4C6FC482041060154	253037-M	1	BOX OPT-MER CT LW 24X24X60-2DR					
C T I TRAILER SALES LLC	*4C6FC482241060155	253037-M	1	BOX OPT-MER CT LW 24X24X60-2DR					
C T I TRAILER SALES LLC	*4C6FC482441060156	253037-M	1	BOX OPT-MER CT LW 24X24X60-2DR					
C T I TRAILER SALES LLC	*4C6FC482641060157	253037-M	1	BOX OPT-MER CT LW 24X24X60-2DR					
C T I TRAILER SALES LLC	*4C6FC482841060158	253037-M	1	BOX OPT-MER CT LW 24X24X60-2DR					
C T I TRAILER SALES LLC	*4C6FC482X41060159	253037-M	1	BOX OPT-MER CT LW 24X24X60-2DR					
C T I TRAILER SALES LLC	*4C6FC482841090213	253037-M	1	BOX OPT-MER CT LW 24X24X60-2DR					
C T I TRAILER SALES LLC	*4C6DC482051070191	253067	1	TOOLBOX MNT OPT LOW 60" DD					
C T I TRAILER SALES LLC	*4C6DC482851080192	253067	1	TOOLBOX MNT OPT LOW 60" DD					
C T I TRAILER SALES LLC	*4C6DC482X51080193	253067	1	TOOLBOX MNT OPT LOW 60" DD					
C T I TRAILER SALES LLC	*4C6DC482151080194	253067	1	TOOLBOX MNT OPT LOW 60" DD					
C T I TRAILER SALES LLC	*4C6DC482351080195	253067	1	TOOLBOX MNT OPT LOW 60" DD					
C T I TRAILER SALES LLC	*4C6DC482551080196	253067	1	TOOLBOX MNT OPT LOW 60" DD					
C T I TRAILER SALES LLC	*4C6FC482651080197	253244	1	TOOLBOX MNT OPT LOW-60" COMBO					
C T I TRAILER SALES LLC	*4C6FC482851080198	253244	1	TOOLBOX MNT OPT LOW-60" COMBO					
C T I TRAILER SALES LLC	*4C6FC482X51080199	253244	1	TOOLBOX MNT OPT LOW-60" COMBO					
C T I TRAILER SALES LLC	*4C6FC482251080200	253244	1	TOOLBOX MNT OPT LOW-60" COMBO					
C T I TRAILER SALES LLC	*4C6FC482451080201	253244	1	TOOLBOX MNT OPT LOW-60" COMBO					
C T I TRAILER SALES LLC	*4C6FC482651080202	253244	1	TOOLBOX MNT OPT LOW-60" COMBO					
C T I TRAILER SALES LLC	*4C6FC482351090203	253244	1	TOOLBOX MNT OPT LOW-60" COMBO					
C T I TRAILER SALES LLC	*4C6FC482551090204	253244	1	TOOLBOX MNT OPT LOW-60" COMBO					
C T I TRAILER SALES LLC	*4C6FC482751090205	253244	1	TOOLBOX MNT OPT LOW-60" COMBO					
C T I TRAILER SALES LLC	*4C6FC482651080460	253244	1	TOOLBOX MNT OPT LOW-60" COMBO					
C T I TRAILER SALES LLC	*4C6FC482151080561	253244	1	TOOLBOX MNT OPT LOW-60" COMBO					

Dealer	Serial #	Toolbox Part #	Toolbox Qty	Toolbox Description	Customer Name	Address	City	State	Zip
CROSSROADS TRAILER SALES	*4C6DC482851050240	253041-M	1	BOX OPT-MER DDC LOW24X18X60-2D	TONY'S DIESEL SERVICE, INC.	3401 TEEM DRIVE	SIoux FALLS	SD	57107
CROSSROADS TRAILER SALES	*4C6DC482X51050241	253036	1	TOOLBX OPT-DDCT LW 24X18X60-2D	TONY'S DIESEL SERVICE, INC.	3401 TEEM DRIVE	SIoux FALLS	SD	57107
CROSSROADS TRAILER SALES	*4C6DC522151040244	253041-M	1	BOX OPT-MER DDC LOW24X18X60-2D	TONY'S DIESEL SERVICE, INC.	3401 TEEM DRIVE	SIoux FALLS	SD	57107
CROSSROADS TRAILER SALES & SERVICE	253043-M	253043-M	1	BOX OPT-MER CT 24X24X60-2DOOR					
CROSSROADS TRAILER SALES	*4C6DC522951050245	253041-M	1	BOX OPT-MER DDC LOW24X18X60-2D	TONY'S DIESEL SERVICE, INC.	3401 TEEM DRIVE	SIoux FALLS	SD	57107
CROSSROADS TRAILER SALES & SERVICE	253043-M	253043-M	1	BOX OPT-MER CT 24X24X60-2DOOR					
FLEET EQUIPMENT, LLC	*4C6FC482541040160	253027-H	1	BOX-OPT-HIGHWY-LOW 24X24X60 2D	AL TOCCI	3546 NORTH SHERIDAN ROAD	TULSA	OK	74115
FLEETCO - NASHVILLE	*4C6DC482351030087	253041-A	1	BOX OPT-DDCT LOW 2DR 24X18X60					
FLEETCO - NASHVILLE	*4C6FC482451030088	253037-A	1	TOOLBX OP-AERO CT LW 242460-2D					
FLEETCO - NASHVILLE	*4C6DC522351030105	253041-A	1	BOX OPT-DDCT LOW 2DR 24X18X60	LKM ENTERPRISES, INC.	PO BOX 1297	ROCKY FACE	GA	30740
FLEETCO - NASHVILLE	*4C6DC482751030106	254454	4	TOOLBOX OP-DD-LOW-241860-1DSS	KEVIN ROWE				
FLEETCO - NASHVILLE	*4C6DC522751030107	254454-A	2	TLBX OPT-DD-LOW-241860-1DSS-AR	DAN & PEPPER LOWMAN				
FLEETCO - NASHVILLE		254462-A	2	TOOLBOX-LOW DD 241860 2DSS					
FLEETCO - NASHVILLE	*4C6FC482351070419	253037-A	2	TOOLBX OP-AERO CT LW 242460-2D	MAM-ZAK				
FLEETCO - NASHVILLE	*4C6DC482251110514	254462-A	1	TOOLBOX-LOW DD 241860 2DSS					
FLEETCO - NASHVILLE	*4C6FC482251110571	253037-A	2	TOOLBX OP-AERO CT LW 242460-2D	RICHEL BAGSHAW				
FLEETCO - NASHVILLE	*4C6FC482251100574	253090-A	1	BOX CMB AERO LOW 242460 2DSS					
FLEETCO - NASHVILLE	*4C6FC482451100575	253090-A	1	BOX CMB AERO LOW 242460 2DSS					
FLEETCO - NASHVILLE	*4C6FC482361030021	253090-A	1	BOX CMB AERO LOW 242460 2DSS					
FLEETCO - NASHVILLE	*4C6FC482561030022	253090-A	1	BOX CMB AERO LOW 242460 2DSS					
FLEETCO - NASHVILLE	*4C6FC482761030023	253090-A	1	BOX CMB AERO LOW 242460 2DSS					
FLEETCO - NASHVILLE	*4C6FC482X61050024	253090-A	2	BOX CMB AERO LOW 242460 2DSS					
FLEETCO - NASHVILLE	*4C6FC482161050025	253090-A	2	BOX CMB AERO LOW 242460 2DSS					
FLEETCO - NASHVILLE	*4C6FC482361050026	253090-A	2	BOX CMB AERO LOW 242460 2DSS					
FLEETCO - NASHVILLE	*4C6FC482X61030064	253090-A	1	BOX CMB AERO LOW 242460 2DSS					
FLEETCO - NASHVILLE	*4C6FC482161030065	253090-A	1	BOX CMB AERO LOW 242460 2DSS					
FLEETCO - NASHVILLE	*4C6FC482361030066	253090-A	1	BOX CMB AERO LOW 242460 2DSS					
FLEETCO - NASHVILLE	*4C6FC482561030067	253090-A	1	BOX CMB AERO LOW 242460 2DSS					
FLEETCO - NASHVILLE	*4C6FC482761030068	253090-A	1	BOX CMB AERO LOW 242460 2DSS					
FLEETCO - NASHVILLE	*4C6FC482961030069	253090-A	1	BOX CMB AERO LOW 242460 2DSS					
FLEETCO - NASHVILLE	*4C6FC482561030070	253090-A	1	BOX CMB AERO LOW 242460 2DSS					
FLEETCO - NASHVILLE	*4C6FC482761030071	253090-A	1	BOX CMB AERO LOW 242460 2DSS					
FLEETCO - NASHVILLE	*4C6FC482961030072	253090-A	1	BOX CMB AERO LOW 242460 2DSS					
GEORGE BROTHERS INC	*4C6DC482731090144	253040-A	1	BOX OPT AERO DD 241860-2DR					
GIRARD EQUIPMENT CO	*4C6FC482631100154	253037-M	2	BOX OPT-MER CT LW 24X24X60-2DR	RODNEY W. RAUP	11605 OLD TURNPIKE ROAD	MIFFLINBURG	PA	17844
GIRARD EQUIPMENT CO	*4C6DC482941030013	253040-M	1	BOX OPT-MER DDC 24X18X60-2DR	ERIC W. REDMOND	1466 STEWARTS GREINERS ROAD, RT 1 BOX 134	GENOA	NY	13071
GIRARD EQUIPMENT CO	*4C6DC482041030014	253040-M	1	BOX OPT-MER DDC 24X18X60-2DR	WILLIAM T. LEACH	23 MIDNIGHT SUN DRIVE	EPPING	NH	03042
GIRARD EQUIPMENT CO	*4C6DC482141040017	253040-M	1	BOX OPT-MER DDC 24X18X60-2DR	THOMAS F. BISHOP	53 DUANE ROAD	DOYLESTOWN	PA	18901
GIRARD EQUIPMENT CO	*4C6DC482341040018	253040-M	1	BOX OPT-MER DDC 24X18X60-2DR	BILL OR LAURA BUCKNER	17453 BIG FISH LAKE ROAD	COLD SPRINGS	MN	5632
GIRARD EQUIPMENT CO	*4C6FC482851090472	253037-A	2	TOOLBX OP-AERO CT LW 242460-2D	DMD TRANSPORTATION	2189 STONEY HILL ROAD	HINKLEY	OH	44233
GIRARD EQUIPMENT CO	*4C6FC482461030044	253037-A	2	TOOLBX OP-AERO CT LW 242460-2D					
GIRARD EQUIPMENT CO	*4C6FC482461040136	253037-A	2	TOOLBX OP-AERO CT LW 242460-2D	FREDDY NELSEN DBA: NELSEN TRUCKING	419 EAST 13TH STREET	COZAD	NE	69130
GREATWEST KENWORTH LT	*4C6DC482341090224	253040-A	2	BOX OPT AERO DD 241860-2DR	SKANDEL TRUCKING, LTD - KELLY PATTERSON	BOX 1, SITE 1, RR #2	DIDSBURY	AB	TOM 0W0
GREATWEST KENWORTH LT	*4C6DC482541090225	253040-A	2	BOX OPT AERO DD 241860-2DR	DAVE NUNN	BOX 568	BRETON	AB	TOL 0P0
JIM HAWK TRUCK TRAILERS	*4C6FC482431100153	253037-M	2	BOX OPT-MER CT LW 24X24X60-2DR	SID & CINDY BRAKKE				

Dealer	Serial #	Toolbox Part #	Toolbox Qty	Toolbox Description	Customer Name	Address	City	State	Zip
JIM HAWK TRUCK TRAILERS,	*4C6DC482041090214	253041-A	2	BOX OPT-DDCT LOW 2DR 24X18X60	CHRIS HERREN	24497 456TH AVE	COLTON	SD	57016
JIM HAWK TRUCK TRAILERS,	*4C6DC482441010431	254460	2	TOOLBOX OP-DD-LOW-241836-1DSS	HEDGE & HERBERG	605 DAKOTA AVE	BIG STONE CITY	SD	57216
JIM HAWK TRUCK TRAILERS, INC. (SIOU		254461	2	TOOLBOX OP-DD-LOW-241860-2DSS					
KEIM TS, INC.	*4C6FA532141100230	252800-A	1	BOX OPT AERO LOW 24 24 72-2 DR					
KEIM TS, INC.	*4C6FA532341100231	252800-A	1	BOX OPT AERO LOW 24 24 72-2 DR					
KEIM TS, INC.	*4C6FA532541100232	252800-A	1	BOX OPT AERO LOW 24 24 72-2 DR					
KEIM TS, INC.	*4C6FA532741100233	252800-A	1	BOX OPT AERO LOW 24 24 72-2 DR					
KEIM TS, INC.	*4C6FA532941100234	252800-A	1	BOX OPT AERO LOW 24 24 72-2 DR					
KEIM TS, INC.	*4C6FA532041100235	252800-A	1	BOX OPT AERO LOW 24 24 72-2 DR					
KEIM TS, INC.	*4C6FA532241100236	252800-A	1	BOX OPT AERO LOW 24 24 72-2 DR					
KEIM TS, INC.	*4C6FA532441100237	252800-A	1	BOX OPT AERO LOW 24 24 72-2 DR					
KEIM TS, INC.	*4C6FA532641100238	252800-A	1	BOX OPT AERO LOW 24 24 72-2 DR					
KEIM TS, INC.	*4C6FA532841100239	252800-A	1	BOX OPT AERO LOW 24 24 72-2 DR					
KEIM TS, INC.	*4C6FA532341020416	252800-A	1	BOX OPT AERO LOW 24 24 72-2 DR					
KEIM TS, INC.	*4C6FA532541010417	252800-A	1	BOX OPT AERO LOW 24 24 72-2 DR					
KEIM TS, INC.	*4C6FA532741010418	252800-A	1	BOX OPT AERO LOW 24 24 72-2 DR					
KEIM TS, INC.	*4C6FA532941010419	252800-A	1	BOX OPT AERO LOW 24 24 72-2 DR					
KEIM TS, INC.	*4C6FA532541010420	252800-A	1	BOX OPT AERO LOW 24 24 72-2 DR					
KEIM TS, INC.	*4C6FA532151030004	252800-A	1	BOX OPT AERO LOW 24 24 72-2 DR					
KEIM TS, INC.	*4C6FA532351030005	252800-A	1	BOX OPT AERO LOW 24 24 72-2 DR					
KEIM TS, INC.	*4C6FA532551030006	252800-A	1	BOX OPT AERO LOW 24 24 72-2 DR					
KEIM TS, INC.	*4C6FA532751030007	252800-A	1	BOX OPT AERO LOW 24 24 72-2 DR					
KEIM TS, INC.	*4C6FA532951030008	252800-A	1	BOX OPT AERO LOW 24 24 72-2 DR					
KEIM TS, INC.	*4C6FA532651040009	252800-A	1	BOX OPT AERO LOW 24 24 72-2 DR					
KEIM TS, INC.	*4C6FA532251040010	252800-A	1	BOX OPT AERO LOW 24 24 72-2 DR					
KEIM TS, INC.	*4C6FA532451040011	252800-A	1	BOX OPT AERO LOW 24 24 72-2 DR					
KEIM TS, INC.	*4C6FA532651040012	252800-A	1	BOX OPT AERO LOW 24 24 72-2 DR					
KEIM TS, INC.	*4C6FA532851040013	252800-A	1	BOX OPT AERO LOW 24 24 72-2 DR					
KEIM TS, INC.	*4C6FA532X51040014	252800-A	1	BOX OPT AERO LOW 24 24 72-2 DR					
KEIM TS, INC.	*4C6FA532151040015	252800-A	1	BOX OPT AERO LOW 24 24 72-2 DR					
KEIM TS, INC.	*4C6FA532351040016	252800-A	1	BOX OPT AERO LOW 24 24 72-2 DR					
KEIM TS, INC.	*4C6FA532551040017	252800-A	1	BOX OPT AERO LOW 24 24 72-2 DR					
KEIM TS, INC.	*4C6FA532751040018	252800-A	1	BOX OPT AERO LOW 24 24 72-2 DR					
KEIM TS, INC.	*4C6FA532951040019	252800-A	1	BOX OPT AERO LOW 24 24 72-2 DR					
KEIM TS, INC.	*4C6FA532551040020	252800-A	1	BOX OPT AERO LOW 24 24 72-2 DR					
KEIM TS, INC.	*4C6FA532751040021	252800-A	1	BOX OPT AERO LOW 24 24 72-2 DR					
KEIM TS, INC.	*4C6FA532951040022	252800-A	1	BOX OPT AERO LOW 24 24 72-2 DR					
KEIM TS, INC.	*4C6FA532051040023	252800-A	1	BOX OPT AERO LOW 24 24 72-2 DR					
KEIM TS, INC.	*4C6FA532851050024	252800-A	1	BOX OPT AERO LOW 24 24 72-2 DR					
KEIM TS, INC.	*4C6FA532X51050025	252800-A	1	BOX OPT AERO LOW 24 24 72-2 DR					
KEIM TS, INC.	*4C6FA532151050026	252800-A	1	BOX OPT AERO LOW 24 24 72-2 DR					
KEIM TS, INC.	*4C6FA532351050027	252800-A	1	BOX OPT AERO LOW 24 24 72-2 DR					
KEIM TS, INC.	*4C6FA532551050028	252800-A	1	BOX OPT AERO LOW 24 24 72-2 DR					
KEIM TS, INC.	*4C6FA532751050029	252800-A	1	BOX OPT AERO LOW 24 24 72-2 DR					
KEIM TS, INC.	*4C6FA532351050030	252800-A	1	BOX OPT AERO LOW 24 24 72-2 DR					
KEIM TS, INC.	*4C6FA532551050031	252800-A	1	BOX OPT AERO LOW 24 24 72-2 DR					
KEIM TS, INC.	*4C6FA532751050032	252800-A	1	BOX OPT AERO LOW 24 24 72-2 DR					
KEIM TS, INC.	*4C6FA532951050033	252800-A	1	BOX OPT AERO LOW 24 24 72-2 DR					
KEIM TS, INC.	*4C6FA532051050034	252800-A	1	BOX OPT AERO LOW 24 24 72-2 DR					
KEIM TS, INC.	*4C6FA532251050035	252800-A	1	BOX OPT AERO LOW 24 24 72-2 DR					
KEIM TS, INC.	*4C6FA532451050036	252800-A	1	BOX OPT AERO LOW 24 24 72-2 DR					
KEIM TS, INC.	*4C6FA532651050037	252800-A	1	BOX OPT AERO LOW 24 24 72-2 DR					
KEIM TS, INC.	*4C6FA532851050038	252800-A	1	BOX OPT AERO LOW 24 24 72-2 DR					
KEIM TS, INC.	*4C6FA532251030089	252800-A	1	BOX OPT AERO LOW 24 24 72-2 DR					
KEIM TS, INC.	*4C6FA532951030090	252800-A	1	BOX OPT AERO LOW 24 24 72-2 DR					
KEIM TS, INC.	*4C6FA532051030091	252800-A	1	BOX OPT AERO LOW 24 24 72-2 DR					

Dealer	Serial #	Toolbox Part #	Toolbox Qty	Toolbox Description	Customer Name	Address	City	State	Zip
KEIM TS, INC.	*4C6FA532251030092	252800-A	1	BOX OPT AERO LOW 24 24 72-2 DR					
KEIM TS, INC.	*4C6FA532451030093	252800-A	1	BOX OPT AERO LOW 24 24 72-2 DR					
KEIM TS, INC.	*4C6FA532351030117	252800-A	1	BOX OPT AERO LOW 24 24 72-2 DR					
KEIM TS, INC.	*4C6FA532551030118	252800-A	1	BOX OPT AERO LOW 24 24 72-2 DR					
KEIM TS, INC.	*4C6FA532751030119	252800-A	1	BOX OPT AERO LOW 24 24 72-2 DR					
KEIM TS, INC.	*4C6FA532351030120	252800-A	1	BOX OPT AERO LOW 24 24 72-2 DR					
KEIM TS, INC.	*4C6FA532551030121	252800-A	1	BOX OPT AERO LOW 24 24 72-2 DR					
KEIM TS, INC.	*4C6FA532X51070310	252800-A	1	BOX OPT AERO LOW 24 24 72-2 DR					
KEIM TS, INC.	*4C6FA532151070311	252800-A	1	BOX OPT AERO LOW 24 24 72-2 DR					
KEIM TS, INC.	*4C6FA532951080312	252800-A	1	BOX OPT AERO LOW 24 24 72-2 DR					
KEIM TS, INC.	*4C6FA532051080313	252800-A	1	BOX OPT AERO LOW 24 24 72-2 DR					
KEIM TS, INC.	*4C6FA532251080314	252800-A	1	BOX OPT AERO LOW 24 24 72-2 DR					
KEIM TS, INC.	*4C6FA532451080315	252800-A	1	BOX OPT AERO LOW 24 24 72-2 DR					
KEIM TS, INC.	*4C6FA532651080316	252800-A	1	BOX OPT AERO LOW 24 24 72-2 DR					
KEIM TS, INC.	*4C6FA532351090317	252800-A	1	BOX OPT AERO LOW 24 24 72-2 DR					
KEIM TS, INC.	*4C6FA532551090318	252800-A	1	BOX OPT AERO LOW 24 24 72-2 DR					
KEIM TS, INC.	*4C6FA532751090319	252800-A	1	BOX OPT AERO LOW 24 24 72-2 DR					
KEIM TS, INC.	*4C6FA532051100320	252800-A	1	BOX OPT AERO LOW 24 24 72-2 DR					
KEIM TS, INC.	*4C6FA532251100321	252800-A	1	BOX OPT AERO LOW 24 24 72-2 DR					
KEIM TS, INC.	*4C6FA532451100322	252800-A	1	BOX OPT AERO LOW 24 24 72-2 DR					
KEIM TS, INC.	*4C6FA532651100323	252800-A	1	BOX OPT AERO LOW 24 24 72-2 DR					
KEIM TS, INC.	*4C6FA532851100324	252800-A	1	BOX OPT AERO LOW 24 24 72-2 DR					
KEIM TS, INC.	*4C6FA532551110325	252800-A	1	BOX OPT AERO LOW 24 24 72-2 DR					
KEIM TS, INC.	*4C6FA532751110326	252800-A	1	BOX OPT AERO LOW 24 24 72-2 DR					
KEIM TS, INC.	*4C6FA532951110327	252800-A	1	BOX OPT AERO LOW 24 24 72-2 DR					
KEIM TS, INC.	*4C6FA532051110328	252800-A	1	BOX OPT AERO LOW 24 24 72-2 DR					
KEIM TS, INC.	*4C6FA532251110329	252800-A	1	BOX OPT AERO LOW 24 24 72-2 DR					
LELAND TRAILER & EQUIP CO	*4C6FC482141030001	253027-H	2	BOX-OPT-HIGHWAY-LOW 24X24X60 2D	POWER TRANSPORT	6422 E. MALLON	SPOKANE	WA	99212
LELAND TRAILER & EQUIP CO	*4C6FC482341030002	253027-H	2	BOX-OPT-HIGHWAY-LOW 24X24X60 2D	MIKKEY RADCLIFF	925 CEDAR CREEK ROAD	PLAINS	MT	59859
LELAND TRAILER & EQUIP CO	*4C6FC482241050161	253037	2	TOOLBX OPT-CT LOW 24X24X60-2DR	POWER TRANSPORT	6422 E. MALLON	SPOKANE	WA	99212
LELAND TRAILER & EQUIP CO	*4C6DC482941070169	253067	2	TOOLBOX MNT OPT LOW 60" DD	PAT AHRENS	4595 W. REEVES STREET	COEUR D'ALENE	ID	83814
LELAND TRAILER & EQUIP CO	*4C6FC482341080205	253037-A	2	TOOLBX OP-AERO CT LW 242460-2D	POWER TRANSPORT/TIM FANCY	7915 E. BUCKEYE	SPOKANE	WA	99212
LELAND TRAILER & EQUIP CO	*4C6FA482841080206	253027	2	TOOLBOX OPT-AT LW 24X24X60-2DR	LARRY DUBAY	PO BOX 193	CHATTAROY	WA	99003
LELAND TRAILER & EQUIP CO	*4C6DC482741090212	253036	2	TOOLBX OPT-DDCT LW 24X18X60-2D	RICH WALKER	1857 N. IRVING	FREMONT	NE	68025
LELAND TRAILER & EQUIP CO	*4C6DC482741090226	253067	2	TOOLBOX MNT OPT LOW 60" DD	D&K TRANSPORTATION	12903 E. SINTO	SPOKANE	WA	99216
LELAND TRAILER & EQUIP CO	*4C6DC482151030069	253067	2	TOOLBOX MNT OPT LOW 60" DD	DANIEL J. HENRY	720 S. PARK ROAD	ROSALIA	WA	99170
LELAND TRAILER & EQUIP CO	*4C6DC482851030070	253067	2	TOOLBOX MNT OPT LOW 60" DD	INTERNATIONAL TUMBLE STONE, INC.	PO BOX 653	HAYDEN	ID	83835
LELAND TRAILER & EQUIP CO	*4C6DC482X51030071	253067	2	TOOLBOX MNT OPT LOW 60" DD	POWER TRANSPORT	6422 E. MALLON	SPOKANE	WA	99212
LELAND TRAILER & EQUIP CO	*4C6FC482551080238	253037	2	TOOLBX OPT-CT LOW 24X24X60-2DR	SCOTT BROWN	208 7TH STREET	DAVENPORT	WA	99122
LELAND TRAILER & EQUIP CO	*4C6FC482751080239	253037	2	TOOLBX OPT-CT LOW 24X24X60-2DR	DAKOTA CREEK INDUSTRIES, INC.	PO BOX 218	ANACORTES	WA	98221
LELAND TRAILER & EQUIP CO	*4C6DC482351110392	253067	2	TOOLBOX MNT OPT LOW 60" DD	JIM BOS	5056 STAGECOACH TRAIL ROAD	MANHATTAN	MT	
LELAND TRAILER & EQUIP CO	*4C6FC482451110393	253037	2	TOOLBX OPT-CT LOW 24X24X60-2DR	VYACHESLAU PRACH	12909 N. HOGAN LANE	SPOKANE	WA	99208
LELAND TRAILER & EQUIP CO	*4C6DC482251120394	253067	2	TOOLBOX MNT OPT LOW 60" DD	ANS TRANSPORT	PO BOX 13007	SPOKANE	WA	99213
LELAND TRAILER & EQUIP CO	*4C6FC482351120395	253037	2	TOOLBX OPT-CT LOW 24X24X60-2DR	DENIS GRAY TRUCKING, INC.	PO BOX 1630	SUMNER	WA	98390
LELAND TRAILER & EQUIP CO	*4C6FC482651110430	253037	2	TOOLBX OPT-CT LOW 24X24X60-2DR	ANDREY PEGANOU	3213 EAST 35TH AVE	SPOKANE	WA	99223
LELAND TRAILER & EQUIP CO	*4C6FC482351120431	253037	2	TOOLBX OPT-CT LOW 24X24X60-2DR	BRUCE NICKERSON	4711 S. FARR	SPOKANE	WA	99206
LELAND TRAILER & EQUIP CO	*4C6DC512951080461	253036	2	TOOLBX OPT-DDCT LW 24X18X60-2D	BERNIE BOS	20215 64TH AVE EAST	SPANAWAY	WA	98387
LELAND TRAILER & EQUIP CO	*4C6DC522551110568	253036	4	TOOLBX OPT-DDCT LW 24X18X60-2D	BOB ROGERS	350 B AENEAS VALLEY ROAD	TONASKET	WA	98855
LELAND TRAILER & EQUIP CO	*4C6DC482461030004	253067	2	TOOLBOX MNT OPT LOW 60" DD	SPECIALIZED TRANSPORT	PO BOX 273	CRAIGMONT	ID	83523
LELAND TRAILER & EQUIP CO	*4C6FC482961020030	253037	2	TOOLBX OPT-CT LOW 24X24X60-2DR	CODYLAN TRUCKING	S 4711 FARR ROAD	SPOKANE	WA	99206
LELAND TRAILER & EQUIP CO	*4C6DC522261030047	253041	4	TOOLBOX OPT-DDCT 24X18X60-2DR	WILLIS ROBINSON, DBA LOST PINE TRUCKING	20619 LOST PINE LANE	SPANGLE	WA	99031
LELAND TRAILER & EQUIP CO	*4C6FC482161030048	253037	2	TOOLBX OPT-CT LOW 24X24X60-2DR	SERGEY RUDNETSKY	12118 S.E. GREINER LANE	PORTLAND	OR	97236
LELAND TRAILER & EQUIP CO	*4C6FC482361030049	253037	2	TOOLBX OPT-CT LOW 24X24X60-2DR	DEAN WHALEN	PO BOX 274	ELLENSBURG	WA	98926
LELAND TRAILER & EQUIP CO	*4C6FC482X61030050	253037	2	TOOLBX OPT-CT LOW 24X24X60-2DR	ALVIN ROTHE	11801 N. FOREST ROAD	HAYDEN	ID	83835
LELAND TRAILER & EQUIP CO	*4C6FC482161030051	253037	2	TOOLBX OPT-CT LOW 24X24X60-2DR					
LELAND TRAILER & EQUIP CO	*4C6FC482361030052	253037	2	TOOLBX OPT-CT LOW 24X24X60-2DR	ERIC NICKERSON	7405 S. HAYFORD ROAD	CHENEY	WA	99004

Dealer	Serial #	Toolbox Part #	Toolbox Qty	Toolbox Description	Customer Name	Address	City	State	Zip
LELAND TRAILER & EQUIP CO	*4C6FC482761030104	253037	2	TOOLBX OPT-CT LOW 24X24X60-2DR	WAYNE GLOVER / FLEETWAY LEASING	7405 S HAYFORD ROD	CHENEY	WA	99004
LELAND TRAILER & EQUIP CO	*4C6FC482X61050220	253037	2	TOOLBX OPT-CT LOW 24X24X60-2DR					
LELAND TRAILER & EQUIP CO	*4C6FC482161050221	253037	2	TOOLBX OPT-CT LOW 24X24X60-2DR					
LELAND TRAILER & EQUIP CO	*4C6FC482361050222	253037	2	TOOLBX OPT-CT LOW 24X24X60-2DR					
MATT RAUSCH TRUCKING, INC	*4C6DC482951020647	253041-A	2	BOX OPT-DDCT LOW 2DR 24X18X60	MATT RAUSCH TRUCKING, INC.	754 WEST 200 NORTH	WINAMAC	IN	46996
MIDWEST TRAILER SALES INC	*4C6DC482841070177	253040-A	4	BOX OPT AERO DD 241860-2DR	ROBERT BUTTRY	10127 WEST FOREST HOME AVE #5	HALES CORNERS	WI	53130
MIDWEST TRAILER SALES INC	*4C6FA482141070200	253027-A	1	BOX OPT AERO-LOW-24X24X60-2DR	STEVE VANZILE	S 3192 A LAKE SHORE ROAD	REEDSBURG	WI	53959
MIDWEST TRAILER SALES INC		253044-A	1	BOX OPT AERO 24 X 24 X 60-2DR					
MIDWEST TRAILER SALES INC	*4C6DC482X41120349	253034-A	2	BOX OPT-AERO 24X24X60-1DR	JOHNSON OF WI / DERRICK JOHNSON	24011 FLATTER AVE	TOMAH	WI	54660
MIDWEST TRAILER SALES INC	*4C6DC482X41020459	253041-A	2	BOX OPT-DDCT LOW 2DR 24X18X60	DAVE JONES				
MIDWEST TRAILER SALES INC	*4C6DC482851100456	253034-A	1	BOX OPT-AERO 24X24X60-1DR	JOHNSON OF WISCONSIN TRANSPORT CO	24011 FLATTER AVE	TOMAH	WI	54660
MIDWEST TRAILER SALES INC		254450-A	1	TLBX OPT-DD-LOW-241860-1D AERO					
MIDWEST TRAILER SALES INC	*4C6DC482X51100457	253034-A	1	BOX OPT-AERO 24X24X60-1DR	JOHNSON OF WISCONSIN TRANSPORT CO	24011 FLATTER AVE	TOMAH	WI	54660
MIDWEST TRAILER SALES INC		254450-A	1	TLBX OPT-DD-LOW-241860-1D AERO					
NICK STRIMBU INC	*4C6FC482241120340	253037-A	1	TOOLBX OP-AERO CT LW 242460-2D					
NICK STRIMBU INC	*4C6FC482041010385	253037-A	1	TOOLBX OP-AERO CT LW 242460-2D					
NICK STRIMBU INC	*4C6FC482241010386	253037-A	1	TOOLBX OP-AERO CT LW 242460-2D					
NICK STRIMBU INC	*4C6FC482441010387	253037-A	1	TOOLBX OP-AERO CT LW 242460-2D					
NICK STRIMBU INC	*4C6FC482641010388	253037-A	1	TOOLBX OP-AERO CT LW 242460-2D					
NICK STRIMBU INC	*4C6FC482841010389	253037-A	1	TOOLBX OP-AERO CT LW 242460-2D					
NICK STRIMBU INC	*4C6FC482441010390	253037-A	1	TOOLBX OP-AERO CT LW 242460-2D					
NICK STRIMBU INC	*4C6FC482641010391	253037-A	1	TOOLBX OP-AERO CT LW 242460-2D					
NICK STRIMBU INC	*4C6FC482841010392	253037-A	1	TOOLBX OP-AERO CT LW 242460-2D					
NICK STRIMBU INC	*4C6FC482X41010393	253037-A	1	TOOLBX OP-AERO CT LW 242460-2D					
NICK STRIMBU INC	*4C6FC482141010394	253037-A	1	TOOLBX OP-AERO CT LW 242460-2D					
NICK STRIMBU INC	*4C6FC482341010395	253037-A	1	TOOLBX OP-AERO CT LW 242460-2D					
NICK STRIMBU INC	*4C6FC482541010396	253037-A	1	TOOLBX OP-AERO CT LW 242460-2D					
NICK STRIMBU INC	*4C6FC482741010397	253037-A	1	TOOLBX OP-AERO CT LW 242460-2D					
NICK STRIMBU INC	*4C6FC482941010398	253037-A	1	TOOLBX OP-AERO CT LW 242460-2D					
NICK STRIMBU INC	*4C6FC482041010399	253037-A	1	TOOLBX OP-AERO CT LW 242460-2D					
NICK STRIMBU INC	*4C6FC482341010400	253037-A	1	TOOLBX OP-AERO CT LW 242460-2D					
NICK STRIMBU INC	*4C6FC482541010401	253037-A	1	TOOLBX OP-AERO CT LW 242460-2D					
NICK STRIMBU INC	*4C6FC482741010402	253037-A	1	TOOLBX OP-AERO CT LW 242460-2D					
NICK STRIMBU INC	*4C6FC482941010403	253037-A	1	TOOLBX OP-AERO CT LW 242460-2D					
NICK STRIMBU INC	*4C6FC482041010404	253037-A	1	TOOLBX OP-AERO CT LW 242460-2D					
NICK STRIMBU INC	*4C6FC482241010405	253037-A	1	TOOLBX OP-AERO CT LW 242460-2D					
NICK STRIMBU INC	*4C6FC482441010406	253037-A	1	TOOLBX OP-AERO CT LW 242460-2D					
NICK STRIMBU INC	*4C6FC482641010407	253037-A	1	TOOLBX OP-AERO CT LW 242460-2D					
NICK STRIMBU INC	*4C6FC482841010408	253037-A	1	TOOLBX OP-AERO CT LW 242460-2D					
NICK STRIMBU INC	*4C6FC482X41010409	253037-A	1	TOOLBX OP-AERO CT LW 242460-2D					
NICK STRIMBU INC	*4C6FC482641010410	253037-A	1	TOOLBX OP-AERO CT LW 242460-2D					
NICK STRIMBU INC	*4C6FC482841010411	253037-A	1	TOOLBX OP-AERO CT LW 242460-2D					
NICK STRIMBU INC	*4C6FC482X41010412	253037-A	1	TOOLBX OP-AERO CT LW 242460-2D					
NICK STRIMBU INC	*4C6FC482141010413	253037-A	1	TOOLBX OP-AERO CT LW 242460-2D					
NICK STRIMBU INC	*4C6FC482341010414	253037-A	1	TOOLBX OP-AERO CT LW 242460-2D					
NICK STRIMBU INC	*4C6FC482351120591	253037-A	1	TOOLBX OP-AERO CT LW 242460-2D					
NICK STRIMBU INC	*4C6FC482551120592	253037-A	1	TOOLBX OP-AERO CT LW 242460-2D					
NICK STRIMBU INC	*4C6FC482751120593	253037-A	1	TOOLBX OP-AERO CT LW 242460-2D					
NICK STRIMBU INC	*4C6FC482951120594	253037-A	1	TOOLBX OP-AERO CT LW 242460-2D					
NICK STRIMBU INC	*4C6FC482051120595	253037-A	1	TOOLBX OP-AERO CT LW 242460-2D					
NICK STRIMBU INC	*4C6FC482251120596	253037-A	1	TOOLBX OP-AERO CT LW 242460-2D					
NICK STRIMBU INC	*4C6FC482451120597	253037-A	1	TOOLBX OP-AERO CT LW 242460-2D					

Dealer	Serial #	Toolbox Part #	Toolbox Qty	Toolbox Description	Customer Name	Address	City	State	Zip
NICK STRIMBU INC	*4C6FC482651120598	253037-A	1	TOOLBX OP-AERO CT LW 242460-2D					
NICK STRIMBU INC	*4C6FC482851120599	253037-A	1	TOOLBX OP-AERO CT LW 242460-2D					
NICK STRIMBU INC	*4C6FC482051120600	253037-A	1	TOOLBX OP-AERO CT LW 242460-2D					
NICK STRIMBU INC	*4C6FC482051010601	253037-A	1	TOOLBX OP-AERO CT LW 242460-2D					
NICK STRIMBU INC	*4C6FC482251010602	253037-A	1	TOOLBX OP-AERO CT LW 242460-2D					
NICK STRIMBU INC	*4C6FC482451010603	253037-A	1	TOOLBX OP-AERO CT LW 242460-2D					
NICK STRIMBU INC	*4C6FC482651010604	253037-A	1	TOOLBX OP-AERO CT LW 242460-2D					
NICK STRIMBU INC	*4C6FC482851010605	253037-A	1	TOOLBX OP-AERO CT LW 242460-2D					
NICK STRIMBU INC	*4C6FC482X51010606	253037-A	1	TOOLBX OP-AERO CT LW 242460-2D					
NICK STRIMBU INC	*4C6FC482151010607	253037-A	1	TOOLBX OP-AERO CT LW 242460-2D					
NICK STRIMBU INC	*4C6FC482351010608	253037-A	1	TOOLBX OP-AERO CT LW 242460-2D					
NICK STRIMBU INC	*4C6FC482551010609	253037-A	1	TOOLBX OP-AERO CT LW 242460-2D					
NICK STRIMBU INC	*4C6FC482151010610	253037-A	1	TOOLBX OP-AERO CT LW 242460-2D					
NICK STRIMBU INC	*4C6FC482X61040139	253037-A	1	TOOLBX OP-AERO CT LW 242460-2D					
NICK STRIMBU INC	*4C6FC482661040140	253037-A	1	TOOLBX OP-AERO CT LW 242460-2D					
NICK STRIMBU INC	*4C6FC482861040141	253037-A	1	TOOLBX OP-AERO CT LW 242460-2D					
NICK STRIMBU INC	*4C6FC482X61040142	253037-A	1	TOOLBX OP-AERO CT LW 242460-2D					
NICK STRIMBU INC	*4C6FC482161040143	253037-A	1	TOOLBX OP-AERO CT LW 242460-2D					
NICK STRIMBU INC	*4C6FC482961050144	253037-A	1	TOOLBX OP-AERO CT LW 242460-2D					
NICK STRIMBU INC	*4C6FC482061050145	253037-A	1	TOOLBX OP-AERO CT LW 242460-2D					
NICK STRIMBU INC	*4C6FC482261050146	253037-A	1	TOOLBX OP-AERO CT LW 242460-2D					
NICK STRIMBU INC	*4C6FC482461050147	253037-A	1	TOOLBX OP-AERO CT LW 242460-2D					
NICK STRIMBU INC	*4C6FC482661050148	253037-A	1	TOOLBX OP-AERO CT LW 242460-2D					
NICK STRIMBU INC	*4C6FC482861050149	253037-A	1	TOOLBX OP-AERO CT LW 242460-2D					
NICK STRIMBU INC	*4C6FC482X61060150	253037-A	1	TOOLBX OP-AERO CT LW 242460-2D					
NICK STRIMBU INC	*4C6FC482161060151	253037-A	1	TOOLBX OP-AERO CT LW 242460-2D					
NICK STRIMBU INC	*4C6FC482361060152	253037-A	1	TOOLBX OP-AERO CT LW 242460-2D					
NICK STRIMBU INC	*4C6FC482561060153	253037-A	1	TOOLBX OP-AERO CT LW 242460-2D					
NORFOLK IRON & METAL	*4C6FC502641030027	253037-A	1	TOOLBX OP-AERO CT LW 242460-2D					
NORFOLK IRON & METAL		253043-A	1	BOX OPT-AERO 24X24X60-2DOOR					
NORFOLK IRON & METAL	*4C6FC502841030028	253037-A	1	TOOLBX OP-AERO CT LW 242460-2D					
NORFOLK IRON & METAL		253043-A	1	BOX OPT-AERO 24X24X60-2DOOR					
NORFOLK IRON & METAL	*4C6FC502X41030029	253037-A	1	TOOLBX OP-AERO CT LW 242460-2D					
NORFOLK IRON & METAL		253043-A	1	BOX OPT-AERO 24X24X60-2DOOR					
NORFOLK IRON & METAL	*4C6FC502641030030	253037-A	1	TOOLBX OP-AERO CT LW 242460-2D					
NORFOLK IRON & METAL		253043-A	1	BOX OPT-AERO 24X24X60-2DOOR					
NORFOLK IRON & METAL	*4C6FC502841030031	253037-A	1	TOOLBX OP-AERO CT LW 242460-2D					
NORFOLK IRON & METAL		253043-A	1	BOX OPT-AERO 24X24X60-2DOOR					
NORFOLK IRON & METAL	*4C6FC502X41030032	253037-A	1	TOOLBX OP-AERO CT LW 242460-2D					
NORFOLK IRON & METAL		253043-A	1	BOX OPT-AERO 24X24X60-2DOOR					
NORFOLK IRON & METAL	*4C6FC502141030033	253037-A	1	TOOLBX OP-AERO CT LW 242460-2D					
NORFOLK IRON & METAL		253043-A	1	BOX OPT-AERO 24X24X60-2DOOR					
NORFOLK IRON & METAL	*4C6FC502341030034	253037-A	1	TOOLBX OP-AERO CT LW 242460-2D					
NORFOLK IRON & METAL		253043-A	1	BOX OPT-AERO 24X24X60-2DOOR					
NORFOLK IRON & METAL	*4C6FC502541030035	253037-A	1	TOOLBX OP-AERO CT LW 242460-2D					
NORFOLK IRON & METAL		253043-A	1	BOX OPT-AERO 24X24X60-2DOOR					
NORFOLK IRON & METAL	*4C6FC502741030036	253037-A	1	TOOLBX OP-AERO CT LW 242460-2D					
NORFOLK IRON & METAL		253043-A	1	BOX OPT-AERO 24X24X60-2DOOR					
NORFOLK IRON & METAL	*4C6FC502841040039	253037-A	1	TOOLBX OP-AERO CT LW 242460-2D					
NORFOLK IRON & METAL		253043-A	1	BOX OPT-AERO 24X24X60-2DOOR					
NORFOLK IRON & METAL	*4C6FC502441040040	253037-A	1	TOOLBX OP-AERO CT LW 242460-2D					
NORFOLK IRON & METAL		253043-A	1	BOX OPT-AERO 24X24X60-2DOOR					
NORFOLK IRON & METAL	*4C6FC502641040041	253037-A	1	TOOLBX OP-AERO CT LW 242460-2D					
NORFOLK IRON & METAL		253043-A	1	BOX OPT-AERO 24X24X60-2DOOR					
NORFOLK IRON & METAL	*4C6FC502841040042	253037-A	1	TOOLBX OP-AERO CT LW 242460-2D					
NORFOLK IRON & METAL		253043-A	1	BOX OPT-AERO 24X24X60-2DOOR					

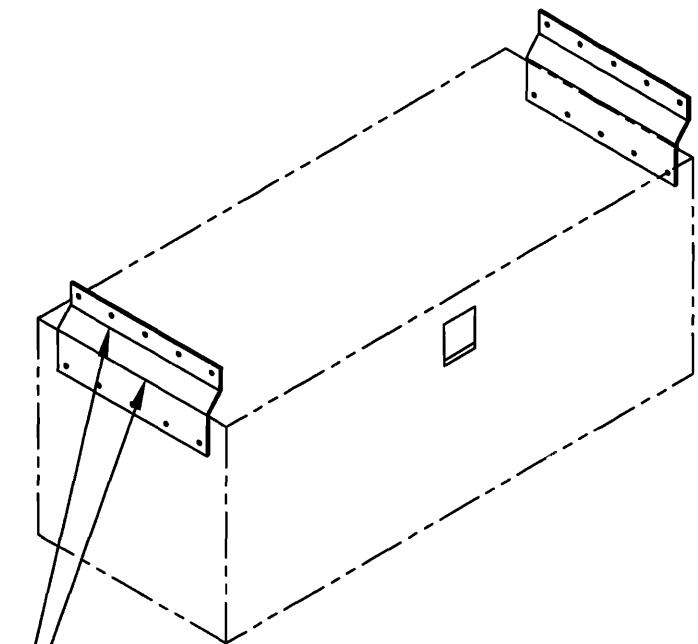
Dealer	Serial #	Toolbox Part #	Toolbox Qty	Toolbox Description	Customer Name	Address	City	State	Zip
NORFOLK IRON & METAL	*4C6FC502151080190	253037-A	1	TOOLBX OP-AERO CT LW 242460-2D					
NORFOLK IRON & METAL		253043-A	1	BOX OPT-AERO 24X24X60-2DOOR					
NORFOLK IRON & METAL	*4C6FC502951090210	253037-A	1	TOOLBX OP-AERO CT LW 242460-2D					
NORFOLK IRON & METAL		253043-A	1	BOX OPT-AERO 24X24X60-2DOOR					
NORFOLK IRON & METAL	*4C6FC502051090211	253037-A	1	TOOLBX OP-AERO CT LW 242460-2D					
NORFOLK IRON & METAL		253043-A	1	BOX OPT-AERO 24X24X60-2DOOR					
NORFOLK IRON & METAL	*4C6FC502251090212	253037-A	1	TOOLBX OP-AERO CT LW 242460-2D					
NORFOLK IRON & METAL		253043-A	1	BOX OPT-AERO 24X24X60-2DOOR					
NORFOLK IRON & METAL	*4C6FC502151090217	253037-A	1	TOOLBX OP-AERO CT LW 242460-2D					
NORFOLK IRON & METAL		253043-A	1	BOX OPT-AERO 24X24X60-2DOOR					
NORFOLK IRON & METAL	*4C6FC502351090218	253037-A	1	TOOLBX OP-AERO CT LW 242460-2D					
NORFOLK IRON & METAL		253043-A	1	BOX OPT-AERO 24X24X60-2DOOR					
NORFOLK IRON & METAL	*4C6FC502551090219	253037-A	1	TOOLBX OP-AERO CT LW 242460-2D					
NORFOLK IRON & METAL		253043-A	1	BOX OPT-AERO 24X24X60-2DOOR					
NORFOLK IRON & METAL	*4C6FC502951090224	253037-A	1	TOOLBX OP-AERO CT LW 242460-2D					
NORFOLK IRON & METAL		253043-A	1	BOX OPT-AERO 24X24X60-2DOOR					
NORFOLK IRON & METAL	*4C6FC502051090225	253037-A	1	TOOLBX OP-AERO CT LW 242460-2D					
NORFOLK IRON & METAL		253043-A	1	BOX OPT-AERO 24X24X60-2DOOR					
NORFOLK IRON & METAL	*4C6FC502251090226	253037-A	1	TOOLBX OP-AERO CT LW 242460-2D					
NORFOLK IRON & METAL		253043-A	1	BOX OPT-AERO 24X24X60-2DOOR					
NORFOLK IRON & METAL	*4C6FC502351100231	253037-A	1	TOOLBX OP-AERO CT LW 242460-2D					
NORFOLK IRON & METAL		253043-A	1	BOX OPT-AERO 24X24X60-2DOOR					
NORFOLK IRON & METAL	*4C6FC502551100232	253037-A	1	TOOLBX OP-AERO CT LW 242460-2D					
NORFOLK IRON & METAL		253043-A	1	BOX OPT-AERO 24X24X60-2DOOR					
NORFOLK IRON & METAL	*4C6FC482151080267	253037-A	1	TOOLBX OP-AERO CT LW 242460-2D					
NORFOLK IRON & METAL		253043-A	1	BOX OPT-AERO 24X24X60-2DOOR					
NORFOLK IRON & METAL	*4C6FC482351080268	253037-A	1	TOOLBX OP-AERO CT LW 242460-2D					
NORFOLK IRON & METAL		253043-A	1	BOX OPT-AERO 24X24X60-2DOOR					
NORFOLK IRON & METAL	*4C6FC482551080269	253037-A	1	TOOLBX OP-AERO CT LW 242460-2D					
NORFOLK IRON & METAL		253043-A	1	BOX OPT-AERO 24X24X60-2DOOR					
NORFOLK IRON & METAL	*4C6FC502151070372	253037-A	1	TOOLBX OP-AERO CT LW 242460-2D					
NORFOLK IRON & METAL		253043-A	1	BOX OPT-AERO 24X24X60-2DOOR					
NORFOLK IRON & METAL	*4C6FC502351070373	253037-A	1	TOOLBX OP-AERO CT LW 242460-2D					
NORFOLK IRON & METAL		253043-A	1	BOX OPT-AERO 24X24X60-2DOOR					
NORTH AMERICAN L.L.C.	*4C6FC482831010441	253037	2	TOOLBX OPT-CT LOW 24X24X60-2DR	ELI M. PALI	8245 NORTH 4600 WEST	ELWOOD	UT	84337
NORTH AMERICAN L.L.C.	*4C6FC482X31010442	253037	2	TOOLBX OPT-CT LOW 24X24X60-2DR	BRYANT & ANNA TIDWELL	150 EAST 500 SOUTH	NEPHI	UT	84648
NORTH AMERICAN L.L.C.	*4C6DC482431010444	253036	2	TOOLBX OPT-DDCT LW 24X18X60-2D	TRAMCOR CORP.	908 NORTH 2000 WEST	FARR WEST	UT	84404
NORTH AMERICAN L.L.C.	*4C6FA482531020446	253027	2	TOOLBOX OPT-AT LW 24X24X60-2DR	TOM LEAVITT	216 SOUTH 800 WEST	CEDAR CITY	UT	84720
NORTH AMERICAN L.L.C.	*4C6FA482931020451	253027	2	TOOLBOX OPT-AT LW 24X24X60-2DR	RICHARD CAMPBELL	8413 MOSPORT STREET	LAS VEGAS	NV	89123
NORTH AMERICAN L.L.C.	*4C6FC534131020453	253037	2	TOOLBX OPT-CT LOW 24X24X60-2DR	METRO STEEL	401 WEST 900 SOUTH	SALT LAKE CITY	UT	84101
NORTH AMERICAN L.L.C.	*4C6DC482131020462	254454	2	TOOLBOX OP-DD-LOW-241860-1DSS	VAL SHEVCHENKO	250 BRIDLEWOOD LANE	WOODBURN	OR	97071
NORTH AMERICAN L.L.C.	*4C6FC482041030006	253027-H	2	BOX-OPT-HIGHWAY-LOW 24X24X60 2D	DARWIN STOUT DBA S&H TRANSPORT	PO BOX 57688	SALT LAKE CITY	UT	84157
NORTH AMERICAN L.L.C.	*4C6FC482241030007	253027-H	2	BOX-OPT-HIGHWAY-LOW 24X24X60 2D	DARWIN STOUT DBA S&H TRANSPORT	PO BOX 57688	SALT LAKE CITY	UT	84157
NORTH AMERICAN L.L.C.	*4C6DC482541030008	253036	2	TOOLBX OPT-DDCT LW 24X18X60-2D					
NORTH AMERICAN L.L.C.	*4C6DC482041040025	253036	2	TOOLBX OPT-DDCT LW 24X18X60-2D	CHRISTOPHER HERREN	24497 456TH AVE	COLTON	SD	57016
NORTH AMERICAN L.L.C.	*4C6DC482241040026	253036	2	TOOLBX OPT-DDCT LW 24X18X60-2D	CHRISTOPHER HERREN	24497 456TH AVE	COLTON	SD	57016
NORTH AMERICAN L.L.C.	*4C6FC482X41040056	253037	2	TOOLBX OPT-CT LOW 24X24X60-2DR	SMOOT BROTHERS	PO BOX 385	BRIGHAM CITY	UT	84302
NORTH AMERICAN L.L.C.	*4C6FC482141040057	253037	2	TOOLBX OPT-CT LOW 24X24X60-2DR	SMOOT BROTHERS	PO BOX 385	BRIGHAM CITY	UT	84302
NORTH AMERICAN L.L.C.	*4C6FC482341040058	253037	2	TOOLBX OPT-CT LOW 24X24X60-2DR	SMOOT BROTHERS	PO BOX 385	BRIGHAM CITY	UT	84302
NORTH AMERICAN L.L.C.	*4C6FA482641040061	253027	2	TOOLBOX OPT-AT LW 24X24X60-2DR	J. CHARLES JENKINS	870 SOUTH 400 WEST	NEPHI	UT	84648
NORTH AMERICAN L.L.C.	*4C6FC534141070173	253027-H	2	BOX-OPT-HIGHWAY-LOW 24X24X60 2D	A&R TRANSPORT	PO BOX 148	BRIGHAM CITY	UT	84302
NORTH AMERICAN L.L.C.	*4C6FC534341070174	253027-H	2	BOX-OPT-HIGHWAY-LOW 24X24X60 2D	A&R TRANSPORT	PO BOX 148	BRIGHAM CITY	UT	84302
NORTH AMERICAN L.L.C.	*4C6FC482941070178	253037-A	2	TOOLBX OP-AERO CT LW 242460-2D	DAVE BROWN	PO BOX 116	CORRINE	UT	84307
NORTH AMERICAN L.L.C.		253038-A	1	BOX OPT AERO DD LOW 241848-2DR					
NORTH AMERICAN L.L.C.	*4C6DC482041080203	254454	2	TOOLBOX OP-DD-LOW-241860-1DSS	IMASH TELEUSLOV	444 INBLEWOOD LANE	WOODBURN	OR	97071
NORTH AMERICAN L.L.C.	*4C6FA482441080204	253027	2	TOOLBOX OPT-AT LW 24X24X60-2DR	DAN DUTSON	148 WEST INDUSTRIAL DRIVE, # A-2	WASHINGTON	UT	84780

Dealer	Serial #	Toolbox Part #	Toolbox Qty	Toolbox Description	Customer Name	Address	City	State	Zip
NORTH AMERICAN L.L.C.	*4C6FA482X41080207	253027	2	TOOLBOX OPT-AT LW 24X24X60-2DR	REIGNING IRRIGATION	284 SOUTH 800 WEST	SALINA	UT	84654
NORTH AMERICAN L.L.C.	*4C6FC482741090221	253027-H	2	BOX-OPT-HIGHWAY-LOW 24X24X60 2D	ERIC LANGSTON	255 SUNNY BROOK DRIVE	SALINA	UT	84654
NORTH AMERICAN L.L.C.	*4C6FC482941090222	253244	2	TOOLBOX MNT OPT LOW-60" COMBO	BJ BARNES & SONS TRUCKING, INC.	PO BOX 309	MCCAMMON	ID	83250
NORTH AMERICAN L.L.C.	*4C6FC482041090223	253244	2	TOOLBOX MNT OPT LOW-60" COMBO	BJ BARNES & SONS TRUCKING, INC.	PO BOX 309	MCCAMMON	ID	83250
NORTH AMERICAN L.L.C.	*4C6DC482641100227	253041	2	TOOLBOX OPT-DDCT 24X18X60-2DR	RALPH L GRAHAM	3268 18TH AVE SE	ALBANY	OR	97322
NORTH AMERICAN L.L.C.	*4C6DC482841100228	253036	2	TOOLBX OPT-DDCT LW 24X18X60-2D	CHRIS HERREN	24497 456TH AVE	COLTON	SD	57016
NORTH AMERICAN L.L.C.	*4C6DC482X41100229	253036	2	TOOLBX OPT-DDCT LW 24X18X60-2D	JOHN A. BERRY	7449 MYRTLE STREET	MANITO	IL	61546
NORTH AMERICAN L.L.C.	*4C6FA482941110264	253027	2	TOOLBOX OPT-AT LW 24X24X60-2DR	DANIEL S. DUTSON	148 WEST INDUSTRIAL DRIVE, # A-2	WASHINGTON	UT	84780
NORTH AMERICAN L.L.C.	*4C6DC482X41120335	253036	2	TOOLBX OPT-DDCT LW 24X18X60-2D	ROGER BURGERS	309 SOUTH MAIN AVE	COLTON	SD	57018
NORTH AMERICAN L.L.C.	*4C6DC482141120336	253036	2	TOOLBX OPT-DDCT LW 24X18X60-2D	ROCKY MOUNTAIN WELDING & FABRICATION	PO BOX 397	PLEASANT GROVE	UT	84062
NORTH AMERICAN L.L.C.	*4C6DC482341120337	253036	2	TOOLBX OPT-DDCT LW 24X18X60-2D	SCOTT W. FERGUSON	301 ASH STREET	CANISTOTA	SD	57102
NORTH AMERICAN L.L.C.	*4C6FA482141120366	253037-A	2	TOOLBX OP-AERO CT LW 242460-2D	TED PATTERSON	2275 RURAL AVENUE S.E.	SALEM	OR	97305
NORTH AMERICAN L.L.C.		254459-A	2	BOX-OPT-AERO-LOW-24X24X24-1DR					
NORTH AMERICAN L.L.C.	*4C6FC482041010368	253037	2	TOOLBX OPT-CT LOW 24X24X60-2DR	WILLIAM H GRAHAM, JR.	PO BOX 65057	BURLINGTON	VT	05406
NORTH AMERICAN L.L.C.	*4C6FC482241010369	253037	2	TOOLBX OPT-CT LOW 24X24X60-2DR	TRAMCOR CORP.	908 NORTH 2000 WEST	FARR WEST	UT	84404
NORTH AMERICAN L.L.C.	*4C6FC482941010370	253037	2	TOOLBX OPT-CT LOW 24X24X60-2DR	TRAMCOR CORP.	908 NORTH 2000 WEST	FARR WEST	UT	84404
NORTH AMERICAN L.L.C.	*4C6FA482941010374	253027-H	2	BOX-OPT-HIGHWAY-LOW 24X24X60 2D	LANCE LEE	1980 CALLIANDRA CIRCLE	ST. GEORGE	UT	84790
NORTH AMERICAN L.L.C.	*4C6FC482X51030001	253037	2	TOOLBX OPT-CT LOW 24X24X60-2DR	OSBORNE TRUCKING CO., INC.	406 PARADISE VALLEY ROAD	RIVERTON	WY	82501
NORTH AMERICAN L.L.C.	*4C6FC482151030002	253037	2	TOOLBX OPT-CT LOW 24X24X60-2DR	KARL'S DIESEL PARTS & SERVICE, INC.	750 NORTH 2000 WEST	OGDEN	UT	84404
NORTH AMERICAN L.L.C.	*4C6DC482151030072	253036	2	TOOLBX OPT-DDCT LW 24X18X60-2D	TRANSPORT LEASING	1764 SOUTH 300 WEST	SALT LAKE CITY	UT	84115
NORTH AMERICAN L.L.C.	*4C6DC482351030073	253036	2	TOOLBX OPT-DDCT LW 24X18X60-2D	DAVID K. BROWN	PO BOX 116	CORINNE	UT	84307
NORTH AMERICAN L.L.C.	*4C6DC482551030074	253036	2	TOOLBX OPT-DDCT LW 24X18X60-2D	TRANSCORP, INC.	PO BOX 6541	BOISE	ID	83702
NORTH AMERICAN L.L.C.	*4C6FC482151040075	253037	2	TOOLBX OPT-CT LOW 24X24X60-2DR	DAVE BROWN	4733 TIERRAPARTK COURT	RENO	NV	89502
NORTH AMERICAN L.L.C.	*4C6FC482351040076	253037	2	TOOLBX OPT-CT LOW 24X24X60-2DR	R.M. KORB	RR 1 BOX 162	BURR OAK	KS	66936
NORTH AMERICAN L.L.C.	*4C6FC482551040077	253027	2	TOOLBOX OPT-AT LW 24X24X60-2DR	BRADY TRANSPORT				
NORTH AMERICAN L.L.C.	*4C6FA482851030083	253027-A	2	BOX OPT AERO-LOW-24X24X60-2DR	ROMNEY BUCK	4115 WEST 2550 SOUTH	OGDEN	UT	84401
NORTH AMERICAN L.L.C.	*4C6FA482351070085	253027	2	TOOLBOX OPT-AT LW 24X24X60-2DR	DAN DUTSON	148 WEST INDUSTRIAL DRIVE, # A-2	WASHINGTON	UT	84780
NORTH AMERICAN L.L.C.	*4C6DC482051030094	253036	2	TOOLBX OPT-DDCT LW 24X18X60-2D	TUF TRANSPORT SERVICE, INC. - DAN DUTSON	148 INDUSTRIAL DRIVE, BLDG A-2	WASHINGTON	UT	84780
NORTH AMERICAN L.L.C.	*4C6DC522951040122	253036	4	TOOLBX OPT-DDCT LW 24X18X60-2D	JOSEPH WILLS	PO BOX 1017	NAPAVINE	WA	98565
NORTH AMERICAN L.L.C.	*4C6FC482851040123	253037	2	TOOLBX OPT-CT LOW 24X24X60-2DR	SMOOT ENTERPRISES, INC.	PO BOX 385	BRIGHAM CITY	UT	84302
NORTH AMERICAN L.L.C.	*4C6FC482851050148	253037	2	TOOLBX OPT-CT LOW 24X24X60-2DR	SMOOT ENTERPRISES, INC.	PO BOX 385	BRIGHAM CITY	UT	84302
NORTH AMERICAN L.L.C.	*4C6FC482X51050149	253037	2	TOOLBX OPT-CT LOW 24X24X60-2DR	SMOOT ENTERPRISES, INC.	PO BOX 385	BRIGHAM CITY	UT	84302
NORTH AMERICAN L.L.C.	*4C6FC482651050150	253037	2	TOOLBX OPT-CT LOW 24X24X60-2DR	SMOOT ENTERPRISES, INC.	PO BOX 385	BRIGHAM CITY	UT	84302
NORTH AMERICAN L.L.C.	*4C6FC482851050151	253037	2	TOOLBX OPT-CT LOW 24X24X60-2DR	SMOOT ENTERPRISES, INC.	PO BOX 385	BRIGHAM CITY	UT	84302
NORTH AMERICAN L.L.C.	*4C6FC482X51050152	253037	2	TOOLBX OPT-CT LOW 24X24X60-2DR	SMOOT ENTERPRISES, INC.	PO BOX 385	BRIGHAM CITY	UT	84302
NORTH AMERICAN L.L.C.	*4C6FC482151050153	253037	2	TOOLBX OPT-CT LOW 24X24X60-2DR	SMOOT ENTERPRISES, INC.	PO BOX 385	BRIGHAM CITY	UT	84302
NORTH AMERICAN L.L.C.	*4C6FC482951060154	253037	2	TOOLBX OPT-CT LOW 24X24X60-2DR	SMOOT ENTERPRISES, INC.	PO BOX 385	BRIGHAM CITY	UT	84302
NORTH AMERICAN L.L.C.	*4C6FC482051060155	253037	2	TOOLBX OPT-CT LOW 24X24X60-2DR	SMOOT ENTERPRISES, INC.	PO BOX 385	BRIGHAM CITY	UT	84302
NORTH AMERICAN L.L.C.	*4C6FA482451090376	253027	2	TOOLBOX OPT-AT LW 24X24X60-2DR					
NORTH AMERICAN L.L.C.	*4C6FA482651090377	253027	2	TOOLBOX OPT-AT LW 24X24X60-2DR					
NORTH AMERICAN L.L.C.	*4C6DC482451110384	253036	2	TOOLBX OPT-DDCT LW 24X18X60-2D					
NORTH AMERICAN L.L.C.	*4C6DC482651110385	253036	2	TOOLBX OPT-DDCT LW 24X18X60-2D					
NORTH AMERICAN L.L.C.	*4C6DC482351120386	253036	2	TOOLBX OPT-DDCT LW 24X18X60-2D	TRANSPORT LEASING	1764 SOUTH 300 WEST	SALT LAKE CITY	UT	84115
NORTH AMERICAN L.L.C.	*4C6DC482551120387	253036	2	TOOLBX OPT-DDCT LW 24X18X60-2D					
NORTH AMERICAN L.L.C.	*4C6FC482451120390	253037	2	TOOLBX OPT-CT LOW 24X24X60-2DR					
NORTH AMERICAN L.L.C.	*4C6FC482651120391	253037	2	TOOLBX OPT-CT LOW 24X24X60-2DR					
NORTH AMERICAN L.L.C.	*4C6FC482951090562	253037	2	TOOLBX OPT-CT LOW 24X24X60-2DR					
NORTH AMERICAN L.L.C.	*4C6FC482051090563	253037	2	TOOLBX OPT-CT LOW 24X24X60-2DR					
NORTH AMERICAN L.L.C.	*4C6FA482451090569	253027	2	TOOLBOX OPT-AT LW 24X24X60-2DR	DAN DUTSON	148 WEST INDUSTRIAL DRIVE, # A-2	WASHINGTON	UT	84780
NORTH AMERICAN L.L.C.	*4C6FA452351100576	253030-A	1	BOX OPT-AERO LOW 24X24X48-2DR	CREASONS				
NORTH AMERICAN L.L.C.	*4C6FC482551110581	253037	2	TOOLBX OPT-CT LOW 24X24X60-2DR	SMOOT ENTERPRISES, INC.	1995 NORTH 2800 WEST	BRIGHAM CITY	UT	84302
NORTH AMERICAN L.L.C.	*4C6FC482251120582	253037	2	TOOLBX OPT-CT LOW 24X24X60-2DR	SMOOT ENTERPRISES, INC.	1995 NORTH 2800 WEST	BRIGHAM CITY	UT	84302
NORTH AMERICAN L.L.C.	*4C6FC482451120583	253037	2	TOOLBX OPT-CT LOW 24X24X60-2DR	SMOOT ENTERPRISES, INC.	1995 NORTH 2800 WEST	BRIGHAM CITY	UT	84302
NORTH AMERICAN L.L.C.	*4C6FA482051010586	253027	2	TOOLBOX OPT-AT LW 24X24X60-2DR					
NORTH AMERICAN L.L.C.	*4C6FC482151010588	253037	2	TOOLBX OPT-CT LOW 24X24X60-2DR	SMOOT ENTERPRISES, INC.	1995 NORTH 2800 WEST	BRIGHAM CITY	UT	84302
NORTH AMERICAN L.L.C.	*4C6FC482351010589	253037	2	TOOLBX OPT-CT LOW 24X24X60-2DR	SMOOT ENTERPRISES, INC.	1995 NORTH 2800 WEST	BRIGHAM CITY	UT	84302
NORTH AMERICAN L.L.C.	*4C6FC482X51010590	253037	2	TOOLBX OPT-CT LOW 24X24X60-2DR	SMOOT ENTERPRISES, INC.	1995 NORTH 2800 WEST	BRIGHAM CITY	UT	84302
NORTH AMERICAN L.L.C.	*4C6FC452951100611	253030-A	2	BOX OPT-AERO LOW 24X24X48-2DR	WEST SIDE BUILDERS				

Dealer	Serial #	Toolbox Part #	Toolbox Qty	Toolbox Description	Customer Name	Address	City	State	Zip
NORTH AMERICAN L.L.C.	*4C6FC452051100612	253030-A	2	BOX OPT-AERO LOW 24X24X48-2DR	WEST SIDE BUILDERS				
NORTH AMERICAN L.L.C.	*4C6FC452851110613	253030-A	2	BOX OPT-AERO LOW 24X24X48-2DR	WEST SIDE BUILDERS				
NORTH AMERICAN L.L.C.	*4C6FC482851010622	253037	2	TOOLBX OPT-CT LOW 24X24X60-2DR	STEVENS FEED CO	PO BOX 4	HOLDEN	UT	84636
NORTH AMERICAN L.L.C.	*4C6FC452451010623	253037	2	TOOLBX OPT-CT LOW 24X24X60-2DR	PEDRO FAUSTO	9635 VENNS LANE	FONTANA	CA	92335
NORTH AMERICAN L.L.C.	*4C6FC452651010624	253037	2	TOOLBX OPT-CT LOW 24X24X60-2DR					
NORTH AMERICAN L.L.C.	*4C6FC452851010625	253037	2	TOOLBX OPT-CT LOW 24X24X60-2DR					
NORTH AMERICAN L.L.C.	*4C6FA482261020019	253027	2	TOOLBOX OPT-AT LW 24X24X60-2DR	BEAU CHAPMAN	3117 LARGO LANE	ESCONDIDO	CA	92026
NORTH AMERICAN L.L.C.	*4C6FC482351010639	253037	2	TOOLBX OPT-CT LOW 24X24X60-2DR	SMOOT ENTERPRISES, INC.	1995 NORTH 2800 WEST	BRIGHAM CITY	UT	84302
NORTH AMERICAN L.L.C.	*4C6FC482661030031	253037	2	TOOLBX OPT-CT LOW 24X24X60-2DR	DOYLE HATFIELD MASONRY	PO BOX 1217	SALEM	UT	84653
NORTH AMERICAN L.L.C.	*4C6FC482861030032	253037	2	TOOLBX OPT-CT LOW 24X24X60-2DR	STROM TRUCKING - RONALD STROM	PO BOX 8473	SPRING CREEK	NV	89815
NORTH AMERICAN L.L.C.	*4C6FC482X61030033	253037	2	TOOLBX OPT-CT LOW 24X24X60-2DR	AUDIE BESLER, DBA BESLER TRUCKING	4062 COUNTY ROAD 17	PEOMOT LAKE	MN	56472
NORTH AMERICAN L.L.C.	*4C6DC482261030034	253036	2	TOOLBX OPT-DDCT LW 24X18X60-2D					
NORTH AMERICAN L.L.C.	*4C6DC482461030035	253036	2	TOOLBX OPT-DDCT LW 24X18X60-2D	PABLO TURCIOS	15576 PEARMAIN STREET	ADELANTO	CA	92301
NORTH AMERICAN L.L.C.	*4C6DC482661030036	253036	2	TOOLBX OPT-DDCT LW 24X18X60-2D	STACY DAVIS - DBA DAVIS TRANSPORT	4064 ST PAUL PL.	RIVERSIDE	CA	92504
NORTH AMERICAN L.L.C.	*4C6FC483461030103	253037	1	TOOLBX OPT-CT LOW 24X24X60-2DR	B&M LEASING	PO BOX 6603	SALT LAKE CITY	UT	84115
NORTH AMERICAN L.L.C.	*4C6DC482661030117	253036	2	TOOLBX OPT-DDCT LW 24X18X60-2D					
NORTH AMERICAN L.L.C.	*4C6DC482361040118	253036	2	TOOLBX OPT-DDCT LW 24X18X60-2D					
NORTH AMERICAN L.L.C.	*4C6FA482161030119	253027	2	TOOLBOX OPT-AT LW 24X24X60-2DR	RONALD LEAVITT	1305 NORTH 2100 WEST	MONROE	UT	84254
NORTH AMERICAN L.L.C.	*4C6FC482561040159	253037	2	TOOLBX OPT-CT LOW 24X24X60-2DR	SMOOT BROTHERS	PO BOX 385	BRIGHAM	UT	84302
NORTH AMERICAN L.L.C.	*4C6FC482161040160	253037	2	TOOLBX OPT-CT LOW 24X24X60-2DR	SMOOT BROTHERS	PO BOX 385	BRIGHAM	UT	84302
NORTH AMERICAN L.L.C.	*4C6FC482361040161	253037	2	TOOLBX OPT-CT LOW 24X24X60-2DR	SMOOT BROTHERS	PO BOX 385	BRIGHAM	UT	84302
NORTH AMERICAN L.L.C.	*4C6FC482561040162	253037	2	TOOLBX OPT-CT LOW 24X24X60-2DR	SMOOT BROTHERS	PO BOX 385	BRIGHAM	UT	84302
NORTH AMERICAN L.L.C.	*4C6FC482761040163	253037	2	TOOLBX OPT-CT LOW 24X24X60-2DR	SMOOT BROTHERS	PO BOX 385	BRIGHAM	UT	84302
NORTH AMERICAN L.L.C.	*4C6FC482961040164	253037	2	TOOLBX OPT-CT LOW 24X24X60-2DR					
NORTH AMERICAN L.L.C.	*4C6DC482061040173	253036	2	TOOLBX OPT-DDCT LW 24X18X60-2D	ROBERT D. BOONE	N. 11350 NEZEDLO	WAUSAUKEE	WI	54177
NORTH AMERICAN L.L.C.	*4C6DC482261040174	253036	2	TOOLBX OPT-DDCT LW 24X18X60-2D	RICHARD CLAY LENARD	6070 DUNCAN DRIVE	LAS VEGAS	NV	89108
NORTH AMERICAN L.L.C.	*4C6DC482461040175	253036	2	TOOLBX OPT-DDCT LW 24X18X60-2D	TRUCKING WITH ATTITUDES, INC.	645 NORTH 800 WEST	BRIGHAM CITY	UT	84302
NORTH AMERICAN L.L.C.	*4C6DC532861040189	253036	2	TOOLBX OPT-DDCT LW 24X18X60-2D	TREK, INC.	PO BOX 940	GREELEY	CO	80632
NORTH AMERICAN L.L.C.	*4C6FC482061050212	253037	2	TOOLBX OPT-CT LOW 24X24X60-2DR	B&B TRUCKING	PO BOX 518	GARLAND	UT	84312
NORTH AMERICAN L.L.C.	*4C6FC452061050215	253037	2	TOOLBX OPT-CT LOW 24X24X60-2DR					
NORTH AMERICAN L.L.C.	*4C6FC452261050216	253037	2	TOOLBX OPT-CT LOW 24X24X60-2DR					
NORTH AMERICAN L.L.C.	*4C6DC482061050217	253036	2	TOOLBX OPT-DDCT LW 24X18X60-2D					
NORTH AMERICAN L.L.C.	*4C6DC482261050218	253036	2	TOOLBX OPT-DDCT LW 24X18X60-2D					
NORTH AMERICAN L.L.C.	*4C6DC482461050219	253036	2	TOOLBX OPT-DDCT LW 24X18X60-2D					
NORTH AMERICAN L.L.C.	*4C6FC452X61050223	253037	2	TOOLBX OPT-CT LOW 24X24X60-2DR					
NORTH AMERICAN L.L.C.	*4C6FC482361050236	253037	2	TOOLBX OPT-CT LOW 24X24X60-2DR					
NORTH AMERICAN L.L.C.	*4C6FC482561050237	253037	2	TOOLBX OPT-CT LOW 24X24X60-2DR					
NORTH AMERICAN L.L.C.	*4C6FC482761050238	253037	2	TOOLBX OPT-CT LOW 24X24X60-2DR					
NORTH AMERICAN L.L.C.	*4C6FC482961050239	253037	2	TOOLBX OPT-CT LOW 24X24X60-2DR					
NORTH AMERICAN L.L.C.	*4C6FC482561050240	253037	2	TOOLBX OPT-CT LOW 24X24X60-2DR					
NORTH AMERICAN L.L.C.	*4C6FC482761050241	253037	2	TOOLBX OPT-CT LOW 24X24X60-2DR					
NORTH AMERICAN L.L.C.	*4C6FC482961050242	253037	2	TOOLBX OPT-CT LOW 24X24X60-2DR					
NORTH AMERICAN L.L.C.	*4C6FC482061050243	253037	2	TOOLBX OPT-CT LOW 24X24X60-2DR					
NORTH AMERICAN L.L.C.	*4C6FC482261050244	253037	2	TOOLBX OPT-CT LOW 24X24X60-2DR					
NORTH AMERICAN L.L.C.	*4C6FA482961060257	253027	2	TOOLBOX OPT-AT LW 24X24X60-2DR					
NORTH AMERICAN L.L.C.	*4C6DC482461060314	253036	2	TOOLBX OPT-DDCT LW 24X18X60-2D					
NORTHWEST EQUIP SALES II	*4C6FA482561050275	253027-A	2	BOX OPT AERO-LOW-24X24X60-2DR					
NORTHWEST EQUIP SALES II	*4C6FA482261060276	253027-A	2	BOX OPT AERO-LOW-24X24X60-2DR					
NORTHWEST EQUIP SALES II	*4C6FA482461060277	253027-A	2	BOX OPT AERO-LOW-24X24X60-2DR	FRASIER TRANSPORT				
NORTHWEST PETERBILT CO	*4C6DC532951010620	253041-A	2	BOX OPT-DDCT LOW 2DR 24X18X60	DNRC	2405 SPURGIN ROAD	MISSOULA	MT	59804
PACIFIC TRUCK & TRAILER	*4C6FA482131010447	253027-H	2	BOX-OPT-HIGHWY-LOW 24X24X60 2D	A.T.I.	PO BOX 4705	MEDFORD	OR	97501
PACIFIC TRUCK & TRAILER	*4C6FA482331010448	253027-H	2	BOX-OPT-HIGHWY-LOW 24X24X60 2D	A.T.I.	PO BOX 4705	MEDFORD	OR	97501

Dealer	Serial #	Toolbox Part #	Toolbox Qty	Toolbox Description	Customer Name	Address	City	State	Zip
PACIFIC TRUCK & TRAILER	*4C6FA482531010449	253027-H	2	BOX-OPT-HIGHWAY-LOW 24X24X60 2D	A.T.I.	PO BOX 4705	MEDFORD	OR	97501
PACIFIC TRUCK & TRAILER	*4C6FC482441070170	253027-H	2	BOX-OPT-HIGHWAY-LOW 24X24X60 2D	KEITH MITCHELL	PO BOX 2530	WINSTON	OR	97496
PACIFIC TRUCK & TRAILER	*4C6FC482341070175	253027-H	2	BOX-OPT-HIGHWAY-LOW 24X24X60 2D	THORNBRUE TRUCKING	14290 PAYNES CREEK ROAD	RED BLUFF	CA	96080
PACIFIC TRUCK & TRAILER	*4C6FA482X41120348	253027-H	1	BOX-OPT-HIGHWAY-LOW 24X24X60 2D					
PACIFIC TRUCK & TRAILER	*4C6FC534X41120360	253027-H	1	BOX-OPT-HIGHWAY-LOW 24X24X60 2D	HELSEER BROTHERS	PO BOX 83183	PORTLAND	OR	97203
PACIFIC TRUCK & TRAILER	*4C6FC534141120361	253027-H	1	BOX-OPT-HIGHWAY-LOW 24X24X60 2D	HELSEER BROTHERS	PO BOX 83183	PORTLAND	OR	97203
PACIFIC TRUCK & TRAILER	*4C6FC534341120362	253027-H	1	BOX-OPT-HIGHWAY-LOW 24X24X60 2D	BELLINGHAM TRANSFER	1260 VANWYCK ROAD	BELLINGHAM	WA	98226
PACIFIC TRUCK & TRAILER	*4C6FC452041010441	253027-H	2	BOX-OPT-HIGHWAY-LOW 24X24X60 2D	GEORGE MASON	PO BOX 299 F	STAR CITY	AL	71667
PACIFIC TRUCK & TRAILER	*4C6FC482551060412	253028-H	1	TOOLBOX OPT-LOW 24 24 48-2D-HP	PLUNK TRANSPORTATION, INC.	5600 TABLE ROCK ROAD, PO BOX 3220	CENTRAL POINT	OR	97502
PACIFIC TRUCK & TRAILER	*4C6FC482251070413	253028-H	1	TOOLBOX OPT-LOW 24 24 48-2D-HP	PLUNK TRANSPORTATION, INC.	5600 TABLE ROCK ROAD, PO BOX 3220	CENTRAL POINT	OR	97502
PACIFIC TRUCK & TRAILER	*4C6FC482451070414	253028-H	1	TOOLBOX OPT-LOW 24 24 48-2D-HP	PLUNK TRANSPORTATION, INC.	5600 TABLE ROCK ROAD, PO BOX 3220	CENTRAL POINT	OR	97502
PACIFIC TRUCK & TRAILER	*4C6FC482151080415	253028-H	1	TOOLBOX OPT-LOW 24 24 48-2D-HP	W.P.N.E.				
PACIFIC TRUCK & TRAILER	*4C6FC482951090416	253028-H	1	TOOLBOX OPT-LOW 24 24 48-2D-HP	W.P.N.E.				
PACIFIC TRUCK & TRAILER	*4C6FC482851100417	253028-H	1	TOOLBOX OPT-LOW 24 24 48-2D-HP	PLUNK TRANSPORTATION, INC.	PO BOX 3220	CENTRAL POINT	OR	97502
PACIFIC TRUCK & TRAILER	*4C6FC482X51100418	253028-H	1	TOOLBOX OPT-LOW 24 24 48-2D-HP	PLUNK TRANSPORTATION, INC.	PO BOX 3220	CENTRAL POINT	OR	97502
PACIFIC TRUCK & TRAILER	*4C6FC482051120435	253027-H	2	BOX-OPT-HIGHWAY-LOW 24X24X60 2D					
PACIFIC TRUCK & TRAILER	*4C6FA482551120436	253027-H	2	BOX-OPT-HIGHWAY-LOW 24X24X60 2D	THOMAS BARNHART	PO BOX 39465	LAKESWOOD	WA	98439
PACIFIC TRUCK & TRAILER	*4C6FC452951120437	253027-H	2	BOX-OPT-HIGHWAY-LOW 24X24X60 2D	HENSELL MATERIALS, INC.	4475 BROADWAY	EUREKA	CA	95502
PACIFIC TRUCK & TRAILER	*4C6FC482661040171	253027-H	2	BOX-OPT-HIGHWAY-LOW 24X24X60 2D	JEFF BARNES dba J & S ENTERPRISES	19001 LOGENBERRY ST	ROCHESTER	WA	98579
PACIFIC TRUCK & TRAILER	*4C6FC482461050245	253027-H	2	BOX-OPT-HIGHWAY-LOW 24X24X60 2D					
PACIFIC TRUCK & TRAILER	*4C6FA482361040246	253027-H	2	BOX-OPT-HIGHWAY-LOW 24X24X60 2D	JAY B. NELSON	1520 N HWY 97 # 189	REDMOND	OR	97746
PACIFIC TRUCK & TRAILER	*4C6FC482X61060262	253028-H	1	TOOLBOX OPT-LOW 24 24 48-2D-HP	W.P. & E.				
PACIFIC TRUCK & TRAILER	*4C6FC482161060263	253028-H	1	TOOLBOX OPT-LOW 24 24 48-2D-HP	W.P. & E.				
PACIFIC TRUCK & TRAILER	*4C6FC482361060264	253028-H	1	TOOLBOX OPT-LOW 24 24 48-2D-HP	W.P. & E.				
PICKS PACK HAULERS INC	*4C6DC482X31010450	253040-M	1	BOX OPT-MER DDC 24X18X60-2DR					
RAIN FOR RENT - TRAILERS	*4C6DC512641040062	253033-A	2	BOX OPT AERO DD-24X18X48-2DR					
RIVER VALLEY TRUCK CENTE	*4C6DC482841060166	253040-M	1	BOX OPT-MER DDC 24X18X60-2DR					
RIVER VALLEY TRUCK CENTERS, INC.		253041-M	1	BOX OPT-MER DDC LOW/24X18X60-2D					
RIVER VALLEY TRUCK CENTE	*4C6DC482751010442	253041-A	2	BOX OPT-DDCT LOW 2DR 24X18X60					
RIVER VALLEY TRUCK CENTE	*4C6FC482661020020	253037-A	2	TOOLBX OP-AERO CT LW 242460-2D					
RMC TRANSPORTATION	*4C6FC483751050330	253036	2	TOOLBX OPT-DDCT LW 24X18X60-2D					
RMC TRANSPORTATION	*4C6FC483951050331	253036	2	TOOLBX OPT-DDCT LW 24X18X60-2D					
SAHLING KENWORTH INC	*4C6FC482241120371	253037-M	1	BOX OPT-MER CT LW 24X24X60-2DR	TORSEN, INC.	PO BOX 630	SUTTON	NE	68979
SAHLING KENWORTH INC	*4C6DC482351080455	253041-A	4	BOX OPT-DDCT LOW 2DR 24X18X60	DALE DERBY	PO BOX 1875	NAMPA	ID	83653
SAHLING KENWORTH INC	*4C6FC482751010577	253037-A	2	TOOLBX OP-AERO CT LW 242460-2D					
SAHLING KENWORTH INC	*4C6FC482451020628	253037-M	1	BOX OPT-MER CT LW 24X24X60-2DR	TORSEN, INC.	2 OWENS STREET	SUTTON	NE	68979
SUPERIOR TRAILER SALES	*4C6DC482141030037	254451	2	TOOLBOX OPT DDCT 242048SS 1DR	JEFF & LOIS KENLEY	PO BOX 148	REPUBLIC	KS	66964
SUPERIOR TRAILER SALES		254452	6	TOOLBOX OPT DDCT 242060SS 1DR					
SUPERIOR TRAILER SALES		254455	2	TOOLBOX OPT DDCT 242070SS 1DR					
SUPERIOR TRAILER SALES	*4C6DC482341030038	254451	2	TOOLBOX OPT DDCT 242048SS 1DR	NORM BERKEBILE	164 KARNS ROAD	STILLWATER	PA	17878
SUPERIOR TRAILER SALES		254452	6	TOOLBOX OPT DDCT 242060SS 1DR					
SUPERIOR TRAILER SALES		254455	2	TOOLBOX OPT DDCT 242070SS 1DR					
SUPERIOR TRAILER SALES	*4C6FC482941040114	253043-A	1	BOX OPT-AERO 24X24X60-2DOOR	TRAVIS PALM	3135 ARENA ROAD	COLORADO SPRINGS	CO	80921
SUPERIOR TRAILER SALES	*4C6DC482141040115	253041-A	2	BOX OPT-DDCT LOW 2DR 24X18X60	HL SMITH ENTERPRISES, INC.	RT 1 BOX 62	RANGER	TX	76470
SUPERIOR TRAILER SALES	*4C6DC482041060176	254453	2	TOOLBOX OPT DDCT 242070SS 2DR	JOHN FARRIS				
SUPERIOR TRAILER SALES		254458	2	TOOLBOX OPT-DDCT 181860 1DR SS					

Dealer	Serial #	Toolbox Part #	Toolbox Qty	Toolbox Description	Customer Name	Address	City	State	Zip
SUPERIOR TRAILER SALES	*4C6FA502241090215	253452-A	1	TOOLBOX OPT-18 X 18 X 48-AERO	DAVID SHERRARD	PO BOX 2455	RED OAK	TX	75154
SUPERIOR TRAILER SALES	*4C6FC482751040081	253037-A	2	TOOLBX OP-AERO CT LW 242460-2D	ROBERT BOONE	NN 11350 NEJEDLO ROAD	WAUSAUKEE	WI	54177
SUPERIOR TRAILER SALES	*4C6DC482X51040082	253041-A	2	BOX OPT-DDCT LOW 2DR 24X18X60	RODGER L. HARRISON	22461 INTERSTATE 30	BRYANT	AR	72022
SUPERIOR TRAILER SALES	*4C6FC482051110438	253037-A	2	TOOLBX OP-AERO CT LW 242460-2D	DIAMOND B LEASING, INC.	7449 MYRTLE	MANATO	IL	61546
SUPERIOR TRAILER SALES	*4C6FC482251110439	253037-A	2	TOOLBX OP-AERO CT LW 242460-2D					
SUPERIOR TRAILER SALES	*4C6DC482551120440	253041-A	2	BOX OPT-DDCT LOW 2DR 24X18X60	TODD ZANDEN	1545 PLAZA VERDE	ELPASO	TX	79912
SUPERIOR TRAILER SALES	*4C6DC482551010441	253041-A	2	BOX OPT-DDCT LOW 2DR 24X18X60					
SUPERIOR TRAILER SALES	*4C6DC482351070444	253088-A	8	TOOLBOX OPT-24X20X72-1 SS HIGH	RANDY KENLEY				
SUPERIOR TRAILER SALES	*4C6DC522451080513	254463-A	2	TOOLBOX CMB 181860 2 DR SS	FLOYD THOMASON	2209 TRUE AVE	FORT WORTH	TX	76114
SUPERIOR TRAILER SALES		254464-A	2	TOOLBOX CMB 241860 2 DR SS					
SUPERIOR TRAILER SALES	*4C6FA502851080564	253082-A	1	BOX-OP-AERO-LOW-18X18X48 1DRSS	DAVID SHERRARD				
SUPERIOR TRAILER SALES	*4C6DC522551080570	253089-A	2	TOOLBOX-OPT-24X20X72-2 SS HIGH	EAGLE FREIGHTLINERS / ANDY MARCH	3802 MISTLETOE CT	ABILENE	TX	79606
SUPERIOR TRAILER SALES	*4C6DC482461030133	253088-A	8	TOOLBOX OPT-24X20X72-1 SS HIGH	EDGAR PRICE				
SUPERIOR TRAILER SALES, I	*4C6DC532041070199	253041-M	2	BOX OPT-MER DDC LOW24X18X60-2D	CLARENCE SCHAEFER	38327 MT. PLEASANT ROAD	UNION CITY	PA	16438
SUPERIOR TRAILER SALES, I	*4C6FA482741090211	253027-A	2	BOX OPT AERO-LOW-24X24X60-2DR					
SUPERIOR TRAILER SALES, I	*4C6FA482361050274	253027-A	2	BOX OPT AERO-LOW-24X24X60-2DR					
TOPLINE TRAILER SALES	*4C6DC482751020579	253040-A	1	BOX OPT AERO DD 241860-2DR	DARKCOL INTERNATIONAL, INC	329 OAK POINT HIGHWAY	WINNIPEG	MB	r2r 1t9
TOPLINE TRAILER SALES	*4C6DC482351020580	253040-A	1	BOX OPT AERO DD 241860-2DR	DARKCOL INTERNATIONAL, INC	329 OAK POINT HIGHWAY	WINNIPEG	MB	r2r 1t9
TOPLINE TRAILER SALES	*4C6FA482251010640	253025-A	2	BOX OPT AERO LOW 24X24X60-1DR					
TOPLINE TRAILER SALES	*4C6FC482151010641	253037-A	1	TOOLBX OP-AERO CT LW 242460-2D	MURRAY KOZIE TRUCKING	450 OAK POINT HIGHWAY	WINNIPEG	MB	R2R 1V3
TOPLINE TRAILER SALES	*4C6FC482951020642	253037-A	1	TOOLBX OP-AERO CT LW 242460-2D	MURRAY KOZIE TRUCKING	450 OAK POINT HIGHWAY	WINNIPEG	MB	R2R 1V3
TOPLINE TRAILER SALES	*4C6FA482351010646	253025-A	2	BOX OPT AERO LOW 24X24X60-1DR	TOM STRUTT	BOX 244	LORETTA	MB	R0A 0Y0
TOPLINE TRAILER SALES	*4C6DC482X61030105	253040-A	1	BOX OPT AERO DD 241860-2DR	SURE SHOT EXPRESS, INC.	295 TRANSPORT ROAD	WINNIPEG	MB	R2C 2Z2
TOPLINE TRAILER SALES	*4C6DC482161030106	253040-A	1	BOX OPT AERO DD 241860-2DR					
TOPLINE TRAILER SALES	*4C6DC482661030134	253041-A	1	BOX OPT-DDCT LOW 2DR 24X18X60	MURRAY KOZIE TRUCKING	450 OAK POINT HIGHWAY	WINNIPEG	MB	R2R 1V3
TOPLINE TRAILER SALES	*4C6DC482861030135	253041-A	1	BOX OPT-DDCT LOW 2DR 24X18X60					
TOPLINE TRAILER SALES	*4C6DC482161040165	253041-A	1	BOX OPT-DDCT LOW 2DR 24X18X60					
TOPLINE TRAILER SALES	*4C6DC482361040166	253041-A	1	BOX OPT-DDCT LOW 2DR 24X18X60					
TOPLINE TRAILER SALES	*4C6DC482861050210	253041-A	1	BOX OPT-DDCT LOW 2DR 24X18X60					
TOPLINE TRAILER SALES	*4C6DC482X61050211	253041-A	1	BOX OPT-DDCT LOW 2DR 24X18X60					
TOPLINE TRAILER SALES	*4C6DC482361060272	253041-A	1	BOX OPT-DDCT LOW 2DR 24X18X60					
TOPLINE TRAILER SALES	*4C6DC482561060273	253041-A	1	BOX OPT-DDCT LOW 2DR 24X18X60					
	548		882						



POTENTIAL CRACKS IN BEND AREA

REINKE PART NO.

Copyright, 2005 , Reinke Manufacturing Co., Inc

REF	R. PART NO.	REQ'D	DESCRIPTION
LIST OF MATERIALS			

TOLERANCES U.S.		REINKE MANUFACTURING CO., INC. BEHLER, NEBRASKA 68340	
LINEAR $\pm 1/32$ - $X \leq 60"$ $\pm 1/16$ - $X > 60"$ $\pm .005$ - .XXX ANG = $\pm 1/2"$		Title: TOOLBOX MOUNT INSTALLATION	
DIAMETERS $+ .005$ $- .010$ DIA's = $X \leq \frac{3}{8}"$ $+ .005$ $- .015$ DIA's = $\frac{3}{8}" < X < 1"$		Dr. By: MRV	Tr. By:
		Ck. By:	App. By:
		Scale: N/A	Date: 7/14/05
Reinke Part No. -----			SHEET of REVISION -

ATTACHMENT 3A