



MITSUBISHI FUSO

TRUCK OF AMERICA, Inc.

2015 Center Square Road
Logan Twp., NJ 08085
(856) 467-4500
(856) 467-4695 Fax

July 5, 2005

George Person
Chief, Recall Management Division
Office of Defects Investigation, Safety Assurance
U.S. Department of Transportation
National Highway Traffic Safety Administration, Room 5319
400 Seventh Street, S.W.
Washington, DC 20590

**Subject: Safety Recall Notification on the AISIN Automatic Transmission Shift Linkage;
Model Years: 1999 – 2004; Models: FE639, FE640, FE649, FG639, FH210
MFTA Safety Recall – C0028810 AISIN A/T Shift Linkage
NHTSA Safety Recall – 05V-304**

Dear Mr. Person:

This is an update to the Safety Recall Notification sent on June 28, 2004. The updates are in bold and underlined text. This update also includes the "Summary Report of All Warranty Claims, Field or Service Reports, and Other Information, with their Date of Receipt" requested in item six (6) below.

Pursuant to 49 CFR, Part 573, Mitsubishi Fuso Truck of America, Inc. (MFTA) herewith files a defect and noncompliance information report concerning the AISIN automatic transmission (A/T) shift linkage on certain 1999 through 2004 model year FE639, FE640, FE649, FG639 and FH210 Mitsubishi Fuso trucks for all states. The contents of this report are arranged to follow the sequence set forth in Section 573.5.

The Dealer Recall Information Bulletin and a sample of the letter that will be sent to each Mitsubishi Fuso truck owner affected by this recall will be forwarded to you upon completion.

Sincerely,

A handwritten signature in cursive script that reads "William P. Mohr".

William P. Mohr
Director, Service Operations.
Mitsubishi Fuso Truck of America, Inc.
Phone: (856) 467-3917 Fax: (856) 467-4665

Enclosure: As stated

Defect and Noncompliance Information Report

1. The manufacturer's name:

Mitsubishi Fuso Truck & Bus Corporation (MFTBC), Japan

2. Identification of the vehicles or items of motor vehicle equipment potentially containing the defect or noncompliance:

Models	Model Year Range
FE639	1999 – 2004
FE640	2001 – 2004
FE649	1999 – 2004
FG639	1999 – 2004
FH210	2003 – 2004

- a) Inclusive dates of manufacture:

Models	Vehicle Production
FE639	February 27, 1998 through December 27, 2003
FE640	June 15, 2000 through January 12, 2004
FE649	February 27, 1998 through January 5, 2004
FG639	April 27, 2000 through January 20, 2004
FH210	January 30, 2002 through January 9, 2004

- b) GVWR or class of truck:

Models	GVWR	Class
FE639	11,600 lbs.	3
	13,500 lbs.	3
FE640	14,500 lbs.	4
FE649	14,500 lbs.	4
FG639	12,000 lbs.	3
FH210	17,900 lbs.	5

- c) Names of the components:

A/T Shift Control Lever Assembly

3. The total number of vehicles or items of equipment potentially containing the defect or noncompliance, and where available, the number of vehicles or items of equipment in each group identified pursuant to paragraph (c) (2) of the section:

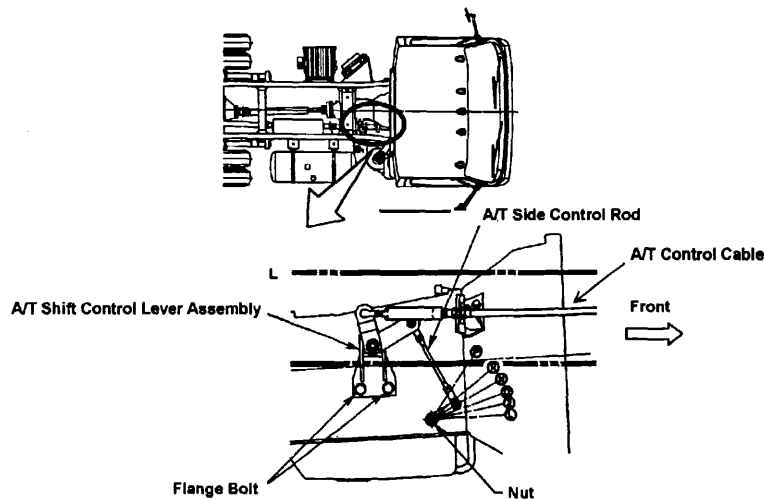
Models	# of Vehicles – U.S.	# of Vehicles – Canada	
'99 – '04 FE639	5,880	109	
'01 – '04 FE640	3,796	90	
'99 – '04 FE649	4,445	26	
'99 – '04 FG639	242	38	
'03 – '04 FH210	1,186	83	
Totals	15,549	346	15,895

4. The percentage of vehicles or items of equipment specified pursuant to paragraph (c) (2) of the section estimated to actually contain the defect or noncompliance:

Unknown

5. A description of the defect or noncompliance, including both a brief summary and a detailed description, with graphic aids as necessary, of the nature and physical location (if applicable) of the defect or noncompliance:

On affected vehicles, rust build-up on the A/T shift linkage, due to an insufficient corrosion inhibiting ability, may cause the linkage to bind. Rust build-up is accelerated in geographic locations that are situated near large bodies of salt water, or in regions with heavy snow/ice melting compound usage in winter months. The effort required to operate the A/T shift control lever may increase if the linkage binds due to rust build-up. **In the worst case, the shift control lever may become inoperative, or the physical shift lever position on the shift lever housing gear indicator may not match the actual gear selection at the transmission. Please note that the electronic gear selector on the instrument panel is unaffected by this failure and will continue to indicate the actual gear selected at the transmission.**



6. In the case of defect, a chronology of all principal events that were the basis for the determination that the defect related to motor vehicle safety, including a summary of all warranty claims, field or service reports, and other information, with their date of receipt:

On June 22, 2005, MFTBC notified MFTA that they had determined that a defect related to motor vehicle safety existed and instructed MFTA to perform a safety recall.

After deliberate study of failed sample parts, MFTBC determined that the cause of failure was an insufficient corrosion inhibiting ability. This condition could allow rust to build up on the A/T shift linkage, causing the linkage to bind, resulting in an increase the effort required to operate the A/T shift control lever. **In the worst case, the shift control lever may become inoperative, or the physical shift lever position on the shift lever housing gear indicator may not match the actual gear selection at the transmission. Please note that the electronic gear selector on the instrument panel is unaffected by this failure and will continue to indicate the actual gear selected at the transmission.**

Between September 1, 1998 and May 25, 2005, MFTA received two hundred twenty eight (228) Warranty Service Claims (WSC) and twenty six (26) Product Quality and Field Reports (PQR/FR) relating to affected vehicles. The summary report of all warranty claims, field or service reports, and other information MFTA has received, with their date of receipt is attached. Copies of the WSC's and PQR's are available upon request. MFTA has not received any notice of accident or injury relating to the subject components.

7. In the case of noncompliance, the test results or other data on the basis of which the manufacturer determined the existence of the noncompliance:

Not applicable.

8. A description of the manufacturer's program for remedying the defect or noncompliance:

Install a modified A/T shift control lever assembly.

MFTA will instruct its Dealer body to initiate a safety recall campaign as soon as the parts and notification become available.

Following is MFTA's proposed campaign schedule:

Estimated parts arrival date: 8/29/05

Estimated dealer notification: 8/30/05


Estimated start of customer notification: 9/7/05

9. Furnish a final copy of all notices, bulletins and other communications that relate directly to the defect or noncompliance and which are sent to more than one manufacturer, distributor, dealer or purchaser:

MFTA will provide NHTSA with a final copy of all related documents when they have been completed.

If you have any questions or concerns, please do not hesitate to contact me at the number listed below.

Sincerely,



William P. Mohr
Director, Service Operations
Mitsubishi Fuso Truck of America, Inc.
Phone: (856) 467-3917 Fax: (856) 467-4665

- c: K. Idota (MFTBC)
Y. Sato (MFTBC)
N. Nakajima (MFTBC)

Summary Report of All Warranty Claims, Field or Service Reports,
and Other Information, with their Date of Receipt

Warranty Service Claims (WSC)

<u>Date of Receipt</u>	<u>MFTA WSC Number</u>	<u>Date of Receipt</u>	<u>MFTA WSC Number</u>
		7/17/01	D1057L261
9/1/98	D2033H416	7/27/01	D1156L045
12/1/98	D1122H289	8/14/01	D2066L125
12/11/98	D1169H496	9/14/01	D1087L047
12/29/98	D3014HA01	9/15/01	D1014L054
1/18/99	D9160J014	11/8/01	D1142L135
2/25/99	D9160J049	12/6/01	D1142L153
3/30/99	D1109J027	12/18/01	D2066L209
3/30/99	D3034J051	12/20/01	D1149L128
5/10/99	R8015J019	1/3/02	D3024M001
6/23/99	D3031J092	1/8/02	D2093M003
8/2/99	D1159J021	1/8/02	D2066M011
8/12/99	D3029J029	1/18/02	D3046M009
8/17/99	D1107J154	2/5/02	D4009M002
9/21/99	D1136J190	2/5/02	D4009M003
11/11/99	D3041J138	2/14/02	D3039M028
11/30/99	D1030J262	2/27/02	D2066M031
12/22/99	D1119J210	3/7/02	D2082M041
1/21/00	D1136K009	4/3/02	D1006M029
3/2/00	D3051K012	4/11/02	D4003M002
4/6/00	D1119K108	4/19/02	D2020M069
4/11/00	D1006K086	6/6/02	D1193M005
5/4/00	D1151K066	6/21/02	D2085M083
5/22/00	D1057K213	6/25/02	D3061M129
6/28/00	D3040K050	7/12/02	D1030M110
7/12/00	D1011K312	8/2/02	D1049M097
7/13/00	D3052K060	8/2/02	D1049M098
7/27/00	D1011K329	9/13/02	D2066M139
8/7/00	D3028K110	9/17/02	D1110M044
8/29/00	D1102K163	10/11/02	D1012M067
8/31/00	D2088K006	11/2/02	D1029M571
9/11/00	R8018K039	11/18/02	D2055M040
9/18/00	D2057K058	12/3/02	D1008M098
10/19/00	D1159K074	12/31/02	D1025M208
10/31/00	D1119K291	1/13/03	D1153N002
11/3/00	FF101K121	1/13/03	D1189N004
11/17/00	D1001K141	1/16/03	D2070N004
12/11/00	D1159K087	1/21/03	D9160N009
1/2/01	D1079L005	1/27/03	D9190N004
2/6/01	D1029L063	1/29/03	D3039N021
2/6/01	D2003L017	1/31/03	D1006N022
2/6/01	D1178L020	2/10/03	D4012N034
2/15/01	D1155L018	2/12/03	D2066N026
3/15/01	D1185L027	2/14/03	D3031N033
3/15/01	D1185L026	2/16/03	D1107N022
3/26/01	D9179L003	2/22/03	D9146N015
4/2/01	D2020L062	2/25/03	D1190N020
4/4/01	D2087L023	2/26/03	D1185N021
4/16/01	D1012L038	2/26/03	D1165N019
4/23/01	D1161L015	2/27/03	D4009N034
4/25/01	D1014L026	2/27/03	D4009N035
5/3/01	D2076L023	3/5/03	D1057N085
5/17/01	D3026L025	<u>Date of Receipt</u>	<u>MFTA WSC Number</u>
		3/17/03	D1164N045

3/20/03	D1149N039	2/18/04	D1102P068
3/22/03	D4009N064	2/18/04	D3065P024
3/26/03	D2100N032	2/27/04	D9190P023
4/4/03	D1195N001	3/12/04	D2087P019
4/5/03	D3063N031	3/15/04	D4012P077
4/7/03	D1189N039	3/15/04	D1025P067
4/8/03	D2063N065	3/23/04	D1155P024
4/10/03	D2100N037	3/23/04	D9190P041
4/11/03	D1189N043	3/25/04	D1047P024
4/16/03	D3060N056	3/26/04	D1023P110
4/22/03	D1056N112	3/26/04	D4009P314
4/24/03	D2055N026	4/1/04	D1079P037
4/26/03	D2089N062	4/2/04	D1164P051
5/1/03	D1057N163	4/5/04	D1029P283
5/5/03	D1145N034	4/5/04	D1102P165
5/7/03	D1165N036	4/9/04	D1023P127
5/21/03	D2062N050	4/14/04	D2088P034
5/22/03	D1029N254	4/20/04	D4009P374
5/23/03	D1185N065	5/4/04	D1180P151
5/28/03	D1109N035	5/5/04	D1092P145
5/29/03	D1102N278	5/6/04	D2038P202
6/5/03	D2088N046	5/18/04	D1057P319
6/6/03	D2060N012	6/16/04	D3060P090
6/9/03	D2020N086	6/18/04	D1008P115
6/17/03	D1102N294	6/18/04	D1111P052
6/18/03	D1165N050	6/21/04	D1057P394
6/18/03	D1057N207	6/23/04	D2086P033
6/19/03	D3039N165	7/7/04	D4009P608
7/7/03	D1023N204	7/13/04	D1149P113
7/10/03	D1119N147	7/17/04	D1029P443
7/10/03	D1164N087	7/17/04	D1029P446
7/22/03	D2097N059	7/21/04	D1011P194
8/4/03	D1012N027	7/23/04	D1029P501
8/7/03	D3019N057	7/23/04	D1102P352
8/14/03	D1029N384	8/2/04	D1047P083
8/14/03	D1029N385	8/26/04	D4009P683
8/21/03	D1001N105	9/10/04	D1119P214
8/29/03	D4009N406	9/15/04	D3071P059
9/4/03	D1155N283	9/21/04	D3019P078
9/4/03	D4012N238	10/4/04	D2020P135
9/16/03	D1029N397	10/14/04	D9160P141
9/29/03	D3045N093	10/15/04	D2090P656
10/8/03	D1023N336	10/19/04	D3074P059
10/16/03	D1176N048	10/25/04	D9190P116
10/29/03	D2089N228	10/28/04	D9190P122
10/31/03	D3074N084	11/19/04	D2038P565
10/31/03	D1107N175	11/24/04	D4009P873
11/3/03	D1025N192	11/30/04	D1176P123
11/10/03	D1029N543	12/20/04	D1180P391
12/3/03	D4013N003	12/27/04	D1029PC81
12/10/03	D2095N097	1/4/05	D9190Q016
12/26/03	D1168N033	2/10/05	D3039Q090
1/2/04	D1029P034	2/24/05	D4009Q236
1/8/04	D1057P024	2/25/05	D1185Q169
1/22/04	D3060P011	3/1/05	D1185Q171
2/3/04	R8025P004	<u>Date of Receipt</u>	<u>MFTA WSC Number</u>
<u>Date of Receipt</u>	<u>MFTA WSC Number</u>	3/8/05	D1178Q123
2/6/04	D9190P012	3/15/05	D1196Q088
2/12/04	D1056P023	3/31/05	D3028Q523

3/31/05	D1062Q167
4/7/05	D3081Q170
4/26/05	D3071Q281
5/2/05	D4012Q452
5/18/05	D1185Q319
5/23/05	D1106Q106
5/25/05	D4009Q484

Product Quality and Field Reports (PQR/FR)

<u>Date of Receipt</u>	<u>MFTA PQR/FR Number</u>
4/22/01	FV01T100A
3/5/03	FV03T031A
3/5/03	FV03T031B
3/25/03	INFO3044
3/28/03	FV03T039A
4/11/03	FV03T031C
4/11/03	FV03T039B
4/16/03	FV03T041A
4/17/03	INFO3044B
4/24/03	FV03T039C
5/14/03	FV03T047A
6/4/03	FV03T039D
6/4/03	FV03T039E
6/4/03	FV03T039F
6/4/03	FV03T047B
6/13/03	FV03T039G
6/30/03	FV03T031D
7/2/03	FV03T031E
7/3/03	FV03T057A
7/3/03	FV03T039H
7/23/03	FV03T039I
8/7/03	FV03T057B
8/15/03	INFO3044C
8/15/03	INFO3044D
8/19/03	FV03T082A
3/9/04	FV04T023A