



# TECHNICAL SERVICE BULLETIN

THE NEW AMERICAN MOTORCYCLE

## Victory Motorcycle

Bulletin Number: **V-04-03**

Date: 11/01/2004

Model Years: **2005**

Safety Alert Fax  Safety Recall  Service Bulletin  Service Alert Fax  Production Update Kit

Distribution:  Owner / Principal  Service Manager  Sales Manager  Parts Manager  Technicians

5 Pages

*This Service Bulletin is located at [www.polarisdealers.com](http://www.polarisdealers.com)*



-Confidential and Proprietary-

### SUBJECT: LOOSE FUEL LINE HOSE CLAMP AT FUEL RAIL

**PURPOSE:** The Victory Motorcycle Division of Polaris Industries Inc. has decided that the hose clamp that secures the high pressure fuel line to the fuel rail may be loose, allowing fuel to leak from the hose on some 2005 Victory motorcycles. Fuel leakage around the fitting creates the potential for a fire. **DO NOT SELL, DELIVER, OR OPERATE AN AFFECTED UNIT UNTIL THE REPAIR PROCEDURE ON PAGE 4 HAS BEEN COMPLETED!**

**MODEL(S) AFFECTED:** IMPORTANT! THE VIN RANGE FOR EACH AFFECTED MODEL IS LISTED BELOW. SOME VEHICLES WITHIN THESE VIN RANGES WERE REPAIRED PRIOR TO SHIPMENT AND ARE NOT AFFECTED. PLEASE CHECK VIN NUMBERS AGAINST THE NON-AFFECTED LIST ON PAGE 5.

2005 Model(s) Affected	Model Number(s)	Serial Numbers of Affected Vehicles
2005 Vegas™	V05GB16 DA, LA, DG, LG, DJ, LJ, LH, CK, DK, DR, DRP,	5VPG <u>B</u> 16*#5 3006030 - 3006919
2005 Vegas™ 8-Ball	V05AB16 DA, LA	5VP <u>A</u> B16*#5 3006535 - 3006902
2005 Kingpin™	V05CB16 DA, LA, DAP, DE, LE, DG, LG, DH, LH, DJ, LJ, DR LR,	5VPC <u>B</u> 16*#5 3006048 - 3006964
2005 Ness Kingpin™	V05DC16 DT, LT	5VPC <u>D</u> 16*#5 3006491 - 3006907
* The eighth digit is a series number and may be a D (Domestic 49 state), C (Canada), or an L (California)		
# This is a check digit and may be any number or letter		

### WHAT YOU MUST DO:

- 1) Perform this Safety Recall Bulletin repair (page 4) on all affected motorcycles in your inventory and contact owners of delivered units immediately. DO NOT deliver an affected 2005 motorcycle until this repair has been completed.
- 2) File a warranty claim. Refer to Warranty Claim Information on page 2.

### CUSTOMER NOTIFICATION:

A customer notification letter 04V-514 will be sent to registered owners of motorcycles affected by this bulletin. An example of the letter is shown on page 3. In addition to the notification letter sent by Victory, dealers are required to notify owners of motorcycles sold by their dealership, and to make arrangements to perform this warranty repair immediately.

The information contained within this bulletin is confidential and protected by U.S. and international copyright laws, and is the property of Polaris Industries Inc. This service bulletin is provided for the sole use of authorized Polaris dealers and distributors. This service bulletin is not to be distributed, duplicated, or copied, digitally or otherwise, without the written consent of Polaris Industries Inc.

Printed in U.S.A. - © 2004 Polaris Industries Inc.

## WARRANTY CLAIM INFORMATION:

V-04-03 Page 2 of 5

<b>Safety Recall Number</b>	V-04-03
<b>Claim Type</b>	File Warranty Claim Type <b>SB</b> for both registered units and units in your inventory.
<b>Labor Allowance</b>	Enter :15 min in the labor area for each vehicle repaired.
<b>Warranty Claim Special Instructions</b>	A single group claim using the claim type <b>SB (Service Bulletin)</b> may be submitted listing the serial number and date of repair for all machines with the <u>same model number</u> . DO NOT PUT MORE THAN ONE MODEL NUMBER ON A CLAIM.
<b>Part Numbers to List on Claim</b>	Enter (1) 0000505 and (1) 7170107 bulletin completion decal in the parts area of the warranty claim.

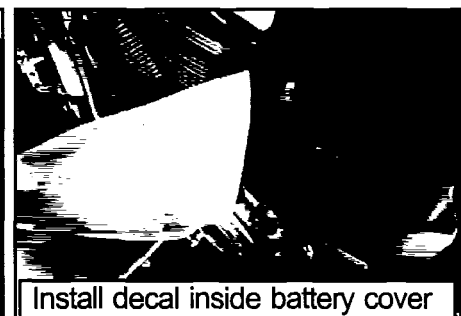
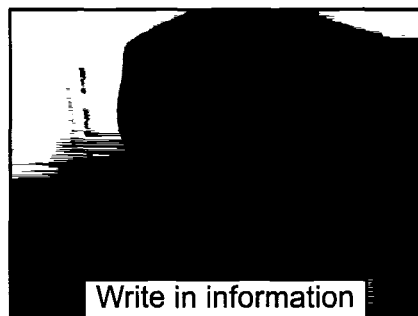
**PARTS REQUIRED:** No parts required.

### CUSTOMER REIMBURSEMENT:

All units affected are currently within the factory warranty period. No customer reimbursement plan will be necessary for this recall.

### BULLETIN COMPLETION DECAL:

After completion of this bulletin, fill out a service bulletin completion decal (P/N 7170107) and install on the inside of left side cover as shown.



Sincerely,

Karl Iverslie  
Manager, Technical Service & Warranty

The information contained within this bulletin is confidential and protected by U.S. and international copyright laws, and is the property of Polaris Industries, Inc. This service bulletin is provided for the sole and exclusive use of the original recipient as prescribed by Polaris Industries, Inc. and may not be distributed, duplicated, or copied, digitally or otherwise, without the written consent of Polaris Industries, Inc.

Printed in U.S.A. - © 2004 Polaris Industries Inc.

Polaris Sales Inc.



V-04-03 Page 3 of 5  
2100 Hwy 55  
Medina, Minnesota 55340  
Phone: 763-542-0500  
Fax: 763-542-0599

**THE NEW AMERICAN MOTORCYCLE™**  
**Warning and Recall Notice 04V-514**

(EXAMPLE OF LETTER SENT BY VICTORY TO OWNERS IN THE U.S.)

Dear Victory Owner:

This notice is sent to you in accordance with the requirements of the National Traffic and Motor Vehicle Safety Act.

The Victory Motorcycle Division of Polaris Industries Inc. has decided that a defect which relates to motor vehicle safety exists in some model year 2005 Victory Vegas™, Vegas™ 8-Ball, Kingpin™, and Ness Kingpin™ motorcycles. Our records indicate that you have purchased one of the potentially affected motorcycles.

The clamp that secures the high pressure fuel hose to the fuel rail may be loose. A loose clamp may allow fuel to leak from the fuel rail fitting, creating the potential for a fire.

Upon receipt of this recall notice, **stop riding your 2005 Victory motorcycle immediately!** Please call your authorized Victory motorcycle dealer to schedule an appointment to have your motorcycle repaired. Do not attempt repairs yourself. Repairs must be done only by an authorized Victory dealer.

The repair will consist of positioning the clamp and tightening it to the proper torque. Repairs will be made by an authorized Victory motorcycle dealer at no cost to you. The repair will take approximately fifteen minutes to perform, although your dealer may need your motorcycle for a longer period of time depending on their work schedule.

While your Victory dealer is in the best position to answer your questions, if you have any questions that your dealer cannot address, or if you are having difficulty obtaining the recall repair outlined in this letter, please call our Consumer Service Department at (763) 417-8650.

If you believe that the Victory Motorcycle Division of Polaris Industries Inc. has failed to remedy this defect without charge or is unable to do so within a reasonable time, you may submit a complaint to the Administrator of the National Highway Traffic Safety Administration at 400 Seventh Street S.W., Washington D.C. 20590 or call the toll-free safety hotline at 1-888-327-4236.

We are sorry for this inconvenience; however, in the interest of your safety, it is very important that you arrange for this repair as soon as possible.

Sincerely,

VICTORY MOTORCYCLE DIVISION OF POLARIS INDUSTRIES INC.

Karl Iverslie  
Manager, Technical Service & Warranty

Federal law requires that any vehicle lessor receiving this recall notice must forward a copy of this notice to the lessee within 10 days. If you are no longer the owner of the Victory motorcycle indicated by this letter, please contact our Consumer Service Department @ 763-417-8650 so we may update our records. Or write to us at:

Polaris Industries, Inc.  
Consumer Service Department  
2100 Highway 55  
Medina, MN 55340-9962

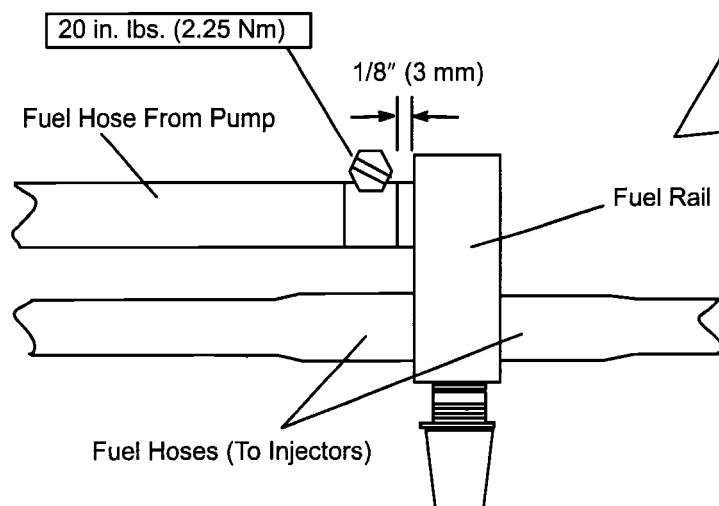
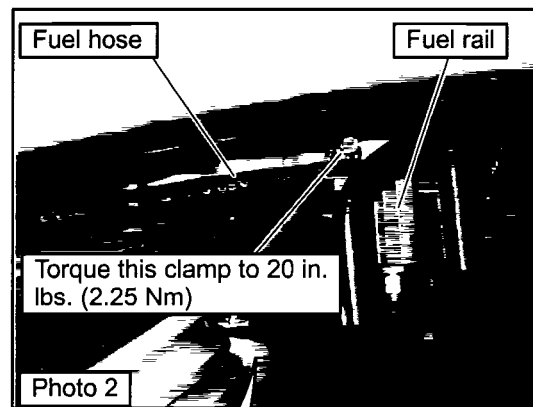
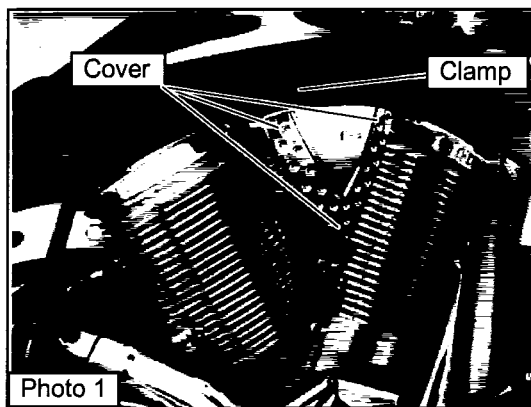
REF: V0403

The information contained within this bulletin is confidential and protected by U.S. and international copyright laws, and is the property of Polaris Industries Inc. This service bulletin is provided for the sole use of authorized Polaris dealers and distributors. This service bulletin is not to be distributed, duplicated, or copied, digitally or otherwise, without the written consent of Polaris Industries Inc.

## INSPECTION / REPAIR PROCEDURE:

V-04-03 Page 4 of 5

1. Remove the triangular chrome fuel rail cover located on the right side of the motorcycle by pulling outward evenly at all corners. (**Photo 1**)
2. Locate the fuel hose clamp on the fuel rail as shown in **Photo 2**.
3. Inspect the hose on the fuel rail fitting. Be sure the fuel hose is pushed completely onto the fitting, and the hose clamp is positioned 1/8 inch (3 mm) from the end of the hose.
4. If necessary, loosen the clamp as required and re-position it with the screw head accessible and the clamp 1/8 inch (3mm) from the end of the hose.
5. Torque the clamp to 20 in. lbs. (2.25 Nm)
6. Start the engine and inspect for leaks.
7. Install fuel rail cover.



The information contained within this bulletin is confidential and protected by U.S. and international copyright laws, and is the property of Polaris Industries, Inc. This service bulletin is provided for the sole and exclusive use of the original recipient as prescribed by Polaris Industries, Inc. and may not be distributed, duplicated, or copied, digitally or otherwise, without the written consent of Polaris Industries, Inc.

Printed in U.S.A. - © 2004 Polaris Industries Inc.

**LIST OF NON-AFFECTED VINS**

**IF THE LAST 4 DIGITS OF THE VIN NUMBER ARE LISTED BELOW, THE VEHICLE HAS ALREADY BEEN REPAIRED.**

6040			6314	and	6315		6597
6045	through	6046	6318	and	6319		6602
6052			6321	and	6322		6646
6056	and	6057	6324	and	6325		6652
6070			6327				6662
6072			6329				6666
6075			6333				6670
6077	and	6078	6337	through	6341		6672
6088			6346				6683
6098			6350	through	6352		6712
6109			6358				6717
6114			6362	through	6366		6754
6135			6368	through	6372		6767
6141			6376	through	6378		6772
6143			6381				6775
6154			6384	through	6387		6777
6157	through	6163	6395				6781
6167			6397				6790
6172			6400	through	6434		6792
6185			6436	through	6438		6795
6186	through	6201	6441	through	6444		6805
6203			6446				6807
6206	and	6207	6448	through	6471		6809
6209	and	6210	6473	through	6474		6826
6213	through	6217	6479	and	6480		6830
6220	through	6237	6482				6837
6240			6485				6839
6243	and	6244	6488				6841
6246			6490				6867
6253			6492				6869
6255			6493	through	6495		6881
6264			6499	and	6500		6887
6265	through	6270	6503	and	6504		6903
6272	and	6273	6506				6908
6276	through	6281	6510	through	6513		6910
6283	through	6292	6516				6913
6294			6563				6920
6296	through	6303	6593				6945

The information contained within this bulletin is confidential and protected by U.S. and international copyright laws, and is the property of Polaris Industries Inc. This service bulletin is provided for the sole use of authorized Polaris dealers and distributors. This service bulletin is not to be distributed, duplicated, or copied, digitally or otherwise, without the written consent of Polaris Industries Inc.