

# Tech-Net Notes

“Fixed Right – First Time”

Volvo Technicians, Service and Parts Managers

NO:	26 - 07
DATE:	1/24/2005
MODEL/YEAR:	1999 - 2001 S80 / 2001 S60, V70 & V70XC
CHASSIS:	(NOTE: <i>RETAILERS MUST CONFIRM VEHICLE ELIGIBILITY</i> )
SUBJECT:	Recall Campaign 141: Inspect/Replace Engine Cooling Fan Control Module (EFCM) and Cooling Fan Assembly
REFERENCE:	SMB 26-141 / PB 26-141

**THIS TECH NOTE SUPERSEDES THE PREVIOUS 26-07 DATED 11-11-04. PLEASE UPDATE YOUR FILES.**

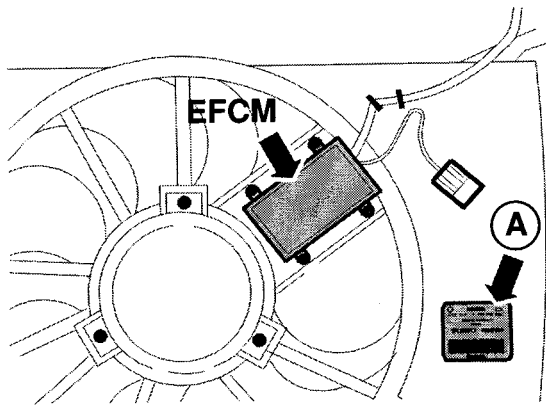
Changes have been made to page 2 – see highlighted in yellow

## **DESCRIPTION:**

Volvo Cars of North America, LLC and Volvo Cars of Canada Ltd. (Volvo) have decided that a defect related to motor vehicle safety exists in the electric cooling fans of certain vehicles.

Under certain circumstances excessive heat may be generated by the running of cooling fan. Should this occur, the electric cooling fan components may overheat, and could cause melting of the electrical connections and adjacent components. In rare instances, the risk of overheating could lead to a fire.

**INSPECTING:**



**Identification of Engine Cooling Fan Control Module (EFCM).**

1.

If the cover on the Engine Cooling Fan Control Module (EFCM) is black plastic then the EFCM and Fan Assembly must be replaced, proceed to page two.

If the cover is metal then the EFCM and Fan Assembly has already been replaced and no further action is required.

The EFCM and Fan Assembly can also be identified via the part number on the decal (A) located on the fan shroud.

Fans with the following part number are OK and must not be replaced:

8649634	30723053
30647253	30645148
30636581	30636445
30680547	30680512

A2600498

**Replacing when necessary:**

<b>Material</b>	<b>Quantity</b>	<b>Part No.</b>
Electric fan	1	30636445
Cable tie	2	983662
Cable tie	3	983614
Clip	1	9148344
<b>Vehicles in the chassis range listed below need the following parts</b>		
Cover*	1	8651136
Decal*	1	9454160

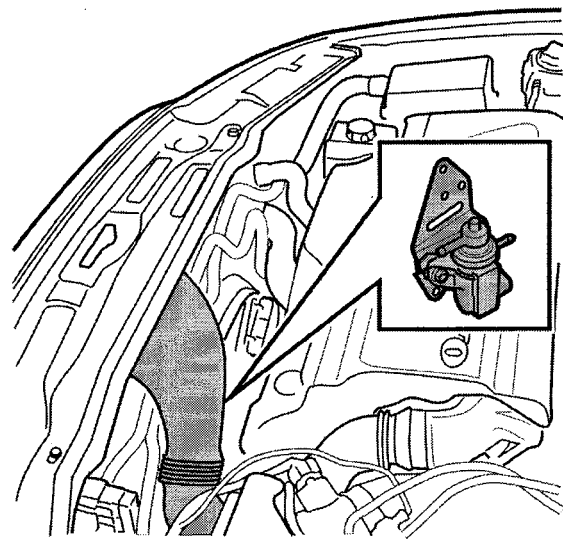
<b>* Vehicles needing Cover &amp; Decal</b>	<b>Chassis #.</b>
S60	000148-024016
S80	116812-187641
V70	000929-086849
V70XC	000160-018742

2.

**Removing the Engine Cooling Fan Control Module (EFCM) and Fan Assembly.**

**Remove:**

- the intake pipe for the Air Cleaner (ACL) housing
- the Canister Purge (CP) valve from the engine cooling fan shroud
- the hose clamps and charge air pipe / hose on the right-hand side (turbocharged engines only).



D2600258

3.

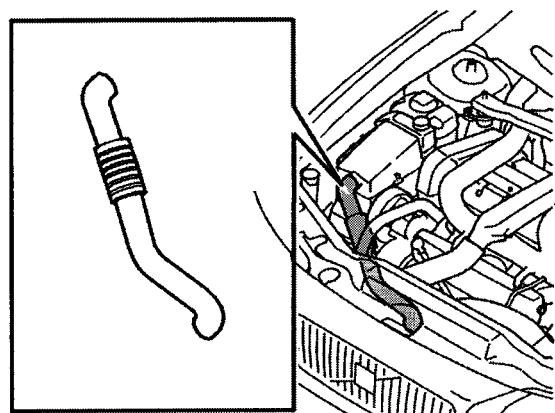
Remove the four tie straps holding the cable harness on the fan shroud.

---

**Note! Certain cars have three tie straps and a clip holding the cable harness on the fan shroud.**

---

- Lift out the hose for the expansion tank from the holders on top of the fan shroud.
- Remove the plastic hose for the cold box from the fan shroud.
- Disconnect both the connectors for the engine cooling fan.
- Remove both the screws holding the fan shroud.
- Carefully lift up the engine cooling fan.



D8702851

4.

**Installing the new Engine Cooling Fan Control Module (EFCM) and Fan Assembly.**

Carefully lower the fan shroud and align with the holders. Position the cable harness behind the holder (3).

Tighten both the mounting screws.

Connect the engine cooling fan connectors.

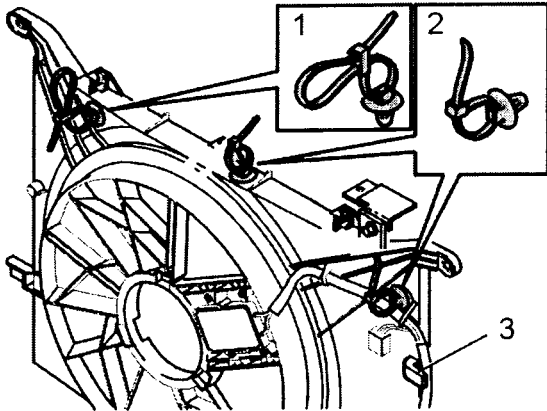
Press the hose down from the expansion tank into the holder on the fan shroud.

Transfer the clips from two of the tie straps to the tie straps with two catches (1).

Secure the cable harness using tie straps (1) and (2) to the fan shroud. See the illustration.

**Install:**

- the Canister Purge (CP) valve
- the hose clamp and charge air pipe / hose on the right-hand side (turbocharged engines only)
- the intake pipe for the Air Cleaner (ACL).

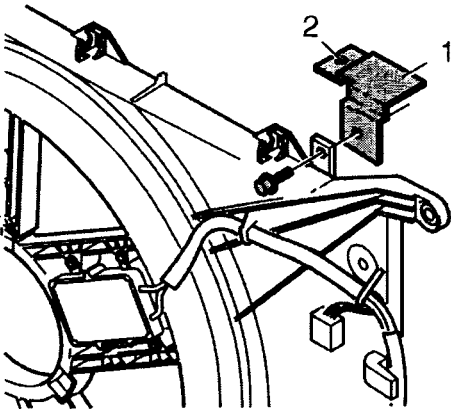


D2600311

5.

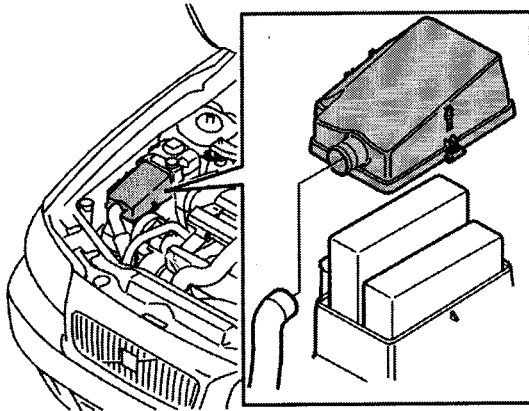
Transfer the bracket (1) to the new fan shroud.

Install the connectors for the fan with the holder from the service kit on the bracket (2).



D2600310

6.



D2800683

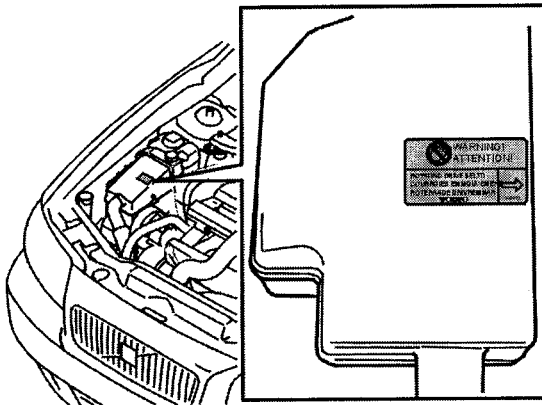
---

**Note: On cars manufactured between week 9950 and 0048 (for chassis. #, see affected vehicles list under the Material list):**  
**Replace the cover on the cold box (Transmission Control Module (TCM), Engine Control Module (ECM)).**

---

7.

Install decal on the cold box cover.



D2600496

**VOLVO** for life,  
Volvo Cars of North America, LLC  
Technical Service

Please circulate, read and initial: \_\_\_\_\_ Svc Mgr \_\_\_\_\_ Parts Mgr

\_\_\_\_\_  
\_\_\_\_\_ TECHS

\_\_\_\_\_ Shop Foreman \_\_\_\_\_ Warranty Administrator