



Safe and Secure

SAFETY BULLETIN

NHTSA RECALL #04E058

Page 1 of 3

August 16, 2004

There is a possibility of a component related defect in Sure-Lok retractable wheelchair tie-down assemblies. It has been identified in only a few retractor assemblies; however, the potential for serious injury is sufficient to warrant this alert. This safety bulletin affects all retractable wheelchair tie-down assemblies shipped through July 2004.

The component defect places the sprocket teeth of the retractor assembly out of alignment, causing the load pawl to not fully seat in the sprocket teeth. **ALL retractable wheelchair tie-down assemblies must be inspected for this potential condition.** See instructions below. Any retractor, which meets the defined criteria, needs to be removed from service immediately and returned to Sure-Lok for replacement at no charge. Contact Customer Service at 866-787-3565 for further instructions.

Instructions for Inspecting Retractors

Retractor Operation:

Each retractor assembly has a load pawl that engages into two sprockets (one on each side). As the retractor strap is wound into the case, the load pawl ratchets or clicks into the teeth of the sprockets. On units that have the proper alignment (phasing) of the sprockets, the load pawl clicks into and seats in both sprockets simultaneously. On these units, there are 24 teeth encountered on one full rotation of the retractor knob.

On units that exhibit the identified alignment or phase problem, the load pawl does not seat in both sprockets simultaneously, but encounters the sprocket teeth on one sprocket and then the other in succession. One full rotation of the retractor knob will click through 48 teeth (24 teeth for each sprocket) on these units.

SURE-LOK

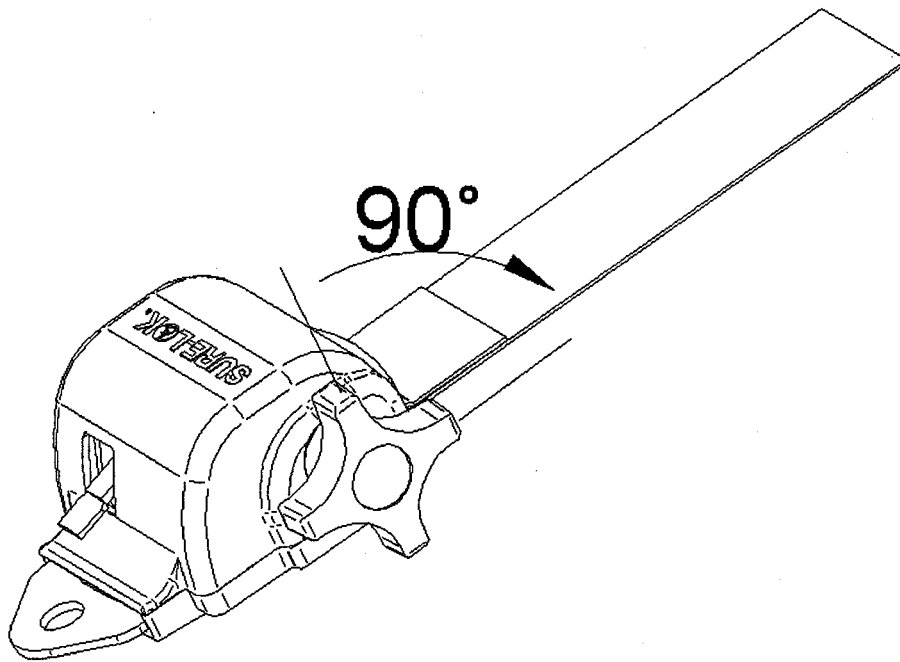
Safe and Secure

SAFETY BULLETIN

Page 2 of 3

Inspecting Units That Have A Retractor Knob:

Release the retractor strap and pull approximately 1 foot of webbing from the retractor. Position the retractor knob so that one of the lugs on the knob is at the 12:00 o'clock position. Slowly rotate the retractor knob one-quarter rotation (90 degrees) and count the clicks as the load pawl encounters the sprocket teeth. Units that are out of phase and require replacement will have 12 clicks. Contact Sure-Lok customer service at 866-787-3565.



Rotate the knob $\frac{1}{4}$ turn as shown in the picture and count the clicks

6 clicks identifies a properly functioning retractor

12 clicks identifies a defective unit that requires replacement

SURE-LOK

Safe and Secure

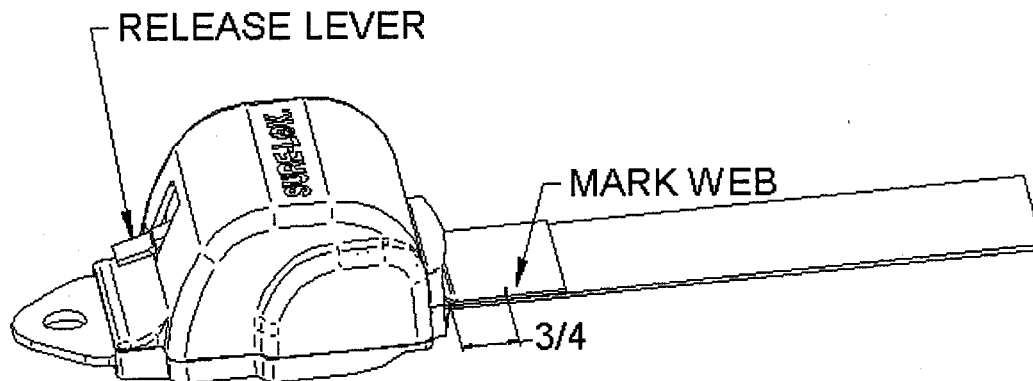
SAFETY BULLETIN

Page 3 of 3

Inspecting Units That Do Not Have A Retractor Knob:

Fully extend the webbing from the retractor, and measure $\frac{3}{4}$ inch from the entrance throat of the retractor. Draw a line on the webbing at this point $\frac{3}{4}$ inch from the entrance throat of the retractor. While holding the extended webbing taut, slowly depress the release lever to the point that it just releases the web.

Allow the webbing to be drawn into the retractor until the mark that you made is at the entrance of the retractor housing. Go slowly, one ratchet step at a time while counting the feel of ratchet clicks. It is necessary to let the release lever ride over the top of the sprocket teeth to feel the clicks. There should be the feel of six ratchet clicks encountered for a $\frac{3}{4}$ inch length of webbing. 12 clicks over the $\frac{3}{4}$ inch span of webbing indicates a defective retractor which needs to be removed from service immediately. Contact Sure-Lok customer service at 866-787-3565.



6 clicks to retract $\frac{3}{4}$ " of fully-extended web identifies a properly functioning retractor
12 clicks to retract $\frac{3}{4}$ " of fully-extended web identifies a defective unit that requires replacement