



Mercedes-Benz
RECEIVED
NVS-215

Mercedes-Benz USA, LLC
A DaimlerChrysler Company

VIA CERTIFIED MAIL

2003 JUN 20 P 1: 23

OFFICE OF
DEFECTS INVESTIGATION

June 16, 2003

National Highway Traffic Safety Administration
400 Seventh Street, S.W.
Recall Analysis Division
Office of Defect Investigation
Washington, D.C. 20590

Attn: George Person, Chief

Re: 49 CFR Part 573: Recall of Mercedes-Benz M-Class

Dear Mr. Person:

Pursuant to 49 CFR Part 573.5(c)(9), this letter contains 3 documents that were communicated to our dealers on the above subject and will be submitted in Mercedes-Benz USA, LLC (MBUSA) regular monthly mailing for the month of June, 2003.

Manufacturer's Campaign Identification Number
2003040005

NHTSA Recall Number
09V-121

Sincerely,

Stephen Kraitz
Senior Staff Engineer
Product Compliance and Analysis

Enclosure



FILE: SERVICE: GROUP 00 OF SERVICE INFORMATION BINDER
PARTS: GROUP I OF INFORMATION - PARTS & ACCESSORIES BINDER

Campaign No.2003040005
June 2003

TO: ALL MERCEDES-BENZ CENTERS

SUBJECT: MODEL 163.154/157/172/174/175
REPLACEMENT OF CLAMP FOR LOWER POWER STEERING HOSE DUE TO
POSSIBLE FLUID LOSS AT RADIATOR

DCAG has determined that the lower power steering hose clamp (1, Figure 1) located on the lower power steering hose (2, Figure 1) at the lower left hand corner of the radiator must be replaced, with a new clamp (6, Insert, Figure 1). The hose clamp may not provide sufficient clamping force for this connection and may cause fluid loss.

Please review the Effective Serial Number Chart located on page 2
Attached is a sample copy of a letter which owners of the affected vehicles will receive.

Please review the entire Recall Campaign bulletin prior to performing this repair.

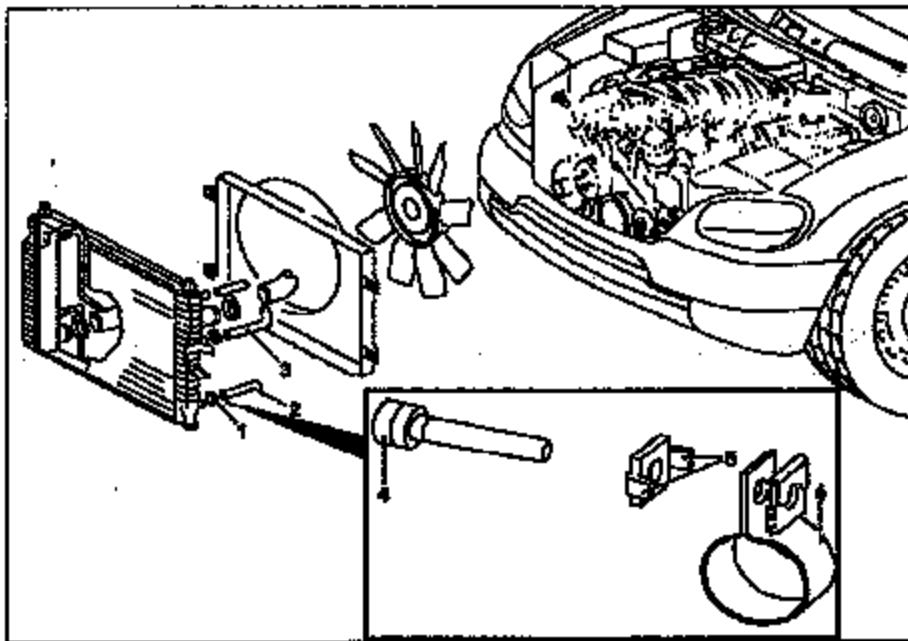


Figure 1

Order No. T-RC-2003040005

This bulletin has been created and maintained in accordance with MBUSA-SLP 6.1, Document and Data Control, and MBUSA-SLP 16.1, Control of Quality Records.

Approximately 225,901 vehicles are involved.

Effective Serial Number Range

Model	Plant Code	Chassis End Number	
		From	To
163.154	A	043552	402227
163.157	A	383106	449826
163.172	A	050601	268097
163.174	A	110288	440701
163.175	A	262002	449822

Replacing the Lower Power Steering Hose Clamp Procedure

1. Prior to performing this Recall Campaign, please check VMI to insure the vehicle is involved and to determine if the vehicle has been previously repaired.
2. Shut-off engine and remove ignition key from ignition lock.
3. Open engine hood.
4. Visually locate both upper (3, Figure 1) and lower (2, Figure 1) power steering hose and then using MBUSA Special Tool: 000 589 40 37 00, clamp off (near radiator) both upper and lower power steering hoses to prevent any fluid leaks.
5. Carefully loosen only, the existing hose clamp (1, Figure 1) and then slide hose clamp away from the radiator. Do not remove existing hose clamp at this point.



Warning!

In order to prevent power steering fluid leak, do not disturb or remove lower power steering hose (2, Figure 1) in any way.

6. Carefully inspect the condition of the lower power steering hose (2, Figure 1) at the radiator.



NOTE: The lower power steering hose should not be replaced unless the outer casing displays any cuts or splits. If there is any evidence of fluid loss, please check and replenish fluid at power steering fluid reservoir.

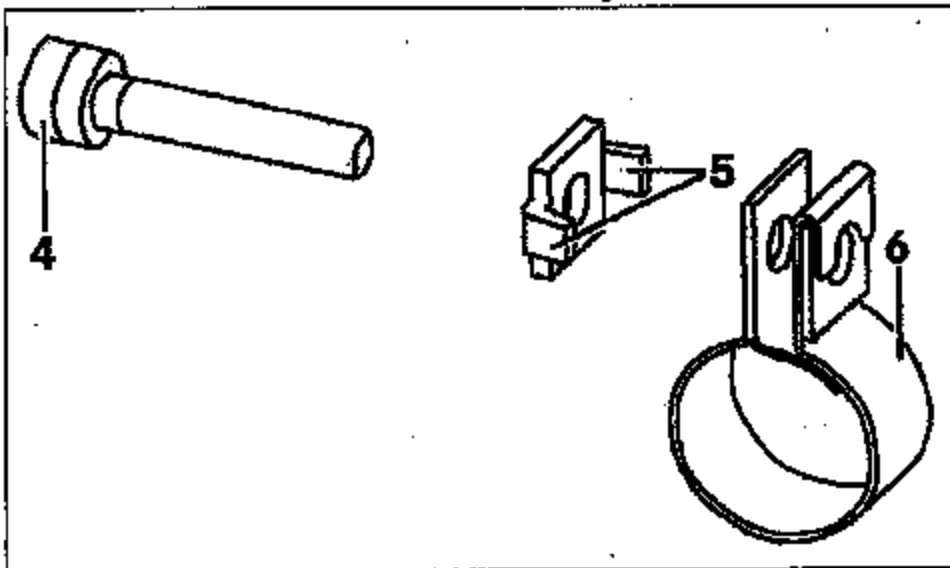


Figure 2

7. Open replacement hose clamp (6, Figure 2) just enough for clamp to fit over the outer circumference of the lower power steering hose (2, Figure 1).

Ⓢ When installing new hose clamp, do not open hose clamp any more than necessary in order for hose clamp to fit over the lower power steering hose itself, otherwise the hose clamp may be damaged.

i NOTE: The new replacement hose clamp (6, Figure 2) must have the number "Nr St 15" stamped into the outer circumference of the hose clamp surface. Any other type of hose clamps must not be used.

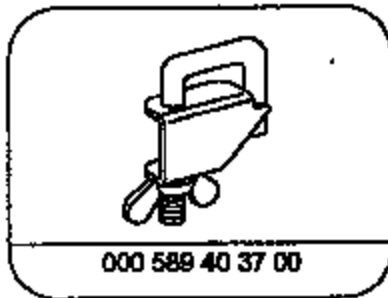
8. Slide the installed new hose clamp toward the radiator and locate in the proper position on the lower steering hose (1, Figure 1) as shown and tighten hose clamp screw (4, Figure 2).

Ⓢ Observe tightening torque of: Nm 2.0 + .5 / - 0.0 and proper orientation of the anti-rotation tabs (5, Figure 2).

i NOTE: Do not exceed the specified torque value, even if the hose can still be rotated on the fitting.

9. Remove previously loosened old hose clamp (see step 5) from hose at this point, and discard.
10. Loosen and remove previously installed MBUSA Special Tool: 000 689 40 37 00 from both upper and lower power steering hoses.
11. Start-up engine and check for any fluid leaks from the power steering hoses at the radiator.

i NOTE:
If a hose requires replacement, please retain lower power steering hoses for return to MBUSA for testing and inspection. Claims where the lower power steering hoses are not returned when requested, or hoses that are returned which do not exhibit outer casing cuts or splits, will be debited.

Special Tools

000 589 40 37 00

Clamp

Tool Information

Tool Number	Group	Cat.	Tool Description	Retailer Net (\$)
000 589 40 37 00	00	A	Clamp	\$7.00

Note: This MBUSA Special Tool: 000 589 40 37 00 should be in Dealer Special Tool Inventory.

Parts Information

Qty.	Part Name	Part Number
1	Hose clamp	A 000 995 76 10 05
1	Lower power steering hose*	Refer to EPC, Group 33, Subgroup 240, Callout 123, for specific vehicle.

* Replacement only required if outer casing of lower power steering hose displays cuts and splits.

Warranty Information

Operation: 1. Hose clamp - lower power steering hose at radiator fitting (inspect hose), replace (02 4000).
2. Hose clamp and lower power steering hose, replace (02 3902).

Damage Code	Operation Number	Labor Time (hrs.)	Model Indicator(s)
46 95027	02 4000	0.2 hrs	K1, K2, K3, K4, K5
	02 3902	0.8 hrs. (V6 engine)	K1, K5
		0.9 hrs. (V8 engine)	K2, K3, K4

NOTE REGARDING CUSTOMER REIMBURSEMENT

Reimbursement to customers for repairs performed prior to this recall:

If the customer already paid to have this recall condition repaired and provides adequate documentation to support their claim of a non-warranty repair of this item, they may be eligible to receive reimbursement.

Requests for reimbursement may include parts, labor, fees and taxes. Reimbursement may be limited to the amount the repair would have cost if completed by an authorized Mercedes-Benz dealer.

See "Reimbursement to customer for repairs performed prior to recall" in MBUSA's Warranty Policy and Procedures Manual.

Reimbursement will only be made with adequate documentation for repairs performed between March 26, 2002 and June 30, 2003

Please note the claim submitted for customer reimbursement will not close the campaign (if still open). If the customer is still in possession of the vehicle with an open campaign, please arrange to close the recall in the usual manner.

When performing the recall as indicated, the proper hose clamp (as noted on page 3) must be used.

Safety Recall #2003-040005

June, 2003

Dear Mercedes-Benz Owner,

This notice is sent to you in accordance with the requirements of the National Traffic and Motor Vehicle Safety Act. WE SENT YOU THIS NOTICE BECAUSE WE ARE CONCERNED ABOUT YOUR SAFETY.

DaimlerChrysler AG (DCAG) has decided that a defect which relates to motor vehicle safety exists in certain Model Year 1998-2003 M-Class vehicles. Mercedes-Benz USA, LLC (MBUSA) therefore has initiated a voluntary recall of these vehicles. Our records indicate that your vehicle is included in this group.

DCAG has determined that M-Class vehicles in this group have a hose clamp used to secure the power steering fluid cooling hose to the power steering fluid cooler which may not provide sufficient clamping force for this connection and must be replaced. A loss of power steering fluid may result in diminished power assist for steering the vehicle and ultimately can also damage the power steering pump. This could result in a loss of control and a crash without warning.

Your authorized Mercedes-Benz dealer is available to provide this service, free of charge. The working time required is approximately one half hour. We are sorry to inconvenience you, BUT IT IS IMPORTANT FOR YOUR SAFETY, AND THE SAFETY OF OTHERS, TO HAVE THE WORK PERFORMED IMMEDIATELY. Please contact your authorized Mercedes-Benz dealer to schedule an appointment. Please mention this is Safety Recall # 2003-040005.

If you are no longer the vehicle owner, or have a change of address, please complete the reverse side of this letter and return the complete letter in the enclosed envelope. If this is a leased vehicle and the lessor and registered owner receive this notice, please forward this information by first class mail to the lessee. If you have paid to have this recall condition corrected prior to this notice you may be eligible to receive reimbursement. Please see the reverse side of this notice for details.

Please contact your authorized Mercedes-Benz dealer should you have any questions or encounter any difficulty regarding this recall. If your dealer is unable to remedy your situation please contact us at 1-(800) FOR-MERCEDES. (1-800-367-8372).

If an authorized Mercedes-Benz dealer or Mercedes-Benz USA, LLC, fails or is unable to perform this power steering service without charge within 60 days, pursuant to law 49 U.S.C. Chapter 301, you may submit a complaint to the Administrator, National Highway Traffic Safety Administration, 400 Seventh Street, S.W., Washington, D.C. 20590 or call the toll-free Auto Safety Hotline at 888-327-4236.

Again, we apologize for any inconvenience this situation may cause you.

Klaus Ulkann
Vice President, Customer Services

Route: All
To: All Mercedes-Benz Dealers

Subject: Voluntary Recall Campaign 1998 - 2003 MY M-Class Power Steering Fluid Cooling Hose Clamp. Re-launch

Date: June 13, 2003

Ladies and Gentlemen:

On April 4, 2003 you were notified that Mercedes-Benz USA LLC will conduct a Voluntary Recall Campaign of certain 1998 - 2003 model year M-Class vehicles to replace a hose clamp at the power steering fluid cooler. The clamp may not provide sufficient clamping force for this connection and must be replaced. Over time, some customers may experience a loss of power steering fluid and diminished power assist for steering and ultimately possible damage to the power steering pump.

Approximately 225,901 vehicles in the U.S. are affected by the Voluntary Recall Campaign.

Today, the Recall Bulletin has been posted on StarTek Info and will be mailed to the dealers shortly. Customer letter mailing will also follow in a few days. An initial quantity of the required power steering hose clamps will be distributed automatically.

MBUSA Engineering Services
6/13/03

NetStar Messages

**NCA: Parts for Recall Campaign No:
2003040005**

Date: June 12, 2003

**Attn: Parts Managers and Parts Advisors
Service Managers and Service Advisors**

**Subject: Parts for Recall Campaign No:
2003040005**

**Regarding the above referenced recall,
please be advised that Dealer Parts
Services is placing dealer orders for the
initial release of part number
A 000 995 76 10 05. Each dealership has
been allocated parts to address
approximately 20% of the total affected
vehicles for their dealership. The order
number for this order is ML-03.**

**Until further notice, additional quantities of
part number A 000 995 76 10 05 can be
ordered on a DPS form.**

Thank you for your continued cooperation.

**Bill Mohrmann
Department Manager
Parts Assistance Center**

**Attachments:
(none)**