



RECALL CAMPAIGN BULLETIN

Reference:

NTB00-089

Date:

November 22, 2000

VOLUNTARY RECALL CAMPAIGN 2001 QUEST FRONT SEAT BELT BUCKLE

CAMPAIGN I.D. # / NHTSA #: B0091 / 00V-338

APPLIED VEHICLE: 2001 Quest (V41)

APPLIED VINS: 4N2ZN1*T*1D800038 - 803826

NOTE: Because not all Quest vehicles are affected by this campaign, it is mandatory to confirm campaign eligibility by using Service Comm.

INTRODUCTION

Nissan has determined that some 2001 model year Nissan Quest vehicles may have a defect which relates to motor vehicle safety. The bolt attaching the front seat belt buckle to the seat frame may not have been installed properly. If the bolt loosens, the buckle could pull out of its attachment in the event of a severe crash and increase the risk of injury.

IDENTIFICATION NUMBER

Nissan has assigned identification number B0091 to this campaign. This number must appear on all communications and documentation of any nature dealing with this Campaign.

NUMBER OF VEHICLES POTENTIALLY AFFECTED

The number of vehicles potentially affected is approximately 130.

DEALER RESPONSIBILITY

It is the retailer's responsibility to check Service Comm for the campaign status on each vehicle falling within the range of this voluntary safety recall which for any reason enters the service department. This includes vehicles purchased from private parties or presented by transient (tourist) owners and vehicles in a dealer's inventory. **Federal law requires that new vehicles in dealer inventory which are the subject of a safety recall must be corrected prior to sale. Failure to do so can result in civil penalties by the National Highway Traffic Safety Administration.** While federal law applies only to new vehicles, Nissan strongly encourages dealers to correct any used vehicles in their inventory before they are retailed.

SERVICE PROCEDURE

There are two separate Service Procedures depending on which Nissan Vehicle Entertainment System (NVES) the vehicle is equipped with.

- 2001 Quest Vehicles with In-Console Monitor NVES (vehicles with a sunroof)
- 2001 Quest Vehicles with Over-Head Monitor NVES (vehicles without a sunroof)

Check the vehicle to determine which Service Procedure to use, based on the NVES type.

2001 Quest Vehicles with In-Console Monitor NVES (vehicles with a sunroof)

Passenger Front Seat Belt Buckle Replacement

NOTE: Performing step one below (re-positioning the NVES console) will allow you to access the front seat belt buckle mounting bolts.

1. Re-position the Nissan Vehicle Entertainment System (NVES) console, located between the front seats, as follows:
 - A. Make sure the ash tray and cup holder tray (located below the A/C controls) are pushed in all the way.
 - B. Re-position the floor mat between the front seats and the second row seating to access the two rear NVES console mounting bolts (see Figure 1).

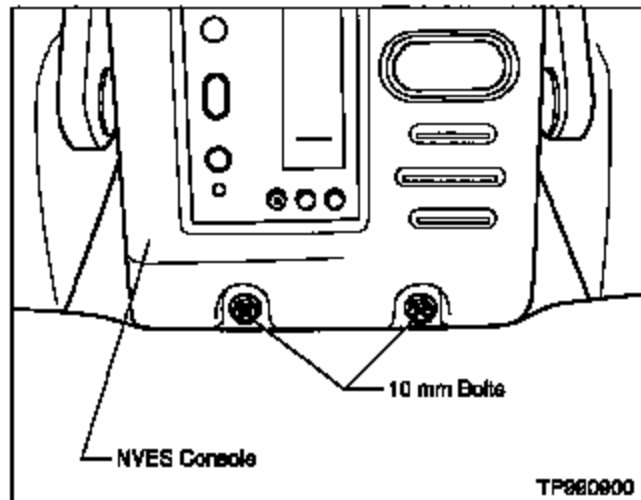


Figure 1

- C. Remove the two, rear console mounting bolts (see Figure 1).

- D. Pull the console rearward 2 inches so it slides out of the front mounting bracket (see Figure 2).

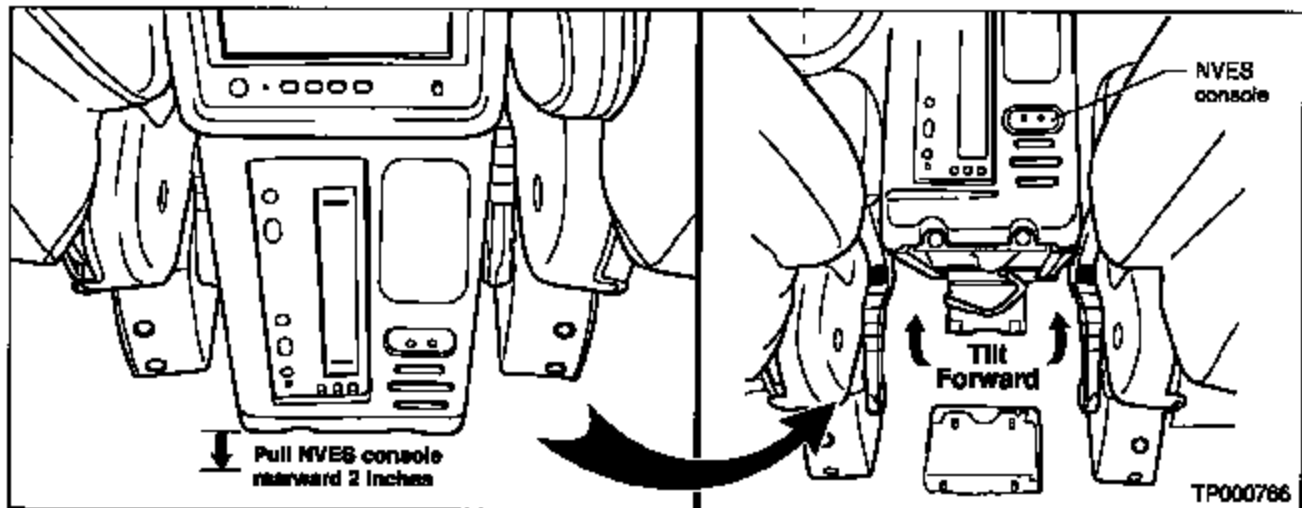


Figure 2

- E. Carefully tilt the rear of the console upward just enough to access the passenger front seat belt buckle mounting bolt.

CAUTION:

- Do not stretch or pinch the NVES wire harness (located under the front of the console) when tilting the console forward.
- Be careful not to scratch or mar the console.
- Do not hit or put pressure on the NVES screen as it can crack.

2. Unscrew (using a Torx-bit #T50) and remove the trim cover over the seat belt buckle mounting bolt (see Figure 3).

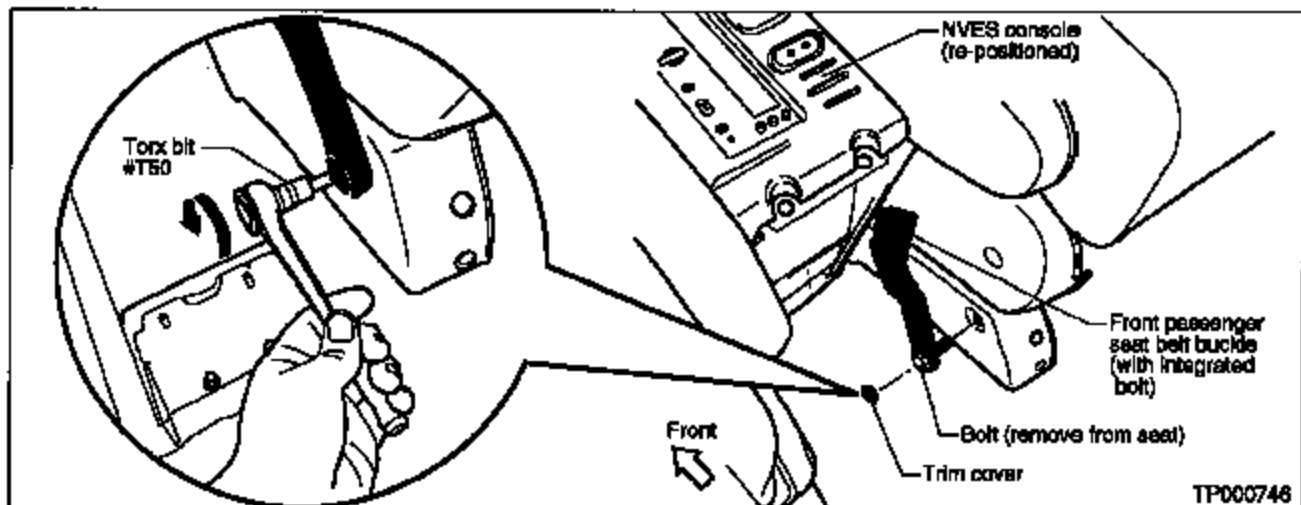


Figure 3

3. Unscrew the bolt and remove the front passenger seat belt buckle (see Figure 3).

4. Install the new seat belt buckle and tighten the mounting bolt to 34 – 46 Nm (3.5 – 4.7 Kg-m, 25.1 – 33.9 ft-lbs). See Figure 4.

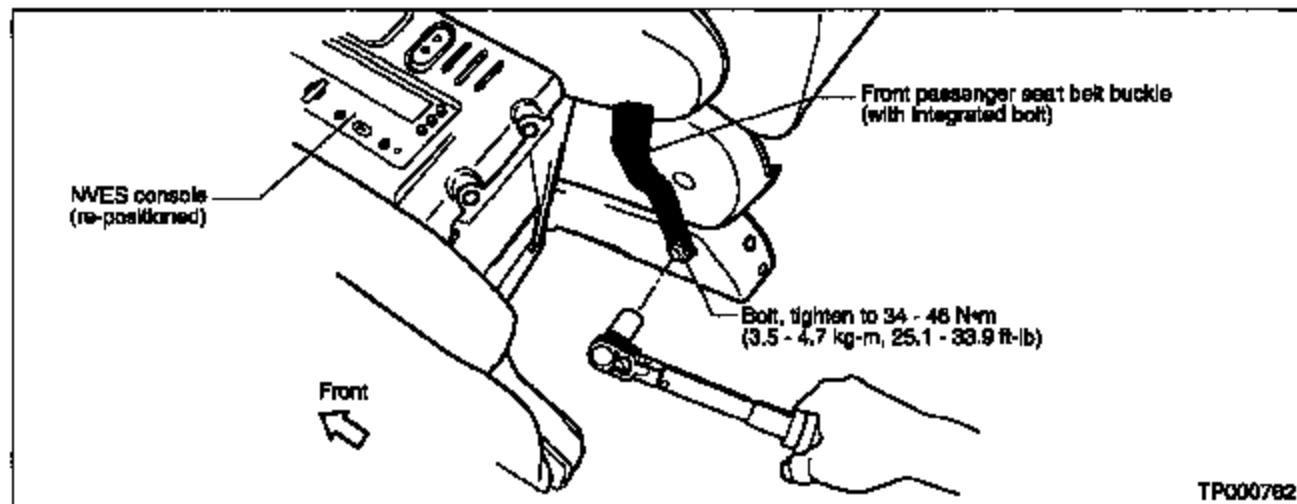


Figure 4

5. Confirm the seat belt buckle can freely move (back and forth) about 20 degrees (see Figure 5). If the buckle cannot be freely moved (i.e., there is stiff or no movement), loosen and re-tighten the buckle mounting bolt ensuring the buckle trim cover does not get caught between the buckle and the seat.

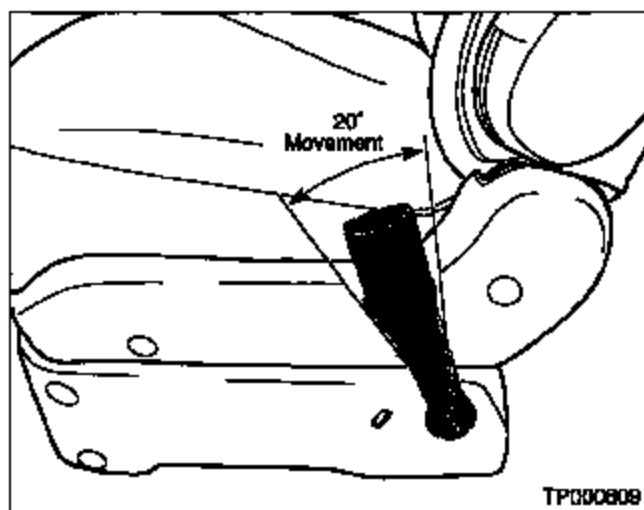


Figure 5

6. Re-install the trim cover over the seat belt buckle mounting bolt (see Figure 3).
7. Confirm the seat belt latch plate inserts and correctly latches in the seat belt buckle.

Driver's Front Seat Belt Buckle Replacement

1. Reach under the driver's front seat and disconnect the seat belt buckle wire harness connector from the vehicle wire harness (see Figure 6).

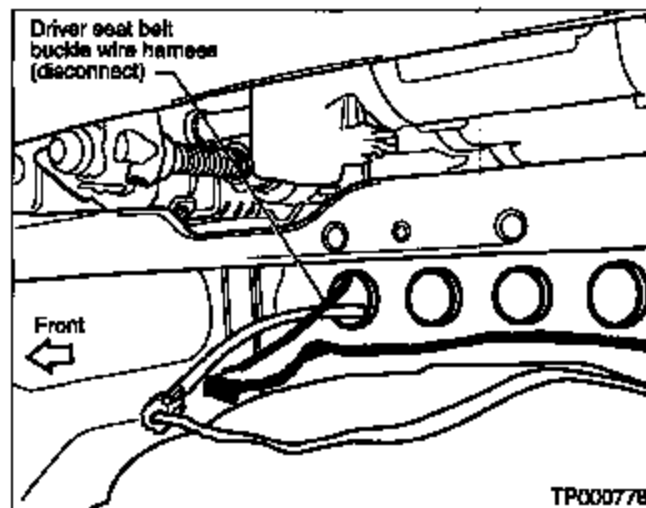


Figure 6

2. Unscrew (using a Torx-bit #T50) and remove the trim cover over the seat belt buckle mounting bolt (see Figure 7).

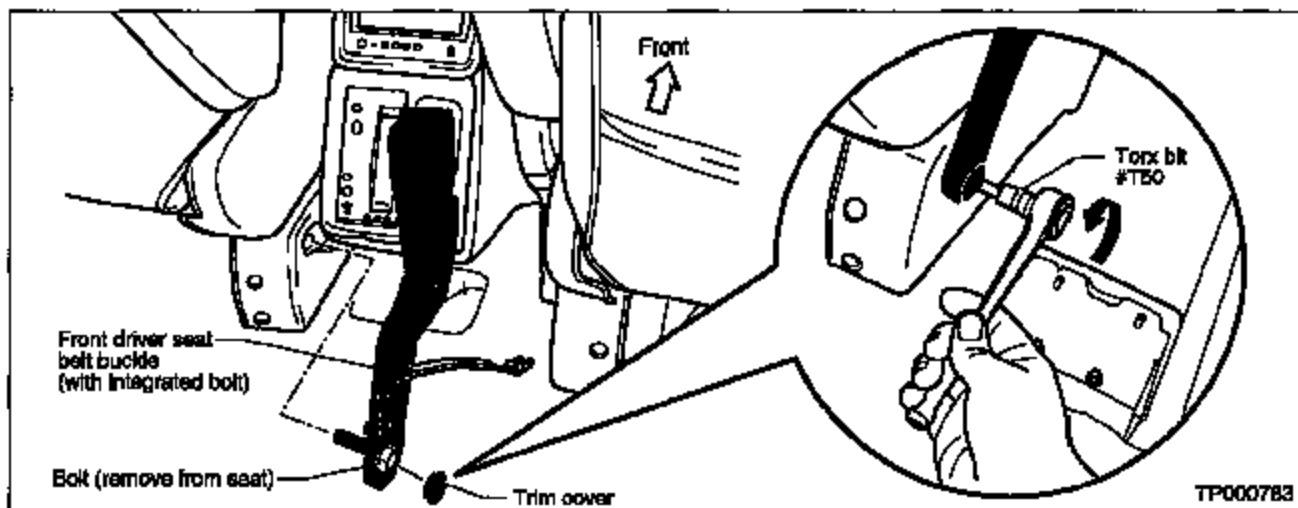


Figure 7

3. Unscrew the bolt and remove the front driver's seat belt buckle (see Figure 7).

4. Install the new seat belt buckle as follows:

- A. Route the seat belt buckle wire harness and connect it to the mating vehicle harness (see Figure 8).

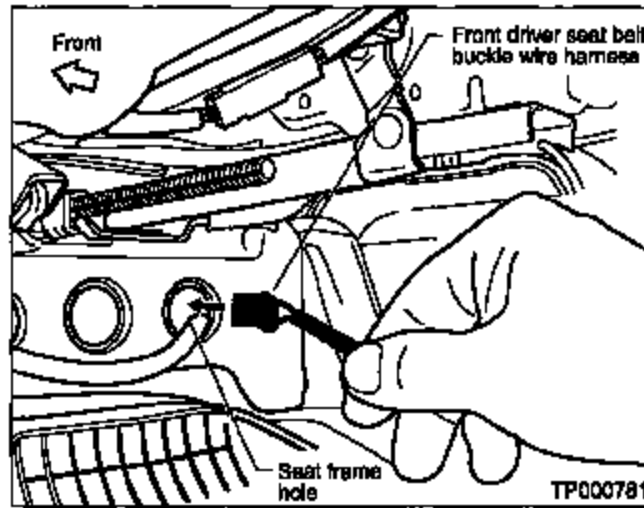


Figure 8

- B. Install the seat belt buckle and tighten the mounting bolt to 34 – 46 Nm (3.5 – 4.7 Kg-m, 25.1 – 33.9 ft-lbs). See Figure 9.

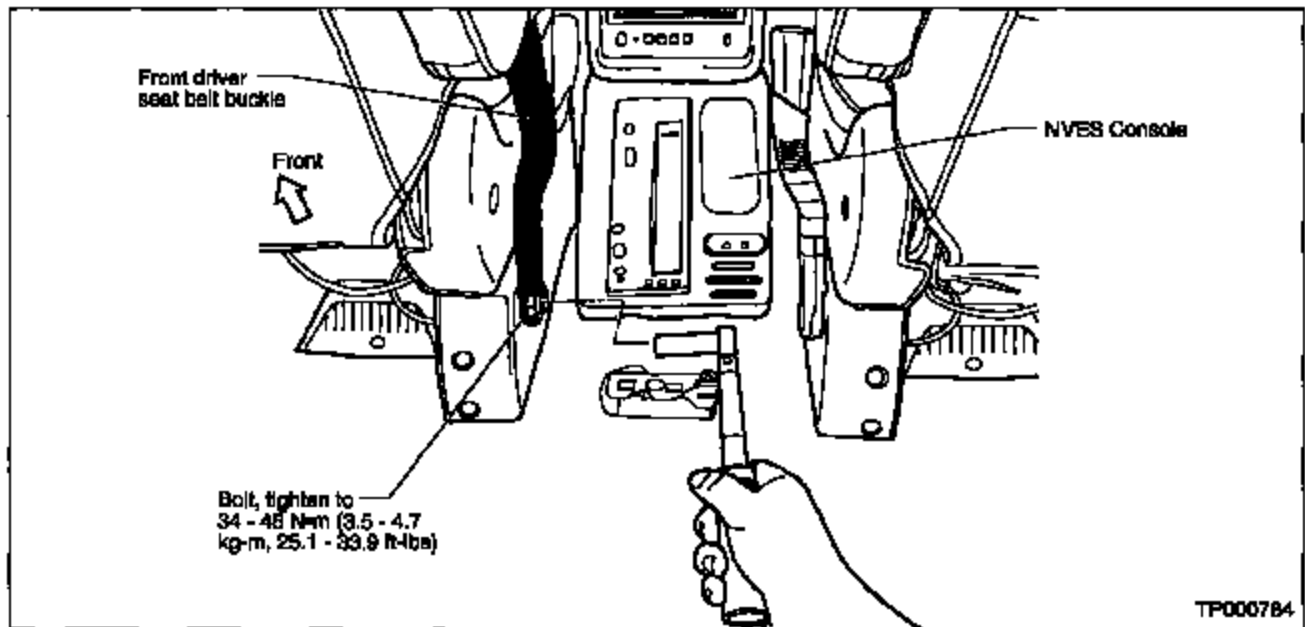


Figure 9

- C. Confirm the seat belt buckle can freely move (back and forth) about 20 degrees (see Figure 10). If the buckle cannot be freely moved (i.e., there is stiff or no movement), loosen and re-tighten the buckle mounting bolt ensuring the buckle trim cover does not get caught between the buckle and the seat.

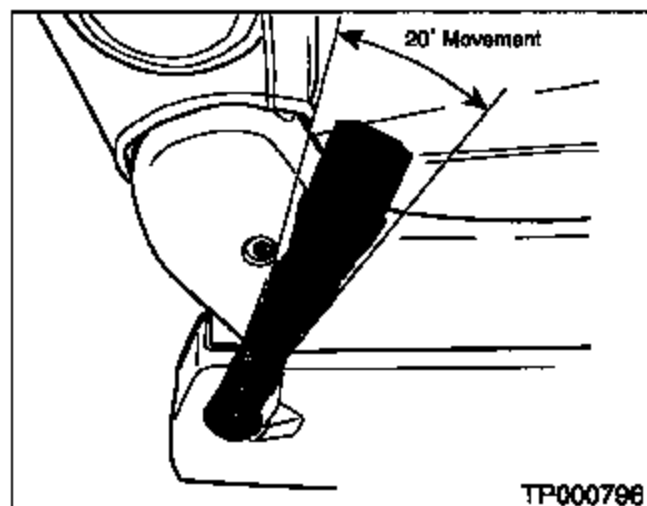


Figure 10

- D. Re-install the trim cover over the seat belt buckle mounting bolt (see Figure 7).
- E. Confirm the seat belt latch plate inserts and correctly latches in the seat belt buckle.
- F. Turn the ignition key to the ON position and confirm:
- The seat belt light (in the instrument panel) illuminates with the driver's seat belt unlatched from the seat belt buckle
 - The seat belt light (in the instrument panel) is not illuminated when the seat belt is latched in the seat belt buckle
5. Re-install the NVES console as follows:
- A. Verify the wire harness (located under the front of the console) is correctly positioned before lowering the console (see Figure 11). Confirming the harness is properly positioned will prevent it from being pinched/damaged.

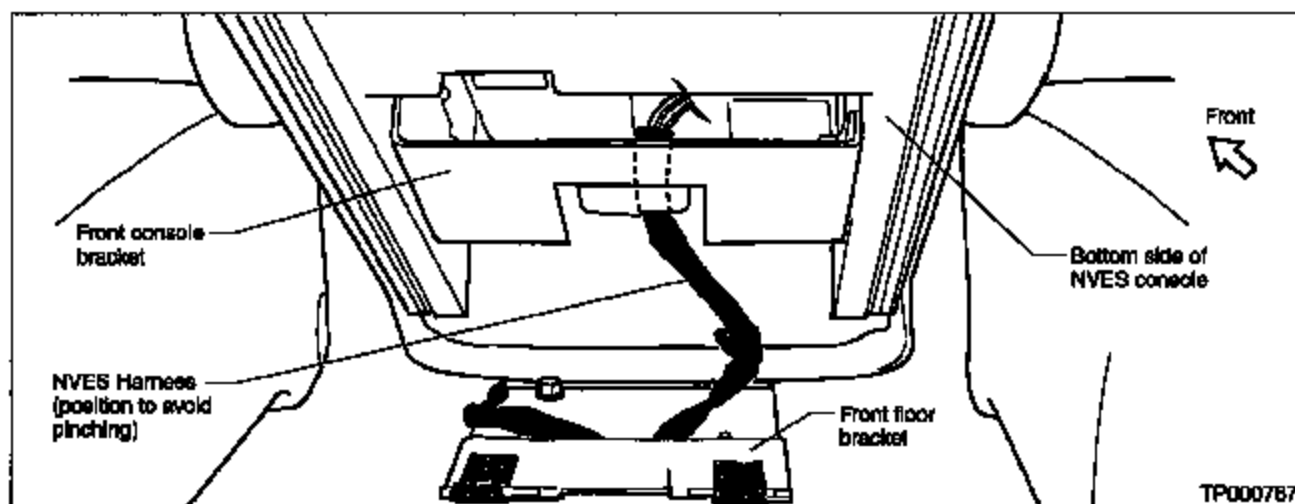


Figure 11

B. Lower the console into place, then slide the console forward to engage the front bracket of the console with the front floor bracket.

CAUTION:

- Make sure the wire harness does not get kinked or pinched between the console and the front mounting bracket (on the floor).
 - If it is difficult to align the bolts in the rear mounting holes and/or if the bolts are difficult to tighten, lift up the console and make sure the harness is not pinched between the console and the floor. Re-route the harness as necessary and re-seat the console.
 - Be careful not to catch the front edge of the console in the carpet opening (in front of the floor bracket).
- C. Gently pull up on the front of the console to make sure it is engaged (secured) in the front mounting bracket.
- D. Re-Install both mounting bolts at the rear of the console.
- E. Re-position the carpet between the front and the second-row seats.
- F. Confirm the VCP operates normally.

2001 Quest Vehicles with Over-Head Monitor NVES (vehicles without a sunroof)

Passenger Front Seat Belt Buckle Replacement

NOTE: Performing step one below (re-positioning the NVES console) will allow you to access the front seat belt buckle mounting bolts.

1. Re-position the Nissan Vehicle Entertainment System (NVES) console, located between the front seats, as follows:
 - A. Locate and remove the security screw, located on the driver's side of the center console near the floor, using a tamper resistant T20 size Torx™ bit (Snap-On P/N TTXR20E or equivalent). See Figure 12.

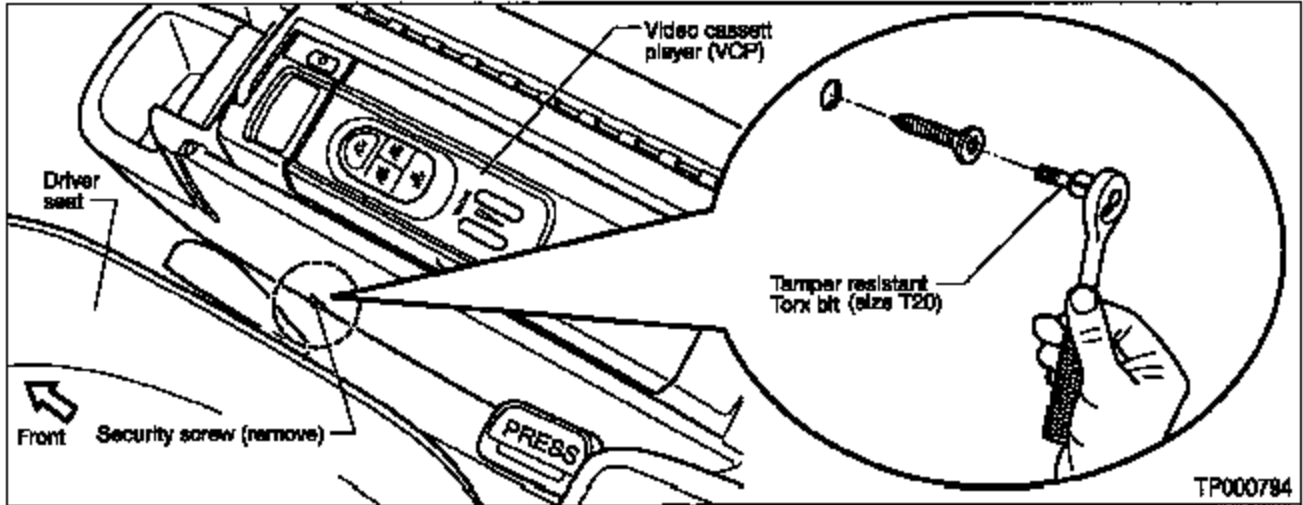


Figure 12

- B. Remove the VCP from the NVES console by first pressing down on the "VCP Release" handle, then lifting the VCP up out of the NVES console (see Figure 13).

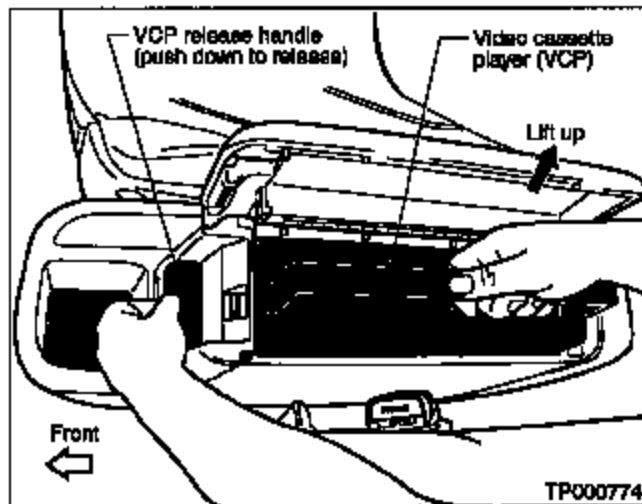


Figure 13

- C. Remove the rubber mat from the front of the NVES console, then remove the four NVES console mounting screws (see Figure 14).

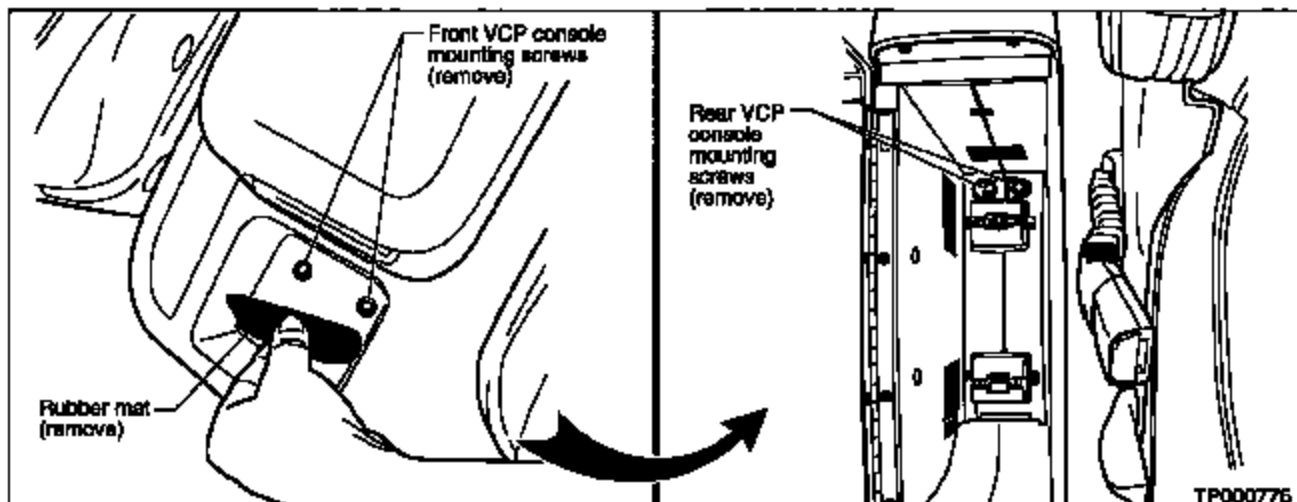


Figure 14

- D. Carefully lift up the NVES console just enough to access the front seat belt buckle mounting bolts.

CAUTION: Do not stretch or pinch the NVES wire harnesses (located under the console) when lifting the console. Also, be careful not to scratch or mar the console.

2. Unscrew (using a Torx-bit #T50) and remove the trim cover over the seat belt buckle mounting bolt (see Figure 15).

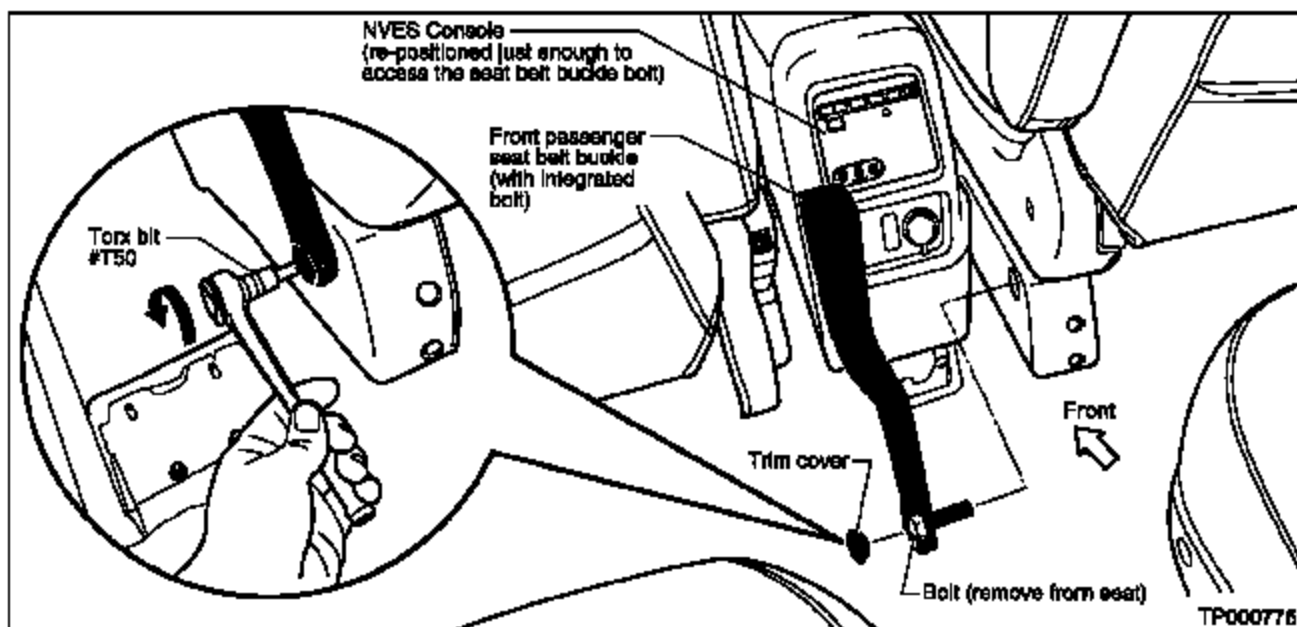


Figure 15

3. Unscrew the bolt and remove the front passenger seat belt buckle (see Figure 15).

4. Install the new seat belt buckle and tighten the mounting bolt to 34 – 46 Nm (3.5 – 4.7 Kg-m, 25.1 – 33.9 ft-lbs). See Figure 16.

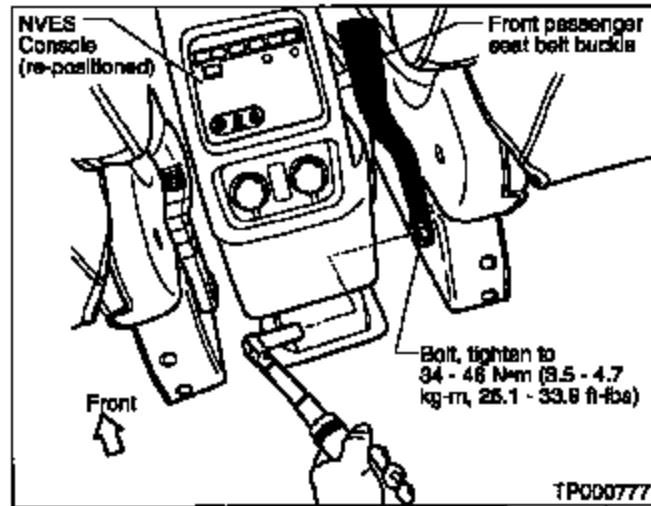


Figure 16

5. Confirm the seat belt buckle can freely move (back and forth) about 20 degrees (see Figure 17). If the buckle cannot be freely moved (i.e., there is stiff or no movement), loosen and re-tighten the buckle mounting bolt ensuring the buckle trim cover does not get caught between the buckle and the seat.

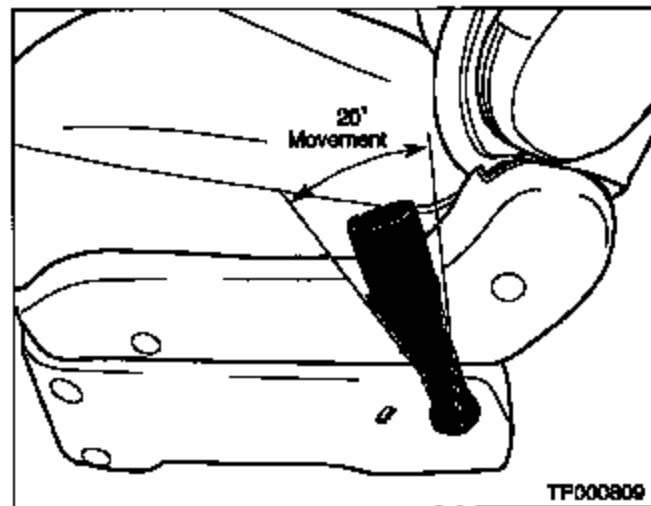


Figure 17

6. Re-install the trim cover over the seat belt buckle mounting bolt (see Figure 15).
7. Confirm the seat belt latch plate inserts and correctly latches in the seat belt buckle.

Driver's Front Seat Belt Buckle Replacement

1. Reach under the driver's front seat and disconnect the seat belt buckle wire harness connector from the vehicle wire harness (see Figure 18).

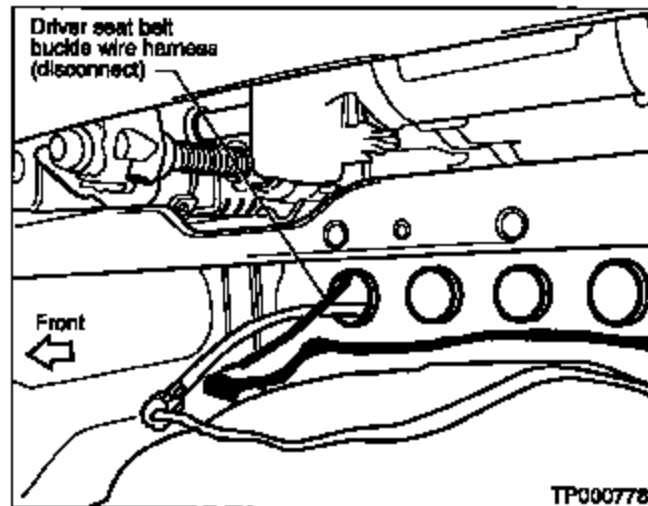


Figure 18

2. Unscrew (using a Torx-bit #T50) and remove the trim cover over the seat belt buckle mounting bolt (see Figure 19).

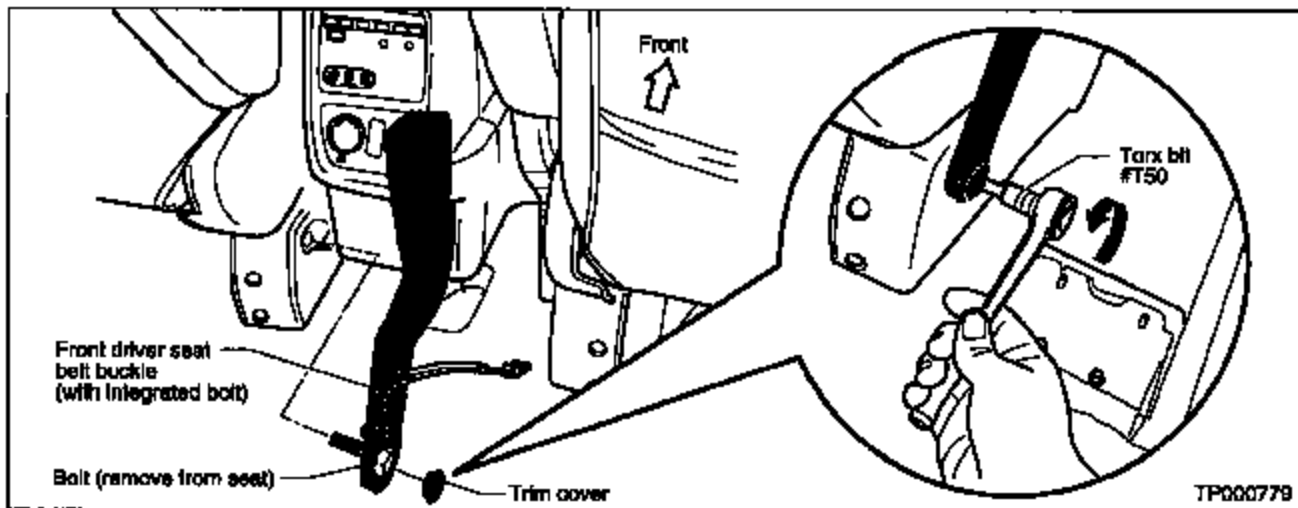


Figure 19

3. Unscrew the bolt and remove the front driver's seat belt buckle (see Figure 19).

4. Install the new seat belt buckle as follows:

- A. Route the seat belt buckle wire harness and connect it to the mating vehicle harness (see Figure 20).

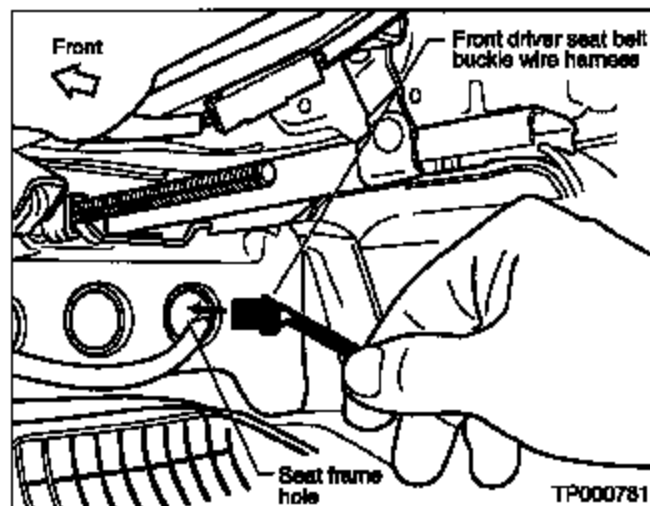


Figure 20

- B. Install the seat belt buckle and tighten the mounting bolt to 34 – 46 Nm (3.5 – 4.7 Kg-m, 25.1 – 33.9 ft-lbs). See Figure 21.

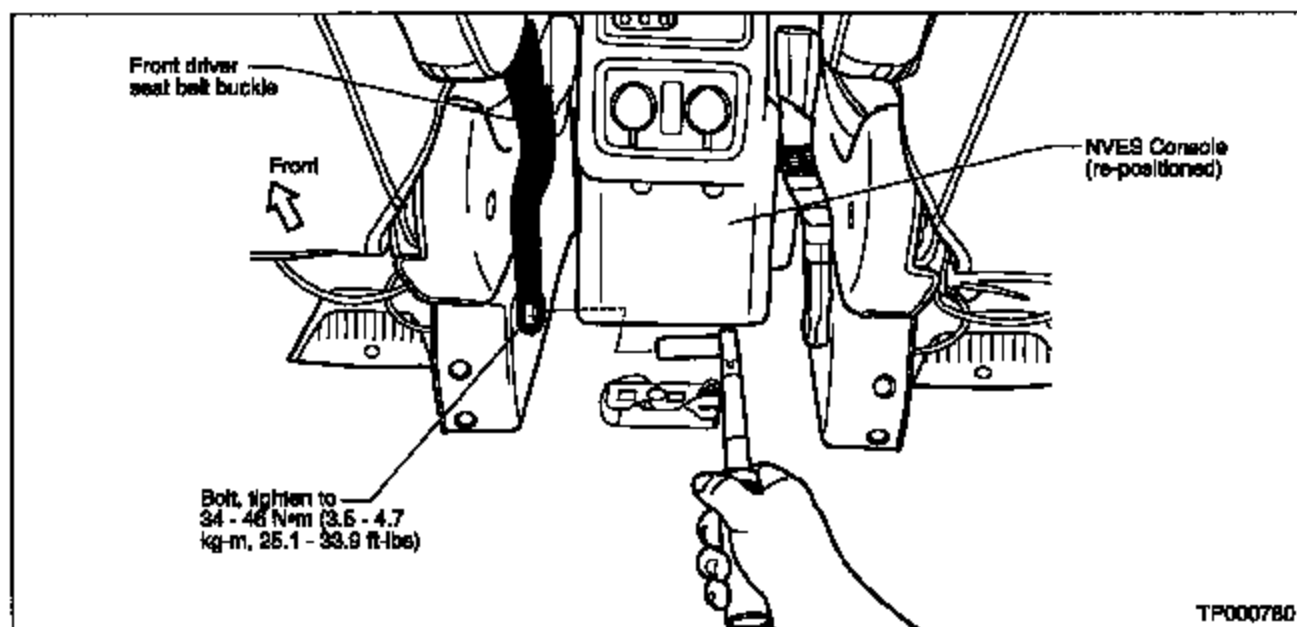


Figure 21

5. Confirm the seat belt buckle can freely move (back and forth) about 20 degrees (see Figure 22). If the buckle cannot be freely moved (i.e., there is stiff or no movement), loosen and re-tighten the buckle mounting bolt ensuring the buckle trim cover does not get caught between the buckle and the seat.

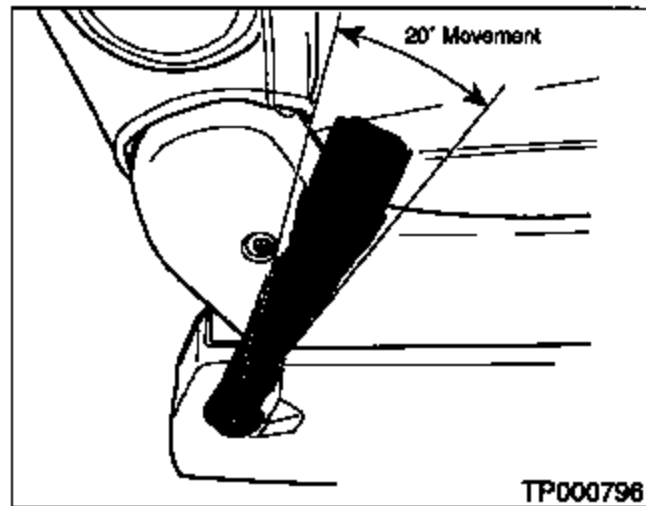


Figure 22

6. Re-install the trim cover over the seat belt buckle mounting bolt (see Figure 19).
7. Confirm the seat belt latch plate inserts and correctly latches in the seat belt buckle.
8. Turn the ignition key to the ON position and confirm:
- The seat belt light (In the instrument panel) illuminates with the driver's seat belt unlatched from the seat belt buckle
 - The seat belt light (In the instrument panel) is not illuminated when the seat belt is latched in the seat belt buckle
9. Re-install the NVES console as follows:
- A. Verify the wire harnesses (located under the console) are correctly positioned before lowering the console (see Figure 23). Confirming the harnesses are properly positioned will prevent them from being pinched/damaged.

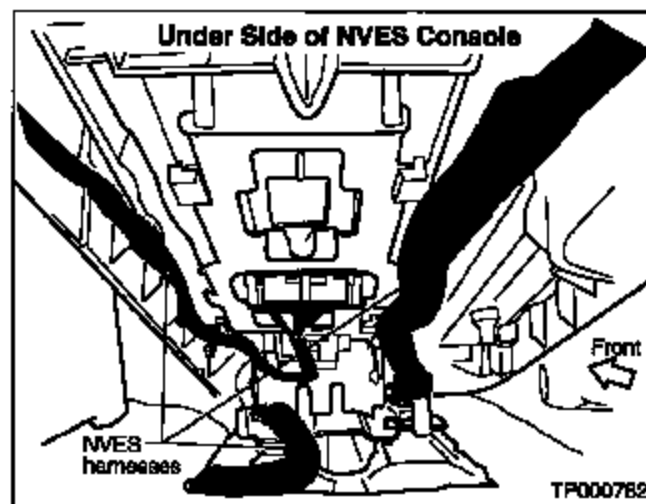


Figure 23

B. Lower the console into place and re-install the mounting screws.

CAUTION:

- Make sure the wire harnesses do not get kinked or pinched between the console and the mounting brackets (on the floor).
 - If it is difficult to align the front or rear mounting bolts and/or if the bolts are difficult to tighten, lift up the console and make sure the harnesses are not pinched between the console and the floor. Re-route the harness as necessary and re-seat the console.
- C. Re-install the black rubber mat in the front of the console.
- D. Re-Install the VCP and the VCP security screw.
- E. Confirm the VCP operates normally.

PARTS INFORMATION

DESCRIPTION	PART NUMBER	QUANTITY
Passenger Front Seat Belt Buckle (Mocha)	86822-2Z325	1
Passenger Front Seat Belt Buckle (Slate)	86822-2Z326	1
Driver's Front Seat Belt Buckle (Mocha)	86823-2Z325	1
Driver's Front Seat Belt Buckle (Slate)	86823-2Z326	1

CLAIMS INFORMATION

Submit a Campaign (CM) line claim using the following claims coding information:

Campaign I.D.: B0091

DESCRIPTION	OP CODE	FRT
Remove and Replace First Row Driver-Side and Passenger-Side Seat Belt Buckle Assemblies	B00910	0.4 hrs

OWNER'S LETTER

Dear Nissan owner:

This notice is sent to you in accordance with the requirements of the National Traffic and Motor Vehicle Safety Act. Nissan has determined that a defect relating to motor vehicle safety exists in some 2001 model year Nissan Quest vehicles.

Reason for Recall

On some 2001 model year Nissan Quest vehicles, there is a possibility that the bolt attaching the front seat belt buckle to the seat frame may not have been installed properly. If the bolt loosens, the buckle could pull out of its attachment in the event of a severe crash and increase the risk of injury.

What Nissan Will Do

Your Nissan dealer will replace affected seat belt buckles at no charge to you. This free service should take about one hour to complete, but your Nissan dealer may require your vehicle for a longer period of time based upon their work schedule, or parts availability.

What You Should Do

Contact your Nissan dealer at your earliest convenience in order to arrange an appointment to have your vehicle repaired. Please bring this notice with you when you keep your service appointment. Instructions have been sent to your Nissan dealer. If the dealer fails, or is unable to make the necessary repairs free of charge, you may contact the National Consumer Affairs Office, Nissan North America, Inc. at P.O. Box 191, Gardena, California 90248-0191. The toll free number is 1-800-NISSAN1 (1-800-647-7261). If you reside in Hawaii, please call 1-808-836-0888.

You may also contact the Administrator of the National Highway Traffic Safety Administration, 400 Seventh Street SW, Washington, D.C. 20590 or call the toll free Safety Hotline at (888) 327-4236.

Thank you for your cooperation. We are indeed sorry for any inconvenience this may cause you.