

## CERTAIN 2018-2020 MODEL YEAR EXPEDITION AND NAVIGATOR VEHICLES — FRONT SEATBELT RETRACTOR DATE CODE INSPECTION

### SERVICE PROCEDURE

1. Position the front door weatherstrip aside. See Figure 1.

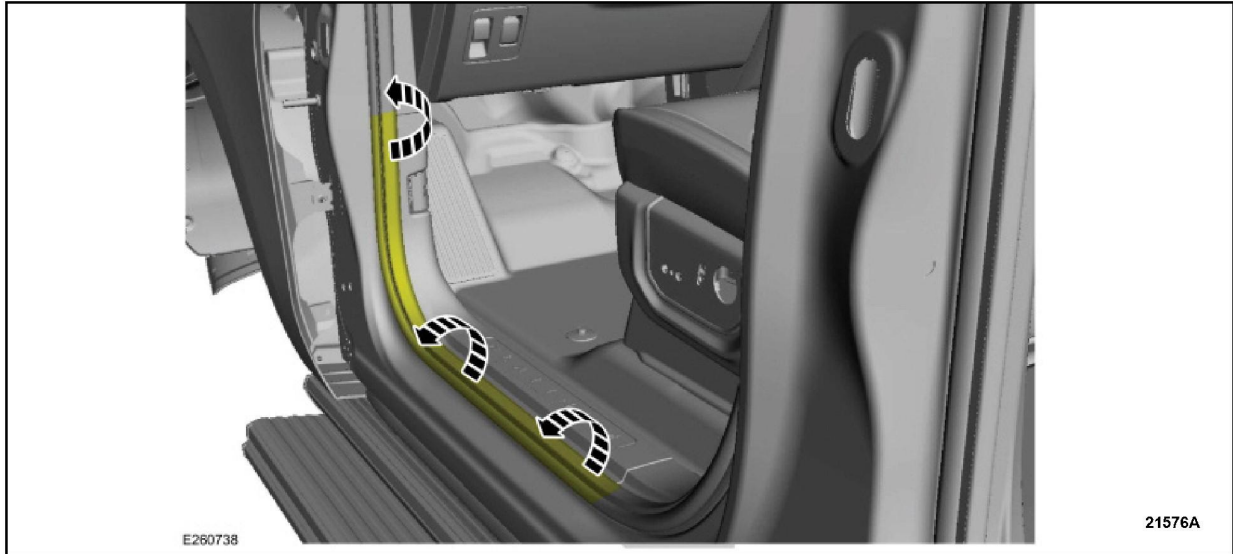


FIGURE 1

2. Release the clips and remove the front door scuff plate trim panel. See Figure 2.

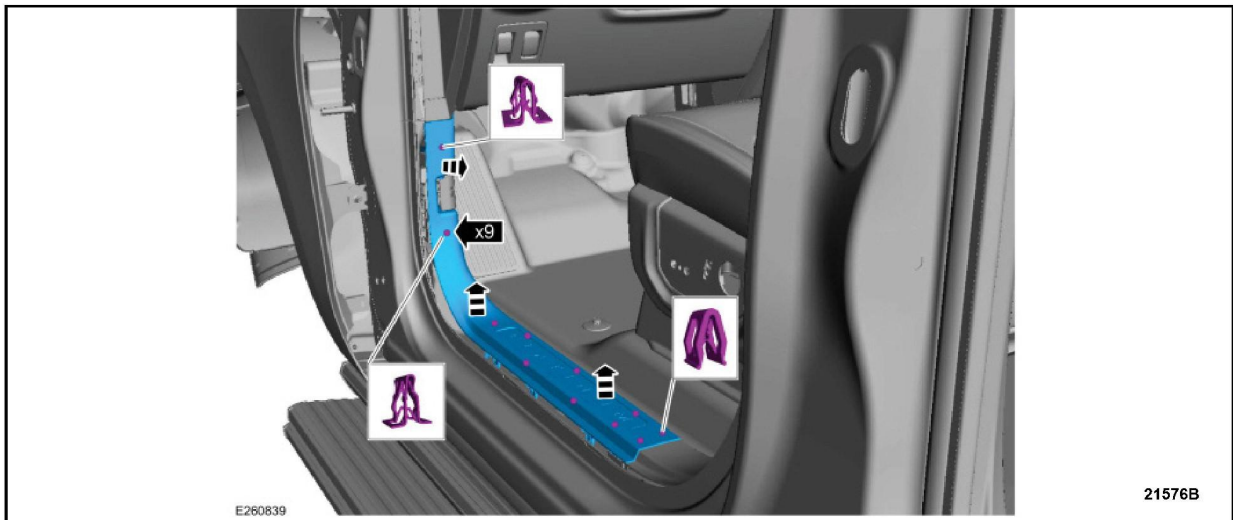
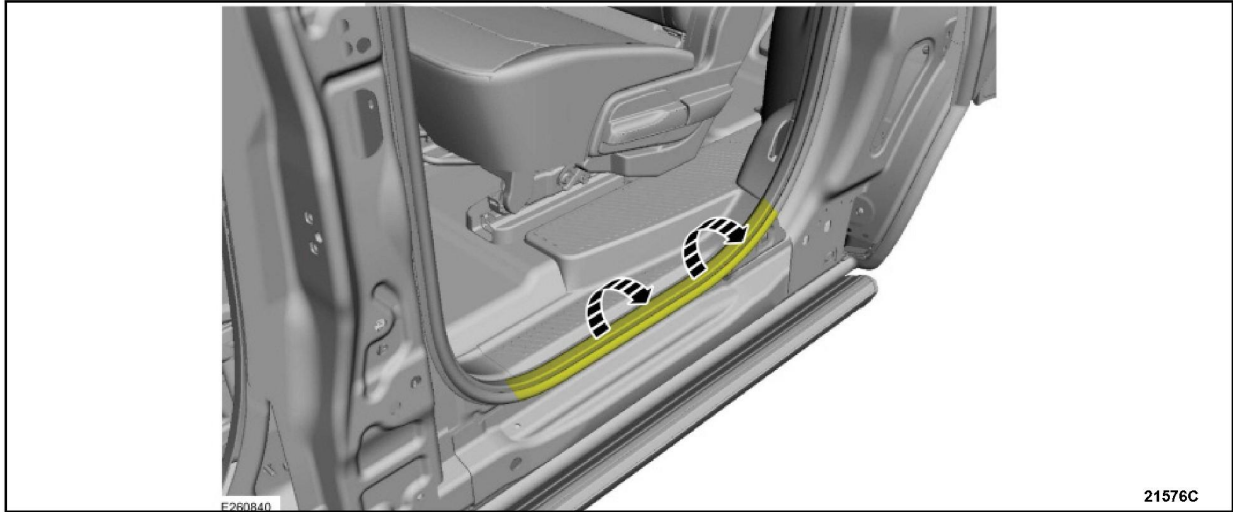


FIGURE 2

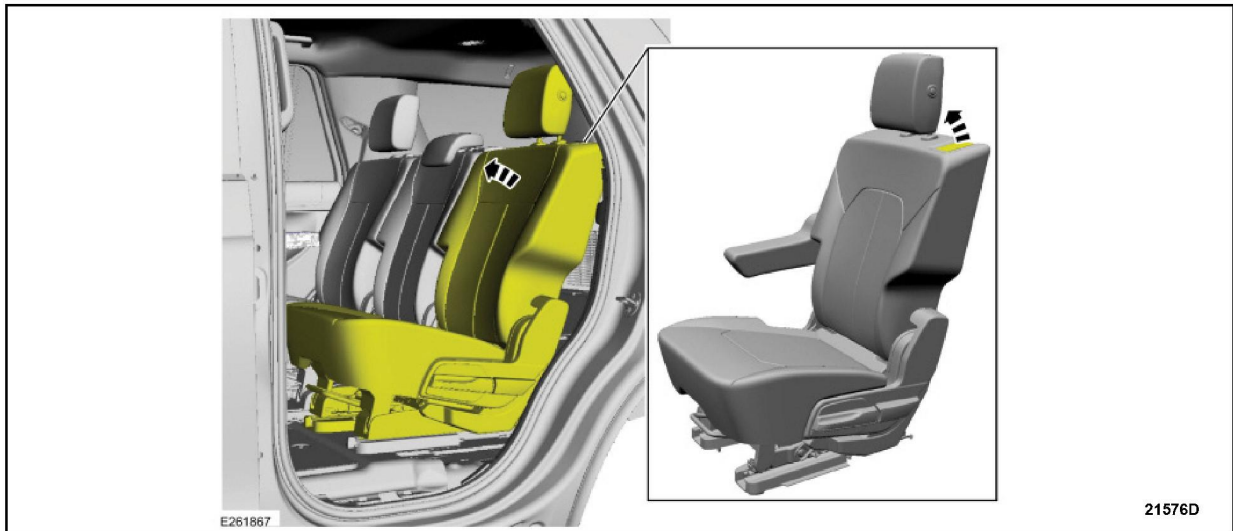


3. Position the rear door weatherstrip aside. See Figure 3.



**FIGURE 3**

4. Position the second row seat forward. See Figure 4.

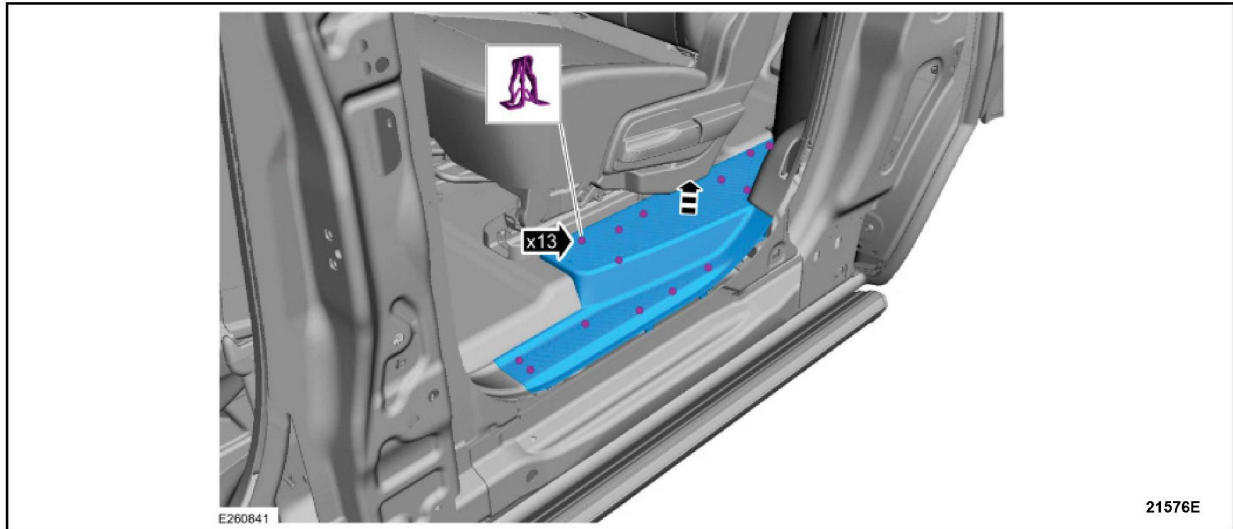


**FIGURE 4**



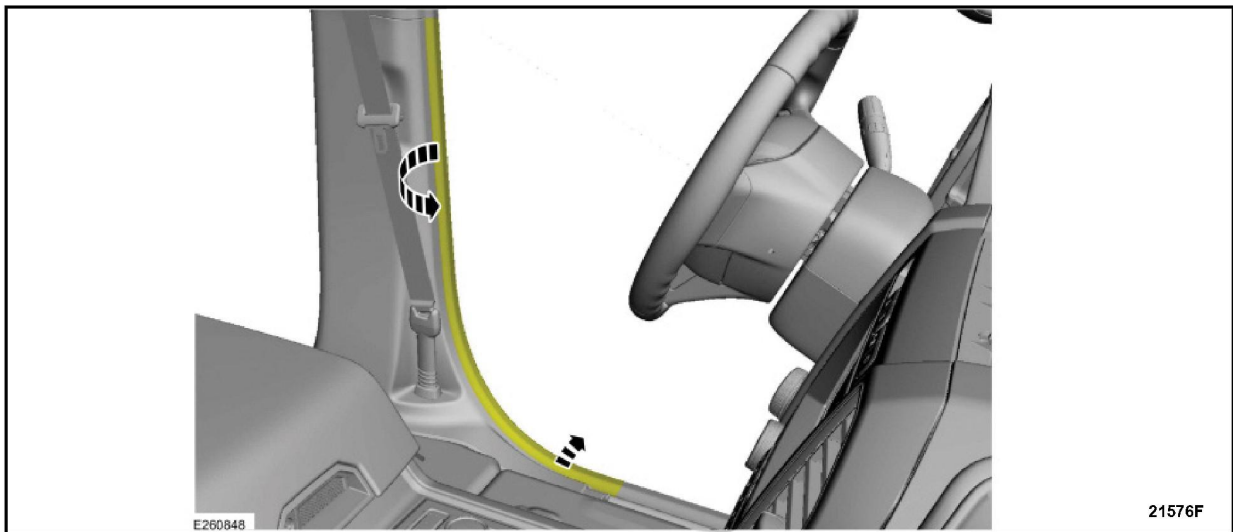
5. Release the clips and remove the rear door scuff plate trim panel. See Figure 5.

**NOTE:** Long wheelbase shown, short wheelbase similar.



**FIGURE 5**

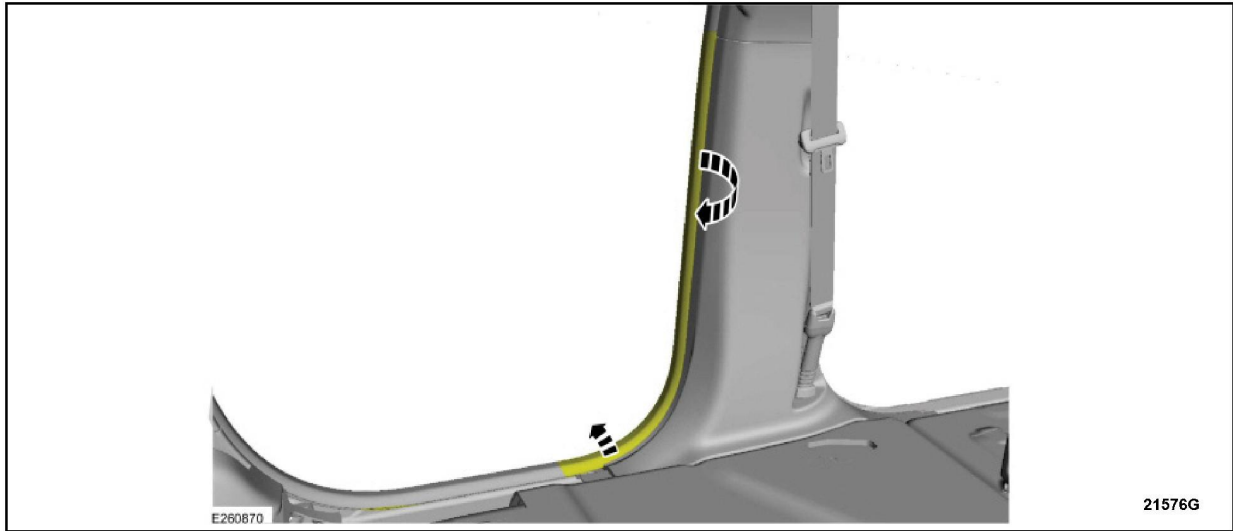
6. Position the front door weatherstrip aside. See Figure 6.



**FIGURE 6**



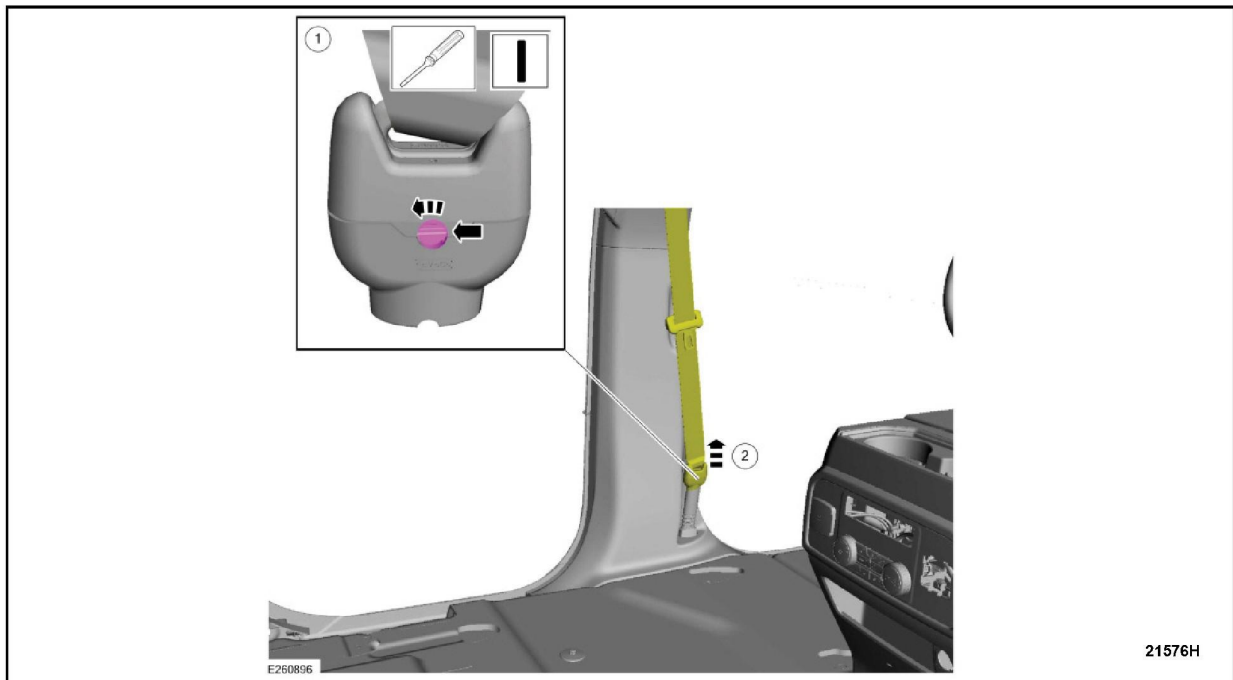
7. Position the rear door weatherstrip aside. See Figure 7.



**FIGURE 7**

8. Press in on the release button and disconnect the front seatbelt retractor from the front seatbelt anchor pretensioner. See Figure 8.

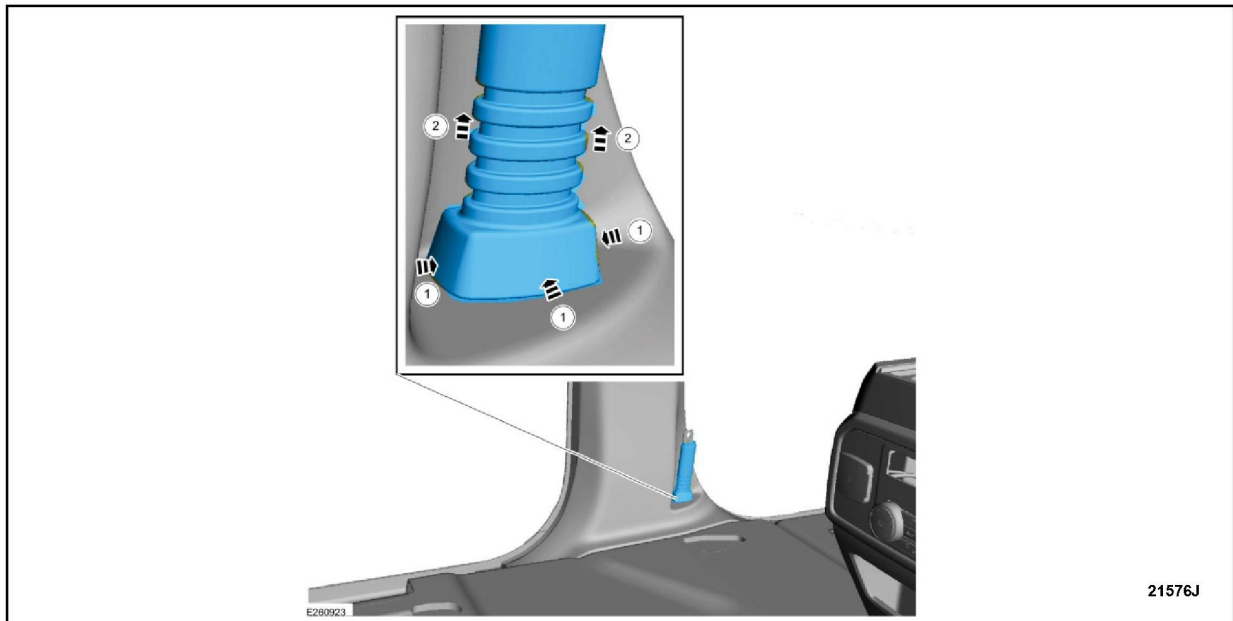
Use the General Equipment: Flat-Bladed Screwdriver



**FIGURE 8**

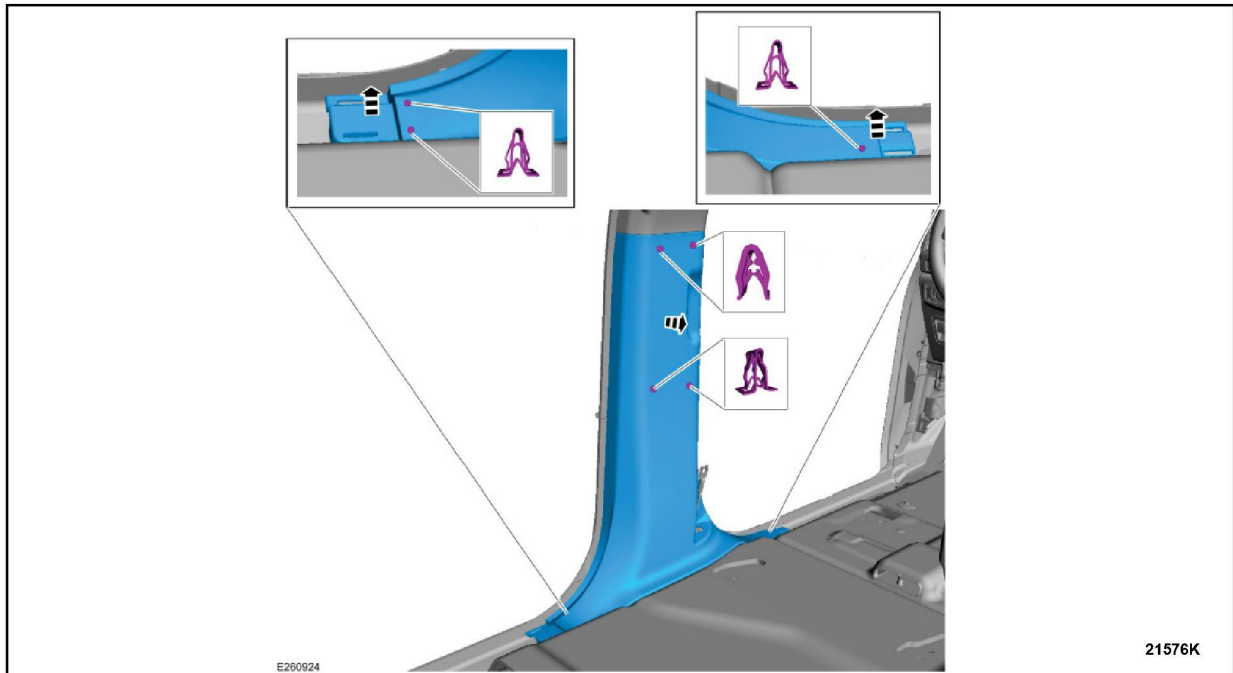


9. Press in on the sides of the front seatbelt anchor pretensioner boot, then lift up and remove the front seatbelt anchor pretensioner boot. See Figure 9.



**FIGURE 9**

10. Release the clips and remove the lower B-pillar trim panel. See Figure 10.



**FIGURE 10**

11. Repeat steps 1 through 10 on the other side of the vehicle.



12. Locate the part label sticker on the back of the Left-Hand (LH) and Right-Hand (RH) front seatbelt retractors. See Figure 11.

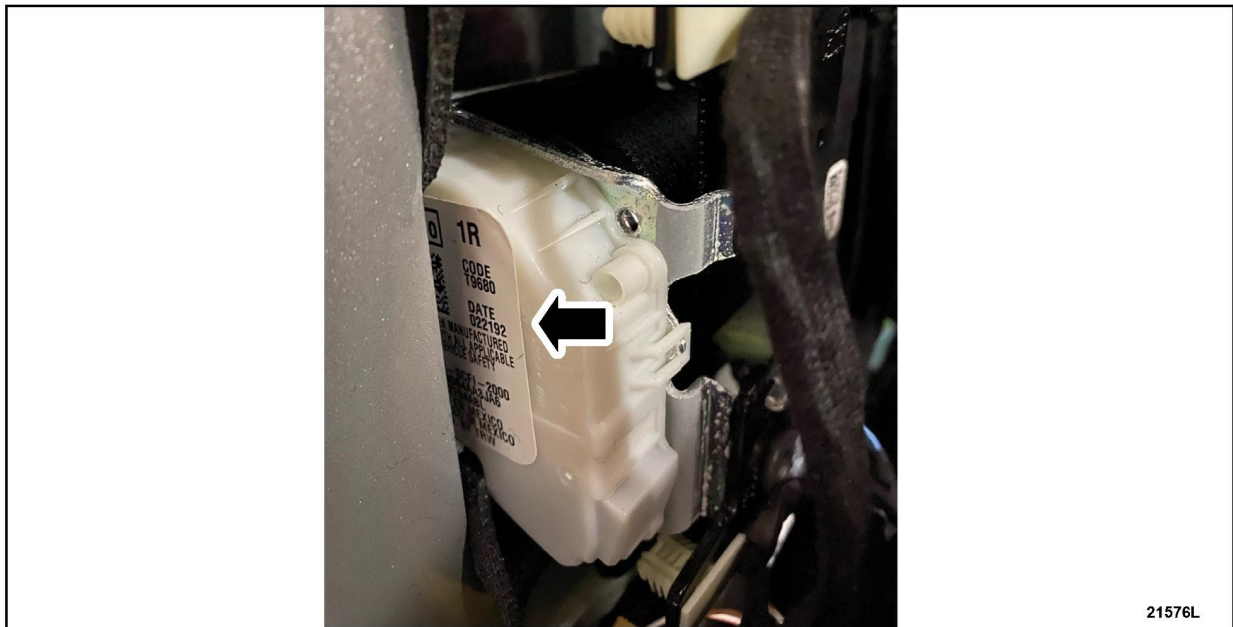


FIGURE 11

13. Locate the date code on both the LH and RH front seatbelt retractors. See Figure 12.



FIGURE 12



14. Do either the LH or RH front seatbelt retractor date codes match any of the following date codes listed in the chart below?

**NOTE: The 3rd digit and the 6th digit of the date codes do NOT need to match.**

Yes - Replace the front seatbelt retractor(s) that have the suspect date codes. Follow the Workshop Manual (WSM) procedures in Section 501-20A.

No - Replacement is not needed. Reinstall the lower B-pillar trim panels by reversing steps 1 through 10, then continue to step 15.

01*19*	11*19*	21*19*	34*18*	44*18*
02*19*	12*19*	22*19*	35*18*	45*18*
03*19*	13*19*	23*19*	36*18*	46*18*
04*19*	14*19*	24*19*	37*18*	47*18*
05*19*	15*19*	25*19*	38*18*	48*18*
06*19*	16*19*	26*19*	39*18*	49*18*
07*19*	17*19*	27*19*	40*18*	50*18*
08*19*	18*19*	31*18*	41*18*	51*18*
09*19*	19*19*	32*18*	42*18*	52*18*
10*19*	20*19*	33*18*	43*18*	

15. Check the active restraint system for correct operation. Refer to Diagnosis and Testing in Section 501-20A.

**IMPORTANT NOTE: Federal law prohibits selling motor vehicle parts or components that are under safety, compliance, or emissions recall. Unless a part is requested to be returned to Ford, all parts replaced under this FSA must be scrapped in accordance with all applicable local, state and federal environmental protection and hazardous material regulations. Refer to the Parts Retention, Return, & Scrapping section of the FSA dealer bulletin for further information.**

