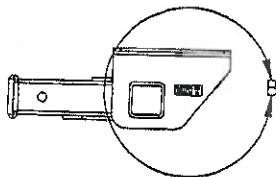
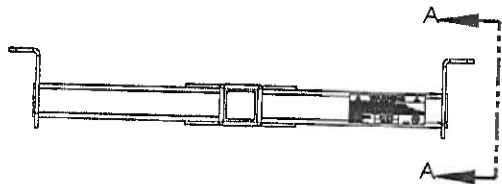
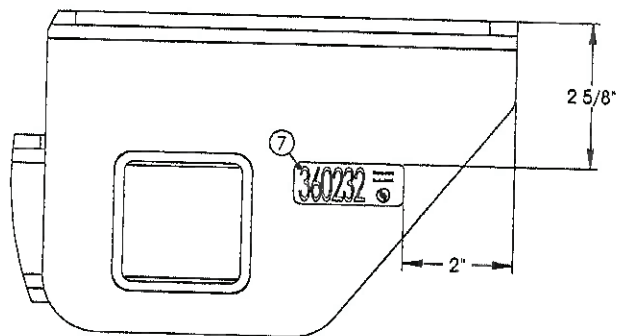


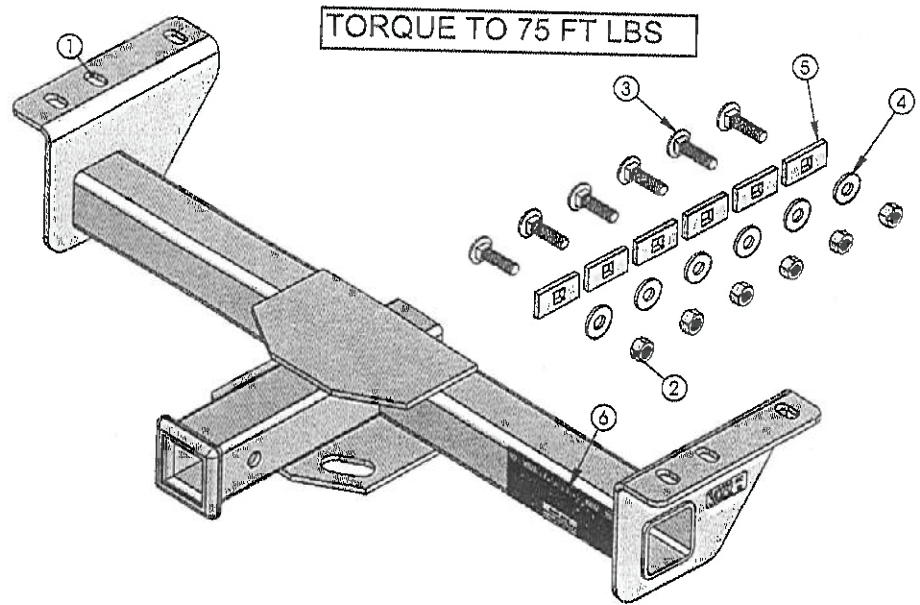
REVISION HISTORY				
REV	DATE	DESCRIPTION	DWR	APVO
A	8/8/2014	RELEASED TO PRODUCTION.	MJF	AS



SECTION A-A
SCALE 1 : 8



DETAIL B
SCALE 1 : 2




ITEM	PART NO.	CONFIG	DESCRIPTION	NAME	GA	QTY.
1	328659	Default	WELDMENT, 2" HITCH RECIEVER, 31 11/16 ON CENTER, BLACK	SUB ASSY		1
2	118610	Default	NUT - 1/2 - 13, HEX, GRS ZINC	FASTENER		6
3	346260	Default	BOLT - 1/2 - 13 X 1 3/4 CB GRS ZN FTNP ST	FASTENER		6
4	122802	Default	WASHER - 1/2 BVSW YELZN 1050/1055 HR	FASTENER		6
5	346254	1	2" X 1 1/16" CL ZN	PLT	1/4	6
6	358733	Default	LABEL - 8K GT / 500 LB TONGUE HITCH WEIGHT RATING	PURCH		1
7	360234	Default	360232 KIT LABEL	PLT		1

NOTE: 8K ASSEMBLY, 2" HITCH RECEIVER, 31 11/16 ON CENTER

UNLESS OTHERWISE SPECIFIED:
 1. ALL DIMENSIONS ARE IN INCHES BREAK SHARP EDGES & DEBURR
 2. MATERIAL & FINISH TO BE AS NOTED OR SUBSTITUTED WITH AN APPROVED AND TESTED EQUIVALENT

TOLERANCES (EXCEPT AS NOTED)
 DECIMAL .XX ±.03
 .XXX ±.005
 FRACTIONAL 1/16
 ANGULAR ±1°

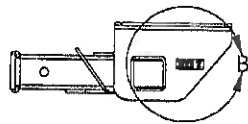
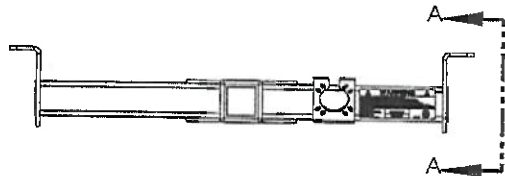
UPPER COMPONENTS

 2763 COLLEGE AVE
 GOSHEN, IN 46526

THE INFORMATION CONTAINED IN THIS DRAWING IS THE SOLE PROPERTY OF UPPER COMPONENTS, INC. ANY REPRODUCTION IN PART OR AS A WHOLE WITHOUT THE WRITTEN PERMISSION OF UPPER COMPONENTS, INC. IS PROHIBITED.

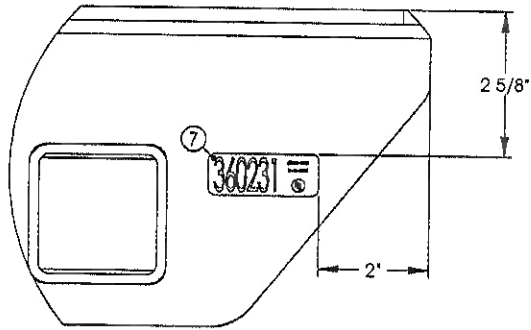
DWG. NO. 360232
 SIZE B
 DATE: 08/08/2014
 SCALE: 1:4
 REV. A

ENG MJF DWR MJF SHEET 1 OF 1

REVISION HISTORY				
REV	DATE	DESCRIPTION	DWR	APVD
A	8/8/2014	RELEASED TO PRODUCTION.	MJF	AS

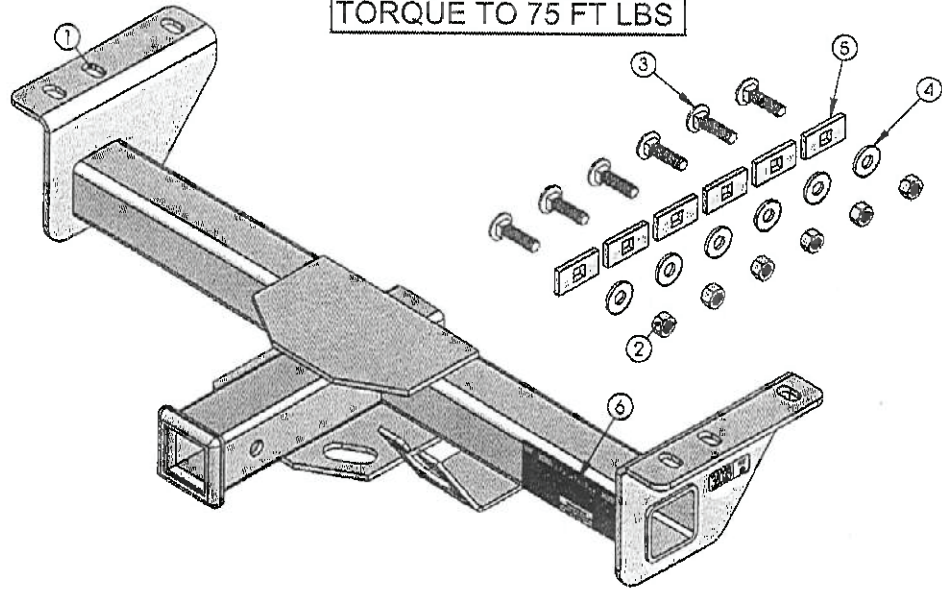


SECTION A-A
SCALE 1 : 8



DETAIL B
SCALE 1 : 2

TORQUE TO 75 FT LBS



ITEM	PART NO.	CONFIG	DESCRIPTION	NAME	QA	QTY.
1	328668	Default	WELDMENT, 2" HITCH RECEIVER W/ MOUNT, 31 11/16 ON CENTER, BLACK	SUB ASSY		1
2	118610	Default	NUT - 1/2 - 13; HEX; GR5 ZINC	FASTENER		6
3	346260	Default	BOLT - 1/2 - 13 X 1 3/4 CB GR5 ZN FTNP ST	FASTENER		6
4	122802	Default	WASHER - 1/2 BVSW VELZIN 1060/1055 HR	FASTENER		6
5	346254	Default	2" X 1 1/16"	PLT	1/4	6
6	358933	Default	LABEL - 8K GT / 500 LB TONGUE HITCH WEIGHT RATING	PURCH		1
7	360233	Default	360231 KIT LABEL	PLT		1

TITLE: 8K ASSEMBLY, 2" HITCH RECEIVER W/ MOUNT, 31 11/16 ON CENTER						
UNLESS OTHERWISE SPECIFIED: 1. ALL DIMENSIONS ARE IN INCHES BREAK SHARP EDGES & DEBURR 2. MATERIAL & FINISH TO BE AS NOTED OR SUBSTITUTED WITH AN APPROVED AND TESTED EQUIVALENT		TOLERANCES (EXCEPT AS NOTED)	UPPER COMPONENTS	THE INFORMATION CONTAINED IN THIS DRAWING IS THE SOLE PROPERTY OF UPPER COMPONENTS, INC. ANY REPRODUCTION IN PART OR AS A WHOLE WITHOUT THE WRITTEN PERMISSION OF UPPER COMPONENTS, INC. IS PROHIBITED		
DECIMAL .X ±.1 .XX ±.03 .XXX ±.005	DECIMAL .X ±.1 .XX ±.03 .XXX ±.005	FRACTIONAL ±1/16	ANGULAR ±1°	DWG. NO. 360231	SIZE B	DATE: 08/08/2014
FILETS R.015	FINISH 125			SCALE: 1:4		REV. A
TRADE ANGLE PROJECTION				ING MJF	DWR MJF	9/16 1 OF 1