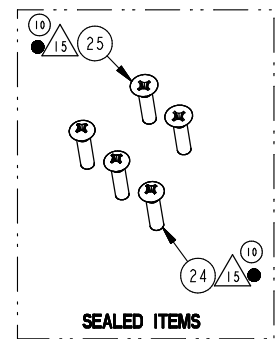
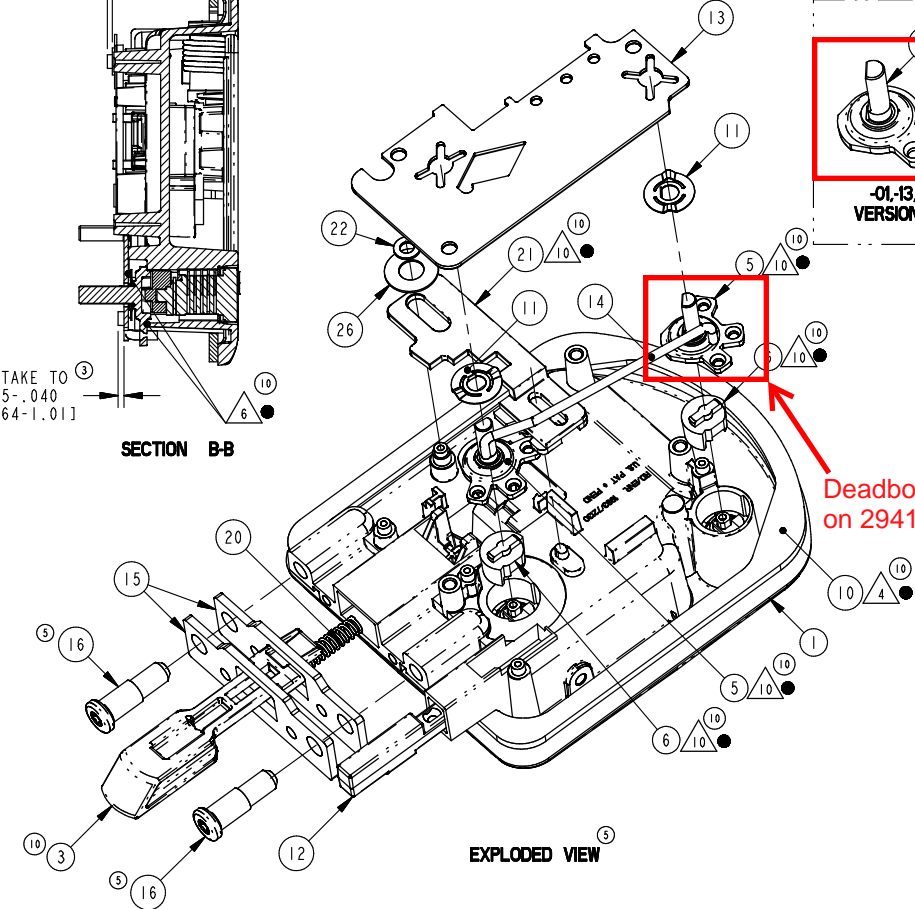
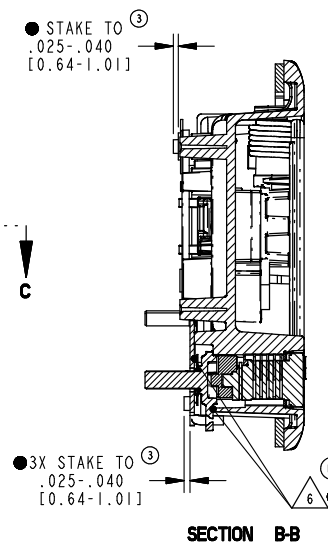
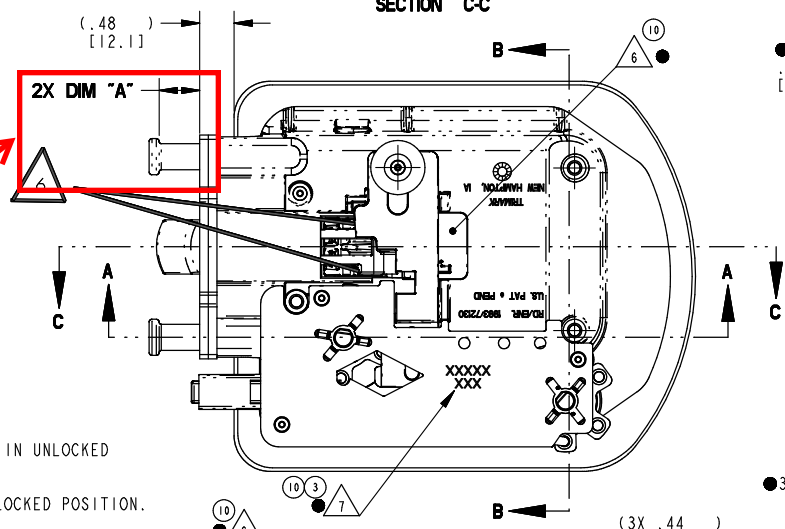
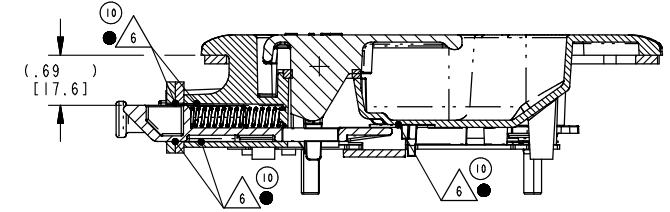


ITEM 1	ITEM 2	ITEM 3	ITEM 4	ITEM 5	ITEM 6	ITEM 7	ITEM 8	ITEM 9	ITEM 10	ITEM 11	ITEM 12	ITEM 13	ITEM 14	ITEM 15	ITEM 16	ITEM 17	ITEM 18	ITEM 19	ITEM 20	ITEM 21	ITEM 22	ITEM 23	ITEM 24	ITEM 25	ITEM 26	ITEM 27	ITEM 28	ITEM 29	ITEM 30	FINISH	KEYS SUPPLIED	PART MARKING	
DESCRIPTION	HOUSING	PADDLE	PLUNGER	ACTUATOR	ACTUATOR	LKCYL	LKCYL	SEAL	GASKET	SPRING	DEADBOLT	PLATE	ROD	PLATE	PIN	SPRING	BUSHING	PIN	SPRING	ARM	WASHER	PLUG	SCREW	SCREW	WASHER	ZIP TIE	KEY	RING	ACTUATOR	(FOR REFERENCE ONLY)	"A"	YES/NO	
29412-01 060-1650_ASSY_LGB_KR	29383-01	29384-01		29387-01		16014-14-1000	16014-25-2000	16025-01							25320-01													29394-01	PAINT, BLACK, LOW GLOSS	(.560)	YES		
29412-02 060-1650_ASSY_LGB_KR	29383-02	29384-02				16014-01-1160									29399-01															(.485)	YES		
29412-03 060-1650_ASSY_LGB_1160_KR						16014-01-1160									25320-01															(.560)	YES		
29412-04 060-1650_ASSY_LGB_KA_SET	29383-01	29384-01				19600-11-2000									25320-01															(.560)	NO		
29412-05 060-1650_ASSY_LGB_1160_NLKCYL						16014-01-1160		16025-01							29399-01															(.560)	NO		
29412-06 060-1650_ASSY_CNC_NO_LKCYL	29383-02	29384-02				N/A	N/A	N/A							25320-01															(.560)	NO		
29412-07 060-1650_ASSY_LGB_KR_SHT_PINS_SCREWS				29387-01											22029-01	22030-01																YES	
29412-08 060-1650_ASSY_LGB_KR_SHT_PINS			38651-01	29387-01	22453-01	16014-14-1000	16014-25-2000	16025-01	29388-01	80895-39	11700	29401-01	29393-01	25321-01	29399-01															(.485)	YES		
29412-09 060-1650_ASSY_LGB_KR_STL_PLGR_SHT_PINS															18298-01																	YES	
29412-10 060-1650_ASSY_LGB_KR_NLKCYL_SHT_PINS	29383-01	29384-01				N/A		16025-01							18298-01																	YES	
29412-11 060-1650_ASSY_LGB_KA_SHT_PINS_SCREWS						16014-01-1160	16014-01-1160																					16169-02-1160	30637-01			YES	
29412-12 060-1650_ASSY_LGB_KR_SHT_PINS_SCREWS						16014-14-1000	16014-25-2000																									YES	
29412-13 060-1650_ASSY_LGB_KR_SHT_PINS				29387-01		N/A	N/A	N/A							18298-01																	NO	
29412-14 060-1650_ASSY_LGB_KR_SHT_PINS			29412-14			19600-15-3000		16025-01																				29394-01				YES	

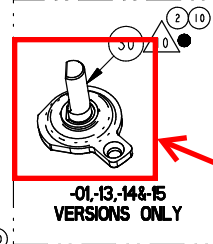
REV	DATE	DESCRIPTION
1	RLSE 3/13/14	RELEASED FOR PRODUCTION
2	38598 08/17/14	CORRECTED BALLOON FOR ITEM 30 AND STAKING DIMENSIONS.
3	38810 02-19-15	REVISED STAKE DIMENSIONS SECTION B-B; 025-.040 WAS .030-.050 (2 PL). UPDATED PART MARK COLUMN, NOTE 14 (ZIP-TIE INSTRUCTIONS), PART MARK, ADDED NOTE 16. SHEET 2; REVISED ZIP-TIE LOCATION AND VIEW.
4	38943 06-16-15	SHEET 2; UPDATED GASKET (ITEM 10) MODEL GEOMETRY AND LOCATION ORIENTATION (EXPLODED VIEW). UPDATED PART WEIGHT, REMOVED SURFACE AREA.
5	39152 11-10-15	EXPLODED VIEW; REMOVED FLAG-NOTE 11 FROM PIN (ITEM 16) BALLOON (2 PLACES). DELETED NOTE 11 & 16. ADDED EXPLODED VIEW TITLE.
6	39306 02-28-16	-05 VERSION (ITEM 16); 29399-01 WAS 25320-01. UPDATED -05 MODEL.
7	39807 09-31-16	VERSION-14 AND -15 ADD TO BOM TABLE; VERSION-14 IS VERSION-13 REMOVE LOCK CYLINDER AND SEAL, ADD PLUG; VERSION-15 IS VERSION-14 REMOVE PLUG, ADD 19600-15-3000 LOCK CYLINDER AND SEAL.
8	39975 12-4-17	VERSION -15 ITEM 8 REMOVED.
9	40302 12-12-18	BOM; 38651-01 (ITEM 3) WAS 29385-01/29395-01; 29392-01 (ITEM 20) WAS 29389-01/29392-01.
10	61266 2022-01-13	UPDATED: VIEWS (ITEM 3), DESCRIPTIONS, NOTE (6) (LUBE). DELETED: ITEM 4, NOTE (8). ADDED: ASM DOTS AT NOTEFLAGS, (FOR REFERENCE ONLY) TO FIN.



• 29412-01 uses a pin length of .560"
 • 29412-08 and 29412-13 uses a pin length of .485"

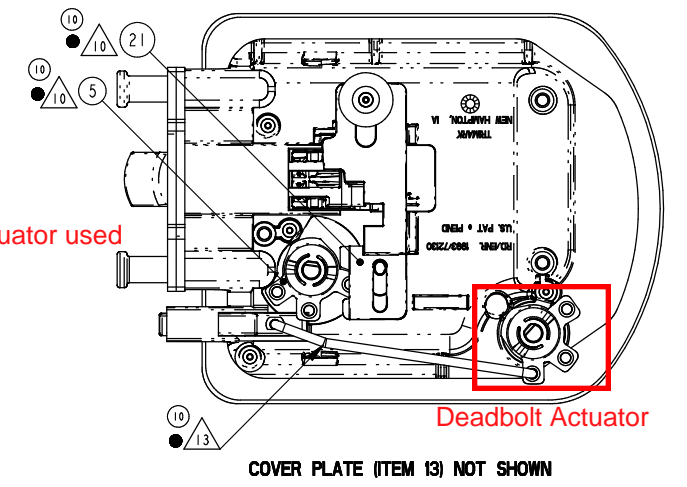


-08 and -13 ONLY
 PPD 805
 ENG KPE
 EFF DATE 06/21/22



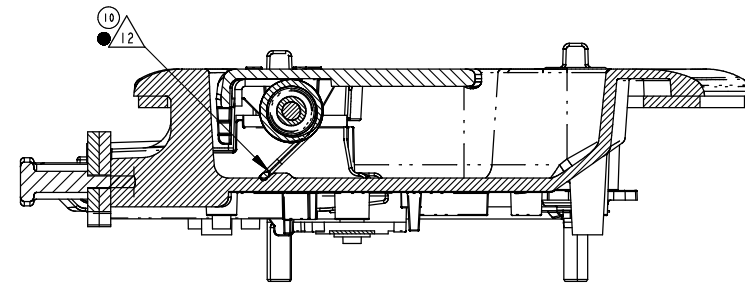
Deadbolt Actuator used on 29412-01 and 29412-13

Deadbolt Actuator used on 29412-08



- NOTES: UNLESS OTHERWISE SPECIFIED;
- ASSEMBLY SHOWN AND SHIPPED WITH DEADBOLT (ITEM 12) IN UNLOCKED POSITION AND MAIN LOCK IN LOCKED POSITION.
 - PADDLE (ITEM 2) LOCKED RIGID WHEN MAIN LOCK IS IN LOCKED POSITION.
 - ASSEMBLY TO BE POLY BAGGED.
 - GASKETS (ITEM 10) TO BE ASSEMBLED TO HOUSING (ITEM 1) AS SHOWN.
 - ASSEMBLE SPRING (ITEM 17) TO PADDLE LEG (ITEM 2) AS SHOWN PRIOR TO PINNING WITH PINS (ITEM 19).
 - LUBRICANT PER ES-181A TO BE APPLIED TO THE FOLLOWING AREAS SHOWN: BETWEEN POST ACTUATORS (ITEM 5 & 30) AND HOUSING (ITEM 1) BETWEEN SPRINGS (ITEM 11) AND COVER PLATE (ITEM 13) ON ALL FOUR SIDES OF PLUNGER (ITEM 3) BACK OF HOUSING (ITEM 1) WHERE PLUNGER (ITEM 3) SLIDES BETWEEN THE PADDLE LEGS (ITEM 2) AND THE PLUNGER (ITEM 3).
 - IDENTIFY ASSEMBLY WITH PART NUMBER AND DATE CODE APPROXIMATELY AS SHOWN OR IN OTHER APPROVED LOCATIONS AS OUTLINED IN ES-121.
 - PIN (ITEM 19) TO BE FLUSH WITH OR RECESSED TO HOUSING (ITEM 1).
 - ACTUATORS (ITEMS 5, 6, & 30) AND LOCK ARM (ITEM 21) MUST BE INSTALLED IN POSITION SHOWN.
 - ONCE PINNED, SLIDE SPRING LEG (ITEM 17) OFF PADDLE LEG (ITEM 2).
 - NOTE BEND ON ROD (ITEM 14). ROD MUST BE ASSEMBLED AS SHOWN.
 - ASSEMBLE KEYS (ITEM 28) TO RING (ITEM 29) FOR -11 VERSION. KEYS ARE TO BE TUCKED UNDER PADDLE FOR VERSIONS -01 THRU -07, -09, & -11 THRU -13. FOR VERSIONS -08 & -10, KEYS ARE TO BE SECURED TO PADDLE WITH ZIP TIE (ITEM 27) THROUGH THE KEY HOLES AND NOT KEY RING APPROXIMATELY AS SHOWN. IT IS CRITICAL THE ZIP-TIE (ITEM 27) BE PLACED ABOVE THE LOCKCYLINDER (ITEM 7) AREA OF THE PADDLE (ITEM 2) AS SHOWN ON SHEET 2; -08 & -10 VERSION VIEW.
 - FASTENERS (ITEMS 24 & 25) TO BE SEALED IN THE CORNER OF THE BAG.

INDICATES REQUIRED ASSEMBLY INFORMATION. USE: THE -00 VERSION SHALL BE THE UNFINISHED VERSION OF PART SHOWN. USE: ALL DIMENSIONS APPLY BEFORE COATING. (ASME Y14.5M, SEC. 2.4.1.)		TriMark TriMark Corporation 10005 F26 (060-1650) 10005 F26 (060-1650)	
TOLERANCES UNLESS OTHERWISE SPECIFIED: ASME Y14.5M-1994 INCH: X.X = ±.1, X.XX = ±.03, X.XXX = ±.010 MILLIMETER: X.X = ±.3, X.XX = ±.08, X.XX = ±.25 ANGLES: X° = ±.5°, X.X° = ±1.0°, X.XX° = ±.50°		DRAWN BY: BJP 2010-10-13 CHECKED BY: CRZ 2010-10-18 PROJECT: 10005 PRODUCT CODE: F26 (060-1650)	
DO NOT SCALE DRAWING REF. SUPPLIER REQUIREMENTS MANUAL (FORMERLY OP 4.20-2) REF. SOP-ADQP-PRO-131 FOR INT. QUALITY REQ. (FORMERLY OP 4.20-3)		CUSTOMER PART NUMBER: - PART WEIGHT: (4.42 LB) SURFACE AREA: - SIZE: D SCALE: 0.75 SHEET: 1/2 PART NUMBER: 29412	



SECTION D-D

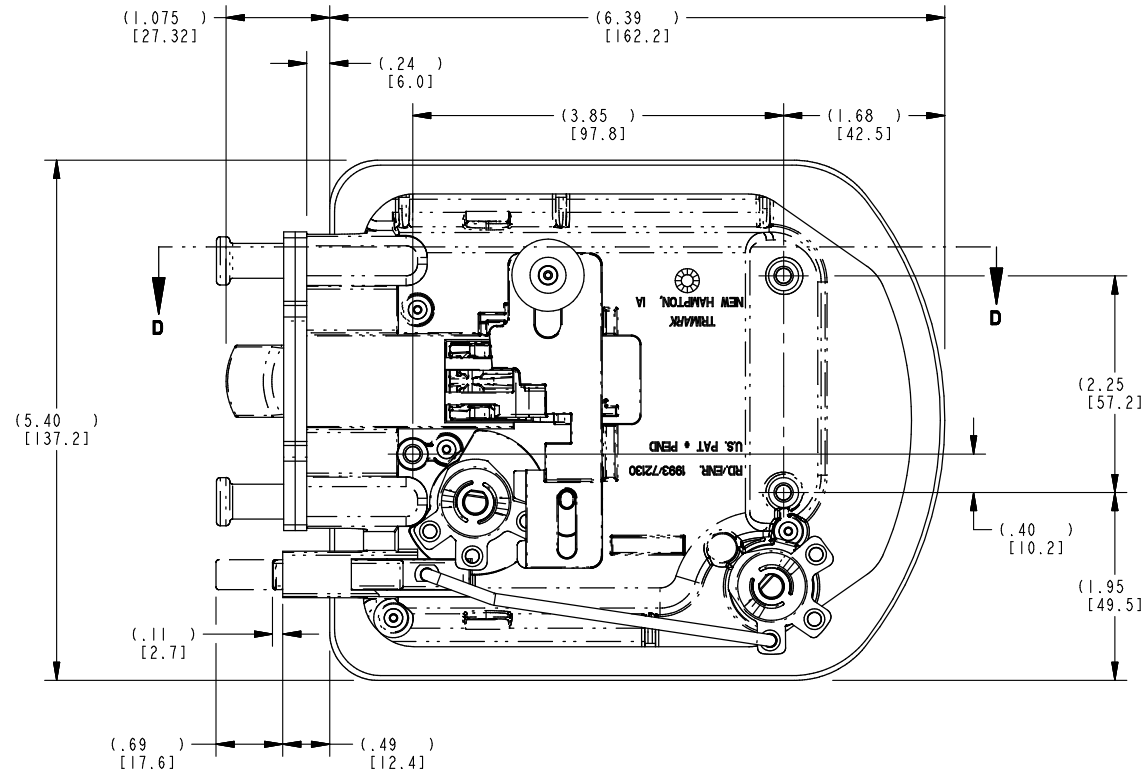
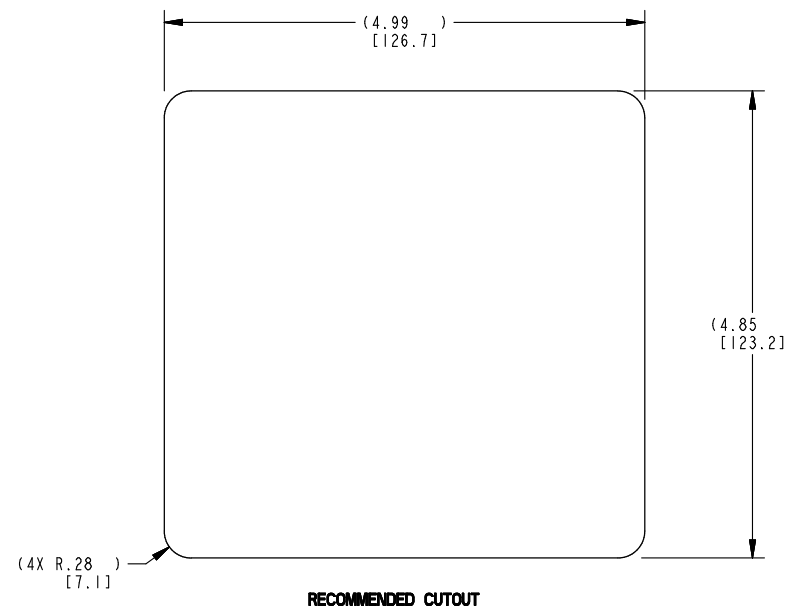
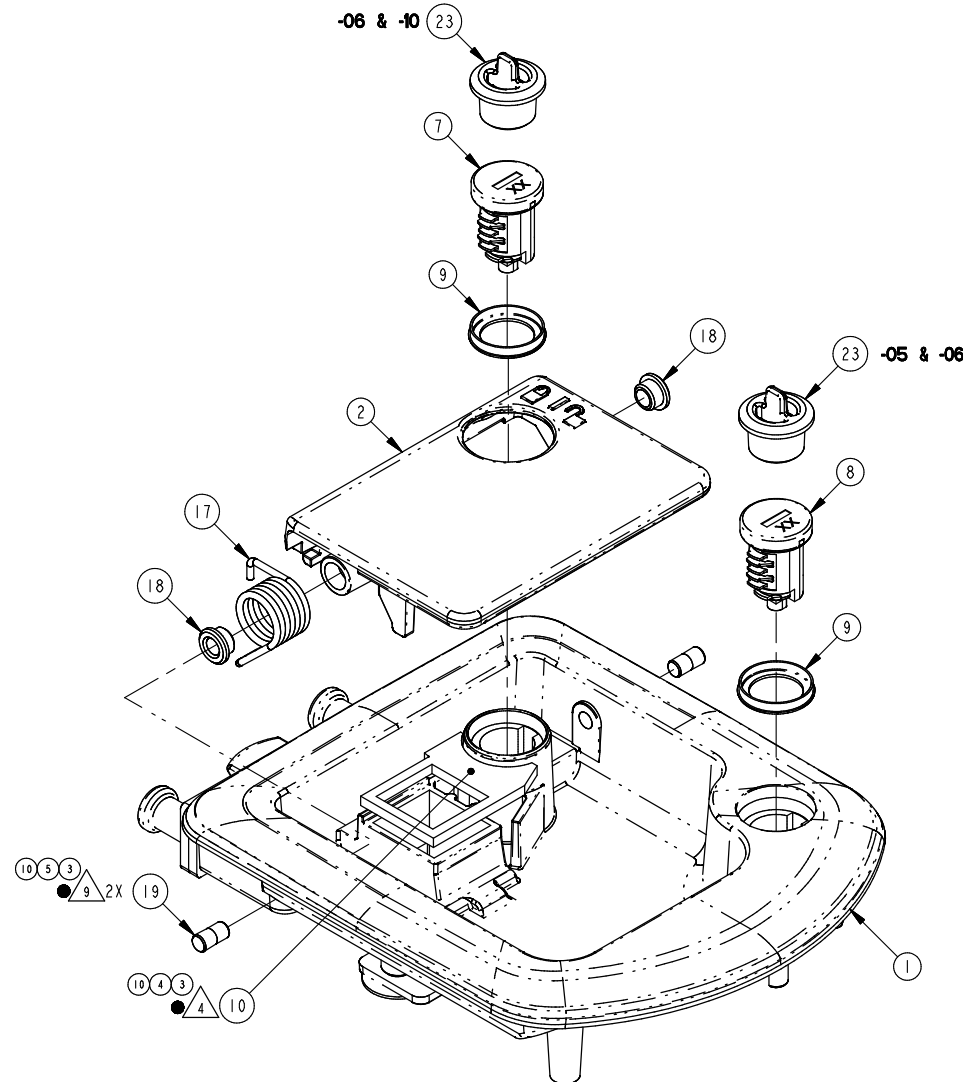


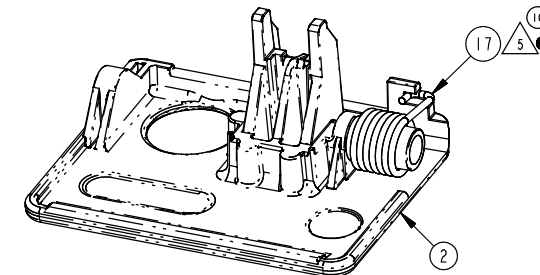
PLATE (ITEM 13) NOT SHOWN



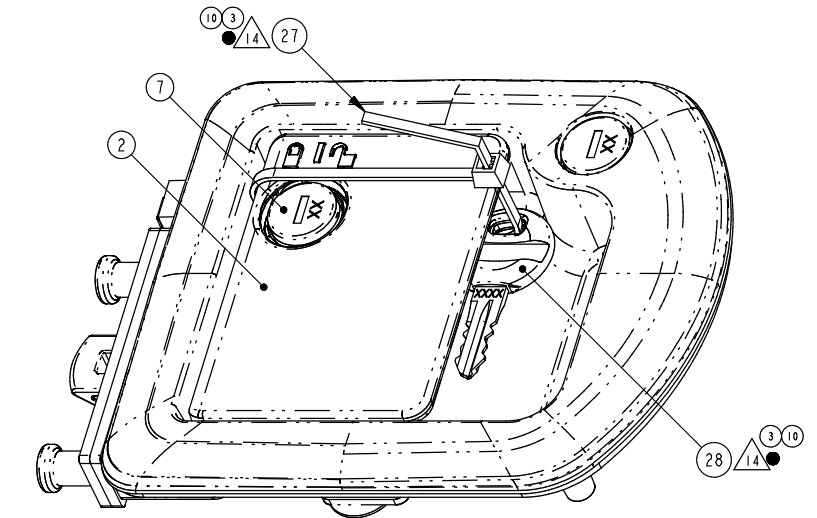
RECOMMENDED CUTOUT



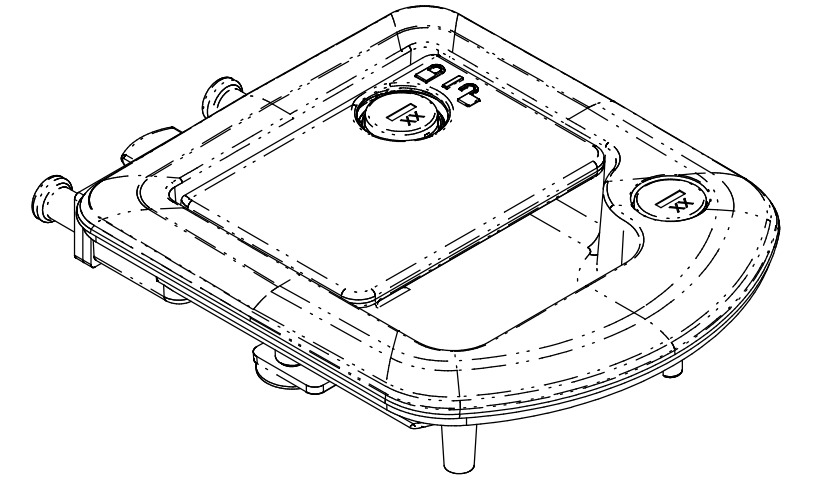
EXPLODED VIEW



PADDLE (ITEM 2) & SPRING (ITEM 17) ASSEMBLY INSTRUCTIONS



-08 & -10 VERSIONS ONLY



ISO VIEW

TriMark.				
SIZE	SCALE	SHEET	PART NUMBER	REVISION
D	1.0	2/2	29412	10