

5 G - 1 0

## Quick Start

### Attach Filter Assembly

The filter assembly must be attached to the analyzer before operation. See figure 1.

**Analyzer Rear View**

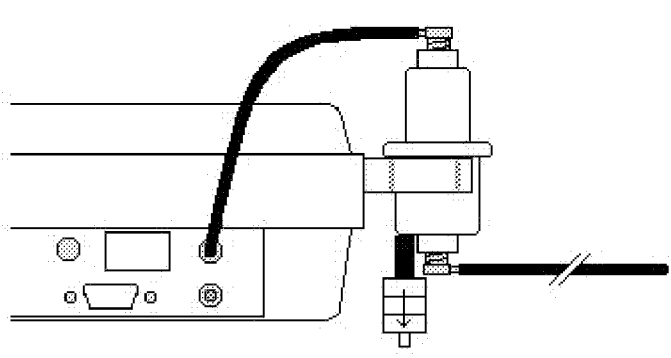


Figure 1

Connect the hose from the UPPER hose barb fitting on the rear panel of the analyzer to the UPPER hose barb fitting fitting on the filter housing. The water drain check valve must also be in place on the filter bowl housing.

### Attach Sample Hose

Attach the sample hose from the exhaust probe to the LOWER fitting on the filter bowl housing.