

EA16-002

FLAT CHRYSLER

5-12-2016

ENCLOSURE 04

CAIR Backup





1115



1115









D O D G E

CHARGER









Challenger L

CHARGER











DODGE





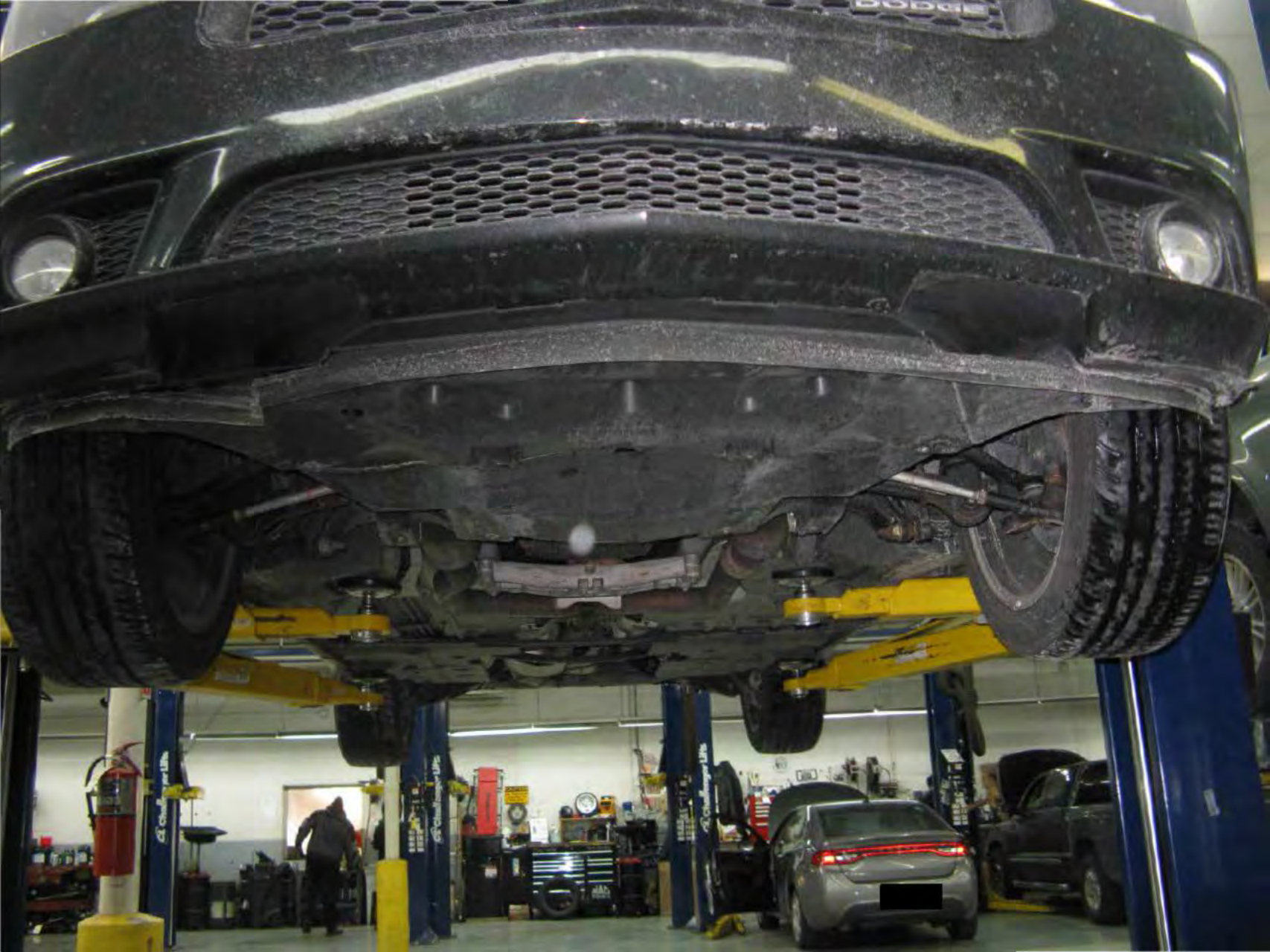






3.6L
VVT

0









CHARGER

ch





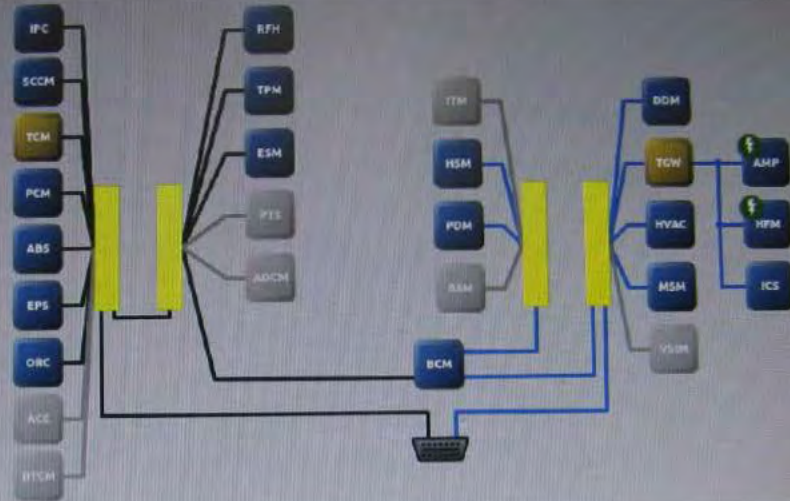
Challenger

Vehicle View

Click on ECU to see full name. Click on an ECU for complete details.

12 LD 3.6L
 VIN: 2C3CDXHGOCH1 [REDACTED]
 Battery 11.78 volts

- Legend
- Active ECU
 - Non-responsive ECU
 - DTCs Present
 - ECU Not Built
 - Scanning ECU
 - New Flash Available
 - CAN-C
 - CAN-IHS



DTCs Diagnostic Procedures Customer Preferences Vehicle Preparations

Left-click row selection to view environmental data. Click on column heading to sort table.

Active Stored Pending

ECU	Code	Status	Description
TCM	P1DC7-00	Stored	Clutch Temp Threshold Achieved - Shift Time Reduction-
TCW	B1570-00	Stored	USB Communication-

A











USE ONLY CHRYSLER 8-SPEED TRANS FLUID 52854283AA
PER SERVICE MANUAL. USE DIAGNOSTIC TOOL TO DETERMINE
TRANS FLUID TEMPERATURE
ONLY CHECK FILL LEVEL AT FLUID TEMP 86-122°F/30-50°C
OTHERWISE DO NOT OPEN!



R
N
D/S

PANC



P
R
N
D/S



P
R
N
D/S

PANIC



P
R
N
D/S

PANIC



N 30000mi 12'

Press Brake and
Push Button to Shift
into Gear



P
R
N
D
S



N

35808mi

12°

Press Brake and
Push Button to Shift
into Gear



P

R

N

D

S

N 3500mi 12°

Fuel Economy

AVG: 22.2 ▶ Reset

DTE: 366mi

MPG:

0 20 40



P
R
N
D
S



N 35808mi 12°

Press Brake and
Push Button to Shift
into Gear



P
R
N
D
S



N 35808mi 12°

Fuel Economy

AVG: 22.2 ▶ Reset

DTE: 363mi

MPG:

0 20 40



P
R
N

- D+

S



Fuel Economy

AVG: 22.2 ▶ Reset

DTE: 360ml

MPG:

0 20 40



P
R
N
- S +
D



SPORT[®]



12
Pass Brake
and
Park Brake
to Start

1115



















BY CHRYSLER GROUP LLC

02814 KG

GAWR: 01275 KG

05100 LB

FRONT: 02810 LB

DATE OF MFR: 12-11

GAWR: 01275 KG

REAR: 02810 LB



VEHICLE CONFORMS TO ALL APPLICABLE U.S.A. FEDERAL MOTOR VEHICLE SAFETY,
BUMPER AND THEFT PREVENTION STANDARDS IN EFFECT ON
THE DATE OF MANUFACTURE SHOWN ABOVE.

VIN: 2C3CDXHG0CH [REDACTED]

MDH: 121509 662AA

VEHICLE MADE IN CANADA

PAINT: PX8

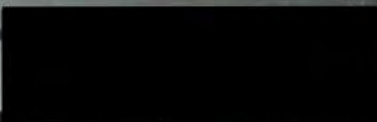
TYPE: PASSENGER CAR

TRIM: CLX9

4658843



2C3CDXHGCH



--

35808mi

12°

Press Brake
and
Push Button
to Start





Menger Lifts

FIRE
EXTINGUISHER





1115





1115

DODGE



1115

DODGE



1115

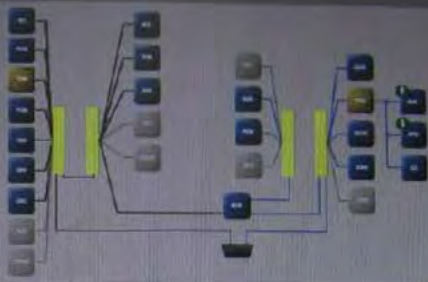
Vehicle View

Click on an ECU to see full menu. Click on an ECU for complete details.

Search:

2012 LD 3.6L
 VIN: 2C3CDXHG0CH [REDACTED]
 Battery: 11.78 volts

- Legend**
- Active ECU
 - Non-responsive ECU
 - DTCs Present
 - ECU Not Built



-

Double-click row selection to view environmental data. Click on column heading to sort table.

Click on the buttons to view the desired information. Click on column heading to sort table.

Environmental Data for TCM | P1D07-00 Clutch Temp Threshold Achieved - Shift Time Reduction-

Name	Value	Units
Test Failed	False	
Test Failed This Operation Cycle	False	
Pending DTC	False	
Confirmed DTC	True	
Test Not Completed Since Last Clear	False	
Test Failed Since Last Clear	True	
Test Not Completed This Operation Cycle	True	
Warning Indicator Requested	False	

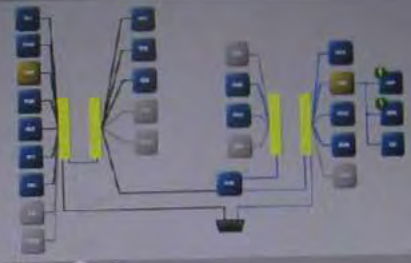


Vehicle View

Roll over an ECU to see full name. Click on an ECU for complete details.

2012 LD 3.6L
 VIN: 2C3CDXHG0C1 [REDACTED]
 Battery: 11.78 volts

- Legend
- Active ECU
 - Non-responsive ECU
 - DTCs Present
 - ECU Not Built



- All DTCs Diagnostic Procedures Customer Preferences Vehicle Preparations

Double-click row selection to view environmental data. Click on column heading to sort table.

Click on the buttons to view the desired information. Click on column heading to sort table.

Environmental Data Snapshot Data

Environmental Data for TCM | P1DC7-00 Clutch Temp Threshold Achieved - Shift Time Reduction-

Name	Value	Units
Test Not Completed This Operation Cycle	True	
Warning Indicator Requested	False	
DTC Extended Data Record Number - All	01	
Occurrence flag	Error	
Original Odometer Value	35520	miles
Most Recent Odometer Value	35550	miles
Frequency Counter	2	
Ignition Cycle Counter	11	

Disconnect Warning in Event



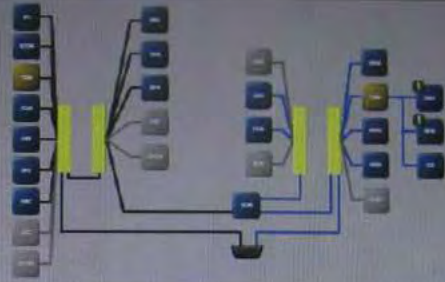
Vehicle View

Hold over an OBD to see full name. Click on an ECU for complete details.

2012 LD 3.6L
 VIN: 2C3CDXHG0CH [REDACTED]
 Fuel System: [REDACTED] 11.75 volts

Legend

- Active ECU
- Non-responsive ECU
- DTCs Present
- ECU Not Built



- All DTCs
- Diagnostic Procedures**
- Customer Preferences
- Vehicle Preparations

Double-click row select icon to view environmental data. Click on column heading to sort table.

Click on the buttons to view the desired information. Click on column heading to sort table.

[Environmental Data](#) [Snapshot Data](#)

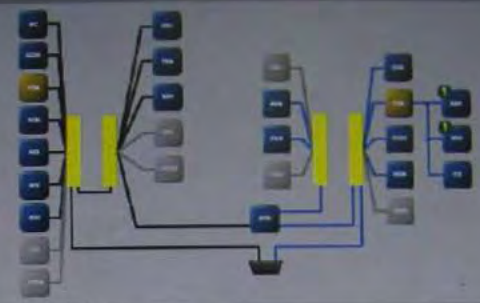
Environmental Data For TGW | B1570-00 USB Communication-

Name	Value	Units
Test Failed	False	
Test Failed This Operation Cycle	False	
Pending DTC	False	
Confirmed DTC	True	
Test Not Completed Since Last Clear	False	
Test Failed Since Last Clear	False	
Test Not Completed This Operation Cycle	False	
Warning Indicator Requested	False	

Vehicle View

Click on an ECU to view full name. Click on an ECU for complete details.

LD 3.6L
 2C3CDXHG0CH [REDACTED]
 11.78 volts
 Active ECU
 Non-responsive ECU
 DTCs Present
 ECU Not Built



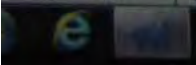
- DTCs
- Diagnostics Procedures
- Customer Preferences
- Vehicle Preparations


Click on the buttons to view the desired information. Click on column heading to sort table.

Environmental Data Snapshot Data

Environmental Data for TGW | B1570-00 USB Communication-

Name	Value	Units
Test Not Completed This Operation Cycle	False	
Warning Indicator Requested	False	
DTC Extended Data Record Number - All	01	
Occurrence flag	Occurrence	
Original Odometer Value	35801	miles
Most Recent Odometer Value	35801	miles
Frequency Counter	1	
Ignition Cycle Counter	1	





T30UK315189795



P68046526AH







NOV 11 2008

NOV 11 2008

254252776

BRAKE W/...







