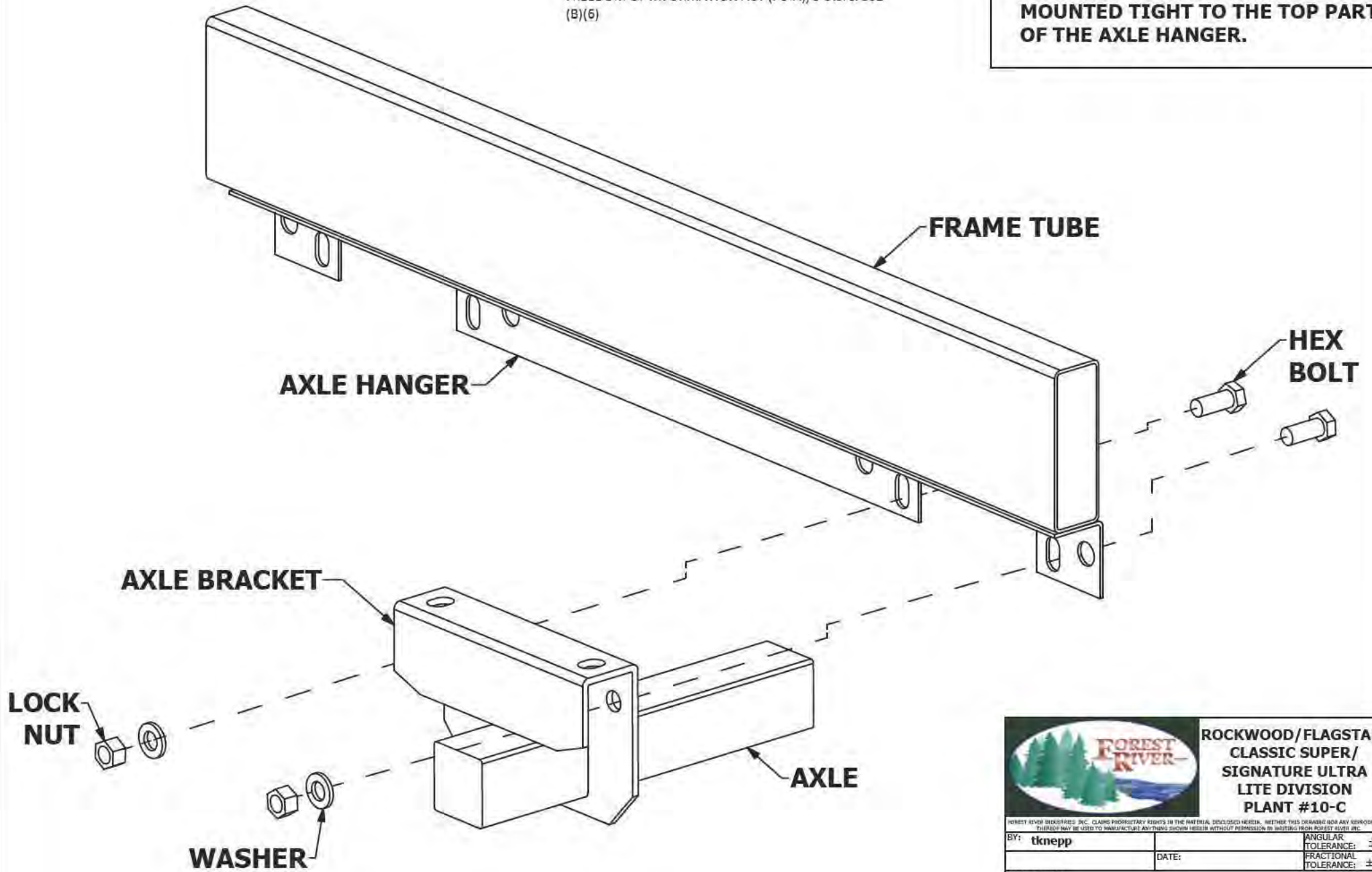


INFORMATION Redacted PURSUANT TO THE
 FREEDOM OF INFORMATION ACT (FOIA), 5 U.S.C. 552
 (B)(6)

NOTE:

- TORQUE BOLTS TO 120-155 LBS-FT.
- MAKE SURE THE AXLE BRACKET IS MOUNTED TIGHT TO THE TOP PART OF THE AXLE HANGER.



**ROCKWOOD/FLAGSTAFF
 CLASSIC SUPER/
 SIGNATURE ULTRA
 LITE DIVISION
 PLANT #10-C**

FOREST RIVER INDUSTRIES, INC. CLAIMS PROPRIETARY RIGHTS IN THE MATERIAL DISCLOSED HEREIN, WHETHER THIS DRAWING FOR ANY REPRODUCTION THEREOF MAY BE USED TO MANUFACTURE ANYTHING SHOWN HEREIN WITHOUT PERMISSION IN WRITING FROM FOREST RIVER INC.

BY: tknepp	DATE:	ANGULAR TOLERANCE: ±1°
		FRACTIONAL TOLERANCE: ±1/16

DESCRIPTION: AXLE ASSEMBLY			
Gauge:	FR. PART NO.	DWG NO.	REV. X
SIZE C	APPROVED BY:	VENDOR:	SHEET 1 OF 1