

EA14-002

VOLKSWAGEN

8/24/2014

EXHIBIT TO REQUEST 8

ATTACHMENTS (VW)

Copyright VW AG

Repair manual

DMS order number:

VIN: -

Sales code: **7P52J3**Engine code: **CATA**

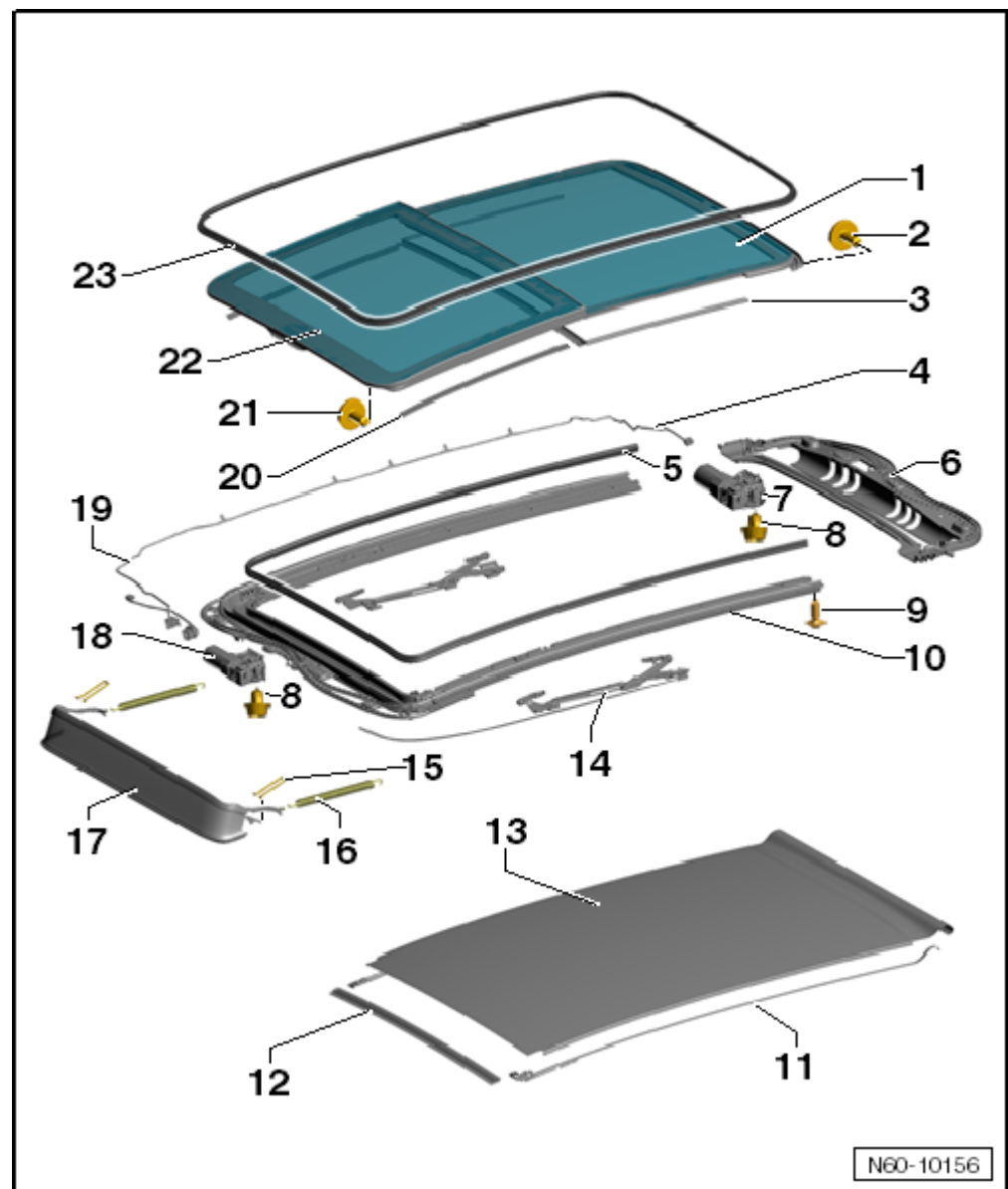
Official license plate:

User name: -

ElsaPro Job number: 121297Model Year: **2012**Model description: **Touareg V6TDI 165 TDIA8A**Transmission code: **NAB**

Final drive code:

Service advisor - name:

Panorama Sunroof Assembly Overview**1 - Rear Glass Panel**

2 - Bolt

- Quantity: 6
- 7 Nm

3 - Seal

- For rear glass panel

4 - Electrical Wiring**5 - Inner Seal**

- Installed on the assembly frame

6 - Rear Lid Part**7 - Sunshade Motor**

- Initialization, refer to → [Chapter „Panorama Sunroof Adaptation“](#)

8 - Bolt

- 8 Nm
- For securing the motors
- 3 per motor

9 - Bolt

- 8 Nm
- For securing the assembly frame
- Quantity: 22

10 - Assembly Frame**11 - Cable**

- For the sun shade

12 - Bow**13 - Sun Shade****14 - Tilting Mechanism**

- For front glass panel, with control cables

15 - Supporting Bracket**16 - Pull-spring****17 - Wind Deflector****18 - Sunroof Motor**

- Initialization, refer to → [Chapter „Panorama Sunroof Adaptation“](#)

19 - Connectors**20 - Trim****21 - Bolt**

- 7 Nm
- Quantity: 8

22 - Front Glass Panel

23 - Outer Seal

Copyright VW AG

Repair manual

ElsaPro Job number: 121297

DMS order number:

VIN: -

Sales code: **7P52J3**

Engine code: **CATA**

Official license plate:

User name: -

Model Year: **2012**

Model description: **Touareg V6TDI 165 TDIA8A**

Transmission code: **NAB**

Final drive code:

Service advisor - name:

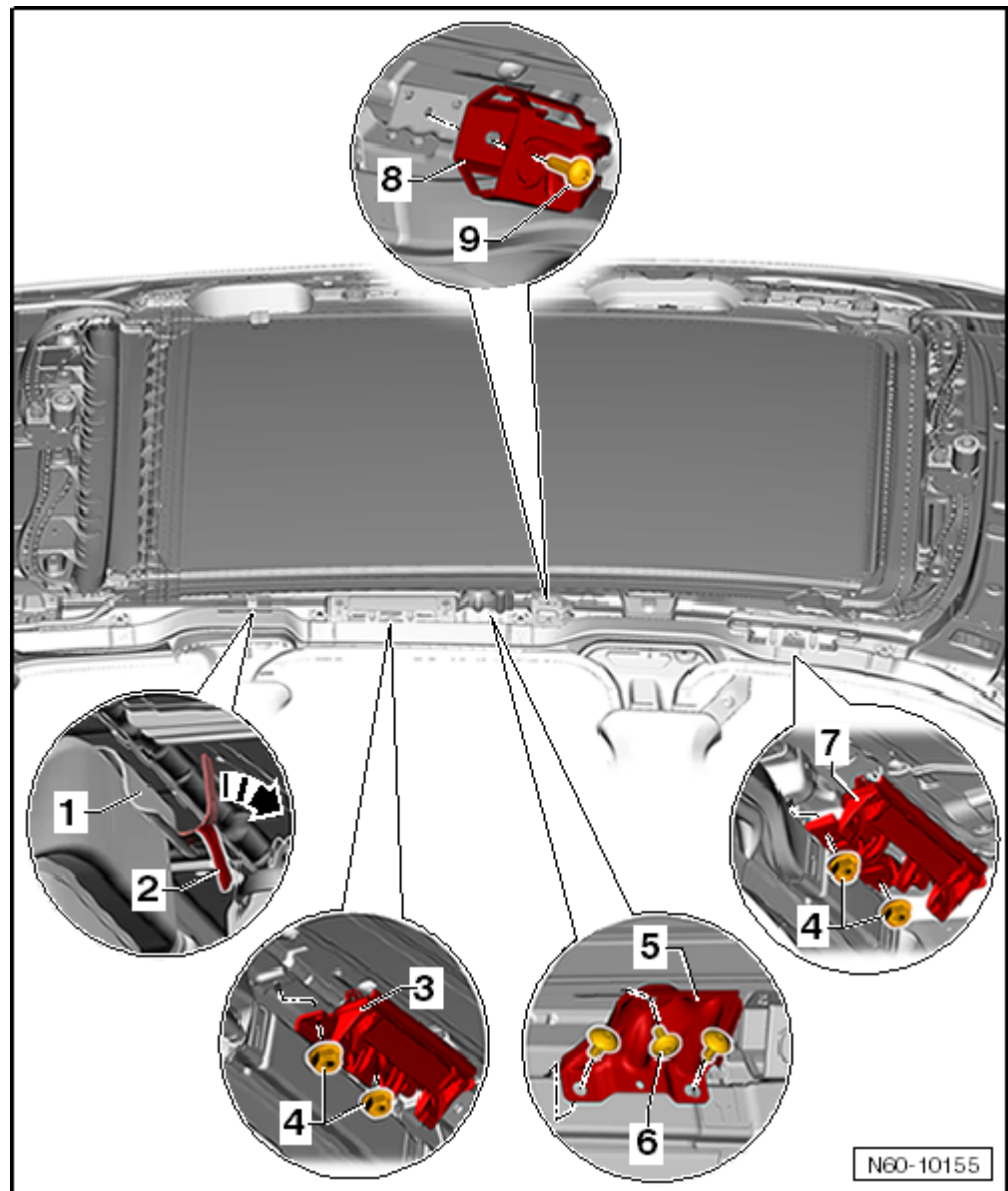
Assembly Frame

Removing



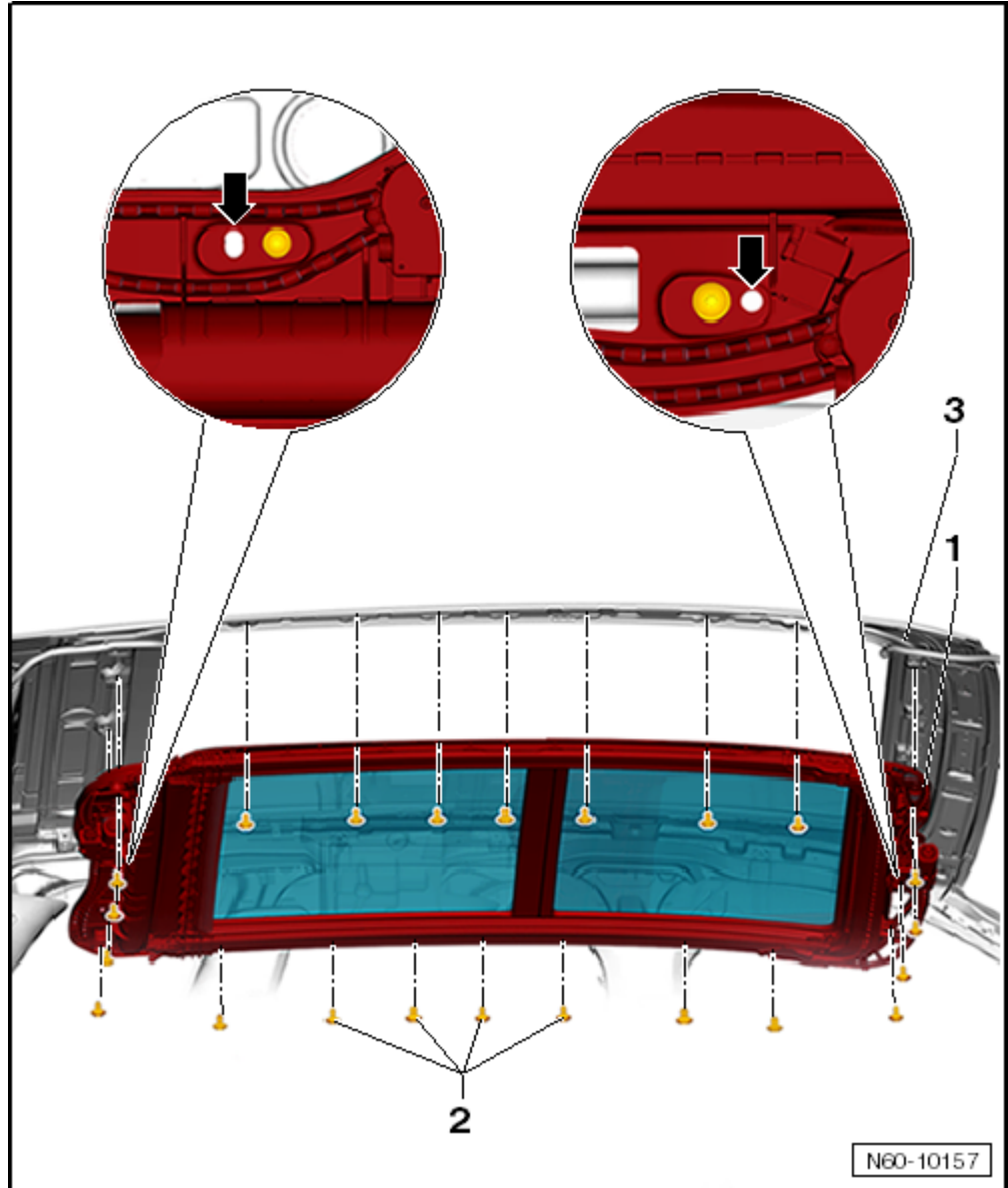
Note

At least two technicians are needed for removing and installing the assembly frame.



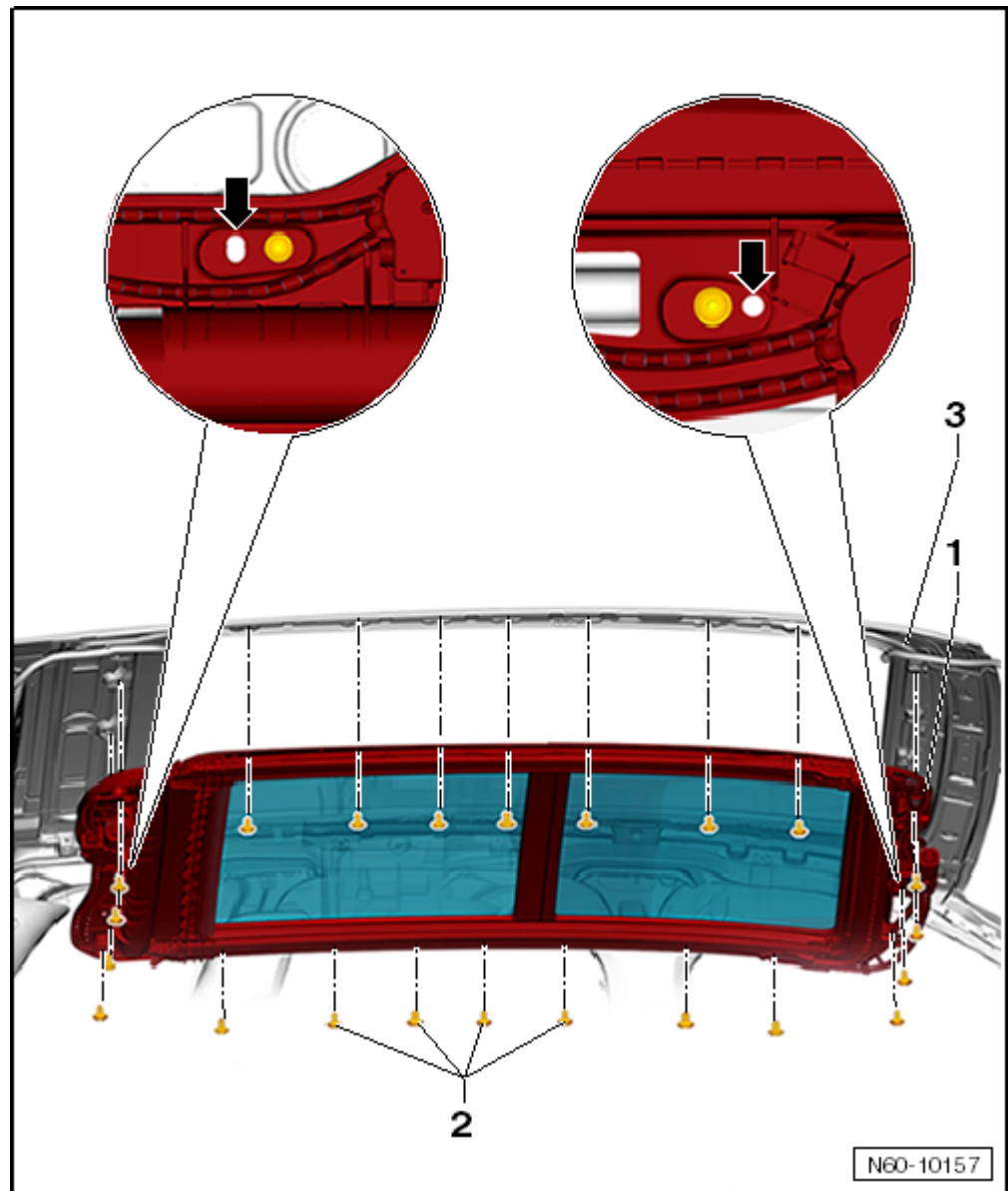
Perform the following:

- Removing headliner. Refer to
→ [Rep. Gr.70](#).
- Remove the left and right bolts -9- and the bracket for the screen separator -8-.
- Remove the left and right bolts -6- and the bracket for the screen separator -5-.
- Remove the left and right nuts -4- and the bracket for the grab handle -7-.
- Remove the left and right nuts -4- and the bracket for the rear grab handle -3-.
- Bend down the left and right bracket -2- at the airbag mount -1--arrow-.
- Disconnect the water drain hoses from the outlet tubes.
- Disconnect the harness connector to the wiring harness on the sunroof motor.



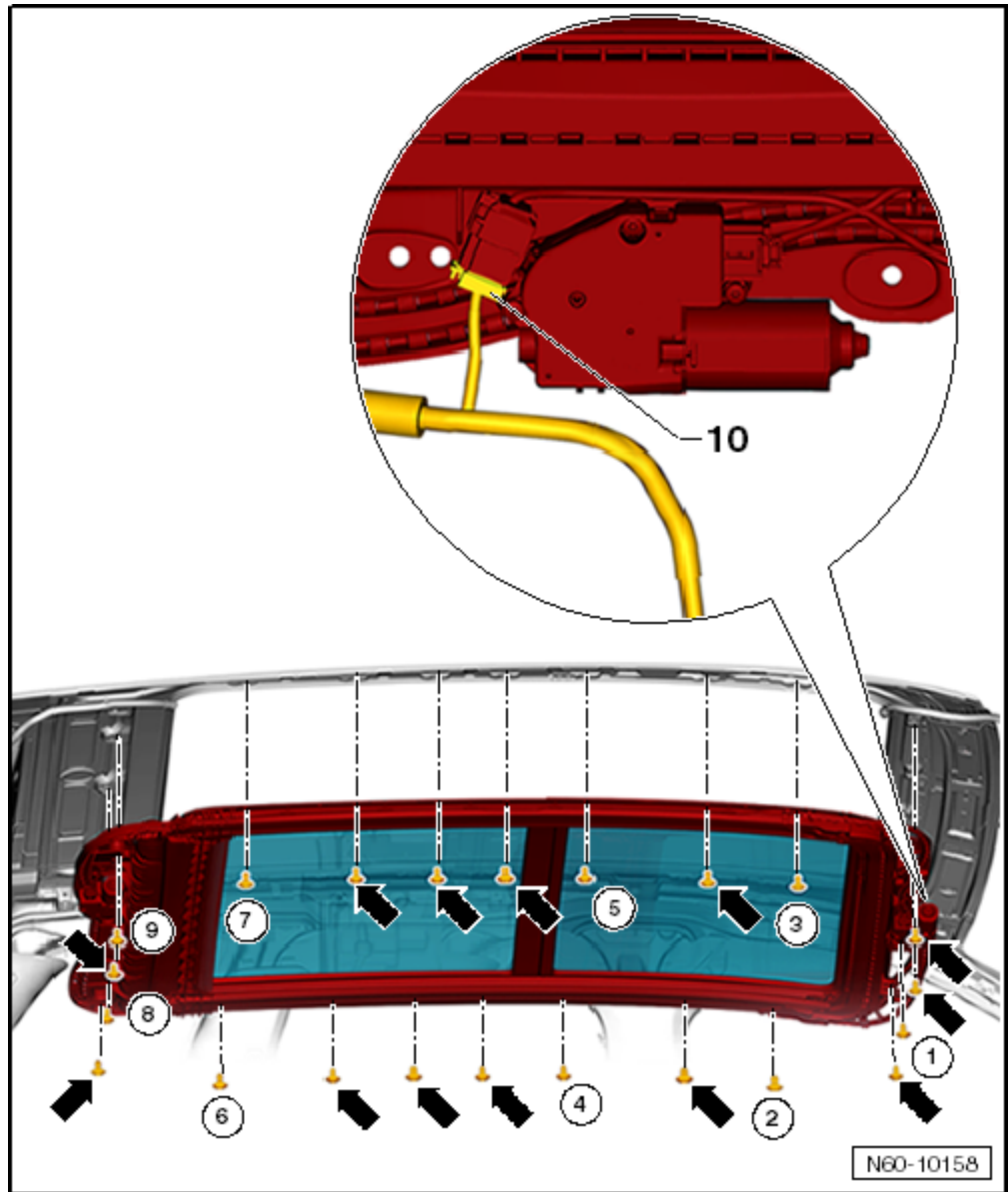
- Remove the bolts -2- of the assembly frame -1- and lift the assembly frame out of the vehicle together with at least one additional technician.

Installation



Perform the following:

- Lift the assembly frame -1- into the vehicle with at least one additional technician.
- Align the assembly frame -1- during connecting with 2 cylindrical pins (8 mm reversed drill bit) at the front and rear centering holes -arrows- and with respect to the roof.
- Install but do not tighten the bolts -2-.
- Connect all water drain hoses -3-.



- Tighten the bolts labeled with numbers in the indicated order -1 through 9- with 8 Nm.
- Tighten the remaining bolts -arrows- in any order with 8 Nm.

Install in reverse order of removal.

Copyright VW AG

Repair manual

ElsaPro Job number: 121297

DMS order number:

VIN: -

Sales code: **7P52J3**

Engine code: **CATA**

Official license plate:

User name: -

Model Year: **2012**

Model description: **Touareg V6TDI 165 TDIA8A**

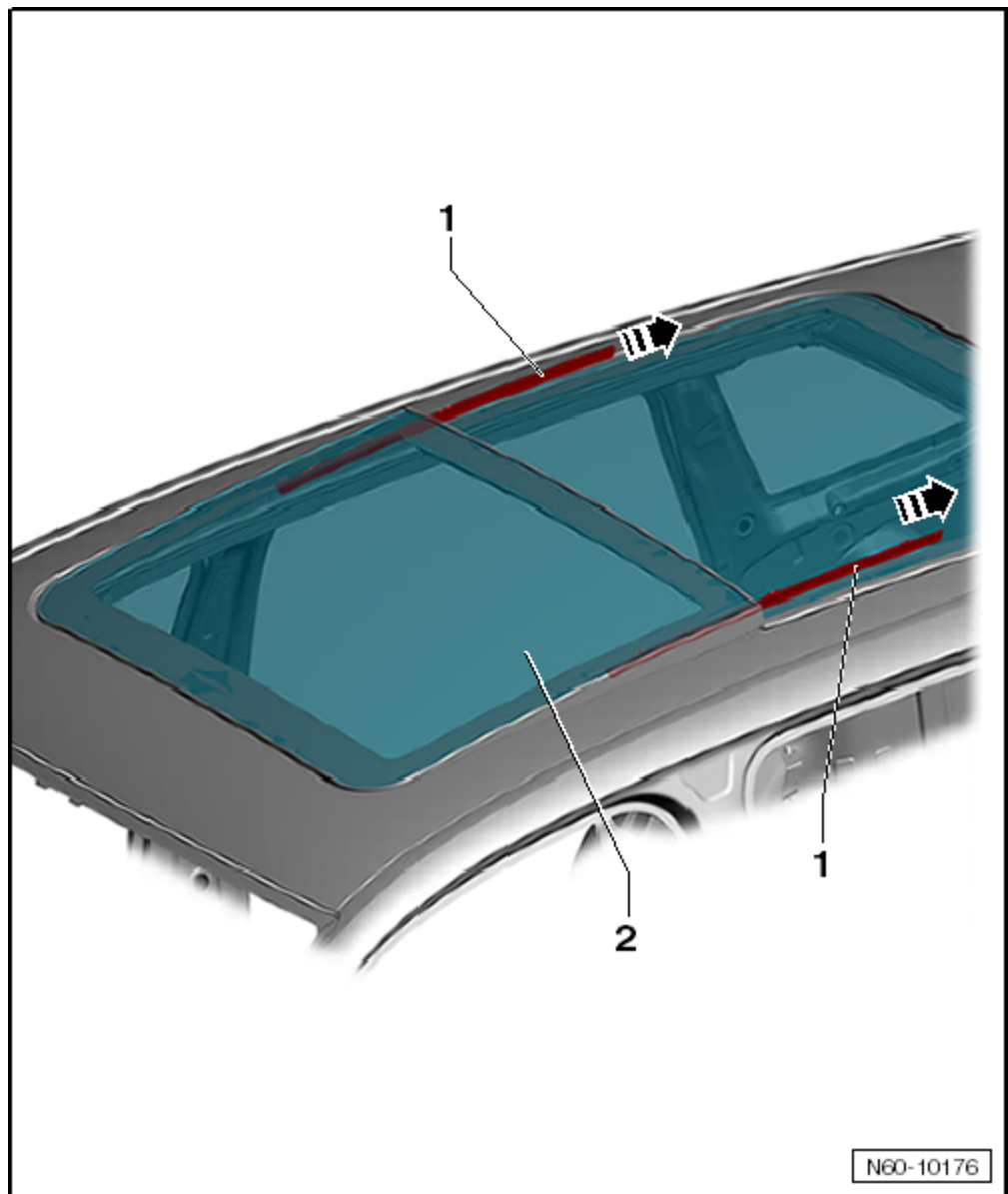
Transmission code: **NAB**

Final drive code:

Service advisor - name:

Glass Panel

Removing

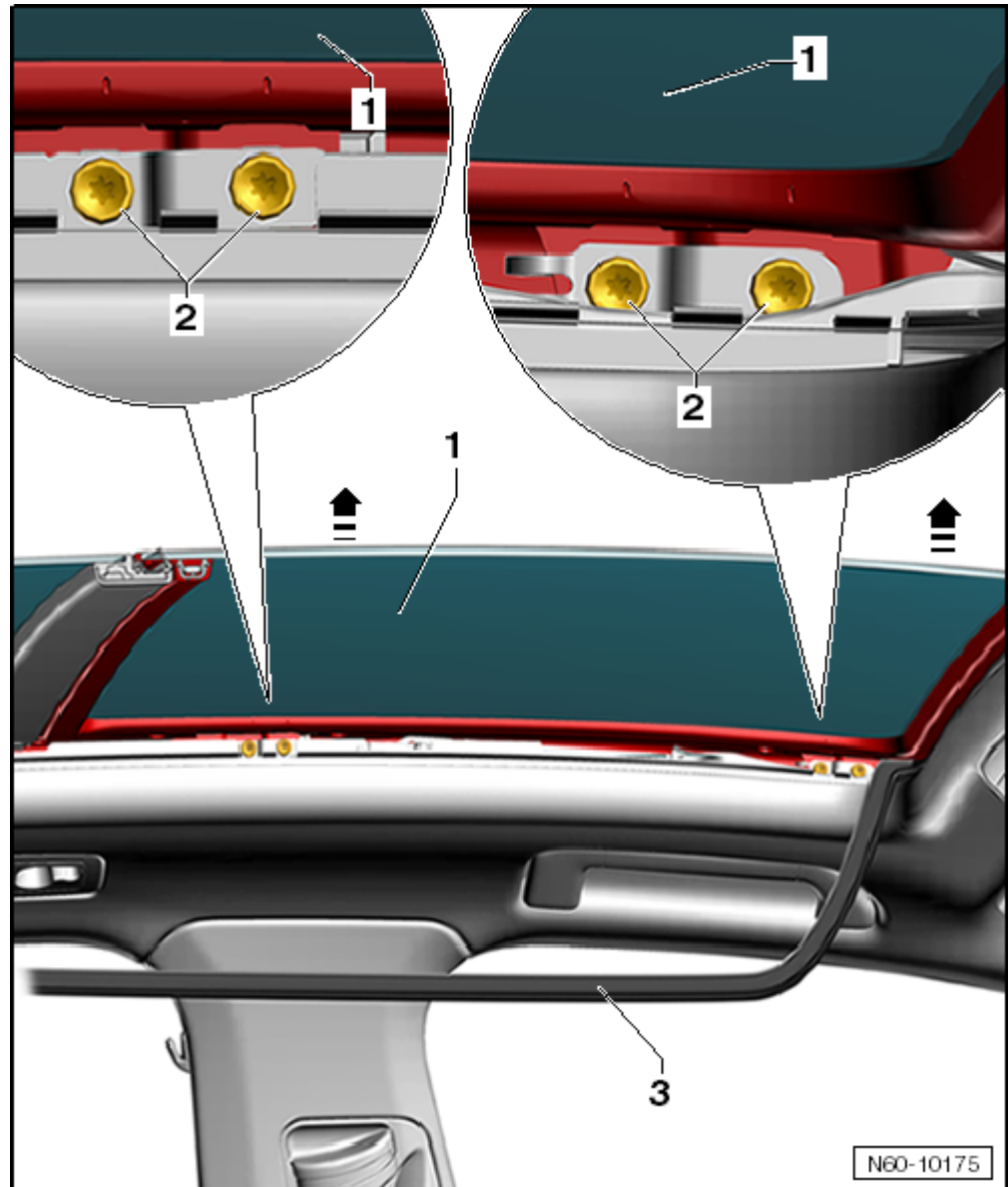


Perform the following:

- Open the glass panel -2- so that the trims -1- are accessible.
- Push the trims -1- backward out of the vehicle interior in the -direction of arrow-.

**Note**

When removing the screws, use a magnetic tool so that the screws cannot fall into the panorama sunroof mechanism.



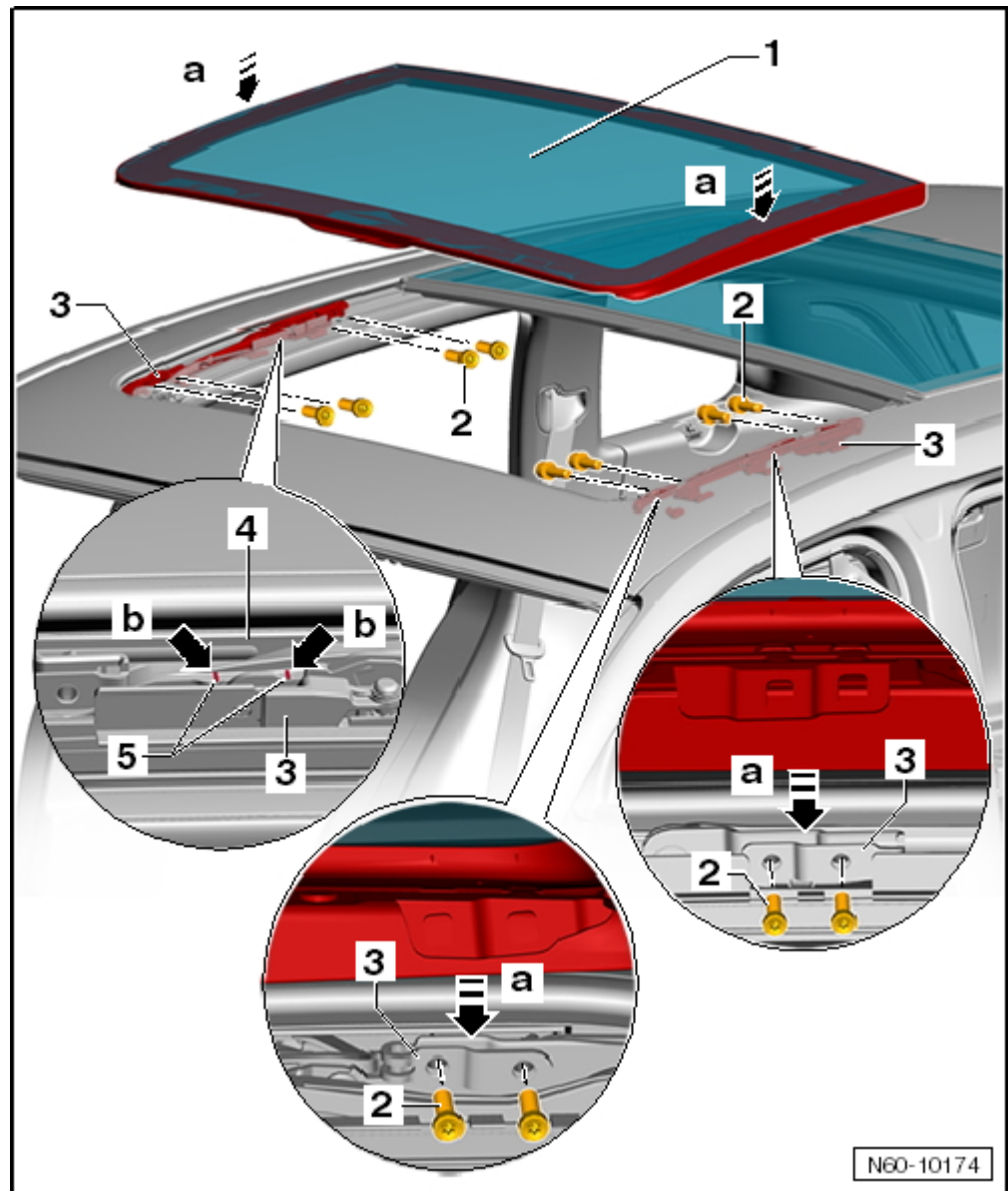
- Remove the seal -3- from the assembly frame.
- Remove the left and right bolts -2- from the glass panel -1-.
- Remove the glass panel upward -arrows-.

Installation



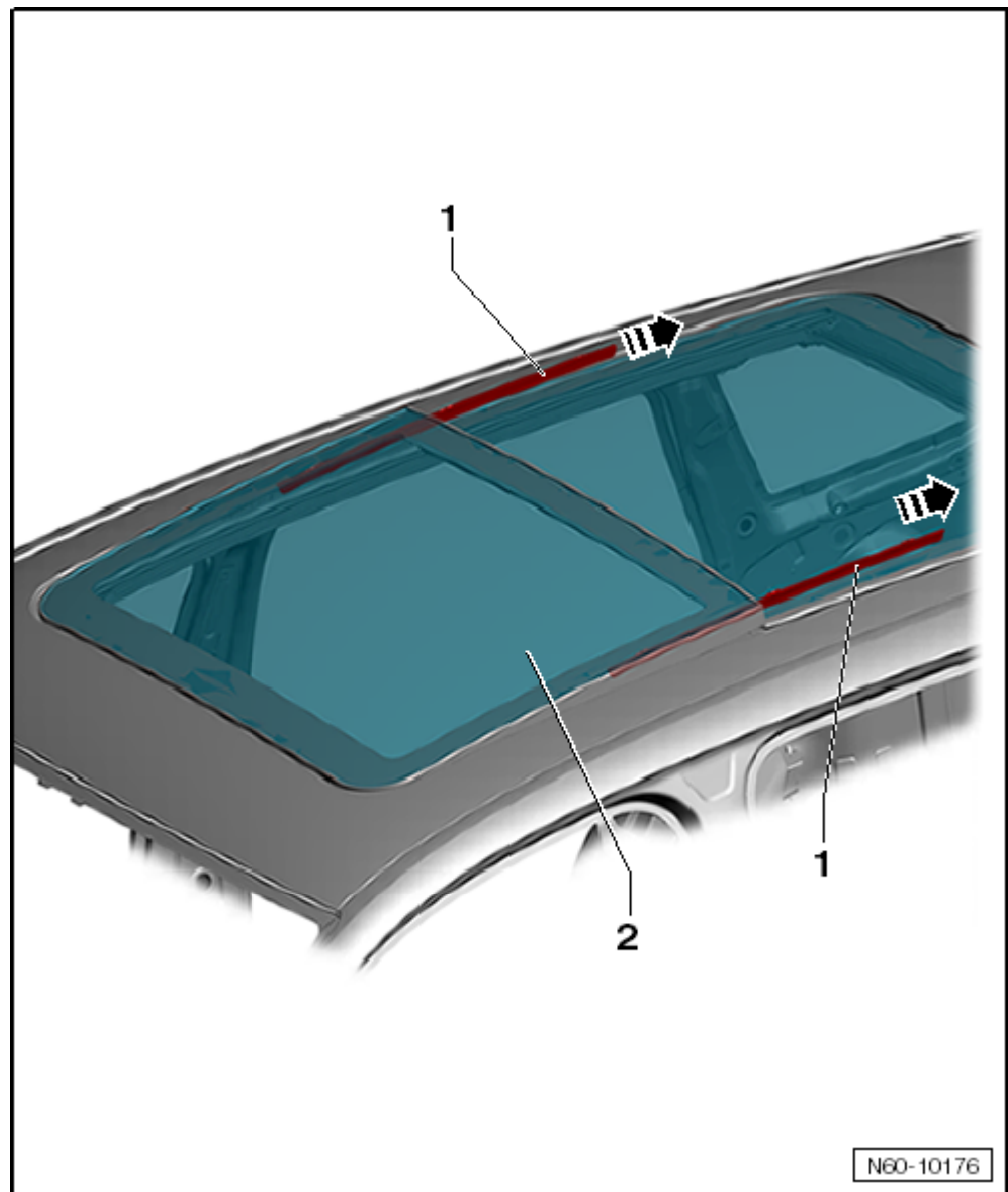
Note

- ◆ New screws are to be used when installing the glass panel.
- ◆ When installing the screws, use a magnetic tool so that the screws cannot fall into the panorama sunroof guide.



Perform the following:

- If necessary, move the tilting mechanism -3- on both sides so that the markings -5- form one line - arrows b-.
- Insert the glass panel -1- from above -arrows a- in the tilting mechanism -3- and install but do not tighten the screws -2-.
- Adjust the front glass panel.
- Tighten the bolts -2-, tightening specification: 7 Nm.



- Install the trim -2- on the glass panel -1- and slide onto the fasteners.
- After completing all the work, perform an sunroof motor adaptation. Refer to → [Chapter „Panorama Sunroof Adaptation“](#).

Copyright VW AG

Repair manual

ElsaPro Job number: 121297

DMS order number:

VIN: -

Sales code: **7P52J3**

Engine code: **CATA**

Official license plate:

User name: -

Model Year: **2012**

Model description: **Touareg V6TDI 165 TDIA8A**

Transmission code: **NAB**

Final drive code:

Service advisor - name:

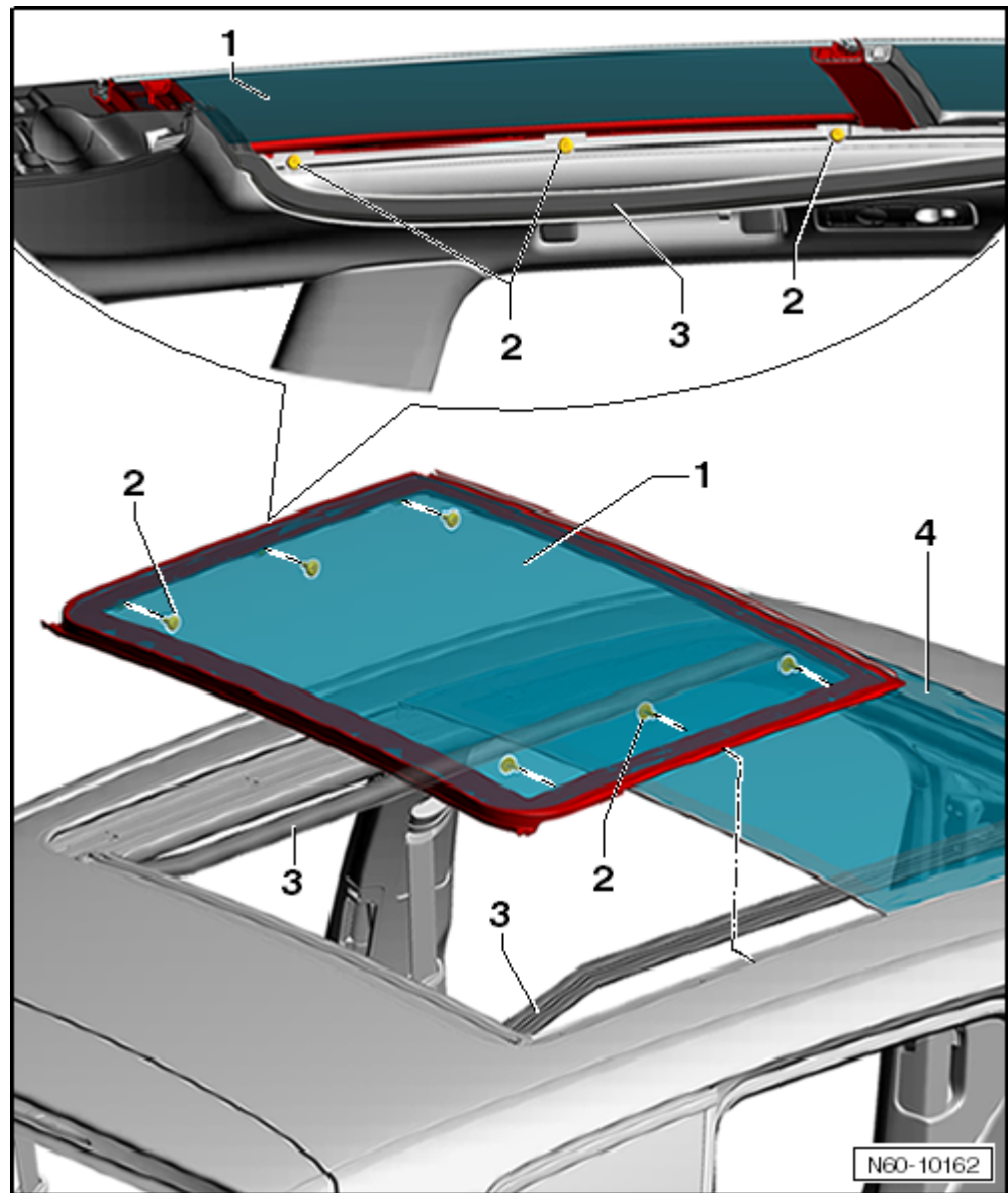
Rear Glass Panel

Removing



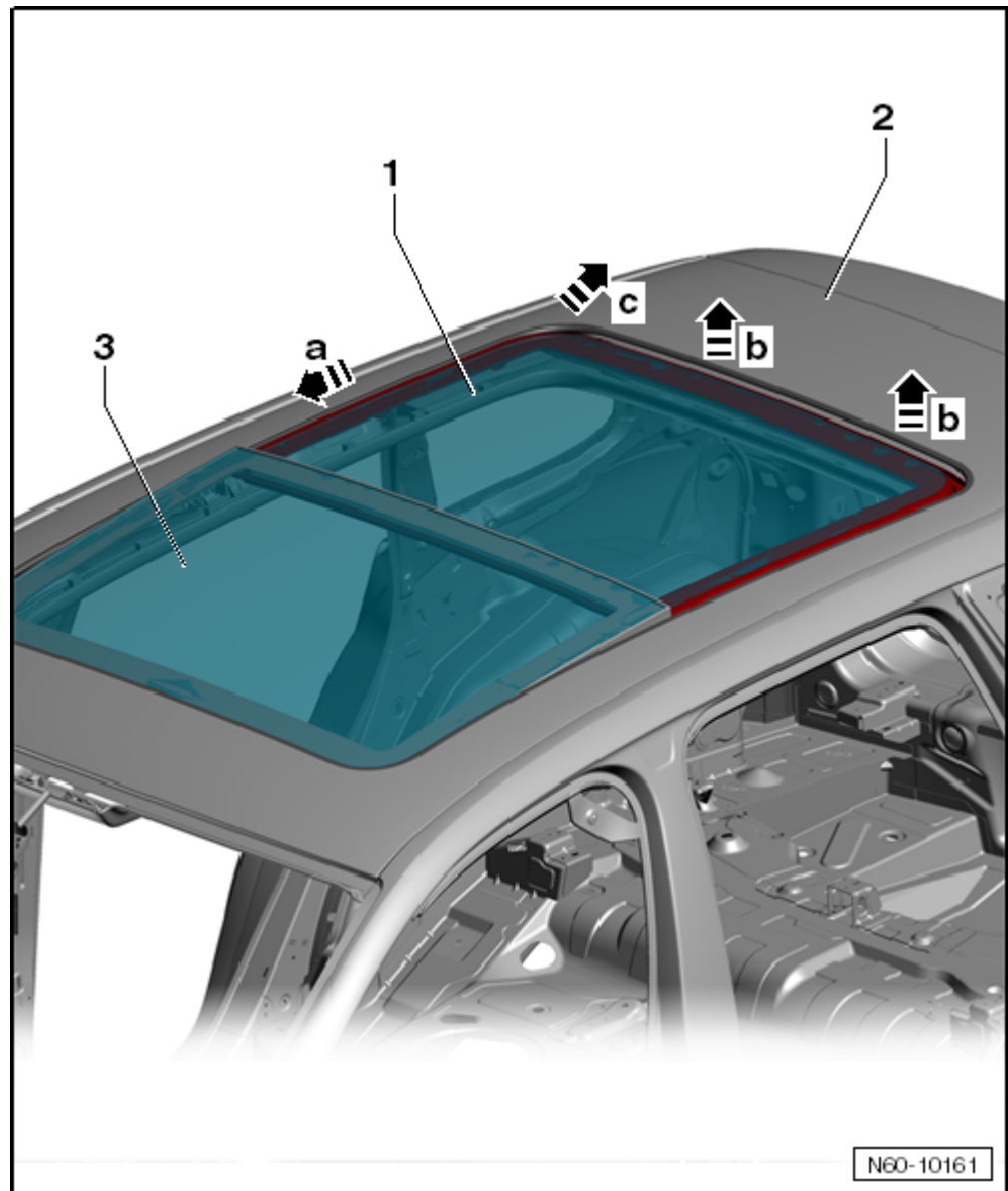
Note

When unscrewing the bolts, use a magnetic tool so that the bolts cannot fall into the panorama sunroof guide.



Perform the following:

- Remove the seal -3- from the assembly frame.
- Remove the left and right bolts -2- from the glass panel -1-.



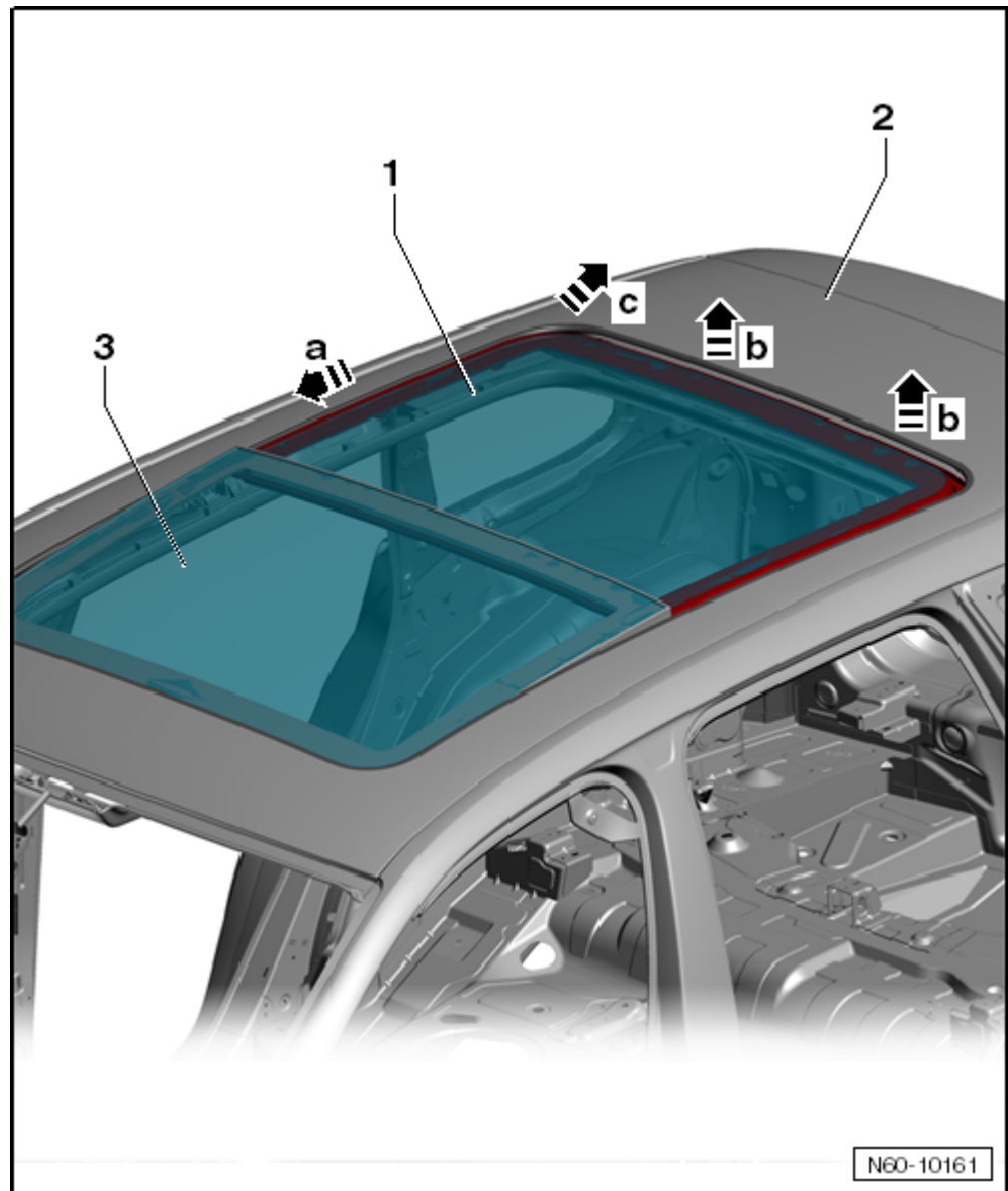
- Slide the rear glass panel -1- slightly under the front glass panel -3--arrow a-.
- Lift the rear glass panel -1- only in the rear area off of the roof opening -2--arrows b-.
- Guide the rear glass panel -1- up at an angle -arrow c- over the roof -2- and pull out from under the front glass panel -3-.

Installation



Note

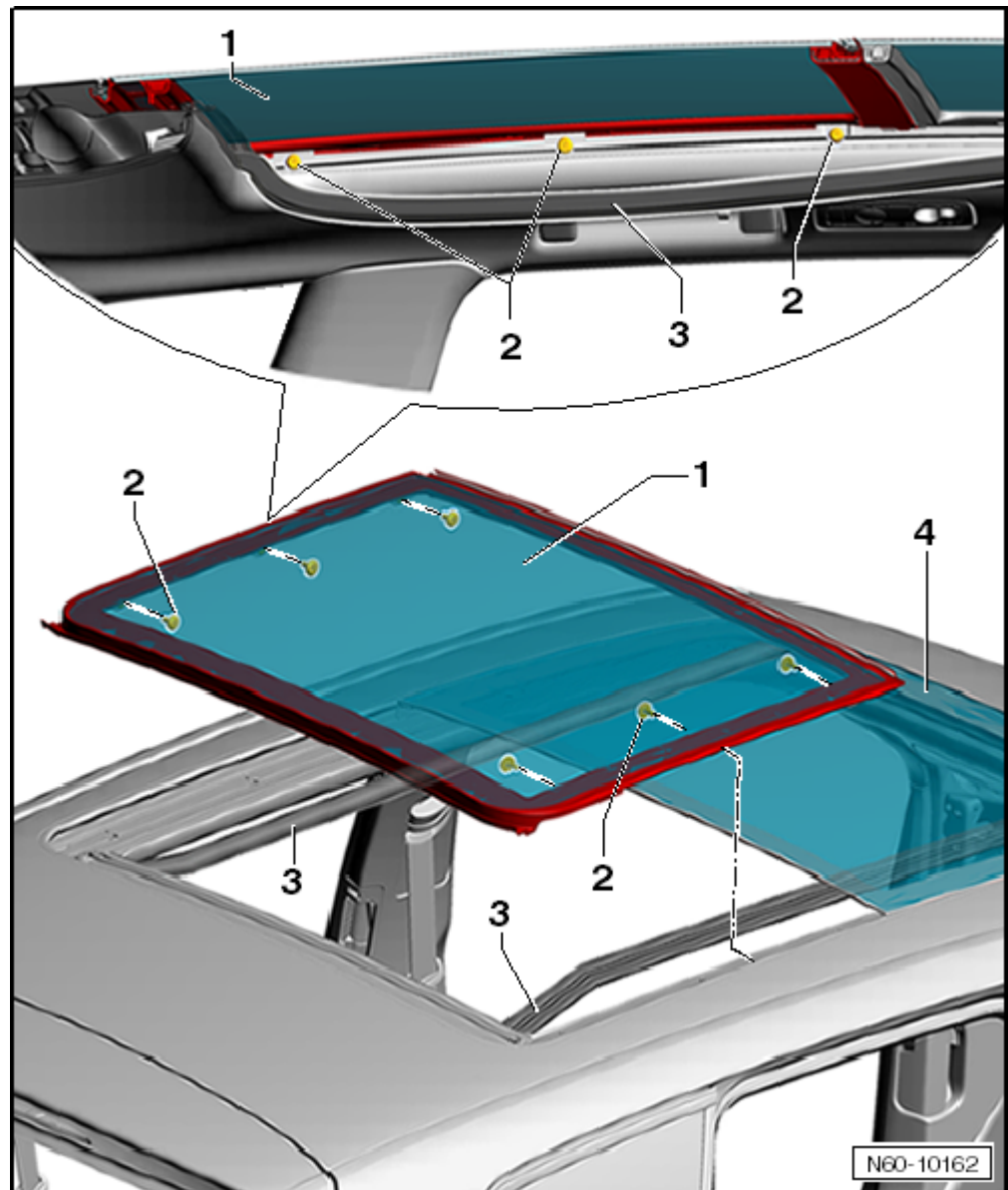
- ◆ *New screws are to be used when installing the glass panel.*
- ◆ *When installing the bolts, use a magnetic tool so that the bolts cannot fall into the panorama sunroof guide.*



Install in reverse order of removal.

Perform the following:

- Install the rear glass panel -1- from above at an angle under the front glass panel -3-.
- Install the rear glass panel -1- downward in the rear region into the roof opening -2- and slide it back.



- Install but do not tighten the bolts -2-.
- Adjust the rear glass panel -1-.
- After the rear glass panel is adjusted, tighten the screws. Tightening specification: 7 Nm.
- After completing all work, perform an adaptation of the sunroof motor. Refer to → [Chapter „Panorama Sunroof Adaptation“](#).

Copyright VW AG

Repair manual

DMS order number:

VIN: -

Sales code: **7P52J3**

Engine code: **CATA**

Official license plate:

User name: -

ElsaPro Job number: 121297

Model Year: **2012**

Model description: **Touareg V6TDI 165 TDIA8A**

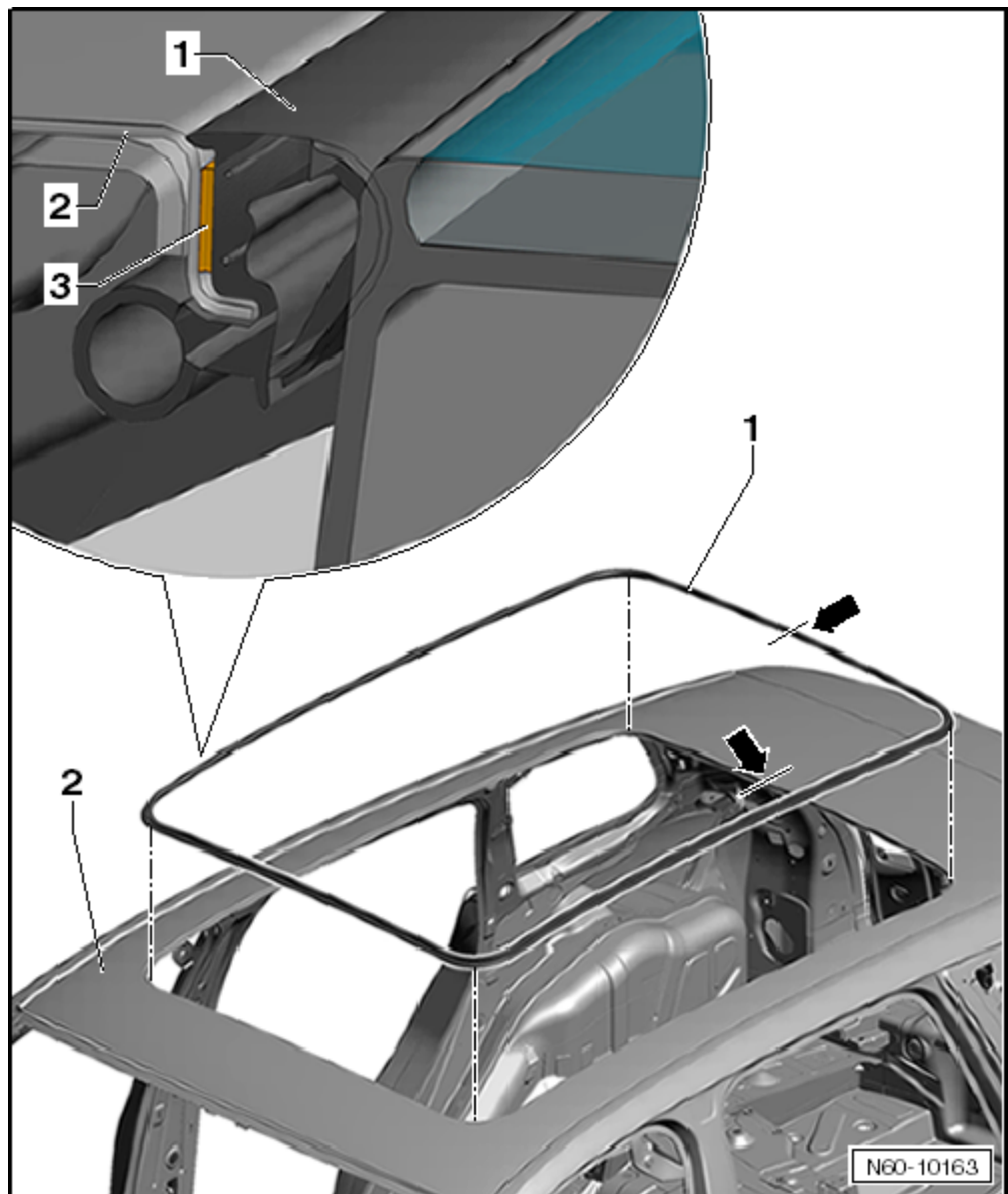
Transmission code: **NAB**

Final drive code:

Service advisor - name:

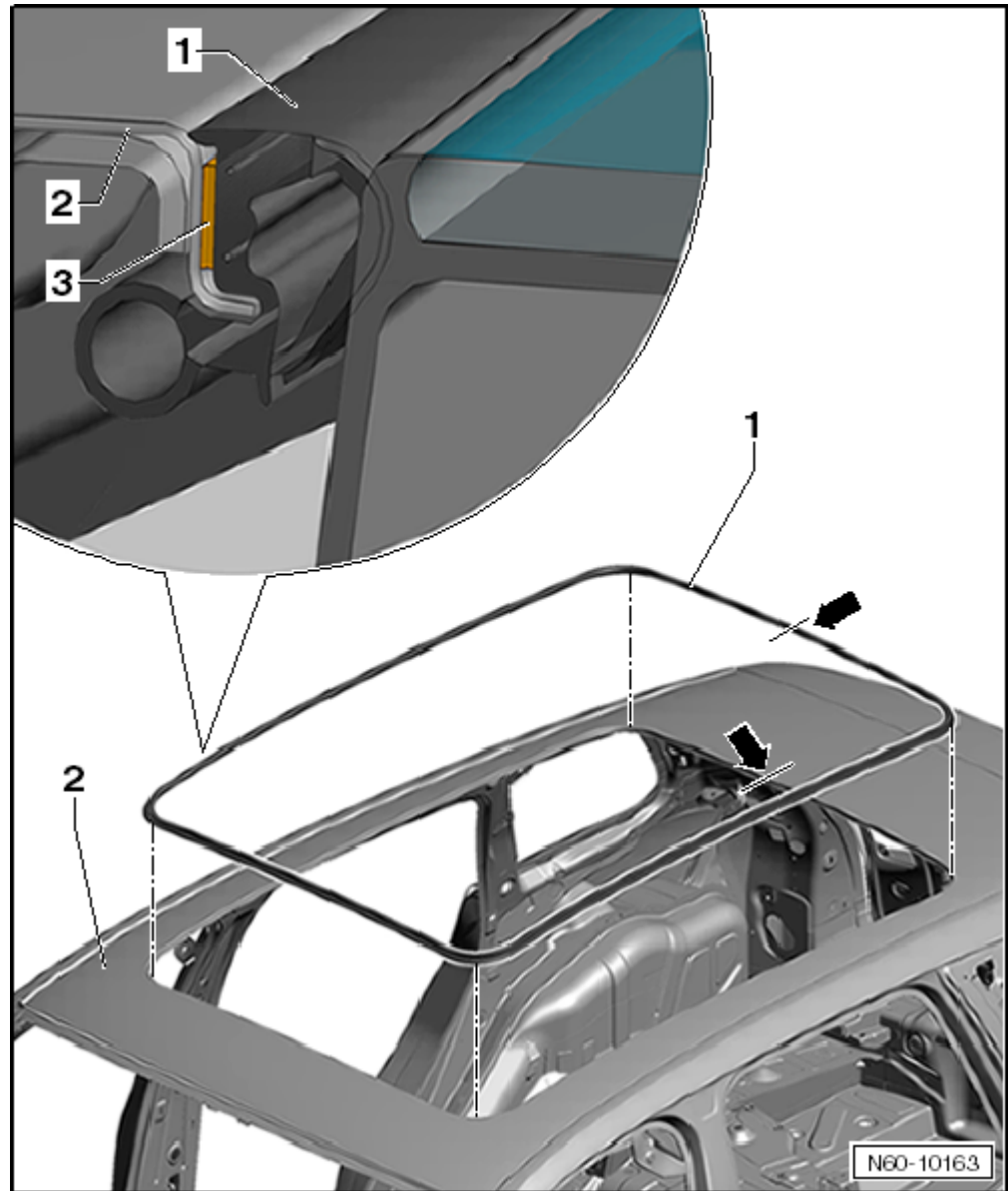
Outer Seal

Removing



Perform the following:

- Remove the assembly frame. Refer to → Chapter „Assembly Frame“.
- Remove the outer seal -1- with the adhesive surface -3- from the roof -2-.

Installation**Perform the following:**

- Remove any remaining adhesive with Adhesive Strip Remover -VAS 6349-.
- The adhesion surface on the roof cutout must be free of dust and grease.
- Clean the adhesive surfaces thoroughly with Cleaning solution -D 009 401 04-.
- Wipe down the adhesive surfaces on the roof opening with the supplied primer towel.
- Observe the drying times for the supplied primer towel.

- Center the new outer seal -1- and the joint -arrows- with respect to the center of the rear roof opening.
- Remove the protective film from the adhesive tape -3- and press the seal onto the roof -2-.
- Press the outer seal on evenly to prevent any excess length.
- Using the Roller -3356-, press the outer seal two times firmly and evenly all the way around.
- Install the assembly frame. Refer to → [Chapter „Assembly Frame“](#).

Copyright VW AG

Repair manual

ElsaPro Job number: 121252

DMS order number:

VIN: -

Sales code: **5N27V3**

Engine code: **CCTA**

Official license plate:

User name: -

Model Year: **2012**

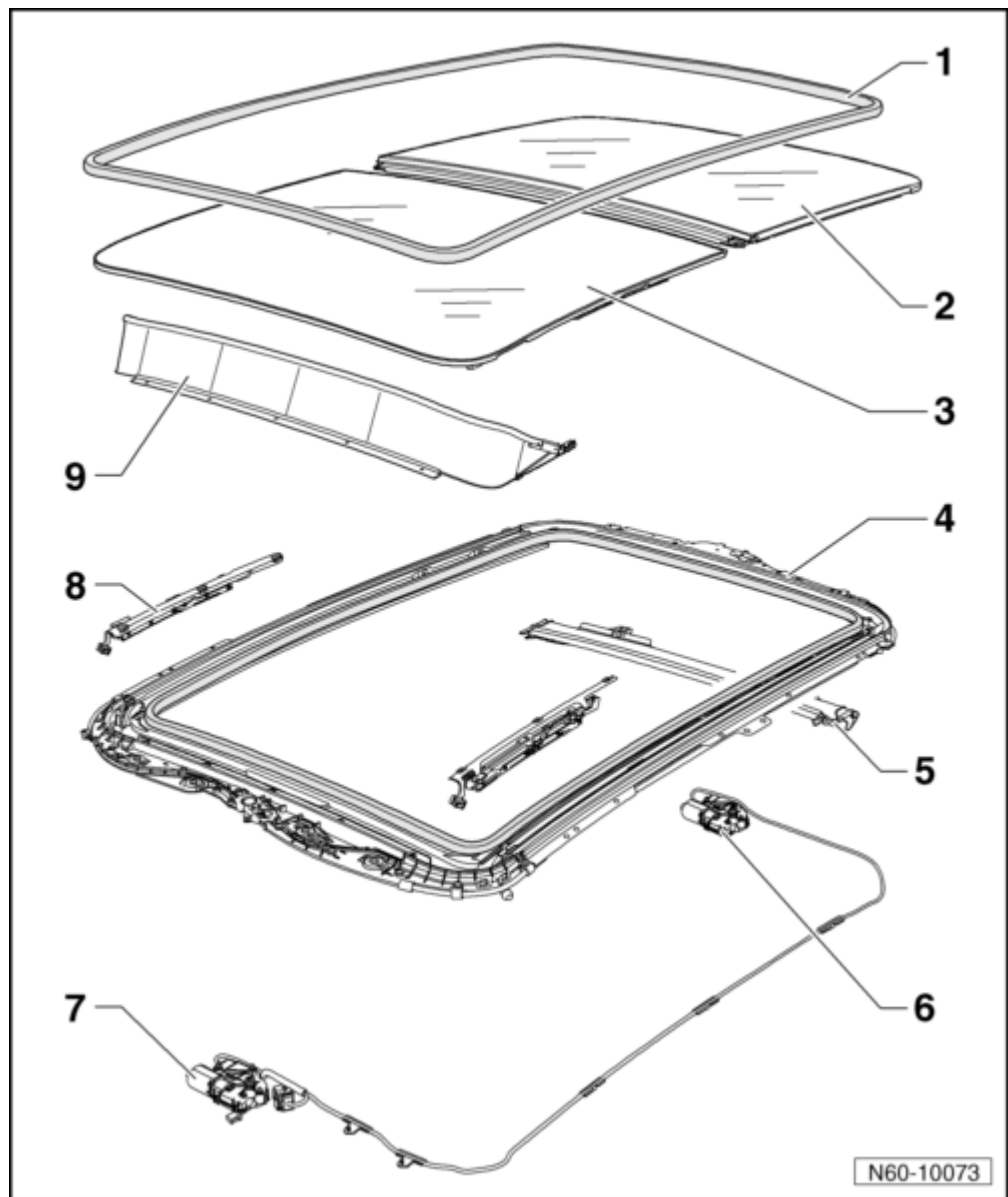
Model description: **Tiguan 2.0 US 4M147 TSIA6A**

Transmission code: **MYZ**

Final drive code:

Service advisor - name:

Overview - Panorama Sunroof



1 - Outer Seal

- Replacing, refer to → [Chapter „Outer Seal, Replacing and Installing“](#).

2 - Rear Glass Panel

- Removing and installing, refer to → [Chapter „Rear Glass Panel“](#).
- Adjusting, refer to → [Chapter „Front and Rear Glass Panel Height, Adjusting“](#).

3 - Front Glass Panel

- Removing and installing, refer to → [Chapter „Glass Panel“](#).
- Adjusting, refer to → [Chapter „Front and Rear Glass Panel Height, Adjusting“](#).

4 - Assembly Frame

- Overview, refer to → [Chapter „Overview - Assembly Frame“](#).
- Removing and installing, refer to → [Chapter „Assembly Frame“](#).

5 - Sun Shade

- Removing and installing, refer to → [Chapter „Sun Shade“](#).

6 - Sunshade Motor

- Removing and installing, refer to → [Chapter „Sun Shade Motor“](#).
- Initialization, refer to → [Chapter „Panorama Sunroof Basic Setting“](#)

7 - Sunroof Motor

- Removing and installing, refer to → [Chapter „Sunroof Motor“](#).
- Initialization, refer to → [Chapter „Panorama Sunroof Basic Setting“](#)

8 - Tilting Mechanism

- Removing and installing, refer to → [Chapter „Front Sunroof Glass Panel Tilt Mechanism and Cable“](#).

9 - Wind Deflector

- Removing and installing, refer to → [Chapter „Wind Deflector“](#).

Copyright VW AG

Repair manual

ElsaPro Job number: 121252

DMS order number:

VIN: -

Sales code: **5N27V3**

Engine code: **CCTA**

Official license plate:

User name: -

Model Year: **2012**

Model description: **Tiguan 2.0 US 4M147 TSIA6A**

Transmission code: **MYZ**

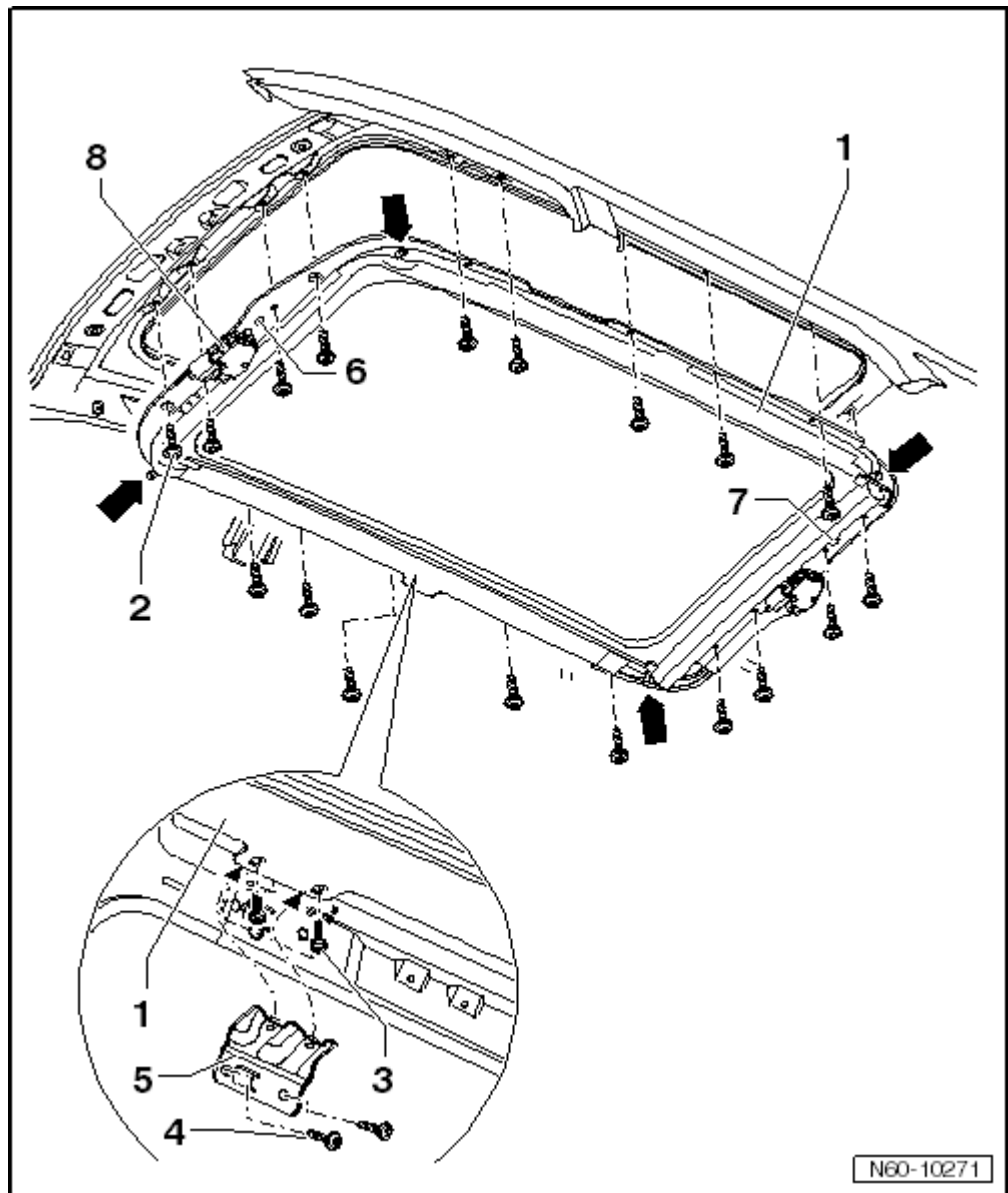
Final drive code:

Service advisor - name:

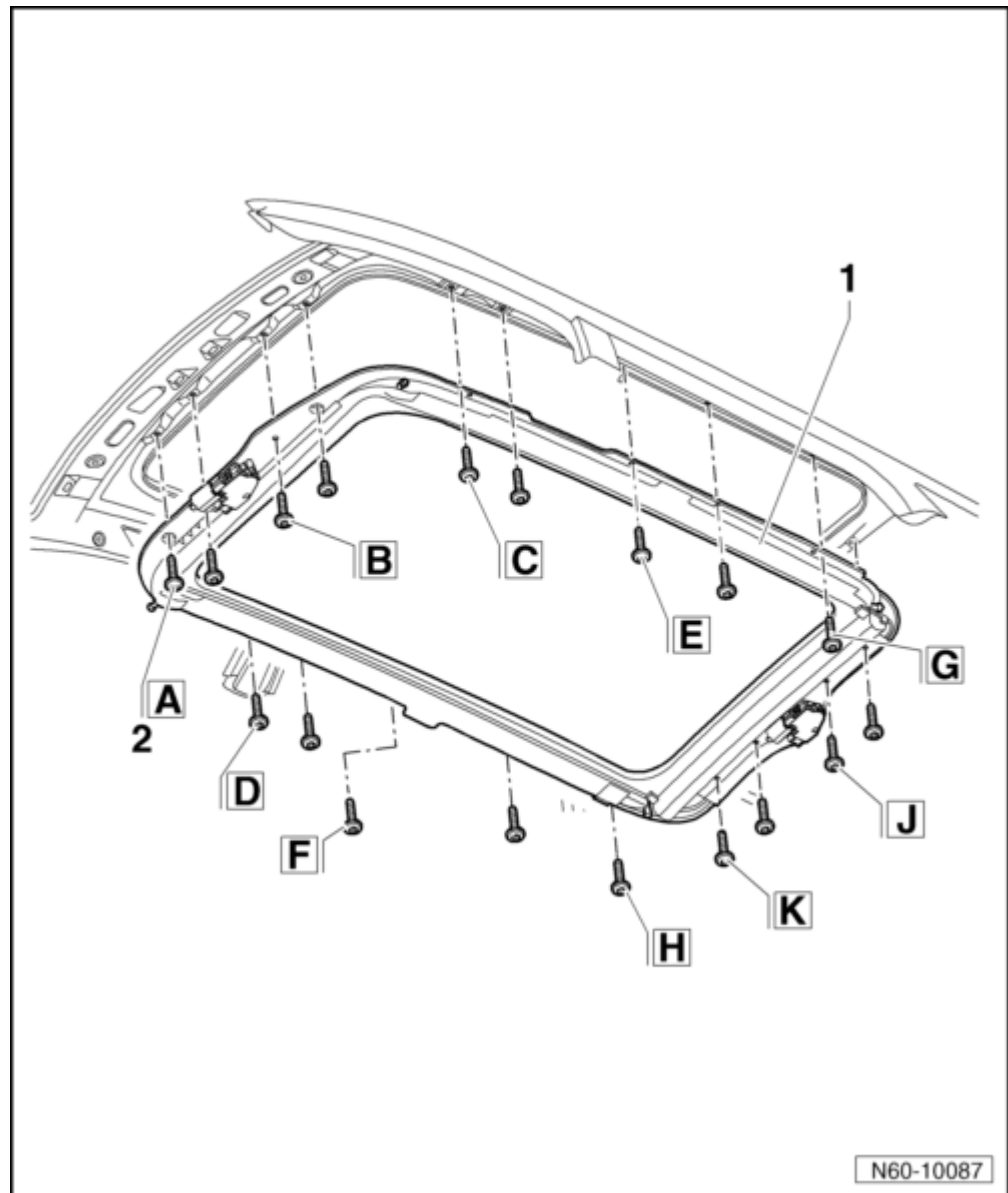
Installing

Special tools and workshop equipment required

- ◆ Roller -3356-
- ◆ Torque Wrench 1783 - 2-10Nm -VAG1783-
- ◆ Adhesive Strip Remover -VAS6349-



- Lift the assembly frame -1- into the vehicle with a second technician.
- Align the assembly frame by using 2 cylindrical pins (reversed drill bit) on the roof centering holes -6- and -7-.
- Insert the bolts -2- but do not tighten them.
- Tighten the bolts -3- to 8 Nm.
- Tighten the bolts -4- to 4.5 Nm.



- Tighten first the screws identified with letters -2- in alphabetical order to 8 Nm.
- Tighten the remaining screws -2- on the assembly frame -1- to 8 Nm.

Install in reverse order of removal.

Vehicles with screen separator wall:

- Install the screen separator bracket, refer to
→ Rep. Gr.68.

All vehicles:

- Install the grab handle (roof), refer to
→ Rep. Gr.68.
- Install the headliner, refer to
→ Rep. Gr.70.

Copyright VW AG

Repair manual

ElsaPro Job number: 121252

DMS order number:

VIN: -

Sales code: **5N27V3**

Engine code: **CCTA**

Official license plate:

User name: -

Model Year: **2012**

Model description: **Tiguan 2.0 US 4M147 TSIA6A**

Transmission code: **MYZ**

Final drive code:

Service advisor - name:

Installing

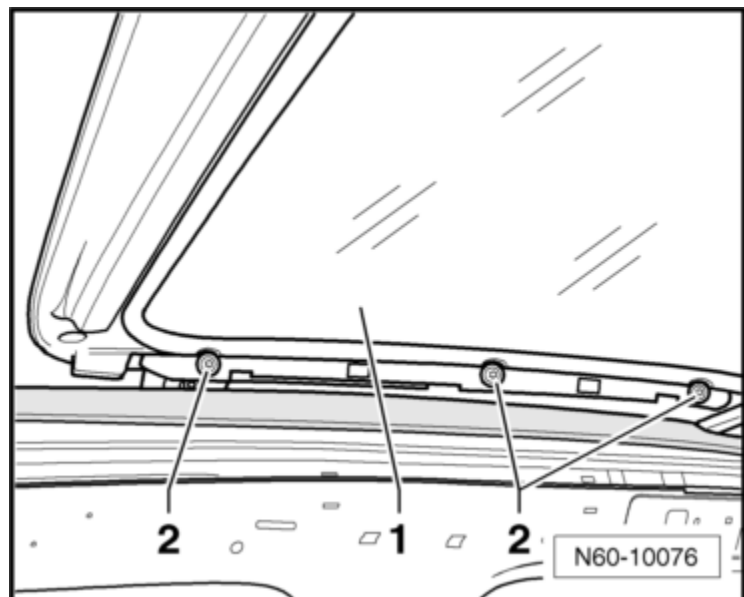
Special tools and workshop equipment required

- ◆ Roller -3356-
- ◆ Torque Wrench 1783 - 2-10Nm -VAG1783-
- ◆ Adhesive Strip Remover -VAS6349-

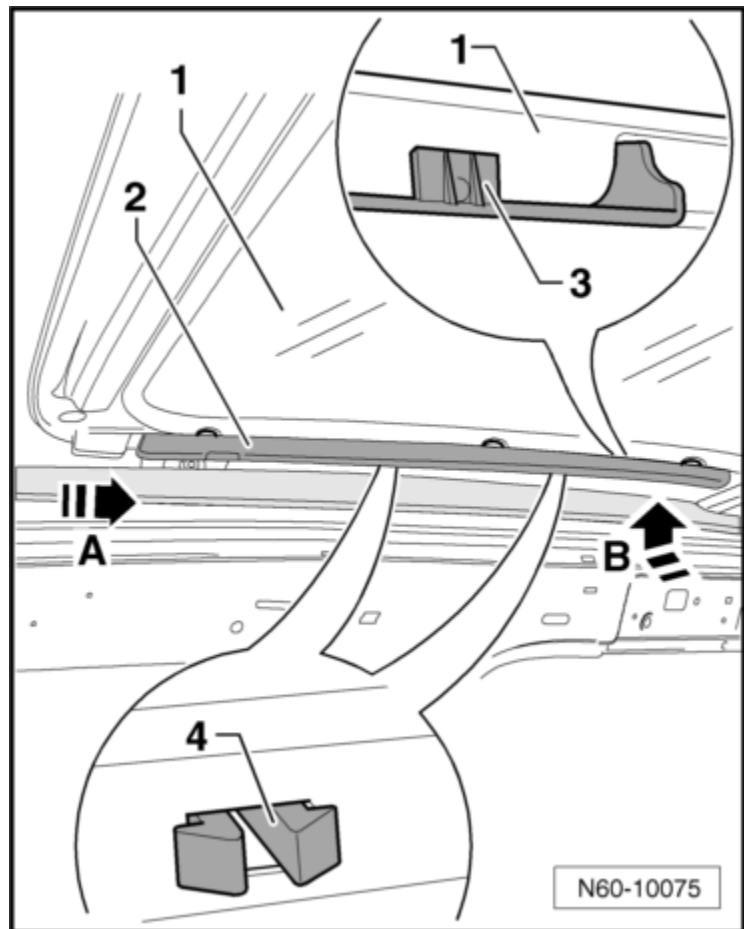


Note

- ◆ *New screws are to be used when installing the glass panel.*
- ◆ *When removing the screws, use a magnetic tool so that the screws cannot fall into the guide for the panorama sunroof mechanism.*
- Install the glass panel -1- from above and install the bolts -2-, but do not tighten them.
- Front Glass Sunroof Panel, Adjusting, refer to → **Chapter „Front and Rear Glass Panel Height, Adjusting“**.
- Tighten the bolts -2- to 5 Nm.



- Engage the front trim -2- into the glass panel -1- and slide it in direction of -arrow A-.
- Insert the tabs -4-.
- Engage the retaining tab -3- on the back -arrow B-.
- After finishing all work, perform a adaptation procedure for the sunroof motor, refer to → [Chapter „Panorama Sunroof Basic Setting“](#).



Copyright VW AG

Repair manual

ElsaPro Job number: 121252

DMS order number:

VIN: -

Sales code: **5N27V3**

Engine code: **CCTA**

Official license plate:

User name: -

Model Year: **2012**

Model description: **Tiguan 2.0 US 4M147 TSIA6A**

Transmission code: **MYZ**

Final drive code:

Service advisor - name:

Installing

Special tools and workshop equipment required

- ◆ Roller -3356-
- ◆ Torque Wrench 1783 - 2-10Nm -VAG1783-
- ◆ Adhesive Strip Remover -VAS6349-

Install in reverse order of removal.



Note

- ◆ *New screws are to be used when installing the glass panel.*
- ◆ *When removing the screws, use a magnetic tool so that the screws cannot fall into the guide for the panorama sunroof mechanism.*

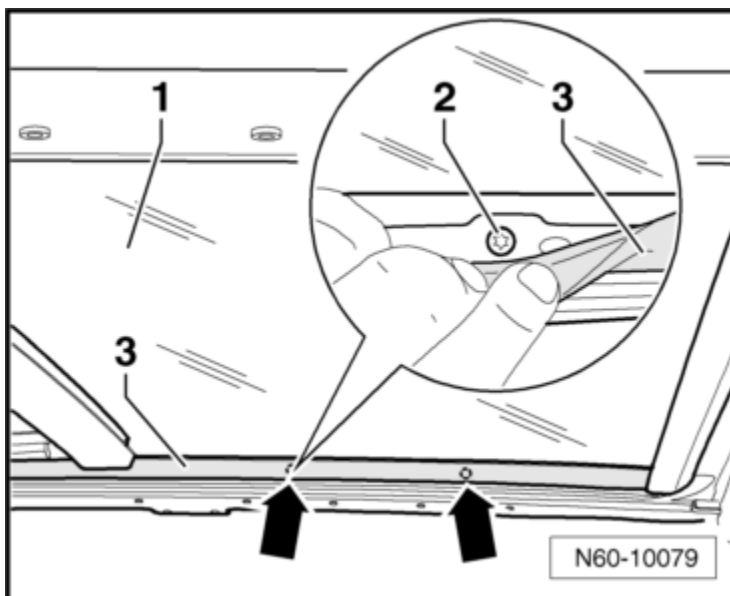
– Install the glass panel from the top into the roof.

– Gently pull the inner seal -3- inward at the marked locations -arrow- and install the screws -2-, but do not tighten them.

– Adjust the rear glass panel, refer to → [Chapter „Front and Rear Glass Panel Height, Adjusting“](#).

– After the rear glass panel is adjusted, tighten the screws to 5 Nm.

– After completing all work, perform an adaptation of the sunroof motor, refer to → [Chapter „Panorama Sunroof Basic Setting“](#).



Copyright VW AG

Repair manual

ElsaPro Job number: 121252

DMS order number:

VIN: -

Sales code: **5N27V3**Engine code: **CCTA**

Official license plate:

User name: -

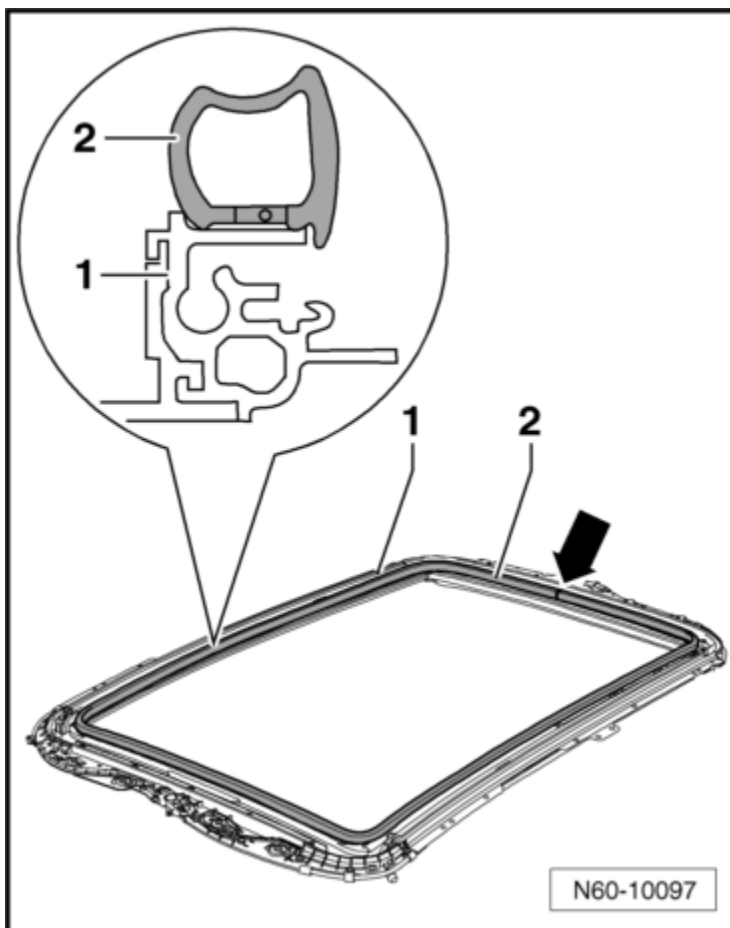
Model Year: **2012**Model description: **Tiguan 2.0 US 4M147 TSIA6A**Transmission code: **MYZ**

Final drive code:

Service advisor - name:

Inner Seal, Replacing

- Remove the front glass sunroof panel, refer to → Chapter „Glass Panel“.
- Remove the rear glass sunroof panel, refer to → Chapter „Rear Glass Panel“.
- Remove the inner seal -2- from the assembly frame -1-.
- Remove any adhesive residue using Adhesive Strip Remover - VAS6349-.
- Make sure there is no dust or grease on the adhesive surface.
- Clean the adhesive surface thoroughly with Cleaning Solution -D 009 401 04-.
- Wipe the adhesive surface on the assembly frame using the primer towel supplied.
- Place the inner seal -2- in the center of the rear roof opening on the adhesive side of the assembly frame -1-.
- Remove the protective foil from the adhesive tape on the inner seal in sections and press it on.
- Press seal on evenly to prevent any excess length.
- Press the inner seal down using the Roller - 3356- two times evenly all around.
- Install the rear glass sunroof panel, refer to → Chapter „Rear Glass Panel“.
- Install the front glass sunroof panel, refer to → Chapter „Glass Panel“.



Copyright VW AG

Repair manual

DMS order number:

VIN: -

Sales code: **5N27V3**

Engine code: **CCTA**

Official license plate:

User name: -

ElsaPro Job number: 121252

Model Year: **2012**

Model description: **Tiguan 2.0 US 4M147 TSIA6A**

Transmission code: **MYZ**

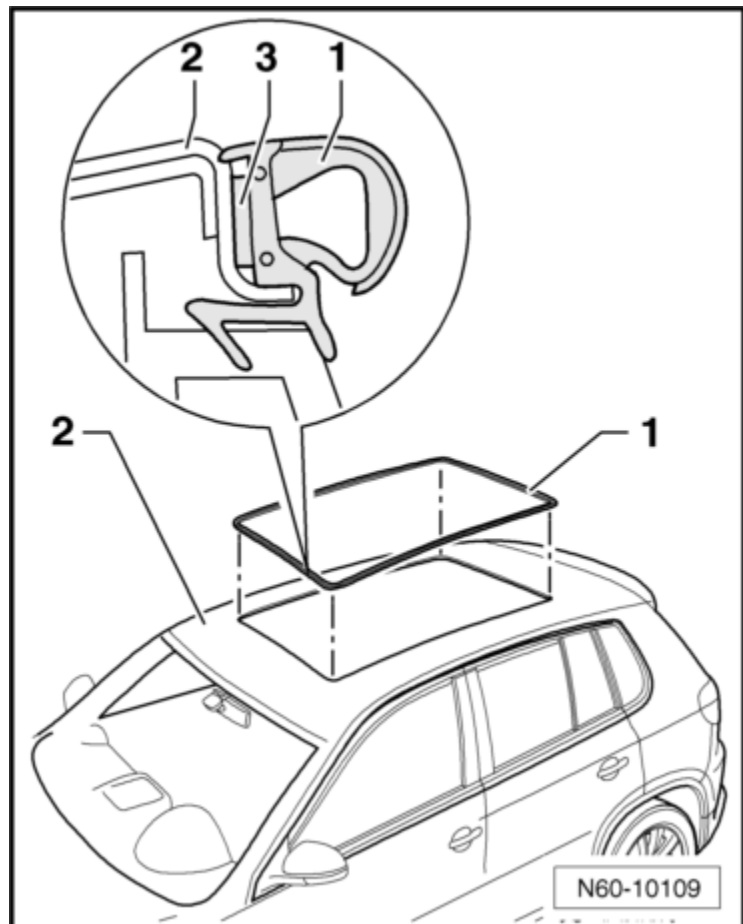
Final drive code:

Service advisor - name:

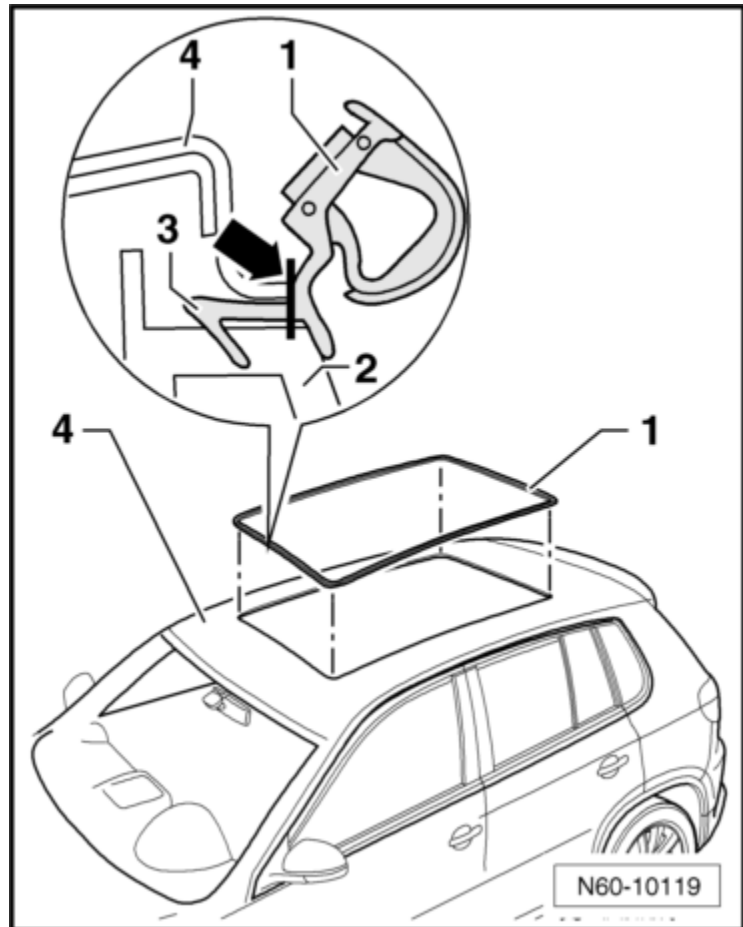
Outer Seal, Replacing and Installing

Special tools and workshop equipment required

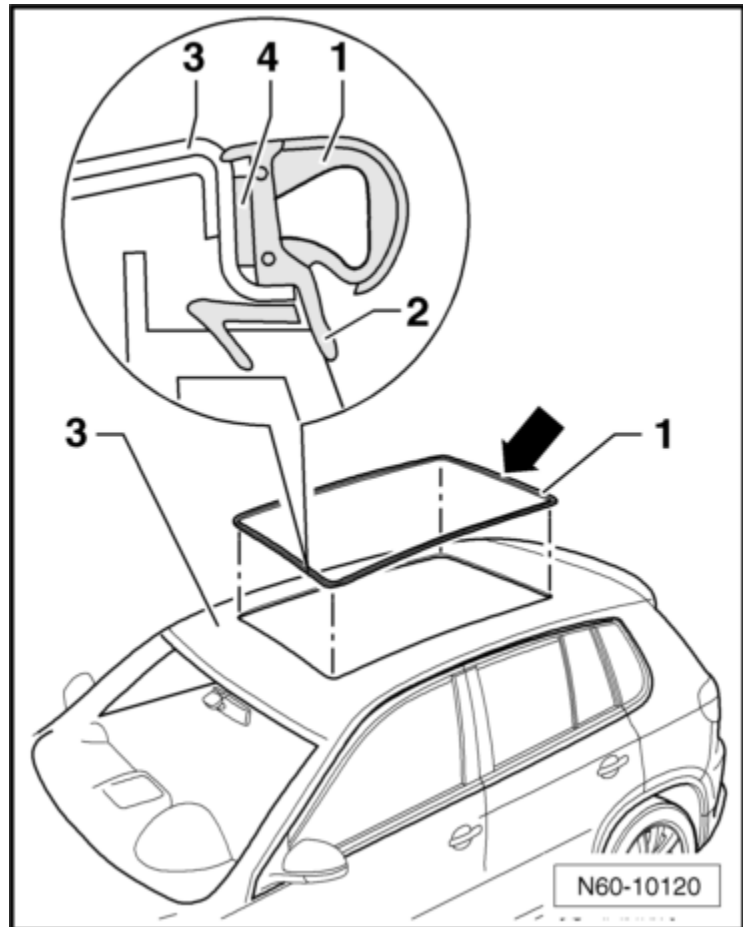
- ◆ Roller -3356-
- ◆ Torque Wrench 1783 - 2-10Nm -VAG1783-
- ◆ Adhesive Strip Remover -VAS6349-
- Remove the front glass sunroof panel, refer to → [Chapter „Glass Panel“](#).
- Remove the rear glass sunroof panel, refer to → [Chapter „Rear Glass Panel“](#).
- Remove the outer seal -1- with the adhesive surface -3- from the roof -2-.



- Cut the profile of the outer seal -1- in the area -arrow- flush to the roof edge -4- all the way around.
- The remainder -3- stays between the roof -4- and the assembly frame -2-.
- Remove any adhesive residue using Adhesive Strip Remover - VAS6349-.
- The adhesion surface on the roof cutout must be free of dust and grease.
- Clean the adhesive surface thoroughly with Cleaning Solution -D 009 401 04-.
- Wipe the adhesive surface on the roof cutout using the primer towel supplied.
- Always pay attention to the drying time for the primer towel supplied.



- Center the new outer seal -1- so that the joint -arrow- is at the center of the rear roof opening.
- Remove the protective film from the adhesive tape -4- on the new outer seal -1- and press the seal onto the roof -3- .
- Press the seal on evenly so that it does not stretch and become too long.
- Press the outer seal down using the Roller - 3356- two times evenly all around.
- Install the rear glass sunroof panel, refer to → [Chapter „Rear Glass Panel“](#).
- Install the front glass sunroof panel, refer to → [Chapter „Glass Panel“](#).



Copyright VW AG

Repair manual

DMS order number:

VIN: -

Sales code: **AJ53S3**

Engine code: **CBUA**

Official license plate:

User name:

ElsaPro Job number: 121312

Model Year: **2012**

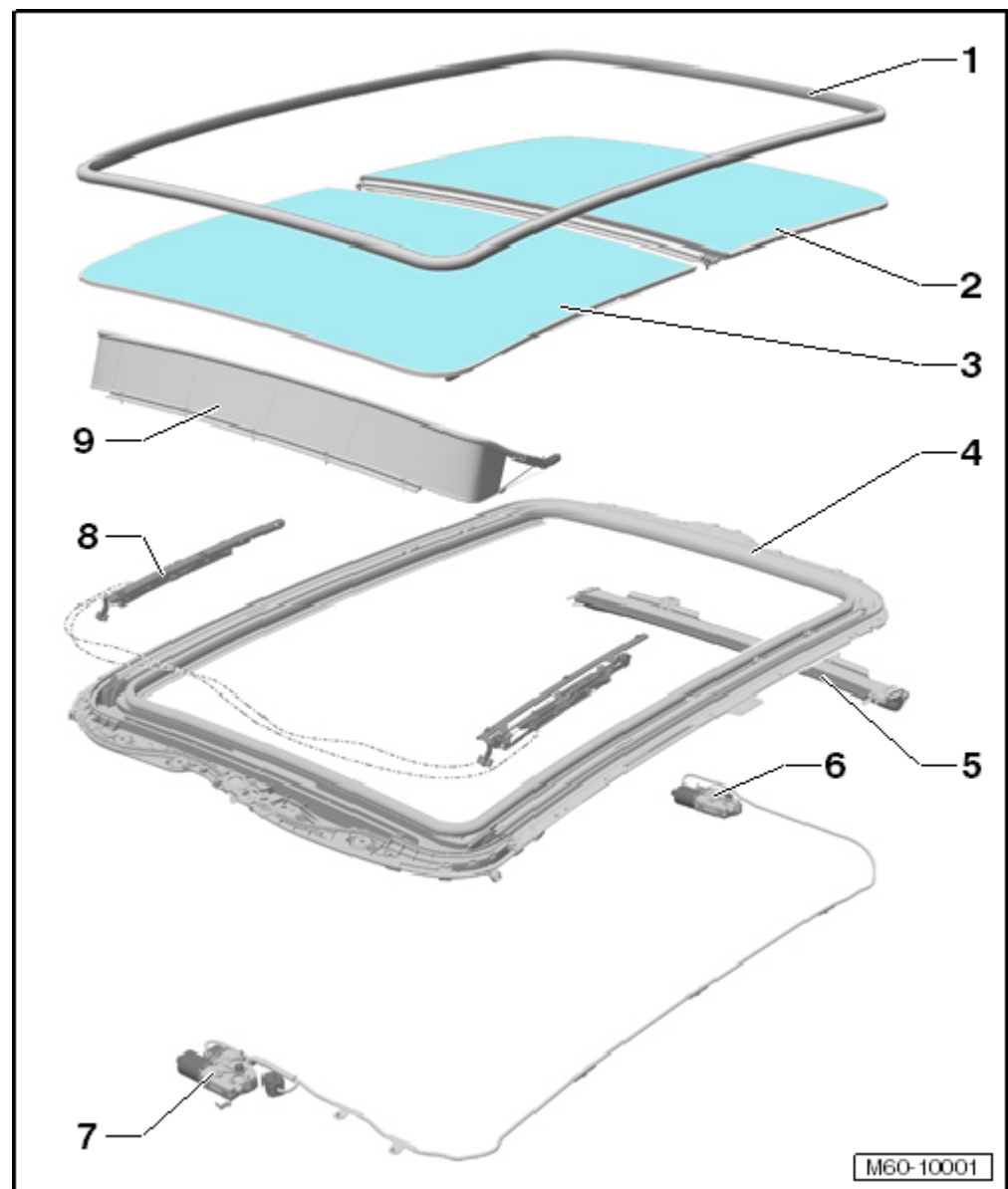
Model description: **Wagon 2.5 Comfo 125 A6F**

Transmission code: **MAN**

Final drive code:

Service advisor - name:

Panorama Sunroof Assembly Overview



1 - Outer Seal

- Replacing. Refer to → [Chapter „Outer Seal“](#).

2 - Rear Glass Panel

- Removing and Installing. Refer to → [Chapter „Rear Glass Panel“](#).
- Adjusting. Refer to → [Chapter „Front and Rear Glass Panel Height, Adjusting“](#).

3 - Front Glass Panel

- Removing and Installing. Refer to → [Chapter „Glass Panel“](#).
- Adjusting. Refer to → [Chapter „Front and Rear Glass Panel Height, Adjusting“](#).

4 - Assembly Frame

- Assembly Overview. Refer to → [Chapter „Assembly Frame Assembly Overview“](#).
- Removing and Installing. Refer to → [Chapter „Assembly Frame“](#).

5 - Sun Shade

- Removing and Installing. Refer to → [Chapter „Sun Shade“](#).

6 - Sunshade Motor

- Removing and Installing. Refer to → [Chapter „Sun Shade Motor“](#).
- Adaptation → [Chapter „Adaptation Panorama Sunroof“](#)

7 - Sunroof Motor

- Removing and Installing. Refer to → [Chapter „Sunroof Motor“](#).
- Adaptation → [Chapter „Adaptation Panorama Sunroof“](#)

8 - Tilting Mechanism

- Removing and Installing. Refer to → [Chapter „Front Sunroof Glass Panel Tilt Mechanism and Cable“](#).

9 - Wind Deflector

- Removing and Installing. Refer to → [Chapter „Wind Deflector“](#).

Copyright VW AG

Repair manual

ElsaPro Job number: 121312

DMS order number:

VIN: -

Sales code: **AJ53S3**

Engine code: **CBUA**

Official license plate:

User name:

Model Year: **2012**

Model description: **Wagon 2.5 Comfo 125 A6F**

Transmission code: **MAN**

Final drive code:

Service advisor - name:

Assembly Frame

Removing



Note

At least two technicians are needed for removing and installing the assembly frame.

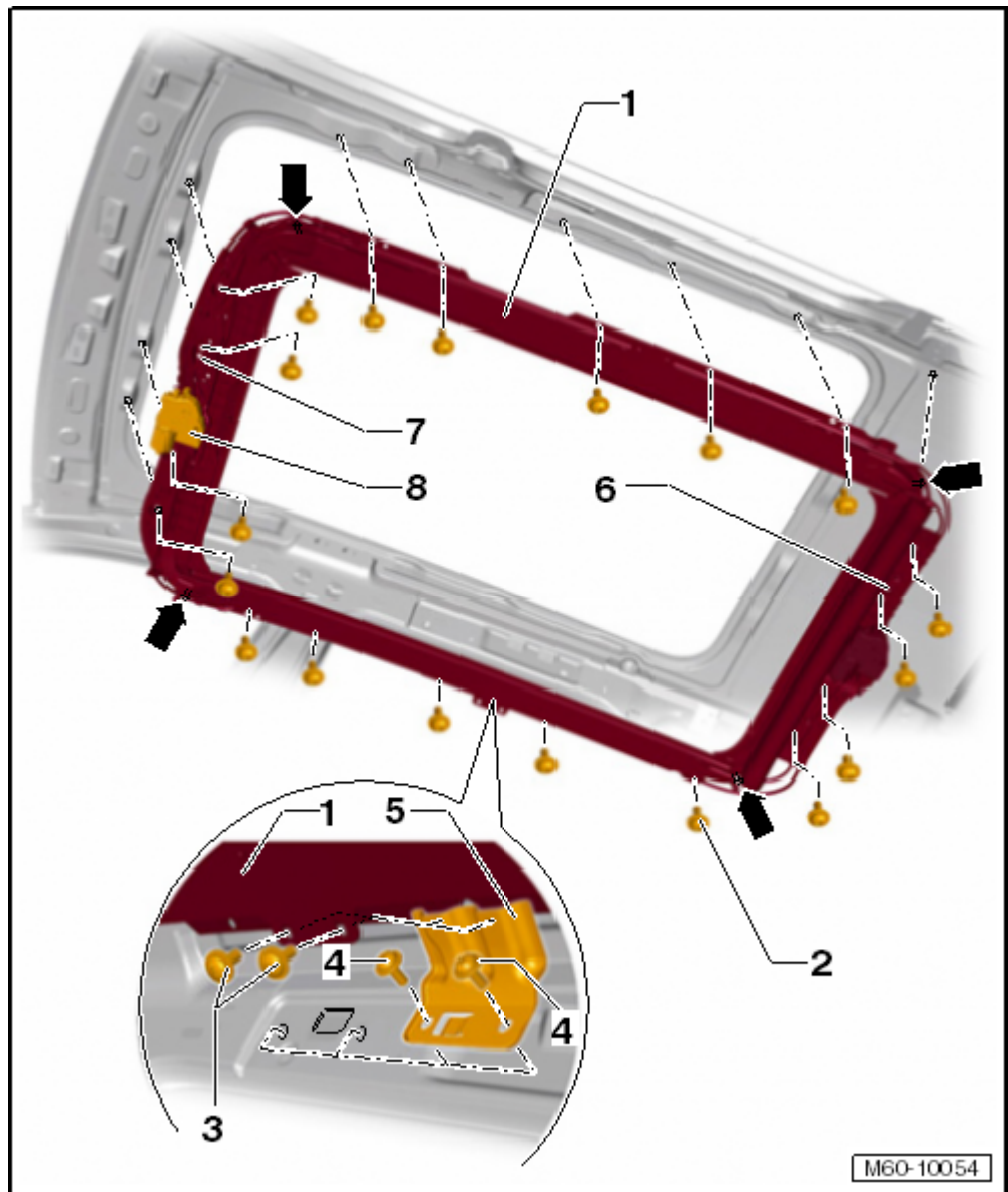
- Remove the headliner. Refer to
→ [Rep. Gr.70](#).

Vehicles with Screen Separator Wall:

- Remove the screen separator bracket. Refer to
→ [Rep. Gr.68](#).

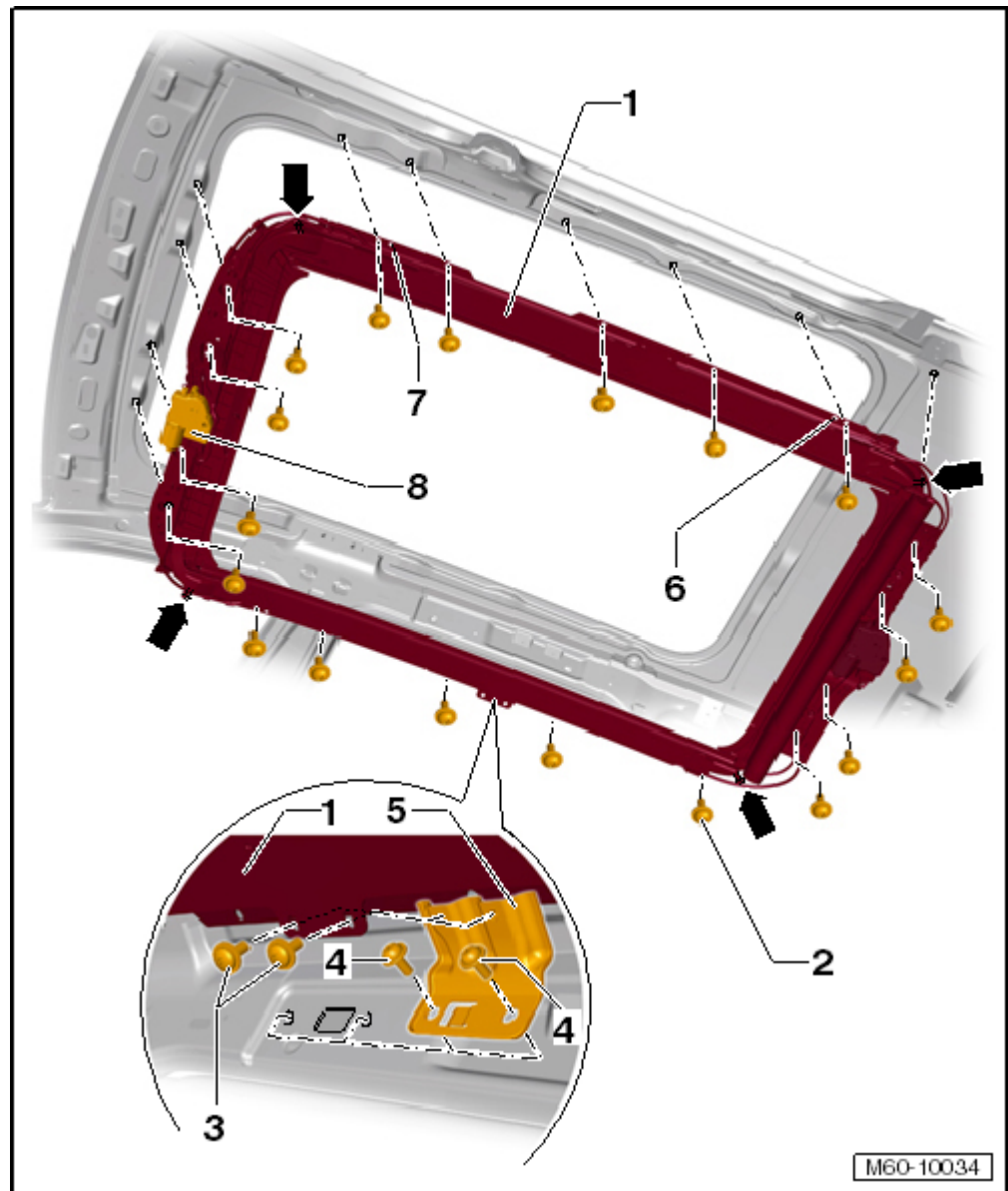
All Vehicles:

- Remove the grab handle bracket. Refer to
→ [Rep. Gr.68](#).

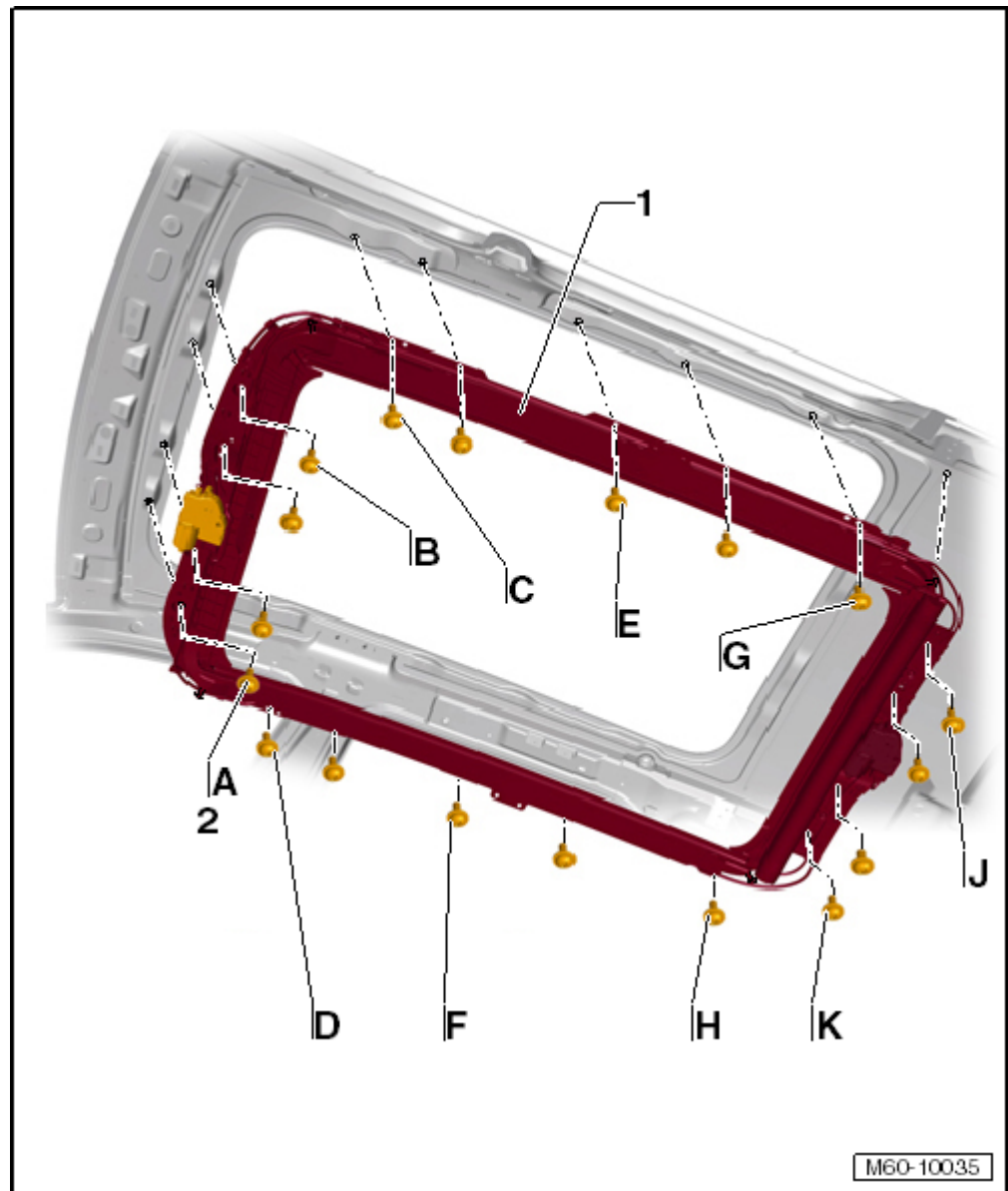


- Disconnect the water drain hoses from the connectors -arrows- in the assembly frame -1-.
- Disconnect the electrical connector leading to the harness from the sun roof motor -8-.
- Remove the bolts -3- and -4- for the bracket -5- and remove the left and right brackets.
- Remove the bolts -2- from the assembly frame -1- and remove the assembly frame from the vehicle with the help of a least one more technician.

Installing



- If necessary, install a new inner seal. Refer to → Chapter „Inner Seal, Replacing“.
- If necessary, install a new outer seal. Refer to → Chapter „Outer Seal“.
- Lift the assembly frame -1- into the vehicle with a second technician.
- Align the assembly frame by using 2 cylindrical pins (reversed drill bit 8 mm) on the roof centering holes -6- and -7- .
- Install the screws -2-, but do not tighten yet.
- Tighten bolts -3-, tightening specification: 8 Nm.
- Tighten bolts -4-, tightening specification: 4.5 Nm.



- First tighten the bolts identified with letters -2- in alphabetical order to 8 Nm.
- Tighten the remaining bolts -1- on the assembly frame -1- to 8 Nm.

Install in reverse order of removal.

Vehicles with Screen Separator Wall:

- Install the screen separator bracket. Refer to
→ [Rep. Gr.68.](#)

All Vehicles:

- Install the grab handle bracket. Refer to
→ [Rep. Gr.68.](#)
- Install headliner. Refer to
→ [Rep. Gr.70.](#)

Tightening Specifications	
Bracket bolt -3-	8 Nm
Bracket bolt -4-	4.5 Nm

Copyright VW AG

Repair manual

DMS order number:

VIN: -

Sales code: **AJ53S3**

Engine code: **CBUA**

Official license plate:

User name:

ElsaPro Job number: 121312

Model Year: **2012**

Model description: **Wagon 2.5 Comfo 125 A6F**

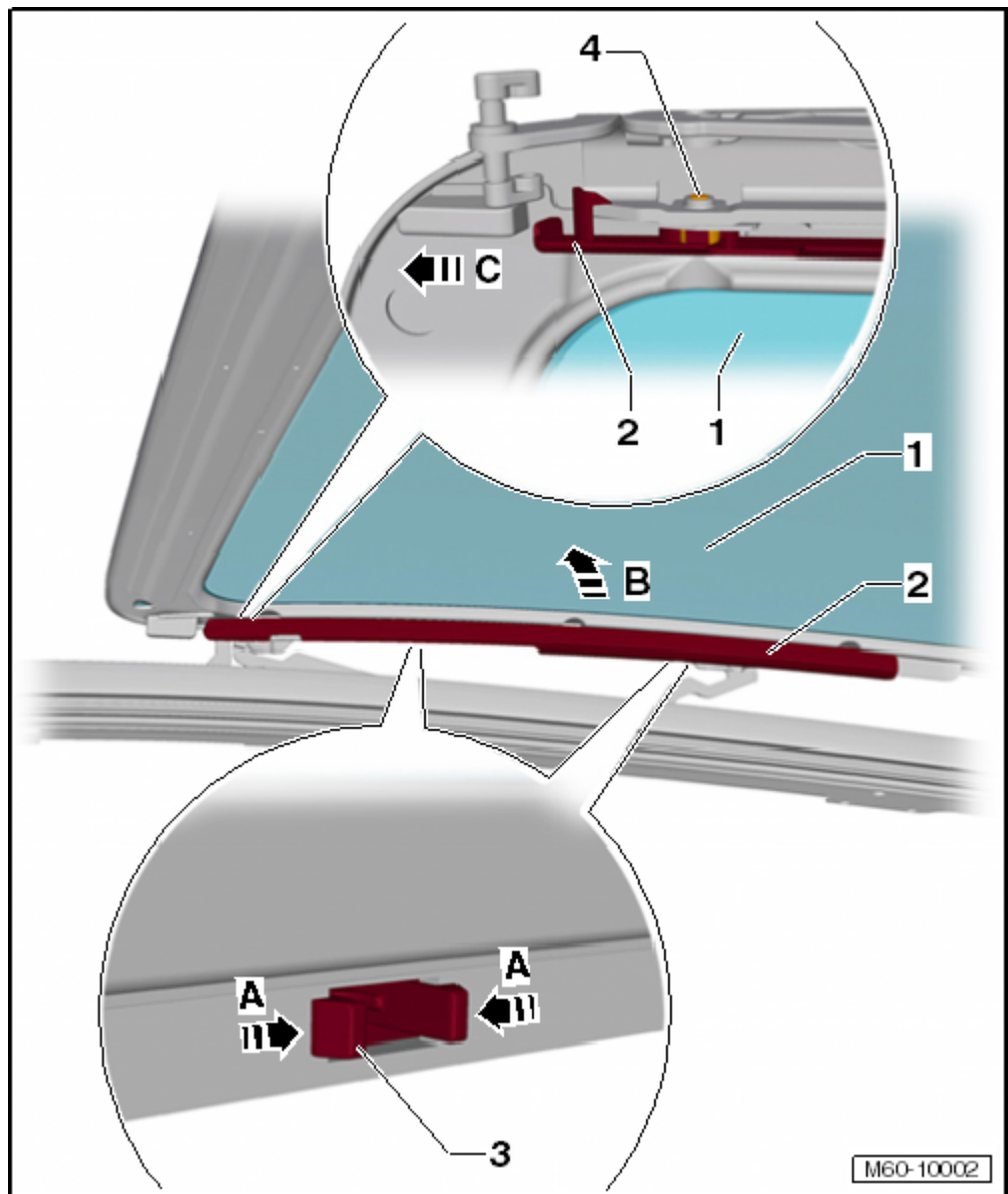
Transmission code: **MAN**

Final drive code:

Service advisor - name:

Glass Panel

Removing



- Open the glass panel -1- until the trim -2- is accessible.
- Engage the retaining tabs -3- by pressing on the back side in the direction of -arrow A- .
- Remove the trim -2- downward in the rear area in the direction of -arrow B- inward and from the bolt -4-.
- Slide the trim forward in the direction of -arrow C- and remove it.

- Remove the left and right bolts -2- from the glass sunroof panel -1-.

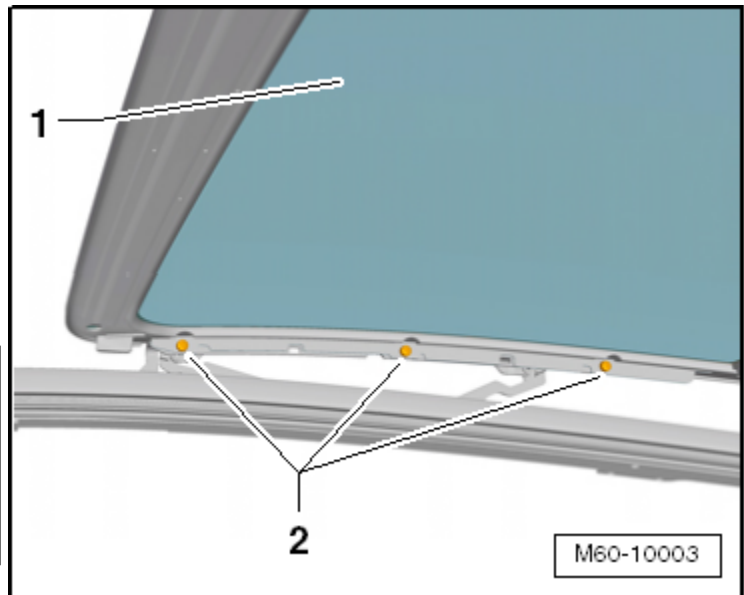
**Note**

When removing the bolts, use a magnetic tool so that the bolts cannot fall into the sunroof mechanism.

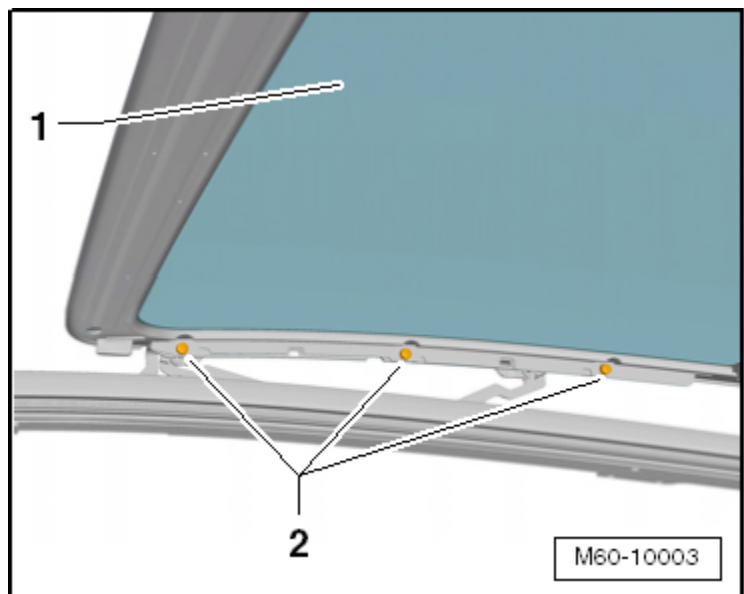
- Remove the glass sunroof panel upward.

**Caution**

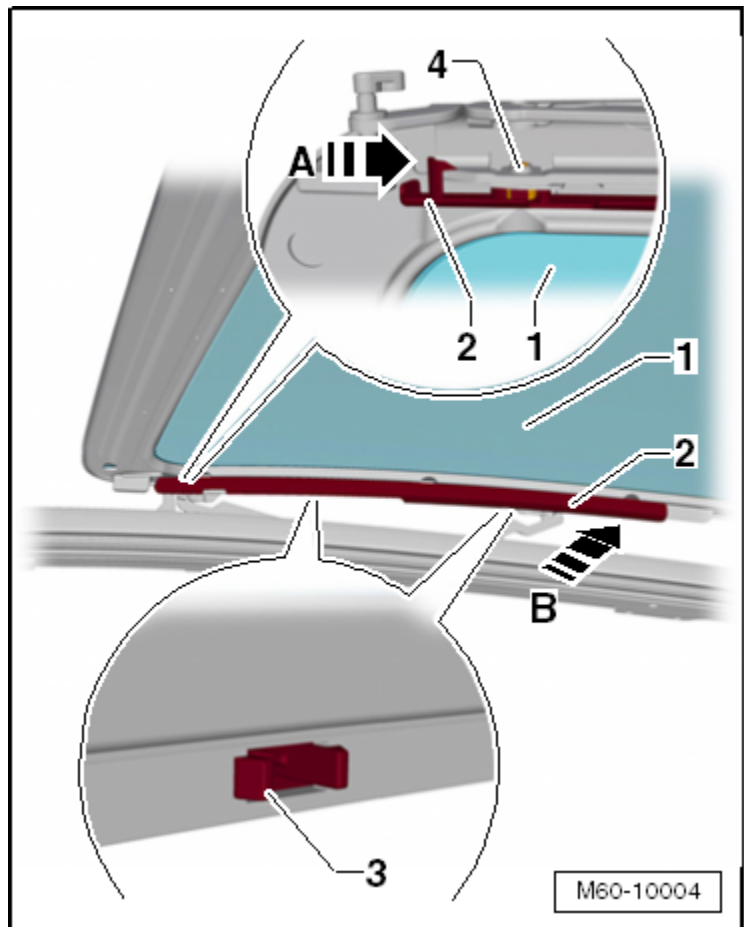
Do not try to use the tilt feature when the glass sunroof panel is not installed, otherwise the wind deflector could be damaged (scratched).

**Installing****Note**

- ◆ Always use new bolts when installing or removing the glass sunroof panel.
- ◆ When installing the bolts, use a magnetic tool so that the bolts cannot fall into the sunroof mechanism.
- Insert the glass sunroof panel -1- from the top and install the bolts -2- but do not tighten them.
- Install the front glass sunroof panel. Refer to → **Chapter „Front and Rear Glass Panel Height, Adjusting“**
- Tighten the bolts -2- to 5 Nm.



- Engage the front of the trim -2- in the glass panel -1--arrow A-
- Press the trim in the direction of the -arrow B- onto the bolt -4- and clip the retaining tabs -3- in on the rear side.
- After completing all the work, perform an sunroof motor adaptation. Refer to → Chapter „Adaptation Panorama Sunroof“.



Tightening Specifications	
Sunroof bolt	5 Nm

Sunroof bolt	5 Nm
--------------	------

Copyright VW AG

Repair manual

ElsaPro Job number: 121312

DMS order number:

VIN: -

Sales code: **AJ53S3**

Engine code: **CBUA**

Official license plate:

User name: -

Model Year: **2012**

Model description: **Wagon 2.5 Comfo 125 A6F**

Transmission code: **MAN**

Final drive code:

Service advisor - name:

Rear Glass Panel

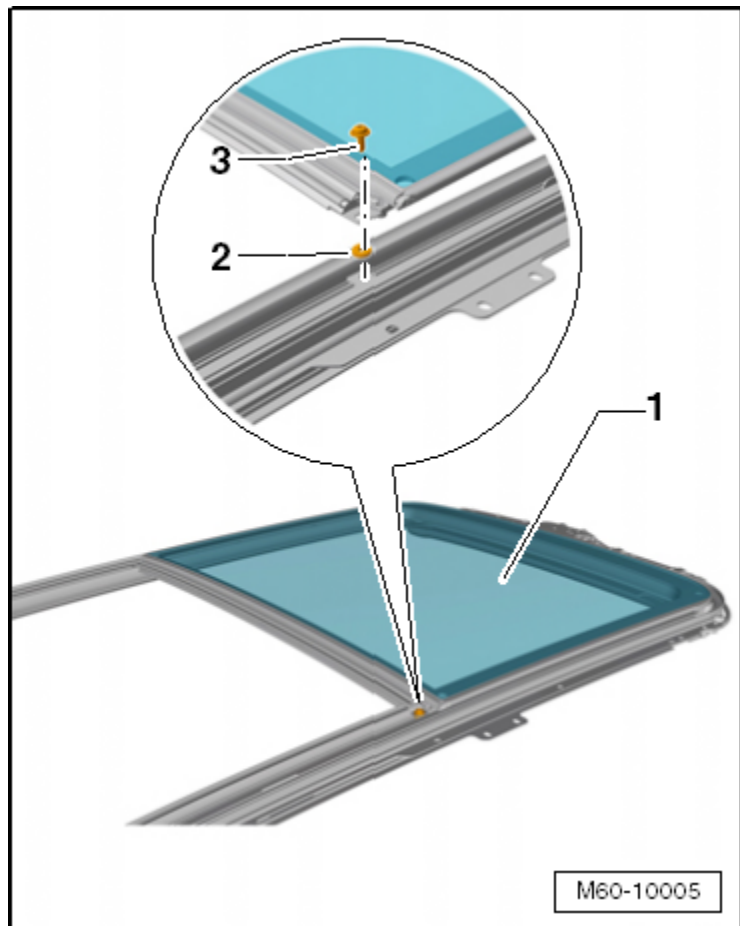
Removing



Note

When removing the bolts, use a magnetic tool so that the bolts cannot fall into the sunroof mechanism.

- Open the front glass roof panel completely by pressing the rotary switch past the comfort setting.
- Remove the rear glass sunroof panel -1- screws -3- .
- Remove the spacer -2- under the attachment surface.
- Move the front glass sunroof panel into the "tilted" position.



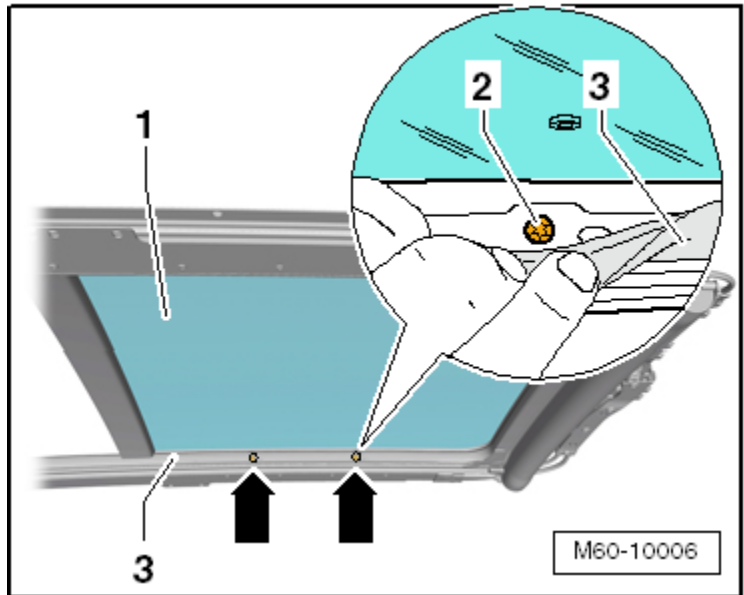
- Pull the inner seal -3- slightly where shown -arrow- and remove the screws -2- .
- Remove the rear glass sunroof panel -1- upward.

Installing

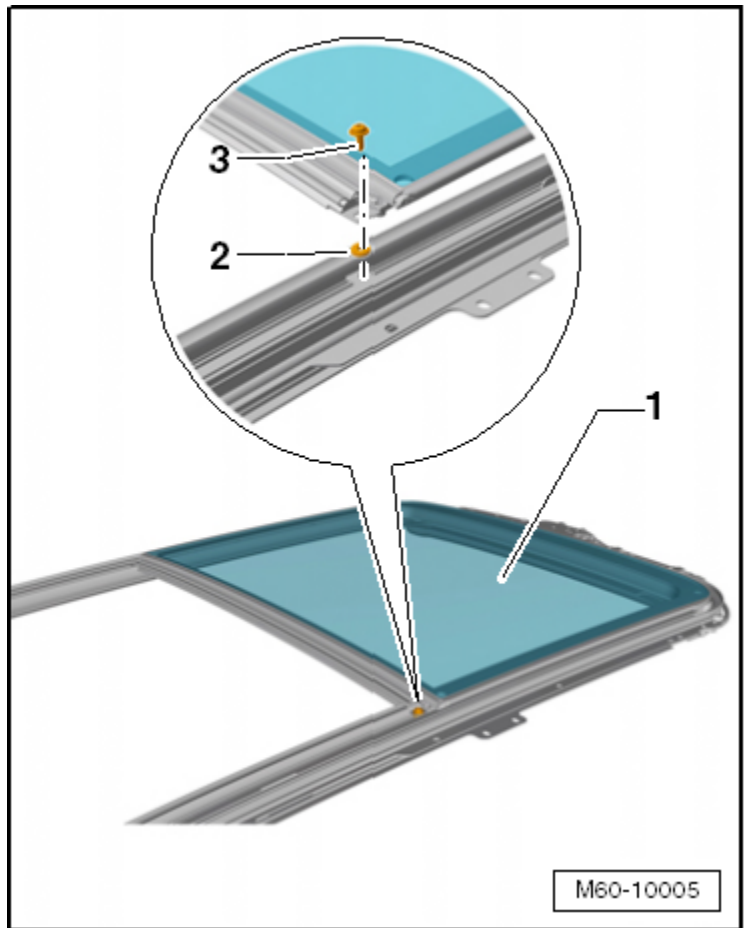
Install in reverse order of removal.

Note

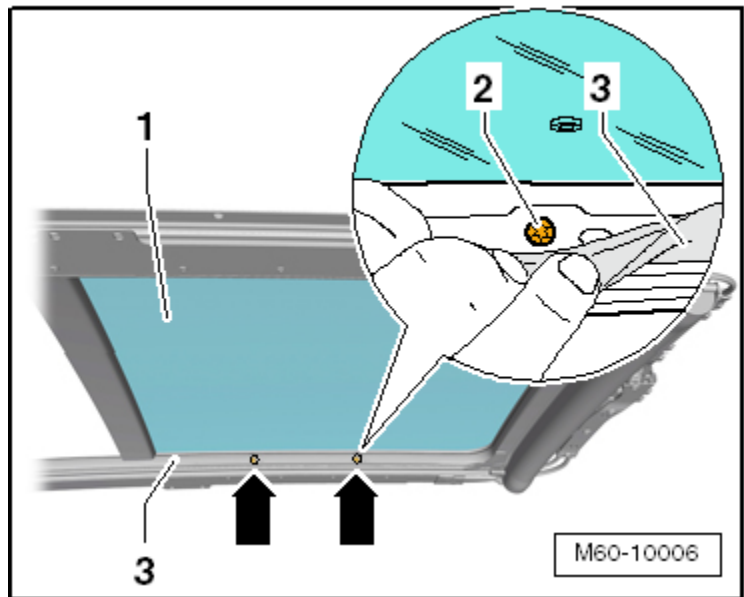
- ◆ Always use new bolts when installing or removing the glass sunroof panel.
- ◆ When installing the bolts, use a magnetic tool so that the bolts cannot fall into the sunroof mechanism.



- Insert the glass sunroof panel into the roof from the top.
- Install the spacer -2- and tighten the bolt -3- (5 Nm).



- Pull the inner seal -3- slightly where shown -arrow- and install the bolts -2- but do not tighten them.
- Install the rear glass sunroof panel. Refer to → [Chapter „Front and Rear Glass Panel Height, Adjusting“](#)
- Tighten the bolts to 5 Nm after adjusting the rear glass sunroof panel.
- After completing all the work, perform an sunroof motor adaptation. Refer to → [Chapter „Adaptation Panorama Sunroof“](#).



Tightening Specifications

Rear sunroof glass panel bolt	5 Nm
-------------------------------	------

Copyright VW AG

Repair manual

ElsaPro Job number: 121312

DMS order number:

VIN: -

Sales code: **AJ53S3**Engine code: **CBUA**

Official license plate:

User name: -

Model Year: **2012**Model description: **Wagon 2.5 Comfo 125 A6F**Transmission code: **MAN**

Final drive code:

Service advisor - name:

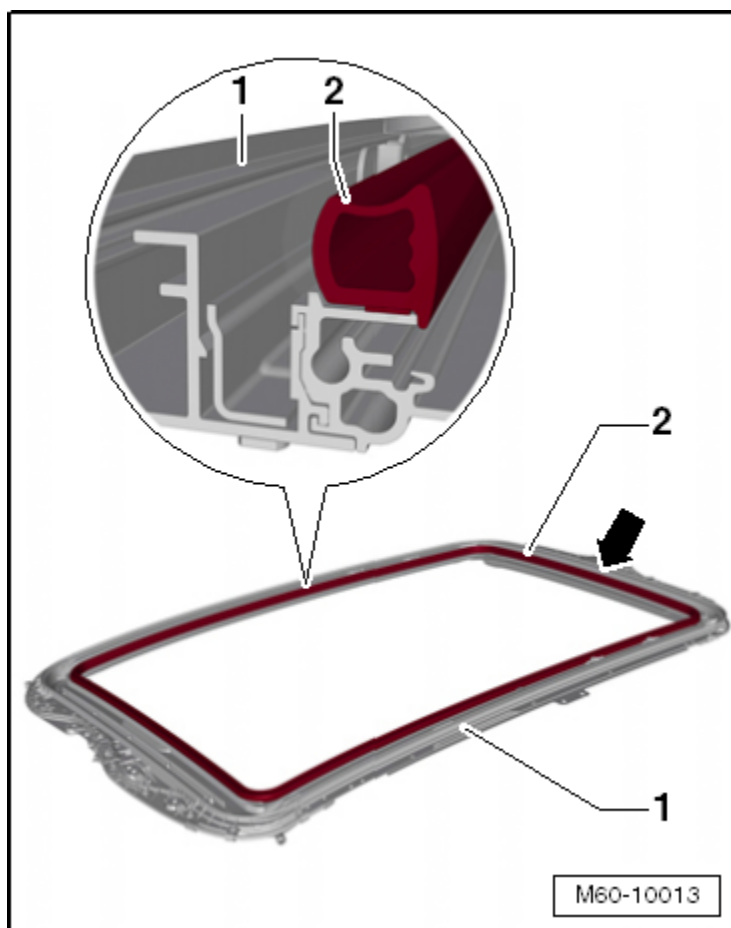
Inner Seal, Replacing

- Remove the front glass sunroof panel. Refer to → [Chapter „Glass Panel“](#).
- Remove the rear glass sunroof panel. Refer to → [Chapter „Rear Glass Panel“](#).
- Remove the inner seal -2- from the assembly frame -1-.
- Remove any adhesive residue with Adhesive Remover -VAS 6349-.
- Make sure there is no dust or grease on the adhesive surface.
- Clean adhesion surface thoroughly using Cleaning Solution -D 009 401 04-.

**Note**

In order for the seal to be effective, do not use in temperatures under 68 °F (20 °C).

- Place the new inner seal -2- in the center of the rear roof opening on the adhesive side of the assembly frame -1-.
- Remove the protective foil from the adhesive tape on the inner seal in sections and press it on.
- The seal should not be pulled in the curved areas for any reason as the seal will bulge easily.
- Press the inner seal using Roller -3356- two times evenly all around,
- Install the rear glass sunroof panel. Refer to → [Chapter „Rear Glass Panel“](#)
- Install the front glass sunroof panel. Refer to → [Chapter „Glass Panel“](#)



Copyright VW AG

Repair manual

DMS order number:

VIN: -

Sales code: **AJ53S3**

Engine code: **CBUA**

Official license plate:

User name: -

ElsaPro Job number: 121312

Model Year: **2012**

Model description: **Wagon 2.5 Comfo 125 A6F**

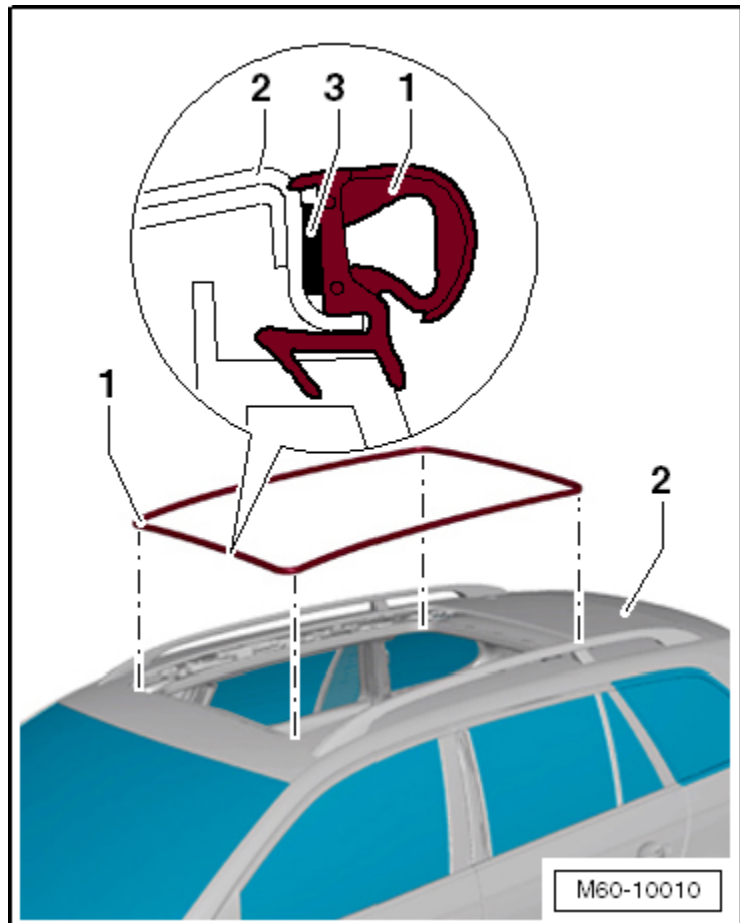
Transmission code: **MAN**

Final drive code:

Service advisor - name:

Outer Seal

- Remove the front glass sunroof panel. Refer to → Chapter „Glass Panel“.
- Remove the rear glass sunroof panel. Refer to → Chapter „Rear Glass Panel“.
- Remove the outer seal -1- in the adhesion area -3- from the roof -2- .

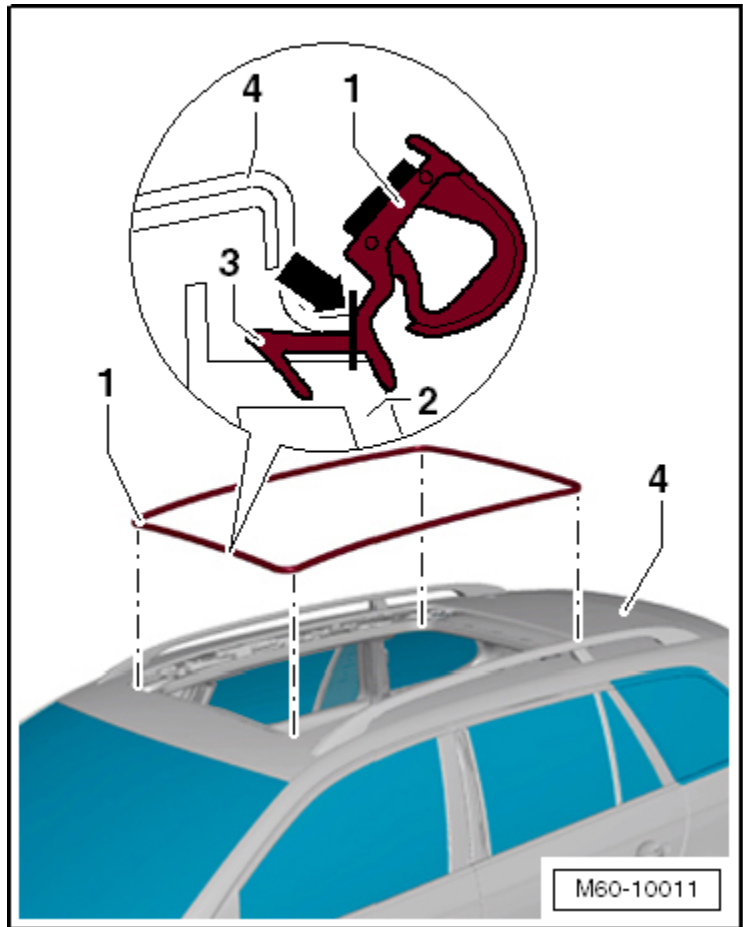


- Cut the profile of the outer seal -1- in the area -arrow- flush to the roof edge -4- all the way around.
- The remainder -3- stays between the roof -4- and the assembly frame -2-.
- Remove any adhesive residue with Adhesive Remover -VAS 6349-.
- The adhesion surface on the roof cutout must be free of dust and grease.
- Clean adhesion surface thoroughly using Cleaning Solution -D 009 401 04-.

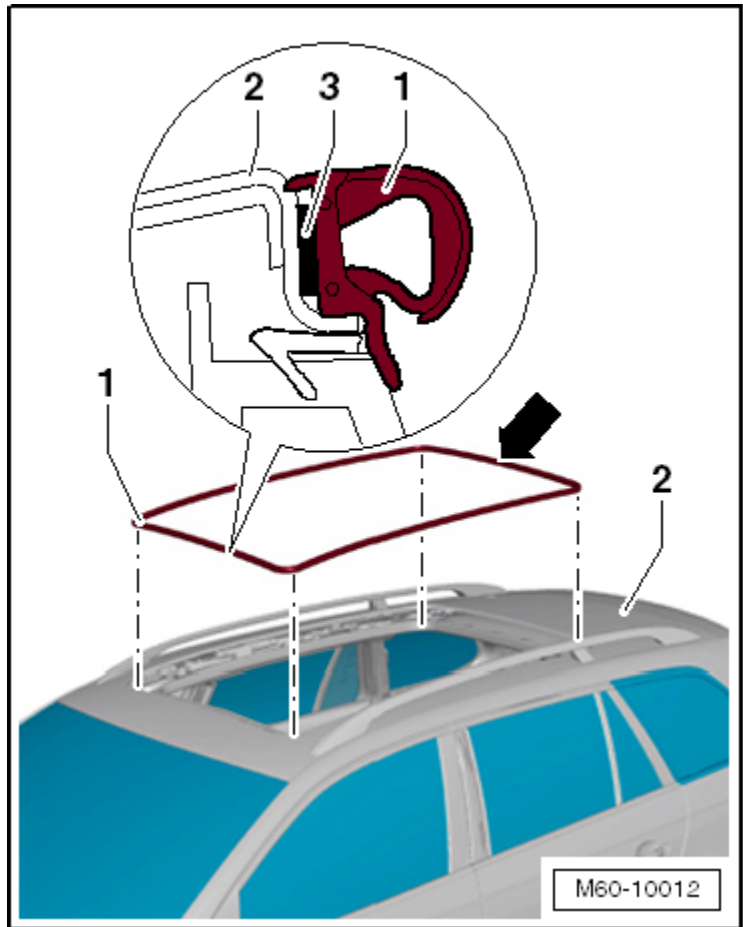


Note

- ◆ *The seal is supplied with excess length. Cut the new seal to the necessary length. It is recommended to leave the seal 1 - 2 mm longer than necessary so that it can be stretched during installation.*
- ◆ *In order for the seal to be effective, do not use in temperatures under 68 °F (20 °C).*
- ◆ *Install the glass panel 30 minutes after the bonding the outer seal so that the seal does not come loose again.*



- Center the new outer seal -1- so that the joint -arrow- is at the center of the rear roof opening.
- Remove the protective film from the adhesive tape -3- on the new outer seal -1- and press the seal onto the roof -3- .
- The seal should not be pulled in the curved areas for any reason as the seal will bulge easily.
- Press the outer seal down using the Roller -3356- two times evenly all around.
- Install the rear glass sunroof panel.
Refer to → [Chapter „Rear Glass Panel“](#)
- Install the front glass sunroof panel.
Refer to → [Chapter „Glass Panel“](#)



EA14-002

VOLKSWAGEN

8/24/2014

EXHIBIT TO REQUEST 8
REQUEST NUMBER 8 DATA

Response to question 8

Vehicle	Touareg		Tiguan		Jetta Sportwagen	
a. Marketing or Common item name	Power tilting/sliding panoramic sunroof		Power tilting/sliding panoramic sunroof		Power tilting/sliding panoramic sunroof	
b. Movable or Fixed glass panel system	Panel1 movable		Panel1 movable		Panel1 movable	
c. Single or multiple panel design (state no. of panels)	2 panel design		2 panel design		2 panel design	
d. Type of movable glass panel deployment design	Panel 1 tilting and sliding		Panel 1 tilting and sliding		Panel 1 tilting and sliding	
e. Sunshade type (manual or automatic, 1 or 2-piece)	automatic, 1-piece		automatic, 1-piece		automatic, 1-piece	
f. Location of glass panel(s)	In the roof		In the roof		In the roof	
	Panel 1	Panel 2	Panel 1	Panel 2	Panel 1	Panel 2
g. Size of panel(s) (length x width in centimeters)	68,9 x 96,5	72,7x 93,6	69 x 84,7	64,3 x 82,9	68,9 x 84,7	64,4 x 82,9
h. Thickness of glass panel(s) (millimeters)	5,0mm	5,0mm	5,0mm	5,0mm	5,0mm	5,0mm
i. Weight of glass panel(s) (kilograms)	8.28	8.48	7.4	5.8	7.39	5.8
j. Type of glass used as classified in ANSI/SAE Z26.1 (i.e. laminated, tempered, tempered-laminated, etc.)	Tempered Glass (according to ANSI)	Tempered Glass (according to ANSI)	Tempered Glass (according to ANSI)	Tempered Glass (according to ANSI)	Tempered Glass (according to ANSI)	Tempered Glass (according to ANSI)
k. Certified to ANSI/SAE Z26.1, Item 3/4 Glazing Material Standard (specify all applicable Table 1 Tests)	FMVSS 205 (Tests No. 6,7 and 8 of table 1/item 3)	FMVSS 205 (Tests No. 6,7 and 8 of table 1/item 3)	FMVSS 205 (Tests No. 6,7 and 8 of table 1/item 3)	FMVSS 205 (Tests No. 6,7 and 8 of table 1/item 3)	FMVSS 205 (Tests No. 6,7 and 8 of table 1/item 3)	FMVSS 205 (Tests No. 6,7 and 8 of table 1/item 3)
l. Provide any impact test results per ANSI/SAE Z26.1 Test No. 6-14 or per other standards if available	See Exhibit to Request 8l					
m. ANSI/SAE Z26.1 certification marking (i.e. AS1, AS2, etc.) if any	DOT865 M1250 AS3	DOT865 M1250 AS3	DOT682 M5550 AS3	DOT682 M5550 AS3	DOT15 M125 AS3 DOT682 M5550 AS3* *) at SOP same certification marking as Tiguan. During production period change to DOT 15 M125	DOT15 M125 AS3 DOT682 M5550 AS3* *) at SOP same certification marking as Tiguan. During production period change to DOT 15 M125
n. Explain the reasons for selecting the type, thickness and other relevant aspects of the glass used	<p>All Volkswagen vehicles equipped with a panoramic sunroof system comply with applicable safety certification standards. The design dimension of the panoramic sunroof system is the result of extensive testing to ensure that all applicable standards are met.</p> <p>A major consideration is the lower weight of toughened glazing, which has a higher mechanical strength when compared to laminated glazing. A reduced weight roof structure provides for a lower center of gravity, thus improving vehicle driving dynamic and contributes to improved fuel efficiency.</p>					
o. Engineering drawings of the panoramic sunroof system	See Exhibit to Request 8o					
Drawing No. (for glass)	1724732	1724745	516714130	516714230	585714130	585714230
Corresponding service part number (assembly)	7P0 877 055	7P0 877 056 7P0 877 056 A	5N0 877 055 5N0 877 055 B	5N0 877 056 5N0 877 056 B	1K9 877 055	1K9 877 056
Supplier of glass / Supplier of panel	FUYAO / Webasto	FUYAO / Webasto	Pilkington / Inteva	Pilkington / Inteva	Pilkington / Inteva	Pilkington / Inteva