

Date	Group	No.	Page
6.08	432	024	1(4)

Redundant Brake Pedal Micro Switch, Removal VN VHD

SP 432-024, Redundant Brake Pedal Micro Switch, Removal

(June 2008)

Certain Volvo vehicles, built between 06/30/2006 and 04/15/2008 with a Volvo I-Shift transmission will require the removal of the redundant brake pedal micro switch and the installation of new instructional decals on the drivers side sun visor and door. The brake switch was determined to be unnecessary and to some extent a maintenance issue. The new instructional decals provide more specific towing instruction for vehicles equipped with the I-Shift transmission.

Required parts

- 1 – 20913375 Jumper harness
- 1 – 21209122 Decal Visor
- 1 – 21209123 Decal Door

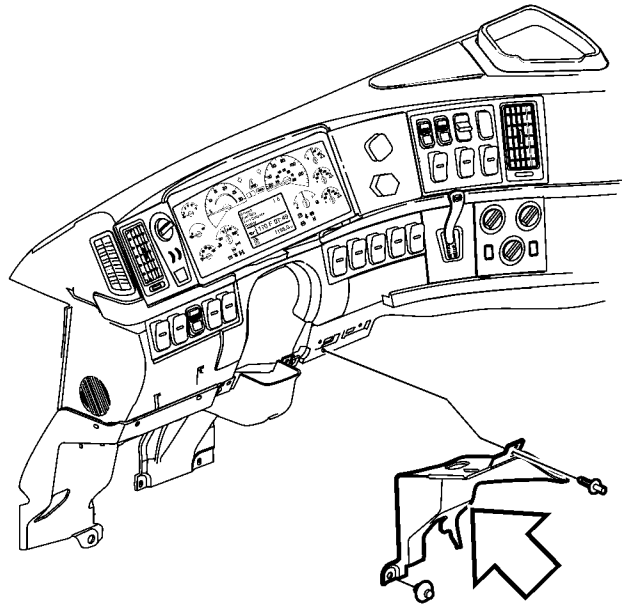
Service personnel: Please circulate, read and initial

Service Manager	Warranty Administrator	Workshop Foreman	Service Technicians						

Method

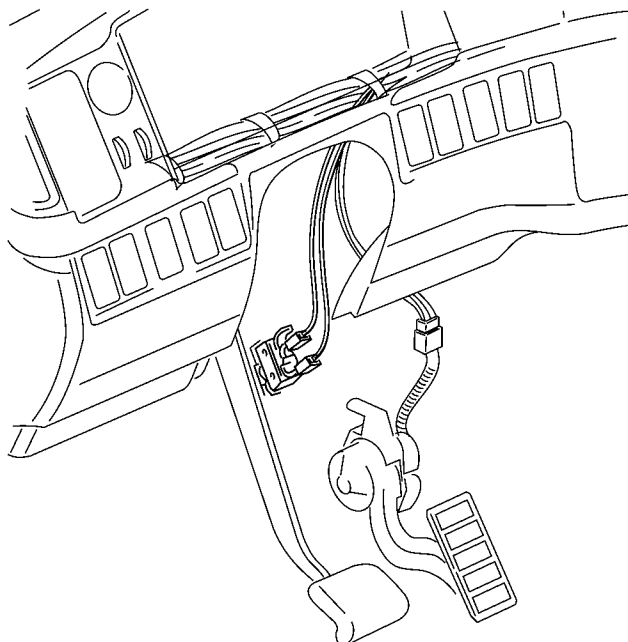
You must read and understand the precautions and guidelines in Service Information, group 30, "General Safety Practices, Electrical and Electronics" before performing this procedure. If you are not properly trained and certified in this procedure, ask your supervisor for training before you perform it.

- 1 Remove the drivers side lower right hand dash panel to gain access to the brake pedal switch.



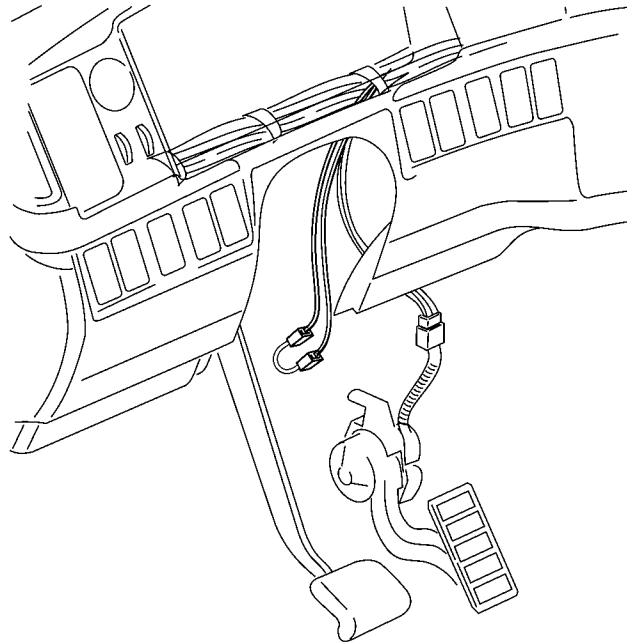
W8003940

- 2 Locate and remove the I-Shift brake pedal micro switch.



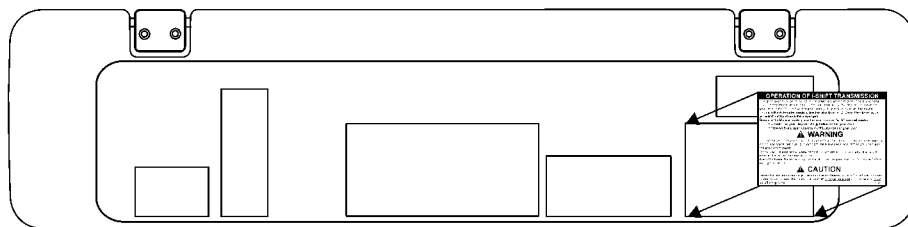
W3007823

- 3 Insert jumper wire (20913375) into the now vacant connector terminals.



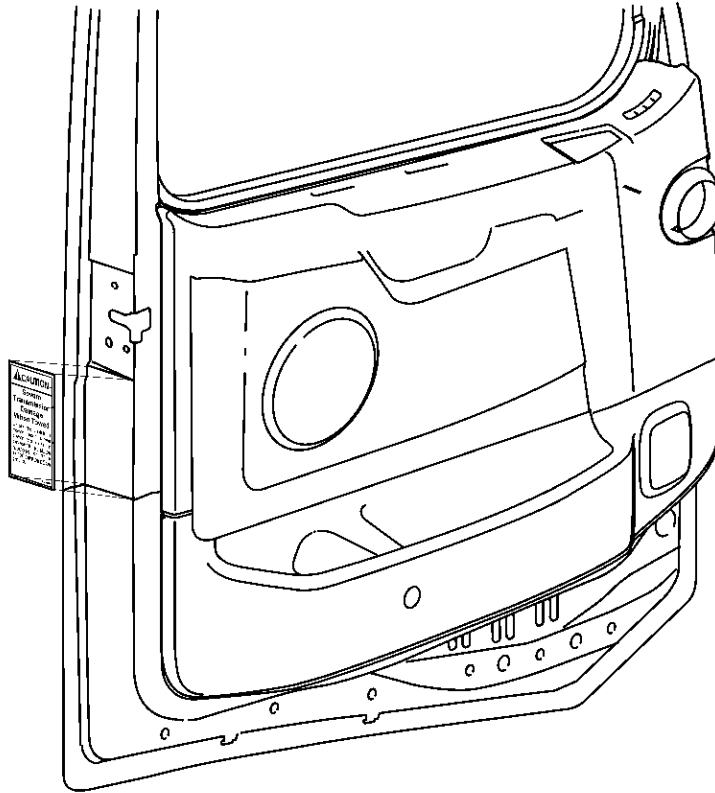
W3007822

- 4 Reinstall the drivers side lower right hand dash panel.
- 5 Lower the drivers side sun visor and install the new I-Shift instruction decal over the existing decal.



W8003941

- 6 Wipe clean the surface of the left hand door frame directly below the latch and install the I-Shift towing warning decal (21209123) as shown in below.



W8003942

Reimbursement

This repair is covered by an authorized Service Program. Reimbursement is obtained via the normal claim handling process.	
Claim Type (used only when uploading from the Dealer Bus. Sys.)	B
Recall Status	
Vehicle inspected, repair not required	1- Inspected OK
Vehicle repaired per instruction	2- Modified per instruction
Labor Code	
Primary Labor Code	43244-0-02 — 0.4 hrs.
Time to perform repair	17003-0-01 — 0.3 hrs.
Causal Part	20913375
Authorization Number	SP432024
Expiration Date	31- Dec -08

Note: Take Charge Time is not included in the Labor Code for this operation. Take charge may be eligible but can only be used once per repair visit. If vehicle is having other warranty repairs performed, take charge should be charged to the warranty repair, otherwise take charge can be charged to this service program.