

PE13-024

HONDA

9/6/2013

Attachment #Q7

Honda Care 49 State Rate
Guide Eff May 15, 2013 (n-a
added to NCNN)



Honda Care Dealer Rate Guide





Honda Care Contact Information

Administered by:
American Honda Finance Corporation
Claims Services and Contract Services
P.O. Box 2225
Torrance, CA 90509-2225
HondaFinancialServices.com

Honda Vehicles

Claims Services and Contract Services
800-999-5901

Roadside Assistance
800-594-7400

Non-Honda Vehicles

Administered by:
Automobile Protection Corporation—APCO
Provided by: Warranty Support Services, LLC
Provided in Louisiana by APCO Louisiana-VMBI, LLC
Provided in Washington and Wisconsin by
Automobile Protection Corporation—APCO

Claims and Contract Services
Automobile Protection Corporation—APCO
P.O. Box 88230
Atlanta, GA 30356
800-661-3279

Roadside Assistance
800-594-7400

Service Payment Plan
800-442-1925

New Honda Vehicles

Coverage for a new Honda vehicle begins when the vehicle is originally put into service and at zero miles.

Eligibility:

- New Honda vehicles must be Model Year 2012 or newer with up to 6,000 miles on odometer (for vehicles with 6,001 miles or more, please refer to the New Coverage for Near New and Used plans on the following pages)

Commercial Use:

- Available. Refer to the example vehicle service contract or the customer's vehicle service contract for details
- Surcharge is \$150

\$100 DEDUCTIBLE Plans Available	5 yrs	5 yrs	6 yrs	6 yrs	6 yrs	7 yrs	7 yrs	7 yrs	8 yrs	8 yrs
	80k mi	100k mi	80k mi	100k mi	120k mi	80k mi	100k mi	120k mi	100k mi	120k mi
PLAN CODE	C58	C50	C68	C60	C62	C78	C70	C72	C80	C82
Fit	455	550	465	615	725	500	655	765	745	860
Civic	485	575	495	645	760	530	700	805	780	905
Civic Hybrid, CR-Z	510	610	535	685	800	560	760	885	855	980
Insight	510	610	535	685	800	560	760	885	855	980
Accord 4-Cyl	490	580	510	650	760	535	730	845	815	935
Crosstour 4-Cyl	480	570	500	635	745	525	715	830	800	915
Accord V-6, Accord PHEV	515	610	545	685	790	595	785	905	880	995
Crosstour V-6	505	600	535	670	775	585	770	885	865	975
CR-V	485	595	510	640	750	560	745	850	830	965
Odyssey	525	645	590	800	910	685	1,005	1,115	1,085	1,190
Pilot, Ridgeline	525	645	590	800	910	685	1,005	1,115	1,085	1,190

\$0 DEDUCTIBLE Plans Available	3 yrs	4 yrs	5 yrs	5 yrs	5 yrs	6 yrs	6 yrs	6 yrs	7 yrs	7 yrs	7 yrs	8 yrs	8 yrs
	45k mi	60k mi	60k mi	80k mi	100k mi	80k mi	100k mi	120k mi	80k mi	100k mi	120k mi	100k mi	120k mi
PLAN CODE	D34	D46	D56	D58	D50	D68	D60	D62	D78	D70	D72	D80	D82
Fit	280	410	420	560	655	570	720	830	605	760	870	850	965
Civic	285	420	430	590	685	600	750	865	640	805	915	885	1,010
Civic Hybrid, CR-Z	310	430	440	615	715	640	790	905	665	865	990	960	1,085
Insight	310	420	440	615	715	640	790	905	665	865	990	960	1,085
Accord 4-Cyl	315	430	450	595	690	615	755	865	645	835	955	925	1,040
Crosstour 4-Cyl	310	420	440	585	675	605	740	850	630	820	935	905	1,020
Accord V-6, Accord PHEV	315	450	470	620	720	655	790	900	705	895	1,010	990	1,100
Crosstour V-6	310	440	460	610	705	640	775	880	690	875	990	970	1,080
CR-V	310	440	460	590	700	615	745	855	665	850	955	935	1,070
Odyssey	310	465	475	630	750	695	905	1,015	790	1,110	1,220	1,190	1,295
Pilot, Ridgeline	310	455	475	630	750	695	905	1,015	790	1,110	1,220	1,190	1,295

Near New Honda Vehicles

Coverage for a near new Honda vehicle begins on date of plan purchase and expires at the end of plan term or stated mileage, whichever comes first.

Eligibility:

- Vehicles up to 12,000 miles on odometer. No surcharge.
- Vehicles with 12,001 miles up to 24,000 miles on odometer. \$50 surcharge.
- Vehicles with 24,001 miles up to 36,000 miles on odometer. \$100 surcharge.
- Vehicles with 36,001 miles up to 42,000 miles on odometer. \$150 surcharge.
(If vehicle has over 36,000 miles, the Near New Honda Care Vehicle Service Contract must be purchased at the time of vehicle purchase.)

Commercial Use:

- Not available

\$100 DEDUCTIBLE Plans Available	3 yrs 80k mi	3 yrs 100k mi	3 yrs 120k mi	4 yrs 80k mi	4 yrs 100k mi	4 yrs 120k mi	5 yrs 80k mi	5 yrs 100k mi	5 yrs 120k mi	6 yrs 80k mi	6 yrs 100k mi	6 yrs 120k mi
MY 2013 and newer	n/a	n/a	n/a	✓	✓	✓	✓	✓	✓	✓	✓	✓
MY 2012	✓	✓	✓	✓	✓	✓	✓	✓	✓	n/a	n/a	n/a
MY 2011	✓	✓	✓	✓	✓	✓	✓	✓	✓	n/a	n/a	n/a
MY 2010	✓	✓	✓	✓	✓	✓	✓	✓	✓	n/a	n/a	n/a
PLAN CODE	F38	F30	F32	F48	F40	F42	F58	F50	F52	F68	F60	F62
Fit	440	610	735	500	680	800	540	720	840	540	710	830
Civic	470	630	765	520	710	840	570	750	870	560	740	860
Civic Hybrid, CR-Z, Insight	540	735	865	590	840	975	630	870	1,005	620	850	975
Accord 4-Cyl, Crosstour 4-Cyl	480	635	765	530	745	875	570	785	915	560	775	895
Accord V-6, Accord PHEV, Crosstour V-6	525	685	820	600	815	955	640	845	985	630	835	965
Element	510	660	785	590	820	940	630	850	970	630	840	950
CR-V	495	650	795	575	785	915	615	815	945	605	805	925
Odyssey	630	900	1,030	750	1,145	1,275	780	1,165	1,285	760	1,125	1,245
Ridgeline, Pilot	595	845	990	715	1,085	1,220	755	1,115	1,240	745	1,095	1,220

\$0 DEDUCTIBLE Plans Available	3 yrs 80k mi	3 yrs 100k mi	3 yrs 120k mi	4 yrs 80k mi	4 yrs 100k mi	4 yrs 120k mi	5 yrs 80k mi	5 yrs 100k mi	5 yrs 120k mi	6 yrs 80k mi	6 yrs 100k mi	6 yrs 120k mi
MY 2013 and newer	n/a	n/a	n/a	✓	✓	✓	✓	✓	✓	✓	✓	✓
MY 2012	✓	✓	✓	✓	✓	✓	✓	✓	✓	n/a	n/a	n/a
MY 2011	✓	✓	✓	✓	✓	✓	✓	✓	✓	n/a	n/a	n/a
MY 2010	✓	✓	✓	✓	✓	✓	✓	✓	✓	n/a	n/a	n/a
PLAN CODE	G38	G30	G32	G48	G40	G42	G58	G50	G52	G68	G60	G62
Fit	540	710	835	600	780	900	640	820	940	640	810	930
Civic,	570	730	865	620	810	940	670	850	970	660	840	960
Civic Hybrid, CR-Z, Insight	640	835	965	690	940	1,075	730	970	1,105	720	950	1,075
Accord 4-Cyl, Crosstour 4-Cyl	580	735	865	630	845	975	670	885	1,015	660	875	995
Accord V-6, Accord PHEV, Crosstour V-6	625	785	920	700	915	1,055	740	945	1,085	730	935	1,065
Element	610	760	885	690	920	1,040	730	950	1,070	730	940	1,050
CR-V	595	750	895	675	885	1,015	715	915	1,045	705	905	1,025
Odyssey	730	1,000	1,130	850	1,245	1,375	880	1,265	1,385	860	1,225	1,345
Ridgeline, Pilot	695	945	1,090	815	1,185	1,320	855	1,215	1,340	845	1,195	1,320

Used Honda Vehicles

Used and Powertrain coverage for a used Honda vehicle begins on the service contract purchase date and at the mileage on the odometer on that date.

Eligibility:

- Used and Powertrain coverage must be purchased at the time of vehicle sale

Commercial Use:

- Not available

USED COVERAGE																
\$100 DEDUCTIBLE Plans Available	12 mos 12k mi						24 mos 24k mi						36 mos 36k mi			48 mos 48k mi
	40k mi	60k mi	80k mi	100k mi	120k mi	120k mi	40k mi	50k mi	60k mi	70k mi	80k mi	100k mi	40k mi	50k mi	60k mi	60k mi
PLAN CODE	U14	U16	U18	U10	U12	U13	U24	U25	U26	U27	U28	U20	U34	U35	U36	U46
MODEL YEAR	2007 and newer					2004 and newer	2007 and newer									
Civic, Fit	380	480	595	705	860	965	480	535	560	645	810	965	695	725	835	895
Accord 4-Cyl, Civic Hybrid, Crosstour 4-Cyl, CR-Z, Insight	390	485	600	705	860	965	485	540	565	650	855	1,015	735	760	885	1,000
Accord V-6, Accord PHEV, Crosstour V-6	440	540	655	760	920	1,025	610	660	690	770	975	1,135	775	805	960	1,110
Accord V-6 Hybrid	460	560	675	780	940	1,045	630	685	710	795	1,000	1,155	800	825	980	1,130
S2000	480	555	740	950	1,215	1,320	735	795	920	1,055	1,335	1,595	975	1,095	1,330	1,330
Element	460	560	670	775	935	1,040	645	685	710	795	1,010	1,165	800	830	985	1,145
CR-V	445	545	660	765	925	1,030	615	665	695	775	980	1,140	780	810	965	1,115
Odyssey, Pilot, Ridgeline	500	595	710	920	1,130	1,235	660	720	745	830	1,030	1,240	835	860	1,060	1,210

POWERTRAIN COVERAGE															
\$100 DEDUCTIBLE Plans Available	12 mos 12k mi					24 mos 24k mi					36 mos 36k mi			48 mos 48k mi	
	60k mi	80k mi	100k mi	120k mi	120k mi	50k mi	60k mi	70k mi	80k mi	100k mi	40k mi	50k mi	60k mi	60k mi	
PLAN CODE	P16	P18	P10	P12	P13	P25	P26	P27	P28	P20	P34	P35	P36	P46	
MODEL YEAR	2007 – 2011				2004 – 2006	2007 – 2011									
Civic, Fit	335	415	495	600	675	375	390	450	565	675	485	510	585	625	
Accord 4-Cyl, Civic Hybrid, Crosstour 4-Cyl, CR-Z, Insight	340	420	495	600	675	380	395	455	600	710	515	530	620	700	
Accord V-6, Accord PHEV, Crosstour V-6	380	460	530	645	720	460	485	540	685	795	545	565	670	775	
Accord V-6 Hybrid	390	475	545	660	730	480	495	555	700	810	560	580	685	790	
S2000	390	520	665	850	925	555	645	740	935	1,115	685	765	930	930	
Element	390	470	545	655	730	480	495	555	705	815	560	580	690	800	
CR-V	325	395	460	555	620	400	415	465	590	685	470	485	580	670	
Odyssey, Pilot, Ridgeline	355	425	550	680	740	430	445	500	620	745	500	515	635	725	

Honda Care Sentinel® Services

Coverage for a Honda vehicle begins when the vehicle is originally put into service and at zero miles.

Eligibility:

- Honda vehicles must have less than 6,000 miles and be less than 6 months from the original registration date

Sentinel Services Benefits:

- Cross Country Motor Club benefits
- Oil changes as indicated by the Maintenance Minder
- Road-hazard tire protection (not available in New York)

Commercial Use:

- Not available

\$0 DEDUCTIBLE Plans Available	24 mos 24k mi	24 mos 30k mi	36 mos 36k mi	39 mos 39k mi	42 mos 42k mi	48 mos 48k mi	48 mos 60k mi	60 mos 60k mi	72 mos 72k mi	72 mos 80k mi
PLAN CODE	S22	S23	S33	S39	S42	S44	S46	S56	S67	S68
All Honda Models	205	225	310	325	335	355	385	405	445	485
In NY	195	210	295	305	315	345	375	395	435	475

Honda Care Sentinel 3/45

Coverage for a Honda vehicle begins when the vehicle is originally put into service and at zero miles.

Eligibility:

- Honda vehicles must have less than 6,000 miles and be less than 6 months from the original registration date

Sentinel 3/45 Benefits:

- The SP3 plan includes the Sentinel benefits plus comprehensive component coverage and rental benefits
- Road-hazard tire protection (not available in New York)
- The SP3 plan cannot be sold in combination with any VSC plans
- The SP3 plan is not available in Washington and Wyoming

Commercial Use:

- Not available

\$0 DEDUCTIBLE Plans Available	36 mos 45k mi
PLAN CODE	SP3
All Honda Models	345
In NY	325

Honda Care® Maintenance™

Coverage for a new Honda vehicle begins when the vehicle is originally put into service and at zero miles.

Eligibility:

- Honda vehicles must have less than 12,000 miles and less than 12 months from the original registration date
- Honda electric vehicles are excluded

Commercial Use:

- Available. Refer to the example contract or the customer's contract for details
- No surcharge

\$0 DEDUCTIBLE Plans Available	2 yrs 24k mi	2 yrs 30k mi	3 yrs 36k mi	3 yrs 45k mi	4 yrs 48k mi	4 yrs 60k mi
PLAN CODE	M22	M23	M33	M34	M44	M46
All Models	350	455	515	700	735	845

Honda Certified Used Cars

Honda Care Certified Additional Coverage (VSC) begins from the original Honda New-Vehicle Limited Warranty in-service date and at zero miles.

Additional Coverage for Honda Vehicles

Eligibility:

- Model Year 2008 and newer Honda vehicles
- Honda vehicle must have less than 80,000 miles on the odometer
- Honda Care Certified Additional Coverage may be sold only at the time of a Honda Certified Used Car purchase
- Honda Care Certified Additional Coverage can *only* be sold on Honda Certified Used Cars

Commercial Use:

- Not available



\$0 DEDUCTIBLE Plans Available	7 yrs 100k mi	8 yrs 100k mi	8 yrs 120k mi
PLAN CODE	H70	H80	H82
Accord 4-Cyl, Civic, Civic Hybrid, Crosstour 4-Cyl, CR-Z, Fit, Insight	535	695	895
Accord V-6, Accord PHEV, Crosstour V-6	535	795	995
S2000	535	1,195	1,390
Element	535	695	895
CR-V, Odyssey, Pilot, Ridgeline	535	795	995

New Acura Vehicles

Coverage for a new Acura vehicle begins when the vehicle is originally put into service and at zero miles.

Eligibility:

- New Acura vehicles must be Model Year 2012 or newer with up to 6,000 miles on odometer (for vehicles with 6,001 miles or more, please refer to the New Coverage for Near New and Pre-Owned plans on the following pages)

Commercial Use:

- Available. Refer to the example vehicle service contract or the client's vehicle service contract for details
- Surcharge is \$150

\$100 DEDUCTIBLE Plans Available	5 yrs 100k mi	6 yrs 100k mi	6 yrs 120k mi	7 yrs 70k mi	7 yrs 100k mi	7 yrs 120k mi	8 yrs 100k mi	8 yrs 120k mi
PLAN CODE	C50	C60	C62	C77	C70	C72	C80	C82
ILX	685	795	1,010	610	895	1,155	1,095	1,360
ILX Hybrid	825	985	1,260	790	1,145	1,405	1,345	1,610
TSX, TSX V-6, TSX Wagon	695	810	1,030	625	915	1,185	1,130	1,400
TL	720	885	1,105	720	940	1,215	1,160	1,430
RL	770	900	1,105	740	965	1,225	1,175	1,465
RLX	820	950	1,155	790	1,015	1,275	1,225	1,515
RDX	750	920	1,140	755	1,295	1,605	1,550	1,810
MDX, ZDX	855	1,045	1,250	900	1,505	1,770	1,710	1,975

\$0 DEDUCTIBLE Plans Available	4 yrs 60k mi	5 yrs 100k mi	6 yrs 70k mi	6 yrs 100k mi	6 yrs 120k mi	7 yrs 70k mi	7 yrs 100k mi	7 yrs 120k mi	8 yrs 100k mi	8 yrs 120k mi
PLAN CODE	D46	D50	D67	D60	D62	D77	D70	D72	D80	D82
ILX	435	785	625	895	1,110	710	995	1,255	1,195	1,460
ILX Hybrid	460	925	755	1,085	1,360	890	1,245	1,505	1,445	1,710
TSX, TSX V-6, TSX Wagon	440	800	635	915	1,135	730	1,020	1,290	1,235	1,505
TL	450	825	700	990	1,210	825	1,045	1,320	1,265	1,535
RL	475	875	745	1,005	1,210	845	1,070	1,330	1,280	1,570
RLX	525	925	795	1,055	1,260	895	1,120	1,380	1,330	1,620
RDX	470	855	760	1,025	1,245	860	1,400	1,710	1,655	1,915
MDX, ZDX	525	960	835	1,150	1,355	1,005	1,610	1,875	1,815	2,080

Near New Acura Vehicles

Coverage for a near new Acura vehicle begins on date of plan purchase and expires at the end of plan term or stated mileage, whichever comes first.

Eligibility:

- Vehicles up to 12,000 miles on odometer. No surcharge.
- Vehicles with 12,001 miles up to 24,000 miles on odometer. \$50 surcharge.
- Vehicles with 24,001 miles up to 36,000 miles on odometer. \$100 surcharge.
- Vehicles with 36,001 miles up to 50,000 miles on odometer. \$150 surcharge.
- Vehicles with 50,001 miles up to 56,000 miles on odometer. \$200 surcharge.
(If vehicle has over 50,000 miles, the Near New Acura Care Vehicle Service Contract must be purchased at the time of vehicle purchase.)

Commercial Use:

- Not available

\$100 DEDUCTIBLE Plans Available	2 yrs 80k mi	2 yrs 100k mi	2 yrs 120k mi	3 yrs 80k mi	3 yrs 100k mi	3 yrs 120k mi	4 yrs 80k mi	4 yrs 100k mi	4 yrs 120k mi	5 yrs 80k mi	5 yrs 100k mi	5 yrs 120k mi	6 yrs 80k mi	6 yrs 100k mi	6 yrs 120k mi
MY 2013 and newer	n/a	n/a	n/a	n/a	n/a	n/a	n/a	n/a	n/a	✓	✓	✓	✓	✓	✓
MY 2012	n/a	n/a	n/a	✓	✓	✓	✓	✓	✓	✓	✓	✓	n/a	n/a	n/a
MY 2011	n/a	n/a	n/a	✓	✓	✓	✓	✓	✓	✓	✓	✓	n/a	n/a	n/a
MY 2010	✓	✓	✓	✓	✓	✓	✓	✓	✓	✓	✓	✓	n/a	n/a	n/a
MY 2009	✓	✓	✓	✓	✓	✓	✓	✓	✓	✓	✓	✓	n/a	n/a	n/a
PLAN CODE	F28	F20	F22	F38	F30	F32	F48	F40	F42	F58	F50	F52	F68	F60	F62
ILX	550	620	715	615	790	1,030	675	960	1,255	715	990	1,270	705	965	1,245
ILX Hybrid	640	765	915	740	995	1,280	895	1,210	1,505	960	1,240	1,520	940	1,215	1,495
TSX, TSX Wagon	555	630	730	625	805	1,050	690	990	1,285	730	1,020	1,305	720	990	1,275
TSX V-6	480	580	680	630	820	1,065	725	1,030	1,310	755	1,050	1,320	745	1,020	1,290
TL	540	640	740	685	890	1,140	800	1,040	1,340	830	1,060	1,350	820	1,030	1,320
RL	430	600	700	715	935	1,170	840	1,110	1,400	870	1,120	1,400	850	1,080	1,360
RLX	480	650	750	765	985	1,220	890	1,160	1,450	920	1,170	1,450	900	1,130	1,410
RDX	695	810	905	750	935	1,180	845	1,410	1,740	875	1,430	1,750	855	1,390	1,710
MDX	785	930	1,035	825	1,075	1,310	990	1,645	1,930	1,030	1,655	1,940	1,010	1,615	1,900
ZDX	710	855	960	800	1,050	1,290	960	1,600	1,895	1,000	1,610	1,905	980	1,570	1,865

\$0 DEDUCTIBLE Plans Available	2 yrs 80k mi	2 yrs 100k mi	2 yrs 120k mi	3 yrs 80k mi	3 yrs 100k mi	3 yrs 120k mi	4 yrs 80k mi	4 yrs 100k mi	4 yrs 120k mi	5 yrs 80k mi	5 yrs 100k mi	5 yrs 120k mi	6 yrs 80k mi	6 yrs 100k mi	6 yrs 120k mi
MY 2013 and newer	n/a	n/a	n/a	n/a	n/a	n/a	n/a	n/a	n/a	✓	✓	✓	✓	✓	✓
MY 2012	n/a	n/a	n/a	✓	✓	✓	✓	✓	✓	✓	✓	✓	n/a	n/a	n/a
MY 2011	n/a	n/a	n/a	✓	✓	✓	✓	✓	✓	✓	✓	✓	n/a	n/a	n/a
MY 2010	✓	✓	✓	✓	✓	✓	✓	✓	✓	✓	✓	✓	n/a	n/a	n/a
MY 2009	✓	✓	✓	✓	✓	✓	✓	✓	✓	✓	✓	✓	n/a	n/a	n/a
PLAN CODE	G28	G20	G22	G38	G30	G32	G48	G40	G42	G58	G50	G52	G68	G60	G62
ILX	650	720	815	715	890	1,130	775	1,060	1,355	815	1,090	1,370	805	1,065	1,345
ILX Hybrid	740	865	1,015	840	1,095	1,380	995	1,310	1,605	1,060	1,340	1,620	1,040	1,315	1,595
TSX, TSX Wagon	655	730	830	725	905	1,150	790	1,090	1,385	830	1,120	1,405	820	1,090	1,375
TSX V-6	580	680	780	730	920	1,165	825	1,130	1,410	855	1,150	1,420	845	1,120	1,390
TL	640	740	840	785	990	1,240	900	1,140	1,440	930	1,160	1,450	920	1,130	1,420
RL	530	700	800	815	1,035	1,270	940	1,210	1,500	970	1,220	1,500	950	1,180	1,460
RLX	580	750	850	865	1,085	1,320	990	1,260	1,550	1,020	1,270	1,550	1,000	1,230	1,510
RDX	795	910	1,005	850	1,035	1,280	945	1,510	1,840	975	1,530	1,850	955	1,490	1,810
MDX	885	1,030	1,135	925	1,175	1,410	1,090	1,745	2,030	1,130	1,755	2,040	1,110	1,715	2,000
ZDX	810	955	1,060	900	1,150	1,390	1,060	1,700	1,995	1,100	1,710	2,005	1,080	1,670	1,965

Pre-Owned Acura Vehicles

Pre-Owned and Powertrain coverage for a pre-owned Acura vehicle begins on the service contract purchase date and at the mileage on the odometer on that date.

Eligibility:

- Pre-Owned and Powertrain coverage must be purchased at the time of vehicle sale

Commercial Use:

- Not available

PRE-OWNED COVERAGE																
\$100 DEDUCTIBLE Plans Available	12 mos 12k mi						24 mos 24k mi						36 mos 36k mi			48 mos 48k mi
	40k mi	60k mi	80k mi	100k mi	120k mi	120k mi	40k mi	50k mi	60k mi	70k mi	80k mi	100k mi	40k mi	50k mi	60k mi	60k mi
PLAN CODE	U14	U16	U18	U10	U12	U13	U24	U25	U26	U27	U28	U20	U34	U35	U36	U46
MODEL YEAR	2007 and newer					2004 and newer	2007 and newer									
RSX						1,030										
ILX	520	615	690	795	945	1,020	645	695	775	825	1,060	1,160	885	930	1,055	1,085
ILX Hybrid	610	735	885	1,040	1,195	1,270	840	915	1,025	1,075	1,310	1,410	1,135	1,180	1,305	1,335
TSX, TSX V-6, TSX Wagon	525	625	705	810	965	1,045	660	710	795	850	1,090	1,195	905	955	1,085	1,120
TL	550	650	735	840	1,000	1,075	685	735	850	940	1,325	1,430	950	1,000	1,185	1,210
RL	590	690	780	940	1,150	1,230	710	770	900	1,000	1,440	1,595	1,005	1,055	1,240	1,280
RLX	640	740	830	990	1,200	1,280	760	820	950	1,050	1,490	1,645	1,055	1,105	1,290	1,330
RDX	620	710	800	965	1,175	1,250	735	800	920	1,025	1,460	1,630	1,025	1,080	1,355	1,525
MDX, ZDX	700	800	915	1,070	1,280	1,360	840	895	1,055	1,115	1,565	1,720	1,175	1,225	1,755	1,785
NSX						2,140										

POWERTRAIN COVERAGE																					
\$100 DEDUCTIBLE Plans Available	12 mos 12k mi						24 mos 24k mi						36 mos 36k mi			48 mos 48k mi					
	60k mi	80k mi	100k mi	120k mi	120k mi	120k mi	50k mi	60k mi	70k mi	80k mi	100k mi	40k mi	50k mi	60k mi	60k mi						
PLAN CODE	P18					P10	P12	P13	P25					P26	P27	P28	P20	P34	P35	P36	P46
MODEL YEAR	2007 – 2010					2004 – 2006	2007 – 2010														
RSX						720							485	520	535	600	675	555	590	680	705
TSX, TSX V-6, TSX Wagon						730							495	555	595	765	835	635	670	760	785
TL						755							515	595	660	930	1,000	665	700	830	845
RL						860							540	630	700	1,010	1,115	705	740	870	895
RLX						910							590	680	750	1,060	1,165	755	790	920	945
RDX						875							560	645	720	1,020	1,140	720	755	950	1,070
MDX, ZDX						950							625	740	780	1,095	1,205	825	860	1,230	1,250

Acura Care® Maintenance™

Coverage for a new Acura vehicle begins when the vehicle is originally put into service and at zero miles.

Eligibility:

- Acura vehicles must have less than 12,000 miles and less than 12 months from the original registration date

Commercial Use:

- Available. Refer to the example contract or the client's contract for details
- No surcharge

\$0 DEDUCTIBLE Plans Available	2 yrs 24k mi	2 yrs 30k mi	3 yrs 36k mi	3 yrs 45k mi	4 yrs 48k mi	4 yrs 60k mi
PLAN CODE	M22	M23	M33	M34	M44	M46
All Models	355	470	530	705	740	850

Non-Honda Vehicles

May 15, 2013



Non-Honda Vehicles

1. Find the vehicle in the following classification tables, New or Pre-Owned.
2. Note the appropriate numeric code.
3. Determine term and find the code in the rate tables (see back page).
4. Be sure to add Extended Eligibility Surcharge, if applicable.

Procedures

Dealer Rate:

Determine the rate based on the term, deductibles selected, the vehicle's class, and mileage restrictions (pre-owned vehicles). A surcharge must be added for extended eligibility.

All Requested Information Must Be Included on the Application.

Eligibility Requirements:

- Vehicles must be listed on the rate guide, with all options (4X4, All-Wheel Drive, Diesel, Turbo/Supercharged, Four-Wheel Steering). IF THE VEHICLE MODEL OPTION COMBINATION IS NOT LISTED, PLEASE CALL 1-800-661-3279 FOR CLASSIFICATION.
- Pre-owned vehicle service contract must be purchased at the time of vehicle sale.
- All pre-owned vehicles must be fully inspected for mechanical fitness and any covered part that is not functioning properly must be repaired or replaced prior to service contract sale. Additionally, all vehicles must have an engine oil and filter change.

Extended Eligibility Vehicles:

- Must be fully inspected for mechanical fitness and any covered part that is not functioning properly must be repaired or replaced prior to service contract sale.
- Must have an engine oil and filter change.

Ineligible Vehicles:

- Vehicles used for commercial or government purposes, which include pick-up and delivery service, company pool use or business travel when the vehicle is used by more than one driver.
- Vehicles used for livery, rental, taxi, limousine or snow plowing.
- Vehicles leased for less than one year.
- Vehicles modified for racing, off-road, fire services, police services or other performance or emergency use.
- All "gray-market" vehicles.
- Vans and trucks with GVW greater than 14,000 lbs.
- Vehicles with the GM HT 4100 engine.
- Conversion vans.

Classifications

AUDI

MODEL	New	Pre-Owned
A3	7	5
A3, AWD	7	5
A3, AWD, Turbo	8	6
A3, Turbo	7	5
A3, Turbo, Diesel	7	5
A4	8	6
A4 Avant, AWD	9	7
A4 Avant, AWD, Turbo	10	8
A4 Cabriolet	8	6
A4 Cabriolet, AWD	9	7
A4 Cabriolet, AWD, Turbo	10	8
A4 Cabriolet, Turbo	10	8
A4, AWD	9	7
A4, AWD, Turbo	10	8
A4, Turbo	10	8
A5	8	6
A5, AWD	8	6
A5, AWD, Turbo	10	8
A5, FWD, Turbo	9	7
A6	8	6
A6 Avant, AWD	9	7
A6, AWD	9	7
A6, Turbo	9	7
A6, AWD, Turbo	10	8
A7, AWD, Turbo	10	8
A8, AWD	11	8
A8, V-6, AWD, Supercharged	11	9
A8, W12	11	9
Allroad Quattro, Turbo	10	7
Cabriolet (1994-1998)	N/A	7
Q5, 4-cyl, AWD, Turbo	9	7
Q5, AWD, V-6	9	7
Q7, V-6	9	7
Q7, V-8	10	8
Q7, Turbo, Diesel	10	8
RS4	10	8
RS5, V-8, AWD	10	8
RS6, AWD, Turbo	10	8
S4, AWD, V-8	11	8
S4 Avant, AWD, Turbo	10	7
S4, AWD, Turbo	10	7
S5, AWD	11	8
S5, AWD, Turbo	11	8
S6, V-8, AWD, Turbo	11	9

S6, V-10	11	9
S6 Avant, AWD, V-8	10	7
S6, AWD, Turbo	N/A	7
S8, AWD, Turbo, V-8	11	9
S8 Quattro, AWD, V-8	11	8
S8, V-10	11	9
TT Coupe/Roadster, AWD, Turbo	10	8
TT Coupe/Roadster, Turbo	9	7
TT Coupe/Roadster, Turbo, AWD, V-6, Non-Turbo	10	8

BMW

Alpina models are not eligible for coverage.

MODEL	New	Pre-Owned
840	N/A	8
1 Series	7	5
1 Series, Turbo	10	8
3 Series	8	6
3 Series, AWD	9	7
3 Series, Turbo	10	8
3 Series, AWD, Turbo	11	9
3 Series, Turbo, Diesel	10	8
5 Series	10	8
5 Series, AWD	11	9
5 Series Turbo	11	9
5 Series, AWD, Turbo	11	9
6 Series	10	8
6 Series, Turbo	11	9
6 Series, Turbo, AWD	11	9
7 Series	10	8
7 Series, Turbo	10	8
7 Series, AWD, Turbo	11	9
7 Series, V-12	11	9
7 Series, V-12, Turbo	11	10
8 Series	N/A	8
850i	N/A	9
M Coupe	10	8
M Roadster	10	8
M-3	10	8
M-5	11	8
M-5, V-8, Turbo	11	8
M-6	11	9
M-6, V-8, Turbo	11	9
M-6, V-10	11	9
X1, Turbo	10	8

Non-Honda Vehicles

May 15, 2013

BMW (continued)

MODEL	New	Pre-Owned
X1, Turbo, AWD	11	9
X3, AWD	9	7
X3, AWD, Turbo	10	8
X5, 6-Cyl, AWD	10	8
X5, 6-Cyl, AWD, Turbo	10	8
X5, 6-Cyl, AWD, Turbo, Diesel	11	9
X5, V-8, AWD	10	8
X5, V-8, AWD, Turbo	11	9
X6, 6-Cyl, AWD, Turbo	10	8
X6, 8-Cyl, AWD, Turbo	11	9
Z3	9	7
Z4 Roadster	9	7
Z4, Turbo	10	8
Z8	11	9

Roadmaster		N/A	6
Skylark		N/A	4
Skylark Grand Sport		N/A	6
Terazza	4	13	5
Terazza, AWD	4	14	6
Verano	4	13	4

CADILLAC

MODEL	New	Pre-Owned
Catera	N/A	8
CTS	10	8
CTS-V	11	9
CTS-V, Supercharged	11	9
Deville	10	8
DTS	10	8
Eldorado	10	8
Escalade ESV	11	9
Escalade EXT	11	9
Escalade, 2WD	10	8
Escalade, AWD	11	9
Fleetwood	N/A	8
Seville	10	8
SRX	10	8
SRX, AWD	11	9
STS	10	8
STS, AWD	11	9
STS-V (Supercharged)	11	9
XLR	9	9
XTS	10	8
XTS, AWD	11	9

CHEVROLET

NEW (A) classifications are only for Chevrolet vehicles with the 5/60 Powertrain Promise Warranty. NEW (B) classifications apply to all other Chevrolet makes and models.

MODEL	New (A)	New (B)	Pre-Owned
Astro Van		16	6
Astro Van, AWD		16	7
Avalanche, 1500/2500		14	6
Avalanche, 1500/2500, 4X4		16	6
Aveo	2	3	3
Beretta		N/A	4
Beretta Z26		N/A	6

Blazer (S10), 4X4, V-6		16	7
Blazer (S10), V-6		7	6
Camaro, V-6		14	7
Camaro SS, V-8		16	8
Camaro (Pre-2010), V-6		N/A	5
Camaro (Pre-2010), V-8		N/A	7
Camaro ZL1, V-8 (Supercharged)		11	9
Caprice Impala SS, V-8		N/A	7
Captiva, 4-Cyl		7	6
Captiva, V-6		16	7
Captiva, V-6, AWD		8	6
Cavalier		4	3
Cavalier Z24		13	6
Cobalt	2	4	3
Cobalt (Supercharged)	3	14	7
Colorado		5	4
Colorado, 4X4		7	5
Corsica		N/A	4
Corvette		16	8
Corvette 427		10	9
Corvette, Z06		10	9
Corvette, Grand Sport		16	8
Corvette, GT1 Championship		16	8
Cruze		4	3
Cruze, Turbo		7	5
Equinox		7	6
Equinox, AWD		16	7
Express 1500 Van		13	5
Express 1500 Van, AWD		14	6
Express 2500 Van		14	6
Express 2500 Van, AWD (Cargo)		15	6
Express 2500 Van, Diesel, Turbo		6	6
Express 3500 Van		15	7
Express 3500 Van, Diesel, Turbo		14	7
G10 Van		N/A	5
G1500 Series Van		N/A	5
G20 Van		N/A	6
G20 Van, Diesel		N/A	7
G2500 Series Van		N/A	6
G2500 Series Van, Diesel, Turbo		N/A	6
G30 Van		N/A	7
G30 Van, Diesel		N/A	7

BUICK

NEW (A) classifications are only for Buick vehicles with the 48/50 Bumper-to-Bumper Warranty. NEW (B) classifications apply to all other Buick makes and models.

MODEL	New (A)	New (B)	Pre-Owned
Century		13	4
Enclave		13	5
Enclave, AWD		14	6
Lacrosse	4	13	4
Lacrosse, AWD	4	14	6
Lacrosse (Supercharged)	7	16	7
LeSabre		13	5
LeSabre Limited		16	6
Lucerne, V-6	4	14	6
Lucerne, V-8	7	16	7
Park Avenue		16	6
Park Avenue/Ultra (Supercharged)		16	7
Rainier	4	14	6
Rainier, AWD	7	16	6
2011 & Newer Regal	4	13	4
2011 & Newer Regal, Turbo	5	14	5
Regal		13	5
Regal Grand Sport (Supercharged)		14	6
Regal Limited		N/A	6
Regal LS		13	5
Rendezvous	4	14	6
Rendezvous, 4X4	7	16	7
Riviera		N/A	7

Non-Honda Vehicles

May 15, 2013



CHEVROLET (continued)

MODEL	New (A)	New (B)	Pre-Owned
G3500 Series Van		N/A	7
G3500 Series Van, Diesel, Turbo		N/A	7
HHR		4	3
HHR SS		14	7
Impala, V-6		13	5
Impala SS (Supercharged)		14	6
Impala SS, V-8		15	7
Lumina		12	5
Lumina LTZ		N/A	6
Malibu		13	5
Malibu SS		8	6
Metro		3	3
Monte Carlo		13	5
Monte Carlo SS		14	6
Monte Carlo Z34		N/A	6
Prizm		3	3
S-10 Pickup		5	4
S-10 Pickup, 4X4		7	5
Silverado, 1500 Series Pickup		5	4
Silverado, 1500 Truck, 4X4		15	6
Silverado, 1500 Truck, 4X4, Diesel		N/A	6
Silverado, 1500 Truck, 4X4, Diesel, Turbo		13	6
Silverado, 1500 Truck, Diesel		N/A	4
Silverado, 1500 Truck, Diesel, Turbo		5	5
Silverado, 2500 Series Pickup		13	6
Silverado, 2500 Truck, 4X4		16	6
Silverado, 2500 Truck, 4X4, Diesel		N/A	6
Silverado, 2500 Truck, 4X4, Diesel, Turbo		15	7
Silverado, 2500 Truck, Diesel		N/A	6
Silverado, 2500 Truck, Diesel, Turbo		13	6
Silverado, 3500 Series Pickup		15	7
Silverado, 3500 Truck, 4X4		9	8
Silverado, 3500 Truck, 4X4, Diesel, Turbo		9	9
Silverado, 3500 Truck, Diesel, Turbo		15	8
Sonic		3	3
Sonic, Turbo		4	3

Spark (Gasoline)	3	3
SS-R	15	7
Suburban	15	6
Suburban, 4X4	9	7
Suburban, 4X4, Diesel, Turbo	15	7
Suburban, Diesel, Turbo	15	7
Tahoe	14	6
Tahoe, 4X4	16	6
Tahoe, 4X4, Diesel	8	6
Tahoe, 4X4, Diesel, Turbo	15	7
Tahoe, Diesel	6	6
Tahoe, Diesel, Turbo	13	7
Tracker	3	3
Tracker, 4X4	4	4
TrailBlazer	14	6
TrailBlazer, 4X4	16	6
TrailBlazer SS	9	7
TrailBlazer SS, 4X4	10	8
Traverse	13	5
Traverse, AWD	14	6
Uplander	13	5
Uplander, AWD	14	6
Venture	13	5
Venture, AWD	13	5
Volt	13	5

CHRYSLER

NEW (A) classifications are only for Chrysler vehicles with the lifetime powertrain warranty, or 5/100 powertrain warranty. 2002-2009 models must have less than 10,000 miles at time of sale. This does not apply to 2010 models with the 5/100 powertrain warranty. NEW (B) classifications apply to all other makes and models. EXCEPTIONS: 1) If proof of transfer to second owner for 7/70 powertrain warranty is provided, the NEW (A) classifications will apply, or 2) if proof that the customer is the original owner of a vehicle with the Chrysler lifetime powertrain warranty or 7/70 powertrain is provided, then the NEW (A) classification will apply. 3) 2006-2009 SRT models are not eligible for NEW (A) classifications.

MODEL	New (A)	New (B)	Pre-Owned
200, 4-Cyl	3	14	4
200, V6	4	15	5
300	3	15	6
300, AWD	4	16	7
300 C	4	16	7
300 C SRT-8	5	16	8
300 C, AWD	5	16	8

300 M	3	15	6
Aspen	3	14	6
Aspen, 4X4	4	16	7
Cirrus	3	15	5
Concorde	4	16	7
Crossfire	8	10	8
Crossfire SRT-6		11	9
LHS	8	10	7
New Yorker		N/A	7
Pacifica	3	15	6
Pacifica, 4WD	4	16	7
Prowler	3	15	7
PT Cruiser	3	13	5
PT Cruiser GT, Turbo (Supercharged)	3	14	6
Sebring	3	14	4
Sebring, AWD	4	15	5
Town & Country Van	4	16	7
Town & Country Van, AWD	4	8	7
Voyager	3	14	6
Voyager, AWD		N/A	6
Voyager, Grand	4	16	7
Voyager, Grand, AWD		N/A	7

DAEWOO

MODEL	New	Pre-Owned
Lanos	N/A	5
Leganza	N/A	3
Nubira	N/A	6

DODGE

NEW (A) classifications are only for Dodge vehicles with the lifetime powertrain warranty, or 5/100 powertrain warranty. 2002-2009 models must have less than 10,000 miles at time of sale. This does not apply to 2010 models with the 5/100 powertrain warranty. NEW (B) classifications apply to all other makes and models. EXCEPTIONS: 1) If proof of transfer to second owner for 7/70 powertrain warranty is provided, the NEW (A) classifications will apply, or 2) if proof that the customer is the original owner of a vehicle with the Chrysler lifetime powertrain warranty or 7/70 powertrain is provided, then the NEW (A) classification will apply. 3) 2006-2009 SRT models are not eligible for NEW (A) classifications.

MODEL	New (A)	New (B)	Pre-Owned
Avenger		N/A	4
Avenger, 4-Door	3	14	4
Avenger, AWD	4	8	5

Non-Honda Vehicles

May 15, 2013

DODGE (continued)

MODEL	New (A)	New (B)	Pre-Owned
Avenger Express	4	14	5
Avenger Heat	5	15	6
B150 Vans		N/A	5
B250 Vans		N/A	6
B350 Vans		N/A	7
Caliber	3	14	6
Caliber Express	3	14	6
Caliber Heat	3	14	6
Caliber Mainstreet	3	14	6
Caliber Rush	3	15	13
Caliber Uptown	3	15	13
Caliber RT	3	15	7
Caliber RT, AWD	5	9	8
Caravan	3	14	6
Caravan, AWD		N/A	6
Caravan, Grand	4	16	7
Caravan, Grand, AWD	4	8	7
Challenger SRT-8	5	9	9
Challenger RT	5	9	9
Challenger SE	4	16	7
Charger Rallye	4	16	7
Charger Rallye, AWD	5	9	8
Charger RT/SRT-8	5	9	9
Charger RT, AWD	8	10	9
Charger/Charger SXT	4	16	7
Charger SXT, AWD	5	9	8
Dakota	2	3	3
Dakota Sport	2	3	3
Dakota Sport, 4WD	3	4	5
Dakota, 4X4	2	4	4
Dart	N/A	14	4
Dart, Turbo	N/A	15	5
Durango	3	14	6
Durango, 4X4	4	16	7
Intrepid	3	15	6
Journey	3	14	6
Journey, AWD	5	9	7
Journey Crew	4	15	13
Journey Crew, AWD	5	9	7
Journey Express	3	14	6
Journey Express, AWD	5	9	7
Journey Hero	4	15	13
Journey Hero, AWD	5	9	7
Journey Heat	4	15	13

Journey Heat, AWD	5	9	7
Journey Uptown	5	8	7
Journey Uptown, AWD	5	9	7
Journey RT/SXT	3	15	7
Journey RT/SXT, AWD	5	9	8
Magnum SE/SXT	4	16	7
Magnum SXT, AWD	5	9	8
Magnum RT	5	9	9
Magnum RT, AWD	6	10	9
Magnum, SRT-8	5	9	9
Neon	3	14	4
Neon SRT-4, Turbo	3	14	6
Nitro	3	13	5
Nitro Detonator	3	15	13
Nitro Detonator, AWD	5	9	7
Nitro Heat	3	13	5
Nitro Heat, AWD	3	14	6
Nitro Shock	3	15	13
Nitro Shock, AWD	5	9	7
Nitro RT	3	15	7
Nitro RT, 4X4	5	9	8
Ram 1500 Cargo Van	3	13	5
Ram 1500 Passenger Wagon	3	13	5
Ram 1500 Pickup	2	3	3
Ram 1500 Pickup, 4X4	2	4	4
Ram 2500 Cargo Van	3	14	6
Ram 2500 Passenger Wagon	3	14	6
Ram 2500 Pickup	3	14	6
Ram 2500 Pickup, 4X4	4	16	6
Ram 2500 Pickup, 4X4, Diesel, Turbo	5	15	7
Ram 2500 Pickup, 4X4, V-10	10	11	9
Ram 2500 Pickup, Diesel, Turbo	4	8	7
Ram 2500 Pickup, V-10	8	10	8
Ram 3500 Cargo Van	3	15	7
Ram 3500 Passenger Wagon	3	15	7
Ram 3500 Pickup	3	15	7
Ram 3500 Pickup, 4X4	5	9	8
Ram 3500 Pickup, 4X4, Diesel, Turbo	5	9	9
Ram 3500 Pickup, 4X4, V-10	10	11	9
Ram 3500 Pickup, Diesel, Turbo	5	15	8
Ram 3500 Pickup, V-10	8	10	8
Ram SRT-10	8	10	8

Sprinter		8	7
Sprinter, Turbo, Diesel	3	14	6
Stealth		N/A	7
Stealth, AWD, Turbo		N/A	9
Stealth, Turbo		N/A	8
Stratus	3	15	5
Viper	8	10	8

FIAT

MODEL	New	Pre-Owned
500	4	6

FORD

NEW (A) classifications are only for Ford Focus vehicles with 5/100 powertrain warranty (FLORIDA ONLY - vehicles with less than 10,000 miles at the time of sale). NEW (B) classifications apply to all other Ford makes and models, including the 2008 Ford Focus.

MODEL	New (A)	New (B)	Pre-Owned
Aerostar, AWD		N/A	6
Aerostar, Van/Wagon		N/A	5
Aspire		N/A	3
Bronco, 4X4		N/A	6
Bronco, V-8		N/A	6
Club Wagon		N/A	5
Club Wagon, Diesel		N/A	5
Club Wagon, Diesel, Turbo		N/A	7
Contour		4	4
Contour SVT		12	5
C-Max, Hybrid		13	6
Crown Victoria		14	5
E150 Van/Wagon		13	5
E250 Van/Wagon		14	6
E350 Van/Wagon		15	7
E350 Van, Diesel		N/A	7
E350 Van, Diesel, Turbo		15	8
Edge		6	6
Edge, AWD		7	7
Edge, Turbo		7	7
Escape		5	5
Escape, 4X4		7	6
Escape, Turbo		7	6
Escape, 4x4, Turbo		7	6

Non-Honda Vehicles

May 15, 2013

FORD (continued)

MODEL	New (A)	New (B)	Pre-Owned
Escort		4	3
Escort GT		N/A	4
Escort ZX2		13	4
Excursion		15	7
Excursion, 4X4		9	8
Excursion, 4X4, Diesel, Turbo		9	9
Excursion, Diesel, Turbo		15	8
Excursion, V-10		15	7
Excursion, V-10, 4WD		9	8
Expedition		14	6
Expedition, 4X4		16	6
Explorer		5	5
Explorer, 4X4		7	6
Explorer, FWD, Turbo		5	5
Explorer Sport Trac		5	5
Explorer Sport Trac, 4X4		7	6
F150 Pickup		5	4
F150 Pickup, 4X4		7	5
F150 Pickup, 4X4, Diesel, Turbo		N/A	7
F150 Pickup Supercrew Harley (Supercharged)		15	7
F150, Raptor SVT, 4WD		7	5
F150 SVT Lightning, Turbo (Supercharged)		15	7
F250 Pickup		13	6
F250 Pickup, Diesel		N/A	6
F250 Pickup, 4X4		15	6
F250 Pickup, 4X4, Diesel, Turbo		15	7
F250 Pickup, Diesel, Turbo		13	6
F250 Pickup, V-10		16	8
F250 Pickup, V-10, 4X4		10	9
F350 Pickup		15	7
F350 Pickup, Diesel		N/A	7
F350 Pickup, 4X4		9	8
F350 Pickup, 4X4, Diesel		N/A	8
F350 Pickup, 4X4, Diesel, Turbo		9	9
F350 Pickup, 4X4, V-10		10	9
F350 Pickup, Diesel, Turbo		15	8
F350 Pickup, V-10		16	8
F450 Pickup, All Models		11	9
Fiesta		4	3
Five Hundred		6	6
Five Hundred, AWD		7	7

Flex		13	7
Flex, AWD		7	8
Flex, AWD, Turbo		14	9
Focus	3	4	3
Focus, SVT	4	13	4
Focus, Turbo		13	4
Freestar		8	6
Freestyle		6	6
Freestyle, AWD		7	7
Fusion, 4-Cyl		5	5
Fusion, V-6		6	6
Fusion, V-6, AWD		7	7
Fusion, Turbo		6	6
Fusion, AWD, Turbo		6	6
GT500		16	8
Mustang Rousch/Saleen		N/A	N/A
Mustang		13	5
Mustang, Boss		14	7
Mustang Cobra		14	7
Mustang Cobra, SVT, Turbo		15	7
Mustang GT		14	7
Mustang Mach 1		14	7
Probe		N/A	5
Ranger		4	4
Ranger, 4X4		6	5
Taurus (Pre-2010)		14	5
Taurus SHO		9	7
Taurus		6	6
Taurus, AWD		7	7
Taurus, Turbo (4-Cyl, non-SHO)		9	7
Taurus X		6	6
Taurus X, AWD		7	7
Transit Connect		7	6
Windstar		8	6
ZX2		13	4

GEO

MODEL	New	Pre-Owned
Metro	N/A	3
Prizm	N/A	3
Tracker	N/A	3
Tracker, 4X4	N/A	4

GMC

MODEL	New	Pre-Owned
Acadia	13	5
Acadia, AWD	14	6
Canyon Pickup	5	4
Canyon Pickup, AWD	7	5
Envoy	14	6
Envoy, 4X4	16	6
Envoy XL	14	6
Envoy XL, 4X4	16	6
Jimmy (S-15), 4X4, V-6	16	7
Jimmy (S-15), V-6	7	6
Rally Wagon 1500	N/A	5
Rally Wagon, 2500/G2500	N/A	6
Rally Wagon, 2500/G2500, Diesel	N/A	6
Rally Wagon, 3500/G3500	N/A	7
Rally Wagon, 3500/G3500, Diesel	N/A	7
Safari	16	6
Safari, AWD	16	7
Savana, 1500 Van	13	5
Savana, 1500 Passenger Van, 4WD	14	6
Savana, 2500 Van	14	6
Savana, 2500 Van, AWD (Cargo)	15	6
Savana, 2500 Van, Diesel, Turbo	13	6
Savana, 3500 Van	15	7
Savana, 3500 Van, Diesel, Turbo	14	7
Sierra, 1500 Pickup	5	4
Sierra, 1500 Pickup, Diesel	N/A	4
Sierra, 1500 Pickup, 4X4	15	6
Sierra, 1500 Pickup, 4X4, Diesel	N/A	6
Sierra, 1500 Pickup, 4X4, Diesel, Turbo	13	6
Sierra, 2500 Pickup	13	6
Sierra, 2500 Pickup, Diesel	N/A	6
Sierra, 2500 Pickup, 4X4	16	6
Sierra, 2500 Pickup, 4X4, Diesel	N/A	6
Sierra, 2500 Pickup, 4X4, Diesel, Turbo	15	7
Sierra, 2500 Pickup, Diesel, Turbo	13	6
Sierra, 2500, Denali, 4WD, Diesel, Turbo	15	7
Sierra, 3500 Pickup	15	7
Sierra, 3500 Pickup, Diesel	N/A	7
Sierra, 3500 Pickup, 4X4	9	8
Sierra, 3500 Pickup, 4X4, Diesel	N/A	8

Non-Honda Vehicles

May 15, 2013

GMC (continued)

MODEL	New	Pre-Owned
Sierra, 3500 Pickup, 4X4, Diesel, Turbo	9	9
Sierra, 3500 Pickup, Diesel, Turbo	15	8
Sierra/Denali	15	6
Sierra/Denali, AWD	16	7
Sonoma	5	4
Sonoma, 4X4	7	5
Suburban	15	6
Suburban, 4X4	9	7
Suburban, 4X4, Diesel, Turbo	15	7
Suburban, Diesel, Turbo	15	7
Terrain	7	6
Terrain, AWD	16	7
Vandura, G1500 (Cargo) Van	N/A	5
Vandura, G2500 (Cargo) Van	N/A	6
Vandura, G2500 (Cargo) Van, Diesel	N/A	7
Yukon	15	6
Yukon XL	15	6
Yukon XL, 1500	15	6
Yukon XL, 1500, 4X4	16	7
Yukon XL, 2500	15	6
Yukon XL, 2500, 4X4	16	7
Yukon XL, Denali, AWD	16	7
Yukon, 4X4	16	7
Yukon, 4X4, Diesel	N/A	7
Yukon, 4X4, Diesel, Turbo	N/A	7
Yukon, Denali, AWD	16	7

HUMMER

MODEL	New	Pre-Owned
H2	10	8
H3	15	6

HYUNDAI

NEW (A) classifications are only for Hyundai vehicles with less than 10,000 miles at the time of sale.

NEW (B) classifications apply to all other Hyundai makes and models.

MODEL	New (A)	New (B)	Pre-Owned
Accent	1	3	3
Azera	2	6	6
Elantra	1	3	4
Entourage	2	6	6
Equus	6	15	8

Genesis V-6	2	6	6
Genesis V-8	3	13	7
Genesis Coupe	2	6	6
Genesis Coupe, Turbo	3	13	7
Santa Fe	1	3	3
Santa Fe, 4X4	2	6	4
Santa Fe, Turbo	2	4	4
Santa Fe, 4x4, Turbo	3	13	5
Sonata	1	3	4
Sonata, Turbo	2	4	5
Tiburon	1	3	4
Tucson	1	3	3
Tucson, 4WD	2	6	4
Veloster	1	3	4
Veloster, Turbo	2	4	5
Veracruz	2	5	5
Veracruz, AWD	2	5	5
XG300	2	6	6
XG350	2	6	6

INFINITI

MODEL	New	Pre-Owned
EX35, 2WD	4	6
EX35, AWD	5	7
EX37, RWD	4	6
EX37, AWD	5	7
FX35, 2WD	3	3
FX35, AWD	4	4
FX37, RWD	3	3
FX37, AWD	4	4
FX45, AWD	9	7
FX50, AWD	9	7
G20	4	5
G25 RWD	3	4
G25 AWD	4	5
G35	4	6
G35, AWD	5	7
G37	4	6
G37, AWD	5	7
I30	4	6
I35	4	6
J30	N/A	6
JX35, FWD	4	5
JX35, AWD	5	6
M35	6	7
M35, AWD	7	8

M37, RWD	6	13
M37, AWD	7	7
M45	10	8
M45, AWD	11	9
M56, RWD	10	7
M56, AWD	11	14
Q45, Sedan	9	7
QX4	4	6
QX4, 4X4	5	6
QX56	8	7
QX56, AWD	9	8

ISUZU

NEW (A) classifications are only for Isuzu vehicles with less than 10,000 miles at the time of sale.

NEW (B) classifications apply to all other Isuzu makes and models.

MODEL	New (A)	New (B)	Pre-Owned
Amigo	1	3	2
Amigo, 4X4	2	6	3
Ascender	3	7	6
Ascender, AWD	4	8	7
Axiom	1	3	1
Axiom, 4WD	1	3	1
Hombre	3	6	2
i280/i290	2	5	4
i350, 4X4/i370, 4X4	3	7	5
Oasis		N/A	4
Rodeo	1	3	3
Rodeo, 4X4	2	6	4
Trooper	2	4	3
Trooper, 4X4	3	6	4
Vehicross, 4X4	3	7	5

JAGUAR

MODEL	New	Pre-Owned
S-Type	9	7
S-Type R (Supercharged)	10	8
XF	9	7
XF (Supercharged)	10	8
XF-R (Supercharged)	10	7
2011 & Newer XJ	9	13
2011 & Newer XJ (Supercharged)	10	7
XJ, Supersport (Supercharged)	11	14
XJ6	N/A	9

Non-Honda Vehicles

May 15, 2013

JAGUAR (continued)

MODEL	New (A)	New (B)	Pre-Owned
XJ8/Vanden Plas	11	9	
XJ8/Vanden Plas (Supercharged)	11	9	
XJ12	N/A	9	
XJL	9	13	
XJL (Supercharged)	10	7	
XJL, Supersport (Supercharged)	11	14	
XJR-S	N/A	9	
XJS	N/A	9	
XK8	11	9	
XKR (Supercharged)	11	9	
X-Type, AWD	9	7	
X-Type R (Supercharged)	10	8	

JEEP

New (A) classifications are only for Jeep vehicles with the lifetime powertrain warranty, or 5/100 powertrain warranty. 2002-2009 models must have less than 10,000 miles at time of sale. This does not apply to 2010 models with the 5/100 powertrain warranty. NEW (B) classifications apply to all other makes and models. EXCEPTIONS: 1) If proof of transfer to second owner for 7/70 powertrain warranty is provided, the NEW (A) classifications will apply, or 2) if proof that the customer is the original owner of a vehicle with the Chrysler lifetime powertrain warranty or 7/70 powertrain is provided, then the NEW (A) classification will apply. 3) 2006-2009 SRT models are not eligible for NEW (A) classifications.

MODEL	New (A)	New (B)	Pre-Owned
Cherokee	2	3	5
Cherokee Ltd/B'RWd	3	5	6
Cherokee Ltd/B'RWd, 4X4	3	7	6
Cherokee, 4X4	2	4	6
Commander	3	14	6
Commander, AWD	4	16	6
Compass	2	3	5
Compass, 4X4	2	4	6
Grand Cherokee	3	14	6
Grand Cherokee, 4X4	4	16	6
Grand Cherokee Ltd	3	15	6
Grand Cherokee Ltd, 4X4	5	16	6
Grand Cherokee SRT-8		9	8
Liberty	2	3	5
Liberty, 4X4	2	4	6
Overland	3	15	6
Overland, 4X4	5	16	6
Patriot	2	3	5
Patriot, 4X4	2	4	6
Wrangler, 4X2	2	3	4
Wrangler, 4WD	2	4	4

KIA

NEW (A) classifications are only for Kia vehicles with less than 10,000 miles at time of sale. NEW (B) classifications apply to all other Kia makes and models.

MODEL	New (A)	New (B)	Pre-Owned
Amanti	3	7	7
Borrego V-6	3	13	5
Borrego V-6, AWD	4	7	6
Borrego V-8	4	7	6
Borrego V-8, AWD	5	14	7
Forte	1	3	3
Optima	2	6	6
Optima, Turbo	3	13	13
Rio	1	3	2
Rio Cinco	1	3	2
Rondo	1	3	3
Rondo, V-6	2	5	5
Sedona	2	6	6
Sephia	1	3	3
Sorento	1	3	3
Sorento, 4WD	2	6	4
Soul	1	3	3
Spectra	1	3	3
Sportage	1	3	3
Sportage, 4X4	1	3	3
Sportage, Turbo	2	4	4
Sportage, AWD, Turbo	3	5	5

LAND ROVER

MODEL	New	Pre-Owned
Defender, 4X4	N/A	7
Discovery, 4X4	11	8
Freelander, 4X4	11	8
LR2, 4X4	7	6
LR3, 4X4	11	8
LR4, 4X4	11	9
Range Rover, 4X4	11	9
Range Rover Evoque, 4x4, Turbo	7	6
Range Rover, Sport, 4X4	11	9

LEXUS

LF-A models are not eligible for coverage.

MODEL	New	Pre-Owned
CT 200h	1	1
ES 300	5	5
ES 330	5	5

ES 350	5	5
GS 300	5	5
GS 300, AWD	6	6
GS 350	6	6
GS 350, AWD	7	7
GS 400	6	6
GS 430	6	6
GS 450h/460	6	6
GX 460, AWD	8	7
GX 470, 4WD	8	7
HS 250h	5	5
IS 250	5	5
IS 250, AWD	6	6
IS 300/Sportcross	5	5
IS 350	6	6
IS 350, AWD	13	13
IS F	8	7
LS 400	6	6
LS 430	6	6
LS 460	6	6
LS 600h	11	9
LX 450, AWD	N/A	7
LX 460	6	6
LX 470, AWD	8	7
LX 570	8	7
LX 570, AWD	8	7
RX 300	5	5
RX 300, 4X4	7	6
RX 330	5	5
RX 330, AWD	7	6
RX 350	5	5
RX 350, AWD	7	6
RX 400h, AWD	7	6
RX 450h	6	5
RX 450h, AWD	7	6
SC 300	5	5
SC 400	6	6
SC 430	6	6

LINCOLN

MODEL	New	Pre-Owned
Aviator	6	6
Aviator, AWD	8	7
Blackwood	16	7
Continental	9	7
LS	14	6

Non-Honda Vehicles

May 15, 2013

LINCOLN (continued)

MODEL	New	Pre-Owned
Mark LT	6	6
Mark LT, AWD	8	7
Mark VIII	N/A	6
MKS	6	6
MKS, AWD	7	7
MKS, AWD, Turbo	9	7
MKT	6	6
MKT, AWD	7	7
MKT, Turbo	9	7
MKT, AWD, Turbo	9	7
MKX	6	6
MKX, AWD	7	7
MKZ	6	6
MKZ, AWD	7	7
Navigator	14	6
Navigator, 4X4	16	7
Town Car	14	6
Zephyr, V-6	6	6

MAZDA

MODEL	New	Pre-Owned
626	4	5
CX-5	1	2
CX-5, AWD	1	2
CX-7	3	3
CX-7, AWD	3	3
CX-9	5	5
CX-9, AWD	6	6
Mazda2	1	1
Mazda3	1	1
Mazda5	1	2
Mazda6, 4-Cyl	1	2
Mazda6, 6-Cyl	3	3
MazdaSpeed Mazda3	3	3
MazdaSpeed Mazda6	4	4
MazdaSpeed Protegé, Turbo	3	3
MazdaSpeed, Turbo (MX-5)	3	3
Millenia	7	7
Millenia (Supercharged)	8	7
MPV	3	3
MPV, AWD	N/A	4
MX-5 Miata	2	2
MX-6	N/A	5
Pickup (B2300)	2	3

Pickup (B2500)	2	3
Pickup (B3000)	2	3
Pickup (B4000)	2	3
Pickup, 4X4 (B2300/B2600)	N/A	4
Pickup, 4X4 (B3000/B4000)	3	4
Protegé	1	1
Protegé 5	1	1
RX-8	9	8
Tribute	3	3
Tribute, 4X4	6	5

MERCEDES-BENZ

SLS AMG models are not eligible for coverage.

MODEL	New	Pre-Owned
All AMG Models	11	9
C Class 220	N/A	7
C Class 230	9	7
C Class 230 (Supercharged)	10	8
C Class 240	9	7
C Class 250, Turbo	9	7
C Class 280	9	7
C Class 300	9	7
C Class 320	9	7
C Class 350	9	7
C Class 36	N/A	8
C Class 43	10	8
C Class 250, Turbo	9	7
CL Class 500	11	8
CL Class 600	11	9
CLK Class 320	9	7
CLK Class 350	9	7
CLK Class 430	10	8
CLK Class 500	11	8
CLS Class 500	11	8
CLS Class 550	11	8
E Class 55 (1999)	N/A	8
E Class 300, AWD	10	8
E Class 300 D, Diesel	N/A	7
E Class 300 TD, Diesel, Turbo	10	8
E Class 320/350	9	7
E Class 320, AWD	10	8
E Class 350, Diesel, Turbo	9	7
E Class 420	N/A	8
E Class 430	10	8
E Class 430, AWD	11	9
E Class 500	11	8

E Class 550/550, AWD	11	8
E Class 550, Turbo	11	6
E Class 550, AWD, Turbo	11	6
G Class (All Models)	11	9
GLK350	16	6
GLK350, AWD	9	7
ML Class 320, AWD	9	7
ML Class 320/350 CDI, Turbodiesel, AWD	10	8
ML Class 350	9	7
ML Class 350, AWD	9	7
ML Class 430, 4WD	11	9
ML Class 450 Hybrid	11	9
ML Class 500, 4WD	11	9
ML Class 550	11	9
R Class 320 CDI, Turbodiesel, AWD	11	9
R Class 350	9	7
R Class 350, Turbo, Diesel, AWD	11	9
R Class 500	11	9
S Class (All Models)	11	9
SL Class (All Models)	11	9
SLK Class 230 (Supercharged)	10	8
SLK250, Turbo	10	8
SLK Class 280	9	7
SLK Class 320	9	7
SLK Class 350	9	7
Sprinter	8	7
Sprinter Turbo, Diesel	14	6

MERCURY

Use "Sable 2008" classification for Models 2008 and newer. 2007 and older models use the old classifications for Sable vehicles.

MODEL	New	Pre-Owned
Cougar, 4-Cyl	13	5
Cougar, V-6	13	5
Grand Marquis	14	5
Marauder	15	6
Mariner	5	5
Mariner, AWD	7	6
Milan, 4-Cyl	5	5
Milan, V-6	6	6
Milan, V-6, AWD	7	7
Montego	6	6
Montego, AWD	7	7

Non-Honda Vehicles

May 15, 2013



MERCURY (continued)

Monterey	8	6
Mountaineer	5	5
Mountaineer, 4X4	7	6
Mystique	4	4
Sable (Pre-2010)	14	5
Sable	6	6
Sable, AWD	7	7
Tracer	N/A	3
Tracer LTS	N/A	4
Villager	13	5

Montero, 4X4	2	3	5
Montero Sport	1	2	4
Montero Sport, 4X4	2	3	5
Outlander	2	3	2
Outlander, AWD	2	4	2
Pickup		N/A	4
Pickup, 4X4		N/A	5
Raider, 2WD		3	4
Raider, 4WD		4	5

Sentra	1	1
SE-R	2	2
Titan	3	4
Titan, 4WD	4	5
Versa	1	1
Xterra	3	2
Xterra, 4X4	3	2
Xterra, SC (Supercharged)	4	3
Xterra, SC, 4X4 (Supercharged)	4	3

MINI

MODEL	New	Pre-Owned
Cooper	6	5
Cooper S (Supercharged)	7	6
Countryman	9	13
Countryman, AWD	7	6
Countryman, Turbo	7	6
Countryman, AWD, Turbo	16	7

NISSAN

MODEL	New	Pre-Owned
200 SX	N/A	5
240 SX	N/A	4
300 ZX	N/A	7
300 ZX, Turbo	N/A	8
350 Z	6	7
370 Z	6	7
Altima, 4-Cyl	2	2
Altima, V-6	2	2
Cube	1	1
Frontier	2	2
Frontier (Supercharged)	3	3
Frontier, 4X4	2	2
Frontier, 4X4 (Supercharged)	3	3
Juke, Turbo, FWD	2	2
Juke, Turbo, AWD	3	3
Leaf	2	2
Leaf, Electric	Not Covered	
Maxima	3	3
Murano	4	4
Murano, AWD	4	4
NV 1500 V6	3	4
NV 2500 V6	3	4
NV 2500 V8	3	4
NV 3500 V8	3	4
Pathfinder	3	4
Pathfinder, 4X4	3	2
Pathfinder, Armada	3	5
Pathfinder, Armada, 4WD	4	5
Pickup	N/A	2
Pickup, 4X4	N/A	3
Quest	3	3
Rogue, 2WD	2	2
Rogue, 4WD	3	3

OLDSMOBILE

MODEL	New	Pre-Owned
88 Series	N/A	6
88 Series (Supercharged)	N/A	7
98 Series	N/A	6
98 Series (Supercharged)	N/A	7
Achieva	N/A	5
Achieva, Quad 4	N/A	6
Alero	13	5
Aurora	9	7
Bravada	16	6
Bravada, AWD	16	7
Ciera	N/A	4
Cutlass	12	4
Cutlass Supreme	N/A	5
Cutlass Supreme, Convertible	N/A	6
Cutlass Supreme, Turbo	N/A	6
Intrigue	13	6
LSS	N/A	6
LSS, Turbo (Supercharged)	N/A	7
Regency	N/A	6
Royale	N/A	6
Royale, Turbo	N/A	7
Silhouette, APV	8	6

MITSUBISHI

NEW (A) classifications are only for Mitsubishi vehicles with the 120/100 powertrain warranty and the 5/60 full factory warranty and with less than 10,000 miles at time of sale. NEW (B) classifications apply to all other Mitsubishi makes and models.

MODEL	New (A)	New (B)	Pre-Owned
3000 GT		8	7
3000 GT, AWD, Turbo		10	9
Diamante		6	6
Eclipse	1	2	3
Eclipse, 4X4, Turbo		7	7
Eclipse, Turbo		5	6
Endeavor	2	3	4
Endeavor, AWD	2	4	5
Galant, 4-Cyl	1	1	3
Galant, V-6	1	2	3
i-MiEV	N/A	2	2
Lancer	2	3	5
Lancer, AWD	2	4	6
Lancer EVO (Lution) VIII 4X4, Turbo	4	7	8
Lancer EVO (Lution) X	4	7	8
Lancer Ralliart	3	4	6
Mirage		1	1
Montero	1	2	4

PLYMOUTH

MODEL	New	Pre-Owned
Breeze	14	4
Neon	14	4
Prowler	15	7
Voyager	14	6
Voyager, AWD	N/A	6
Voyager, Grand	16	7
Voyager, Grand, AWD	N/A	7

Non-Honda Vehicles

May 15, 2013

PONTIAC

NEW (A) classifications are only for Pontiac vehicles with the 5/60 Powertrain Promise Warranty. NEW (B) classifications apply to all other Pontiac makes and models.

MODEL	New (A)	New (B)	Pre-Owned
Aztek		13	5
Aztek, 4X4		15	6
Bonneville GXP		10	8
Bonneville SE/SLE		14	5
Bonneville SE (Supercharged)		N/A	6
Bonneville SSE		N/A	7
Bonneville SSEi (Supercharged)		9	7
Firebird		9	5
Firebird 350 Formula		9	7
Firebird 350 Trans Am		9	7
G3		3	3
G5		4	3
G6		13	5
G6 GTP/GXP		8	6
G8		13	5
G8 GT/GXP		9	7
Grand Am		13	5
Grand Am GT		8	6
Grand Prix		13	5
Grand Prix GT		8	6
Grand Prix Turbo (Supercharged)		9	7
Grand Prix, V-8		15	7
GTO		9	7
Montana		13	5
Montana, Luxury, 4WD		14	6
Solstice		8	6
Solstice, Turbo		9	7
Sunfire		13	4
SV-6		13	5
SV-6, AWD		14	6
Torrent		7	6
Torrent, AWD		16	7
Trans Sport APV		N/A	6
Vibe		13	5
Vibe, AWD		15	6
Vibe, GT		15	6

PORSCHE

Carrera, 10 cyl models are not eligible for coverage.

MODEL	New	Pre-Owned
All Models	11	9

SAAB

MODEL	New	Pre-Owned
900	N/A	7
900, Turbo	N/A	8
9000	N/A	8
9000, Turbo	N/A	9
9-2X Aero	10	8
9-2X Linear	9	7
9-3	9	7
9-3, Turbo	10	8
9-5	10	8
9-5, Turbo	11	9
9-5, Turbo, AWD	11	9
9-7X, AWD	16	6
9-7X, Aero	10	8

SATURN

MODEL	New	Pre-Owned
ASTRA	4	3
AURA	13	5
L/S Series	4	3
ION	4	3
OUTLOOK	13	5
OUTLOOK, AWD	14	6
RELAY	13	5
RELAY, AWD	14	6
SKY	8	6
SKY, Turbo	9	7
VUE	4	3
VUE, AWD/4WD	5	4

SMART

MODEL	New	Pre-Owned
Fortwo	2	2

SUBARU

MODEL	New	Pre-Owned
B9 Tribeca, AWD	4	3
Baja, AWD	3	2
Baja, AWD, Turbo	4	3
BRZ	2	2
Forester	3	2
Forester, AWD	3	2
Forester XT, AWD, Turbo	4	3
Impreza	N/A	2
Impreza, AWD	3	2
Impreza, AWD, Turbo	4	3
Impreza, AWD, Turbo (Includes WRX)	4	3
Legacy	N/A	2
Legacy, AWD	3	2
Legacy, AWD, Turbo	4	3
Outback, AWD	3	2
Outback, AWD, 6-Cyl	4	3
Outback, AWD, Turbo	4	3
SVX	N/A	6
SVX, AWD	N/A	6
XV Crosstrek, AWD	3	2

SUZUKI

NEW (A) classifications are only for Suzuki vehicles with the 7/100 powertrain warranty. NEW (B) classifications apply to all other Suzuki makes and models..

MODEL	New (A)	New (B)	Pre-Owned
Aerio	3	5	5
Aerio, 4WD	3	6	6
Aerio, 4WD, SX	3	6	6
Aerio, SX	3	5	5
Equator	3	4	4
Equator, AWD	3	5	5
Esteem	3	5	5
Forenza	3	5	5
Kizashi	3	4	4
Kizashi, FWD	3	4	4
Kizashi, AWD	3	5	5
Reno	3	5	5
Sidekick		N/A	5
Sidekick, 4X4		N/A	6
Swift		4	4
SX4, AWD	3	6	6

Non-Honda Vehicles

May 15, 2013

SUZUKI (continued)

MODEL	New (A)	New (B)	Pre-Owned
SX4, FWD	3	5	5
Verona	3	6	6
Vitara	3	5	5
Vitara, 4WD	3	7	7
Vitara, Grand	3	5	5
Vitara, Grand, 4X4	3	7	7
X-90		N/A	5
X-90, 4X4		N/A	6
XL-7	3	5	5
XL-7, 4WD	3	7	7

TOYOTA

MODEL	New	Pre-Owned
4Runner	2	3
4Runner, 4X4	3	4
Avalon	2	2
Camry, 4-Cyl	1	1
Camry, V-6	2	2
Celica	2	2
Celica, AWD, Turbo	N/A	5
Corolla	1	1
Echo	1	1
FJ Cruiser	3	4
Highlander	2	3
Highlander, 4X4	3	4
Land Cruiser, 4X4	8	7
Matrix	1	1
Matrix, 4WD	2	2
MR2 Spyder	3	4
Paseo	N/A	1
Previa, AWD, Turbo	N/A	7
Previa, Turbo	N/A	6
Prius	1	1
Prius c	1	1
RAV4	2	2
RAV4, 4X4	2	2
RAV4 EV	2	2
Scion FR-S	2	2
Scion iQ	1	1
Scion tC	1	1
Scion xA	1	1

Scion xB	1	1
Scion xD	1	1
Sequoia	6	6
Sequoia, 4X4	8	7
Sienna	3	3
Sienna, 4WD	4	4
Solara, 4-Cyl	1	1
Solara, V-6	2	2
Supra	N/A	6
Supra, Turbo	N/A	7
T100	N/A	1
T100, AWD	N/A	2
Tacoma	1	1
Tacoma, 4X4	2	2
Tercel	N/A	1
Tundra	2	3
Tundra, 4X4	3	4
Venza	2	3
Yaris	1	1

VOLKSWAGEN

MODEL	New	Pre-Owned
Beetle	3	6
Beetle, Diesel, Turbo	5	7
Beetle, Turbo	5	7
Cabrio(let)	3	6
CC, V-6	4	7
CC, Turbo	6	7
CC, V-6, 4MOTION [®] 4WD	6	7
Eos	6	7
Eos, Turbo	6	7
Eurovan	11	9
Golf	3	6
Golf, AWD, Turbo	6	8
Golf, Diesel, Turbo	5	7
Golf, Turbo	5	7
GTI	5	6
GTI, Turbo	5	7
Jetta	3	6
Jetta, Diesel	N/A	6
Jetta, Diesel, Turbo	5	7
Jetta, Turbo	5	7
Passat	4	7

Passat, 4MOTION [®] 4X4	6	7
Passat, 4MOTION [®] 4X4, Turbo	7	8
Passat, Diesel, Turbo (TDI)	6	7
Passat, Turbo	6	7
Passat W8, 4MOTION [®] 4X4	10	8
Phaeton, AWD, V-8	10	8
Phaeton, AWD, W-12	11	9
Rabbit	3	6
R32, AWD	6	7
Routan	6	7
Tiguan, Turbo, FWD	5	6
Tiguan, Turbo, AWD	6	7
Touareg, V-6	9	7
Touareg, V-6, 4WD	9	7
Touareg, V-6, 4WD, Turbo, Diesel	10	8
Touareg, V6, AWD, Turbo, Hybrid	10	8
Touareg, V-8	10	8
Touareg, V-8, 4WD	10	8
Touareg, V-8, 4WD, Turbo, Diesel	10	8
Touareg, V-10, AWD	11	9
Touareg, V-10, AWD, Turbo, Diesel	11	9

VOLVO

MODEL	New	Pre-Owned
850	N/A	5
850, Turbo	N/A	5
960	N/A	6
C30 T5	5	4
C70 2.5T/T5	13	5
S40 1.9T	5	4
S40 2.4i	5	4
S40 T5	5	4
S40 T5, AWD	5	4
S60 2.4	13	5
S60 2.4T/2.5T/T5	13	6
S60 2.5T, AWD	13	6
S60R	9	7
S60 T6, AWD, Turbo	13	6
S60 T6, FWD, Turbo	6	5

Non-Honda Vehicles

May 15, 2013

VOLVO (continued)

MODEL	New	Pre-Owned
S70	N/A	5
S70, AWD, Turbo	N/A	6
S70, Turbo	N/A	5
S80 2.9	10	6
S80 3.2	8	6
S80 2.5T/T6	10	6
S80 2.5T, AWD	10	6
S80 T6, AWD	10	6
S80 V-8, AWD	10	7
S80, Turbo, AWD	10	6
S90	N/A	6
V40 1.9T	13	5
V50 2.4I	5	4
V50 T5	13	5
V50 T5, AWD	13	5
V70 2.4/3.2	13	5
V70 2.4T/2.5T/T5	16	6
V70 2.5T, AWD	16	6
V70 XC, AWD, Turbo (Cross Country)	N/A	6
V70R	16	7
V90	N/A	6
XC60, AWD	16	6
XC60, AWD, Turbo	16	6
XC60, FWD	13	6
XC60, FWD, Turbo	13	6
XC70 2.5T, AWD	16	6
XC70 3.2, AWD	16	6
XC70 3.2 FWD	8	6
XC90 3.2, 2WD	8	6
XC90 3.2, AWD	9	7
XC90 T6, AWD	9	7
XC90 2.5T, 2WD	8	6
XC90 2.5T, AWD	9	7
XC90 V-8, AWD	11	7

Non-Honda Vehicles

May 15, 2013



New Non-Honda Vehicles

Coverage for new non-Honda vehicles begins when the vehicle is originally put into service and at zero miles.

Eligibility:

- New non-Honda vehicles must have at least *one month AND 1,000 miles* of full factory warranty remaining

Extended Eligibility:

- Non-Honda vehicles with less than 15 months AND 15,000 miles from the original registration date that are still under factory warranty are eligible for new vehicle coverage *without* a surcharge
- Non-Honda vehicles with more than 15 months or 15,000 miles that still have at least one (1) month AND 1,000 miles of full factory warranty are eligible for new vehicle coverage with the addition of a \$215 surcharge on all classes

VEHICLE CLASS CODES		1	2	3	4	5	6	7	8	9	10	11	12	13	14	15	16
PLAN CODE	\$100 DEDUCTIBLE																
A46	4 yrs/60k mi	316	341	365	415	438	454	469	508	568	725	946	450	459	472	498	526
A50	5 yrs/100k mi	407	475	542	677	742	785	826	932	1,096	1,526	2,131	773	799	834	904	981
A67	6 yrs/72k mi	402	464	526	650	710	750	787	885	1,035	1,431	1,986	738	762	794	859	929
A60	6 yrs/100k mi	462	554	646	830	919	978	1,033	1,178	1,402	1,989	2,813	961	996	1,044	1,140	1,245
PLAN CODE	\$0 DEDUCTIBLE																
B46	4 yrs/60k mi	346	386	426	506	544	570	594	656	753	1,007	1,364	562	578	598	640	685
B50	5 yrs/100k mi	490	599	708	926	1,031	1,101	1,167	1,338	1,603	2,297	3,273	1,081	1,123	1,179	1,293	1,417
B67	6 yrs/72k mi	478	578	678	879	975	1,040	1,100	1,258	1,501	2,140	3,037	1,021	1,060	1,111	1,216	1,330
B60	6 yrs/100k mi	575	724	872	1,170	1,313	1,408	1,498	1,732	2,093	3,040	4,371	1,381	1,438	1,515	1,670	1,839

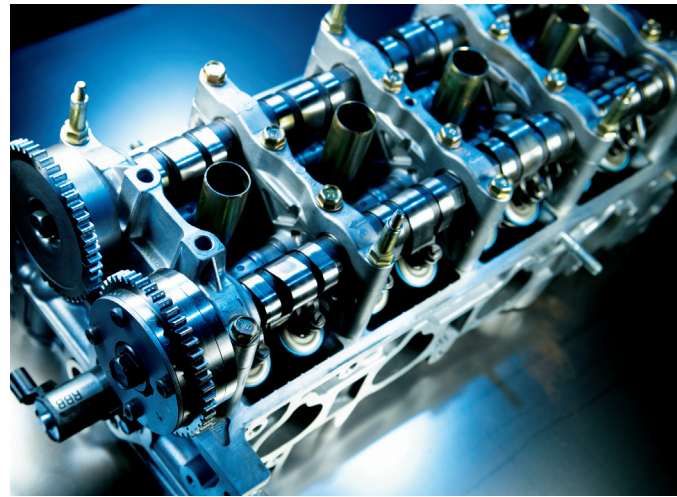
Pre-Owned Non-Honda Vehicles

Coverage for a pre-owned non-Honda vehicle begins on the service contract purchase date and at the mileage on the odometer on that date.

Eligibility:

- Pre-owned non-Honda vehicles are Model Year 2007 and newer
- **Pre-owned plan W11 is for 2004 and newer model year non-Honda vehicles**

VEHICLE CLASS CODES		1	2	3	4	5	6	7	8	9
PLAN CODE	\$100 DEDUCTIBLE	12 mos/12k mi								
W14	Max mileage: 40k	322	357	393	437	490	544	653	790	1,081
W16	Max mileage: 60k	339	382	425	479	545	612	746	915	1,273
W18	Max mileage: 80k	373	434	494	570	662	755	944	1,180	1,681
W11	Max mileage: 100k	456	558	660	787	942	1,099	1,415	1,813	2,655
PLAN CODE	\$100 DEDUCTIBLE	24 mos/24k mi								
W24	Max mileage: 40k	379	440	500	575	667	759	946	1,181	1,679
W26	Max mileage: 60k	455	553	651	774	923	1,074	1,379	1,761	2,573
W28	Max mileage: 80k	556	705	854	1,040	1,266	1,495	1,957	2,537	3,767
PLAN CODE	\$100 DEDUCTIBLE	36 mos/36k mi								
W34	Max mileage: 40k	471	574	677	805	961	1,119	1,438	1,839	2,688
W36	Max mileage: 60k	528	660	791	955	1,154	1,356	1,763	2,274	3,359
PLAN CODE	\$100 DEDUCTIBLE	48 mos/48k mi								
W44	Max mileage: 40k	610	779	948	1,159	1,415	1,674	2,198	2,856	4,251



HONDA
Financial
Services



HondaFinancialServices.com

©2013 Honda Financial Services is a DBA of American Honda Finance Corporation and both are service marks of Honda Motor Co., Ltd. Honda, the H-mark symbol, Acura Care and Honda Care are trademarks of Honda Motor Co., Ltd. HRATE5/13

PE13-024

HONDA

9/6/2013

Attachment #Q9



Honda Research Ohio

Issued By HRAO

QUALITY IMPROVEMENT SHEET (Q.I.S.)

COUNTERMEASURE CONTROL#	RESPONSIBLE SITE AND DEPARTMENT		Rank
HMA13042301	HRAO	OQ	A
INFORMATION SOURCE	Problem Definition ID	CBU Category	
A-rank	PDHMA130426001	CHASSIS	
Supplier	Affected Model		RESPONSIBLE DPT ISSUE DATE
	HMA-ODYSSEY		2013/1/5
Market Information Issuer	Lead Quality Investigator	Investigator Team	THEME UP DATE
Norman Antonio Jr	Josh Defoor	HMA MQ Chassis	2013/23/4
Title			
Unintended Brake Application			
Customer Complaint			
Customers are complaining of the brakes applying themselves. Claims have varied in the contentions. Some claim of brakes applying while turning, at speeds up to 50 MPH, and just normal driving.			
Dealer Repair			
Dealers have not been able to replicate the customers' claims, but have been replacing different parts to repair condition. Some of the parts replaced have been the VSA modulator, steering rate sensor, and the yaw rate sensor. In some cases no parts were replaced.			
Finish Date	1st COUNTERMEASURE APPLICATION DATE	C/M Target Date	
		2013/3/9	
Market Data Investigation			
Most claims are focused around the 07M and 08M Odyssey. There are approximately 20 NHTSA contacts of customers complaining of unexpected brake application. There are also approximately 20 - 30 claims indicating possible unintended brake application. DTC 27-1 has been found on some claims.			
Investigation Cause Analysis			
Customer are experiencing unintended braking believed to be caused by VSA/BA improper activation. - HMA has attended 2 dealer visits with Continental Teves and was unable to create sudden brake. - Replaced all braking components (Master Power Assy, Modulator, Steering Angle Sensor, Sensor Cluster, Wheel Speed Sensors and Stop and Cruise Switch Assy) on vehicles visted. Sent one set of parts to Continental Tevevs for analysis and all parts analysis shows NTF. - Installed one set of replaced parts on HMA test vehicle. Accumulated ~3500 miles with no abnormalities. Issue has been escalated to P1 status on NA SQ Task Force Priority List. QIS will be issued to HRAO OQ Jon Haskell.			

VIEW BEFORE COUNTERMEASURE		VIEW AFTER COUNTERMEASURE	
x		x	
Responsible Department Root Cause Analysis			
COUNTERMEASURE BY		COUNTERMEASURE CONTROL#	
2013/3/9		HMA13042301	
Recomnd Sold Product Treatment	Recomnd Stock Product Treatment	Recmd Part Stock Change	Design Change Number
CoreMQ Problem Definition ID		CoreMQ Problem Definition Name	
9301		Unintended Brake Application	
Recommended Field Action			
Countermeasure Effectiveness			
AH - Domestic			
Sales Division Engineer	Sold Product Treatment	Product Treatment	Part Stock Change
Service Action Report	Service Bulletin Number	After Service Part Number	
AH - Export			
Sales Division Engineer	Sold Product Treatment	Product Treatment	Part Stock Change
Service Action Report	Service Bulletin Number	After Service Part Number	
CH			
Sales Division Engineer	Sold Product Treatment	Product Treatment	Part Stock Change
Service Action Report	Service Bulletin Number	After Service Part Number	

Part Number List	Part Group/Subgroup List
35251 - SENSOR ASSY.	ABS/VSA SYSTEM -
36750 - SW, STOP & CRUISE	ABS/VSA SYSTEM -
39960 - SENSOR, YAW &	ABS/VSA SYSTEM -
57110 - MODULATOR ASSY., VSA	ABS/VSA SYSTEM -

PE13-024

HONDA

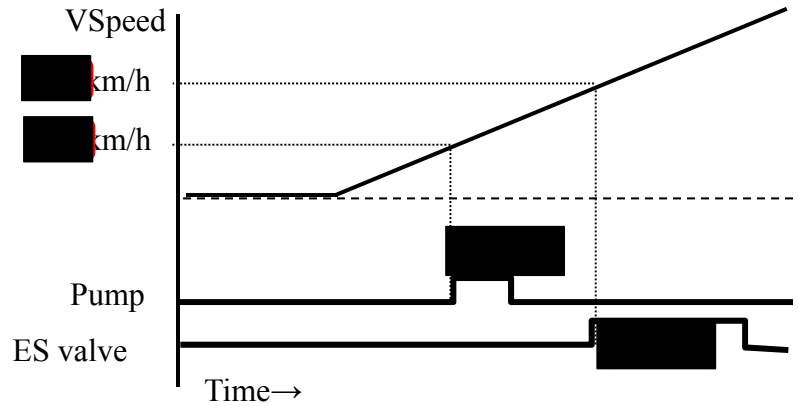
9/6/2013

Attachment #Q10

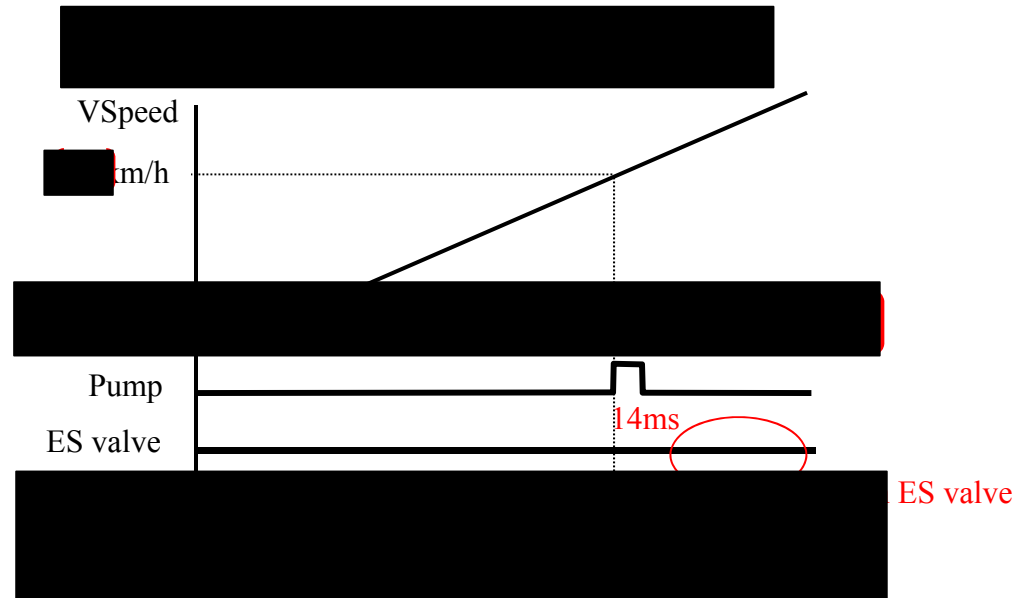
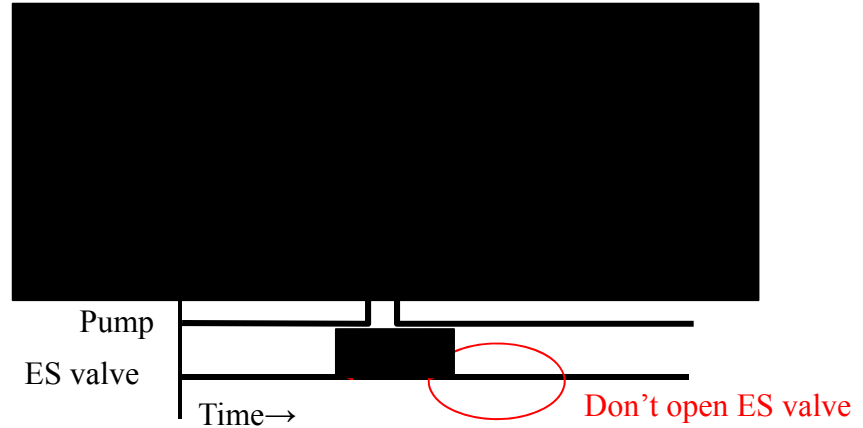
Q10 Document 1(a)

Design change: 1) Opening ES valve was discontinued for 07MMC (Minor Model Change).
The actuation condition for the pump was changed during initial diagnostics.

[Before the change]



[After the change]

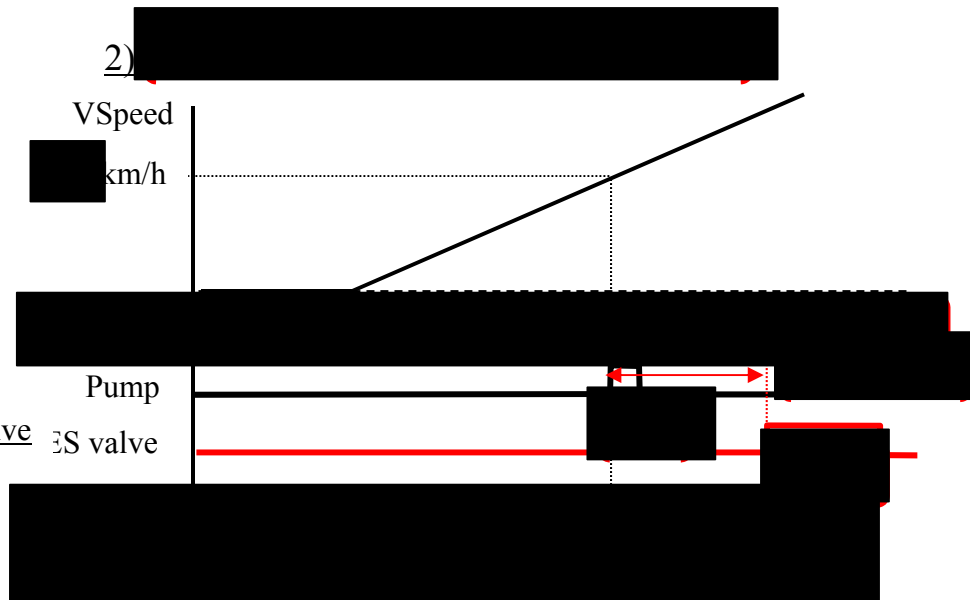
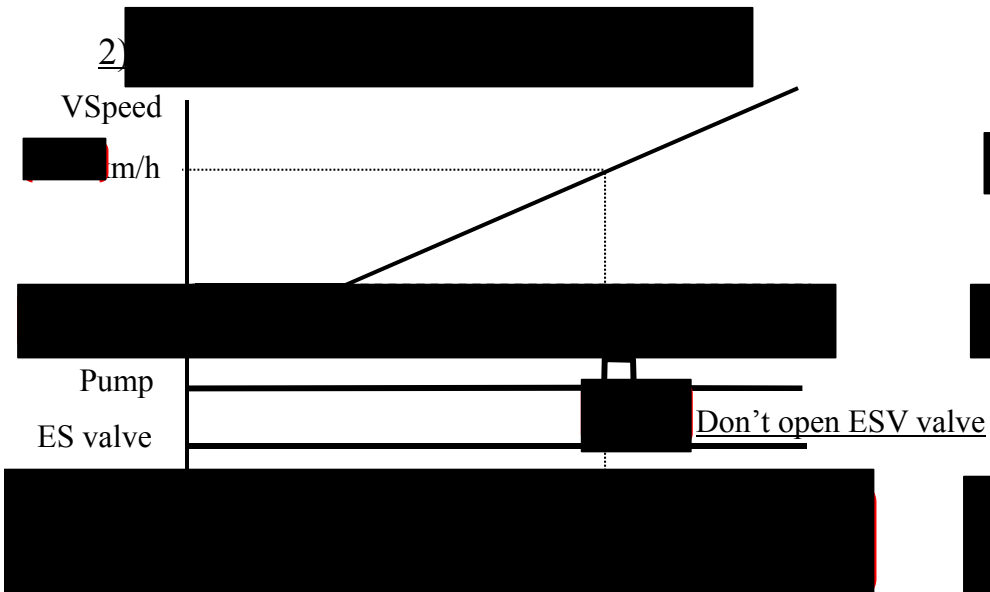
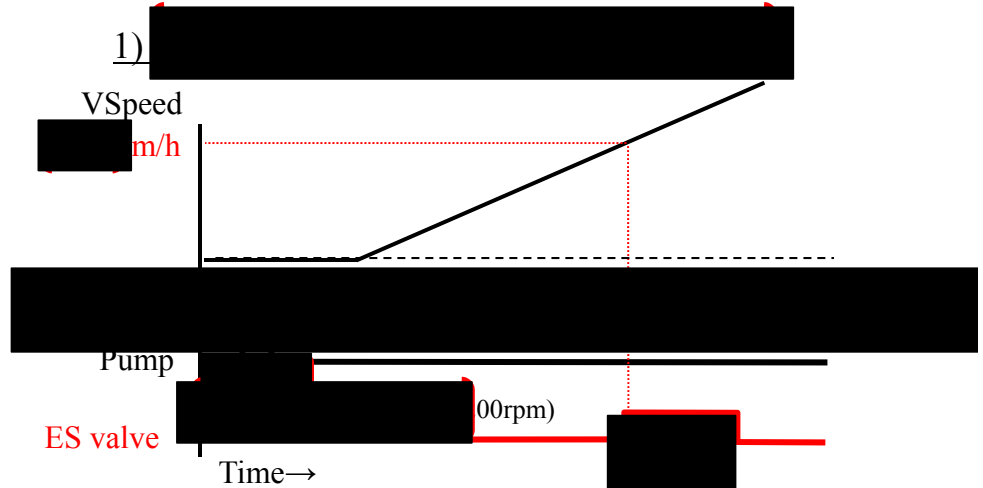
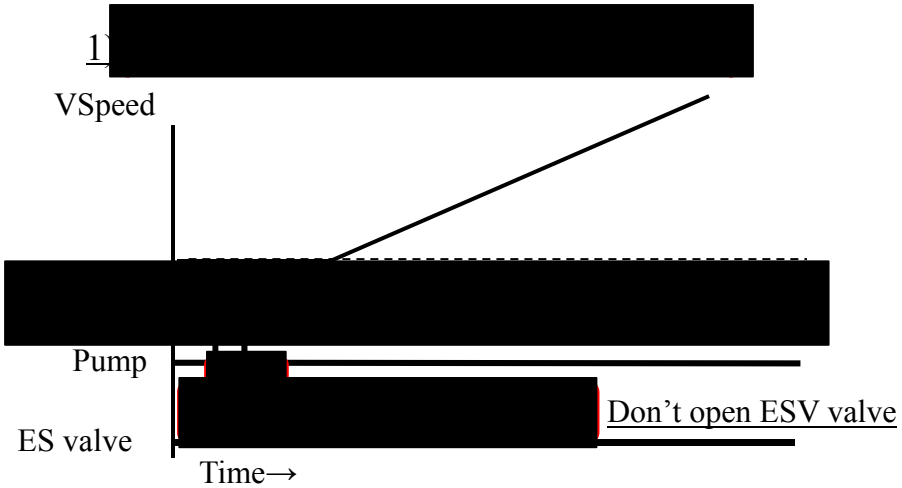


Q10 Document 2(a)

Design change 2) Opening ES valve was added for 09MMC (Minor Model Change).

[Before the change]

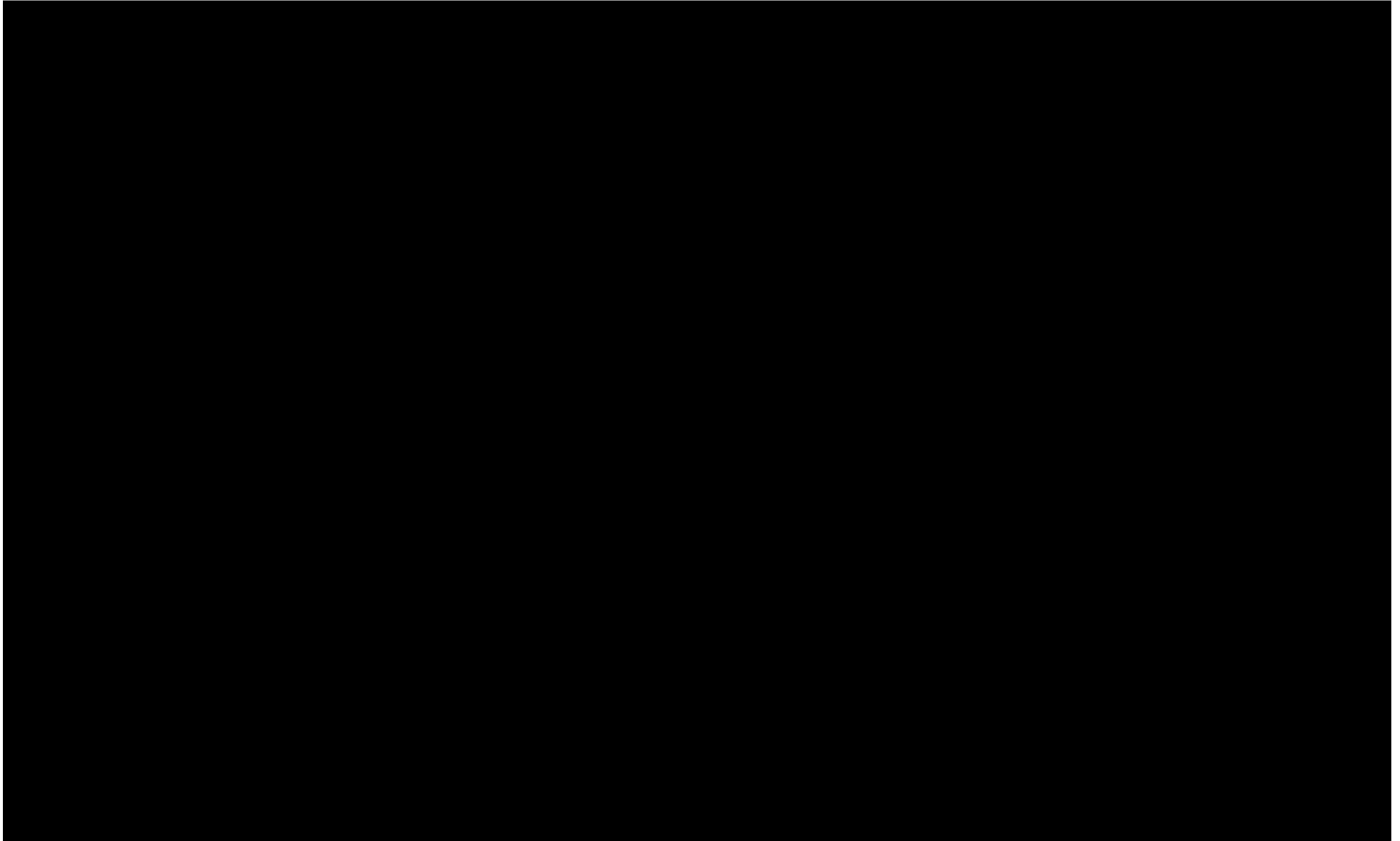
[After the change]



Q10 Document 2(b)

[Before the change]

[After the change]



PE13-024

HONDA

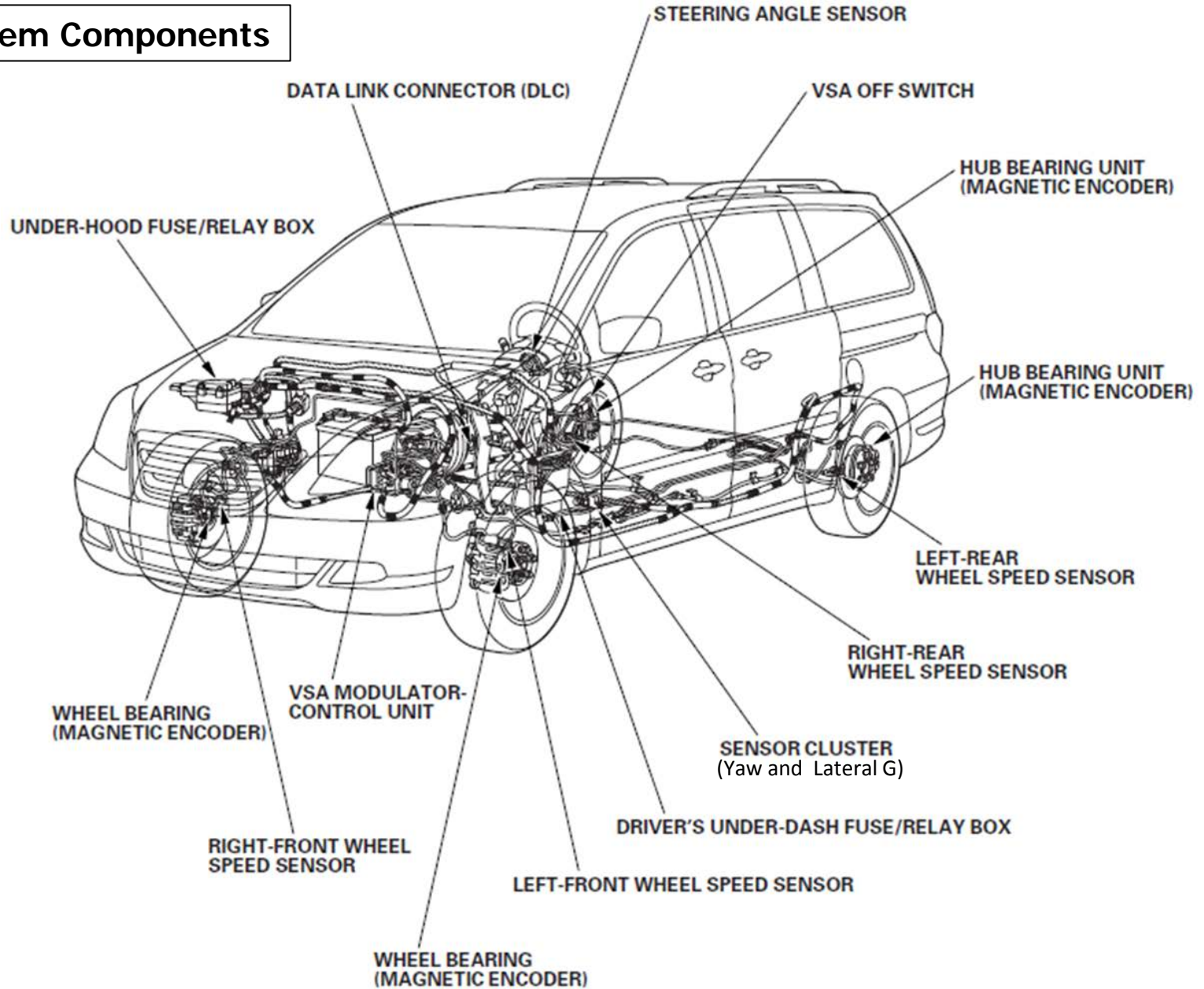
9/6/2013

Attachment #Q13a

Attachment #Q13a

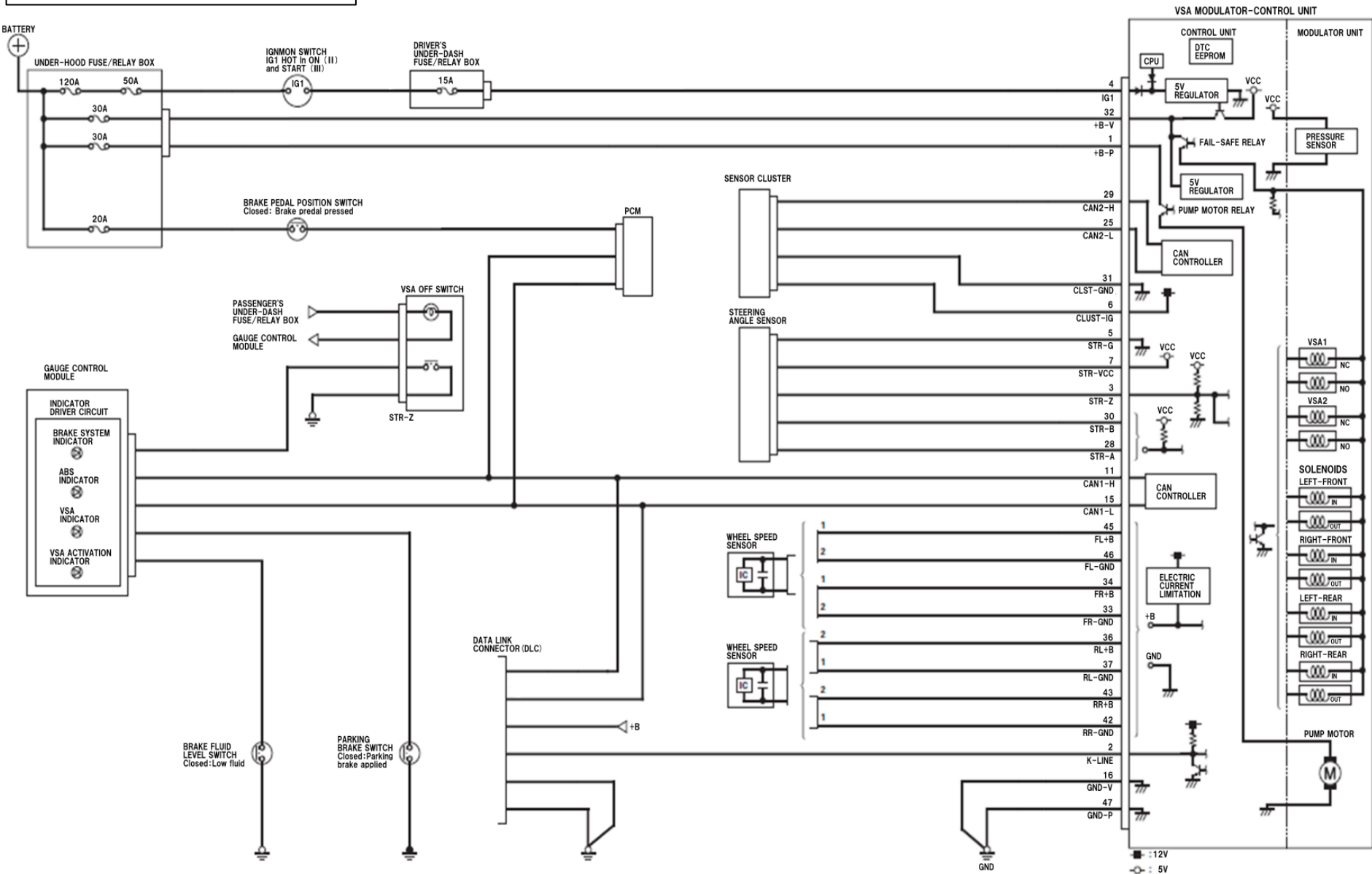
Q13a i)

VSA System Components



Q13a ii)

VSA Wiring Diagram



ABS Control

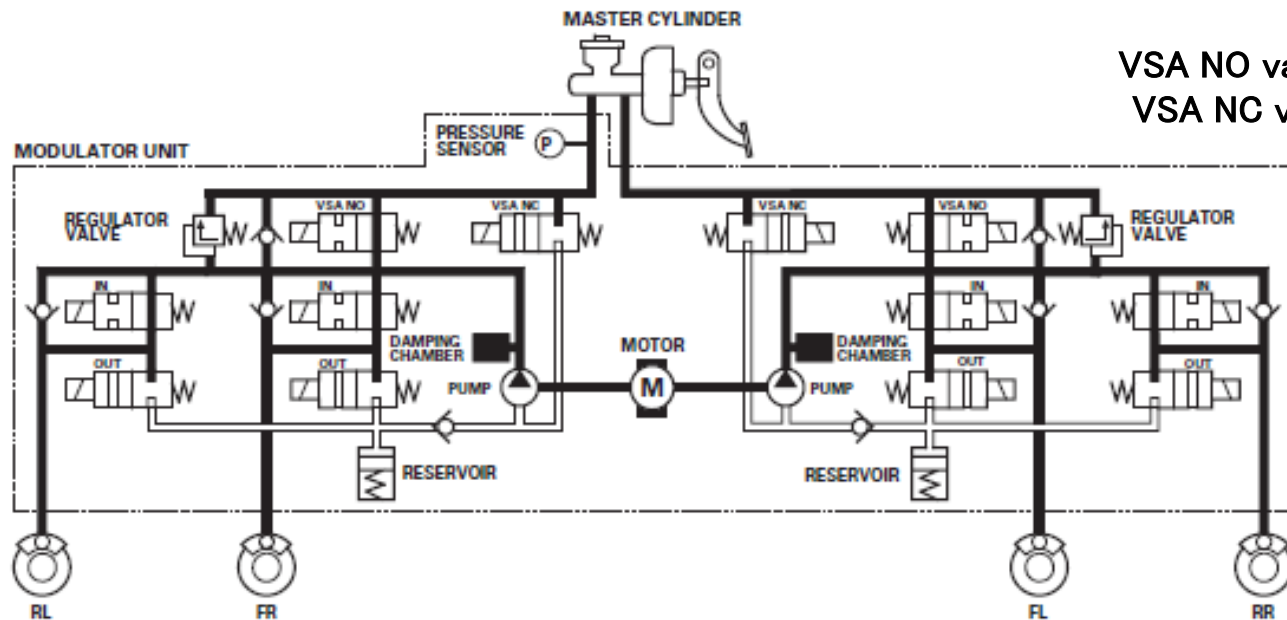
Pressure Intensifying Mode

VSA NO valve open, VSA NC valve closed, inlet valve open, outlet valve closed.
 Master cylinder fluid is pumped out to the caliper.

Pump Motor

When starting the pressure reducing mode, the pump motor is ON. When stopping ABS operation, the pump motor is OFF.

The reservoir fluid is pumped out by the pump, through the damping chamber, to the master cylinder.



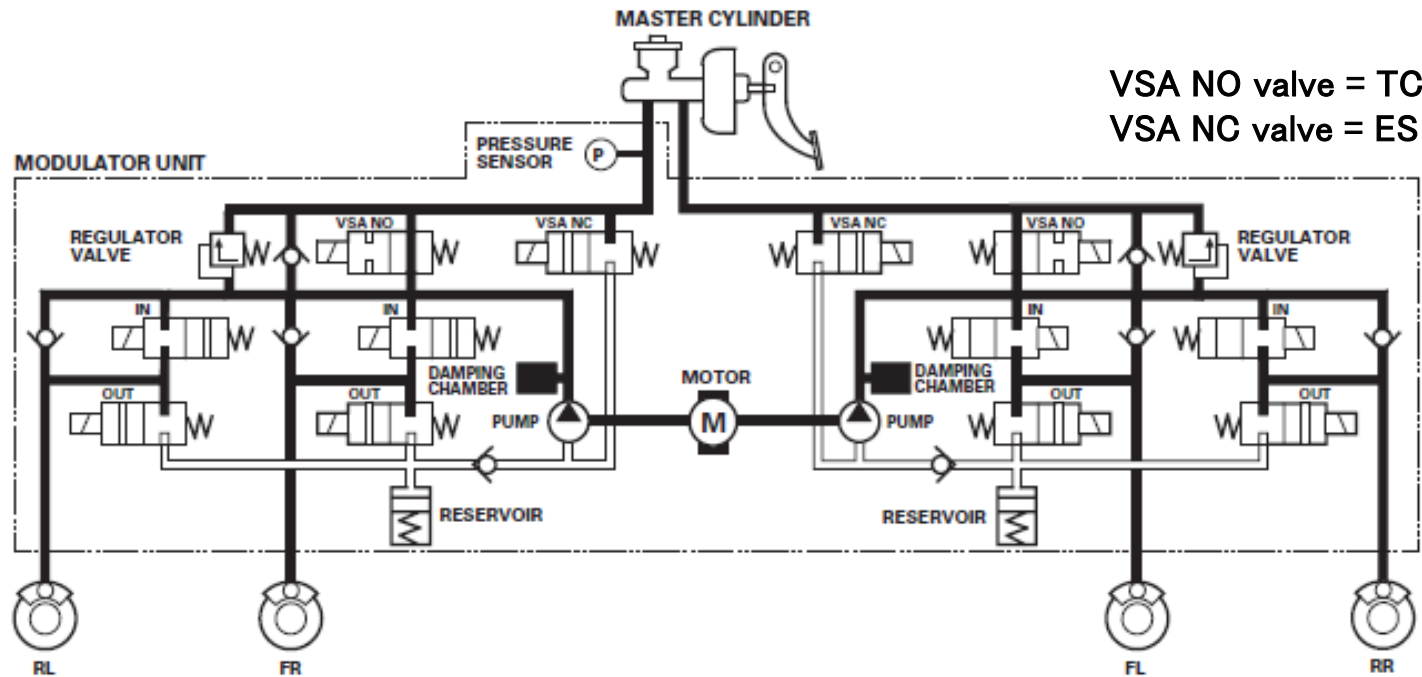
VSA NO valve = TCS valve
 VSA NC valve = ES valve

ABS Control

Pressure Retaining Mode

VSA NO valve open, VSA NC valve closed, inlet valve closed, outlet valve closed.

Caliper fluid is retained by the inlet valve and outlet valve.

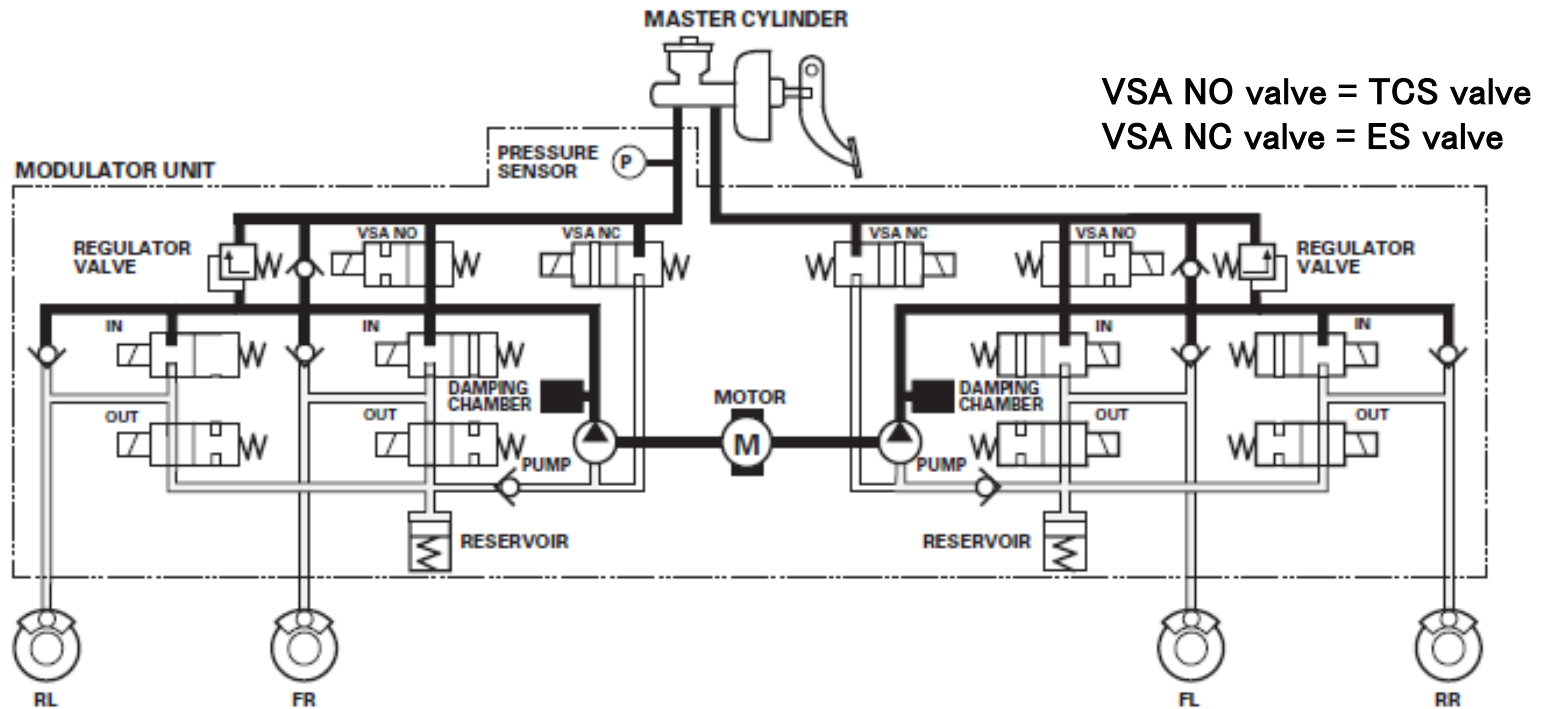


VSA NO valve = TCS valve
VSA NC valve = ES valve

ABS Control

Pressure Reducing Mode

VSA NO valve open, VSA NC valve closed, inlet valve closed, outlet valve open.
 Caliper fluid flows through the outlet valve to the reservoir.

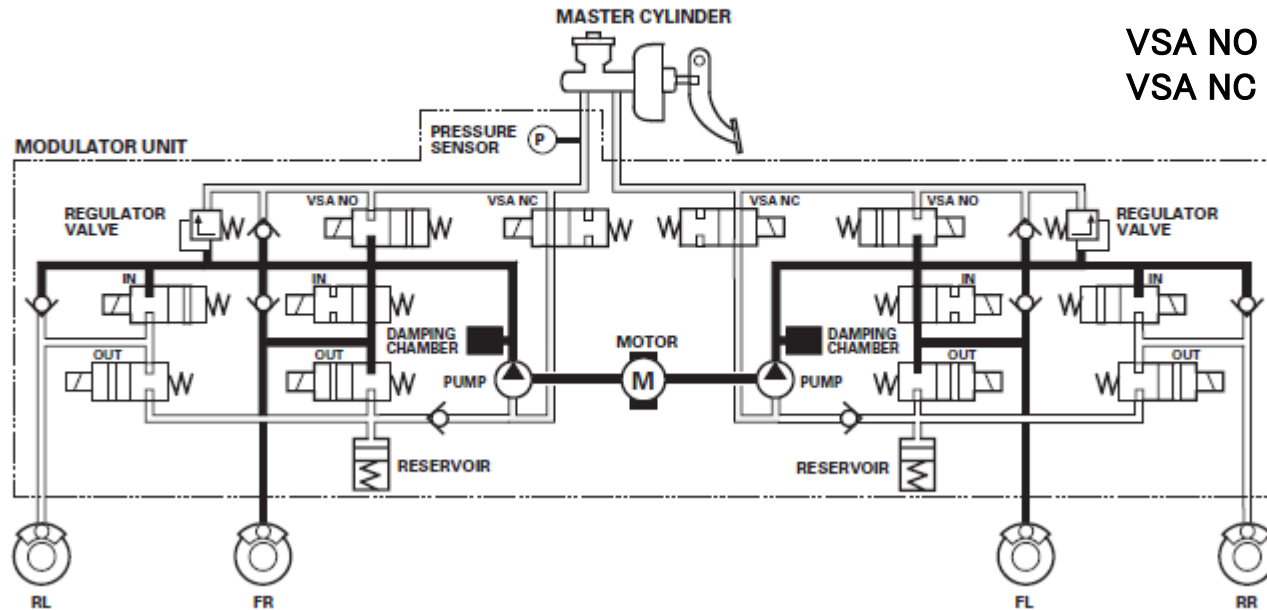


TCS Control

Pressure Intensifying Mode

VSA NO valve closed, VSA NC valve open, inlet valve open, outlet valve closed, pump motor ON.

The reservoir and master cylinder fluid is pumped out by the pump, through the damping chamber, to the front caliper.

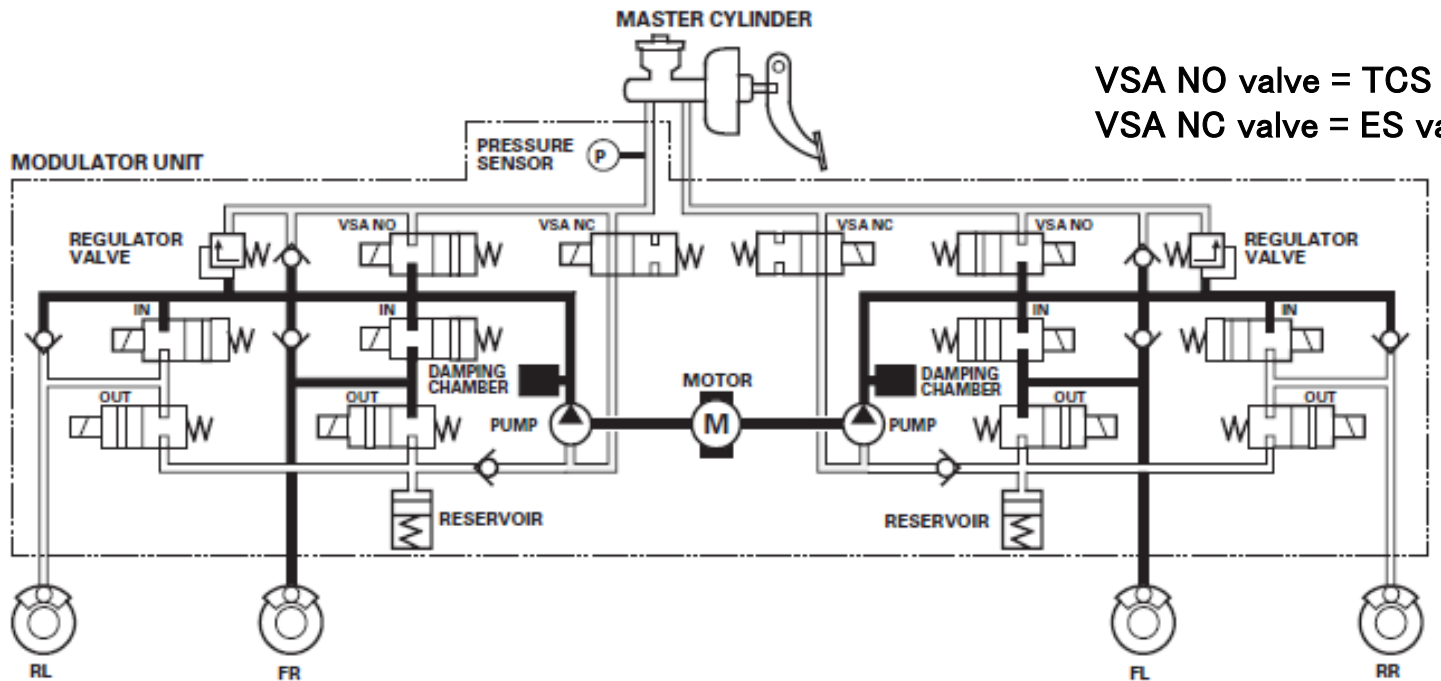


VSA NO valve = TCS valve
VSA NC valve = ES valve

TCS Control

Pressure Retaining Mode

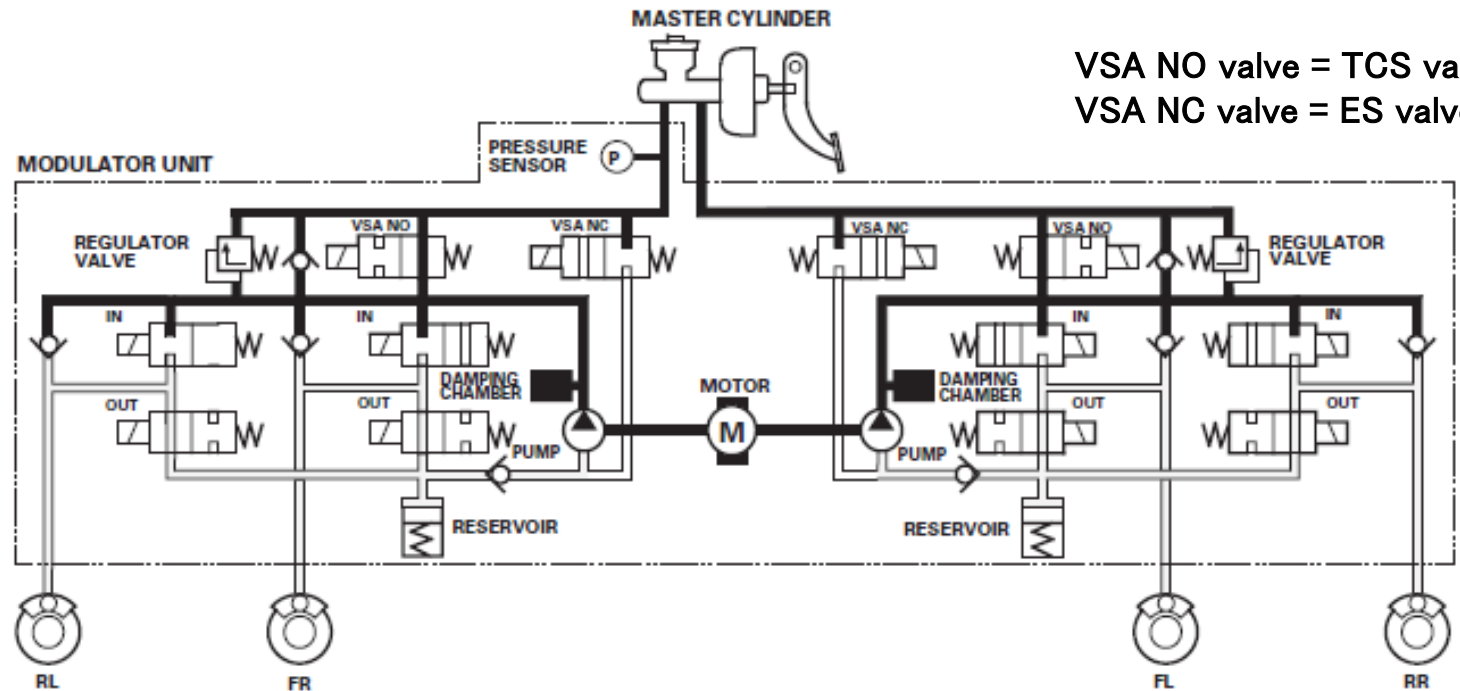
VSA NO valve closed, VSA NC valve open, inlet valve closed, outlet valve closed, pump motor ON.
 Front caliper fluid is retained by the inlet valve and outlet valve.



TCS Control

Pressure Reducing Mode

VSA NO valve open, VSA NC valve closed, inlet valve closed, front outlet valve open, pump motor ON.
 Caliper fluid flows through the outlet valve to the reservoir.



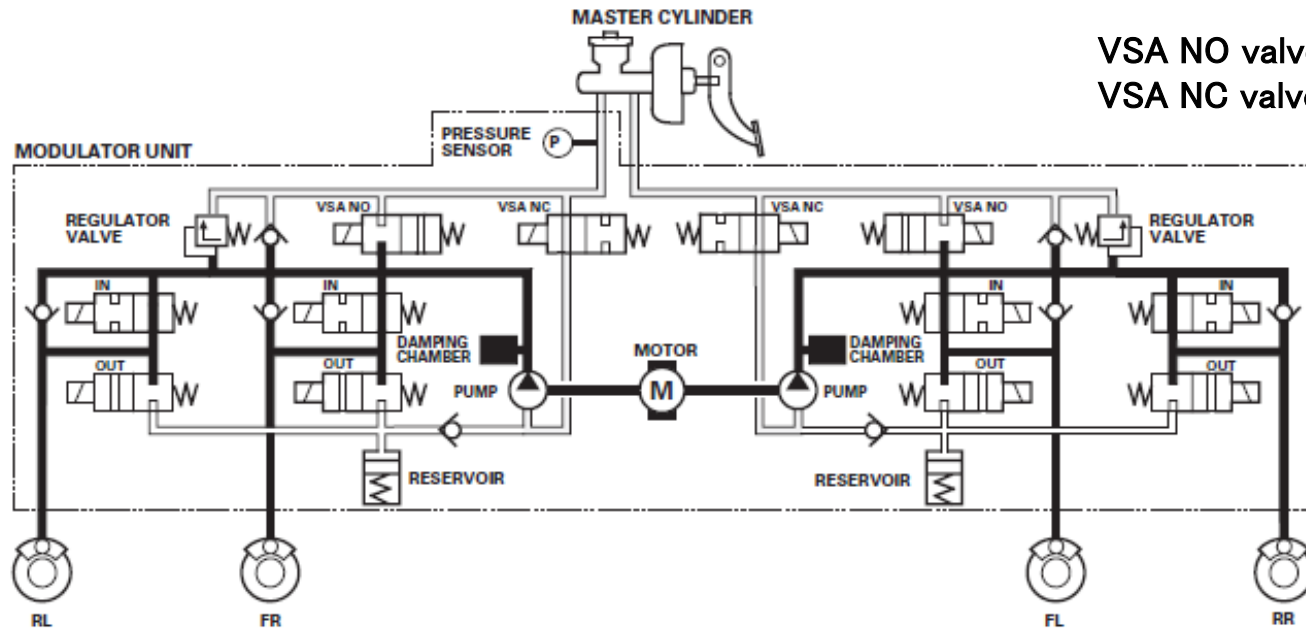
VSA NO valve = TCS valve
 VSA NC valve = ES valve

VSA Control

Pressure Intensifying Mode

VSA NO valve closed, VSA NC valve open, inlet valve open, outlet valve closed, pump motor ON.

The reservoir and master cylinder fluid is pumped out by the pump, through the damping chamber, to the front and rear calipers.

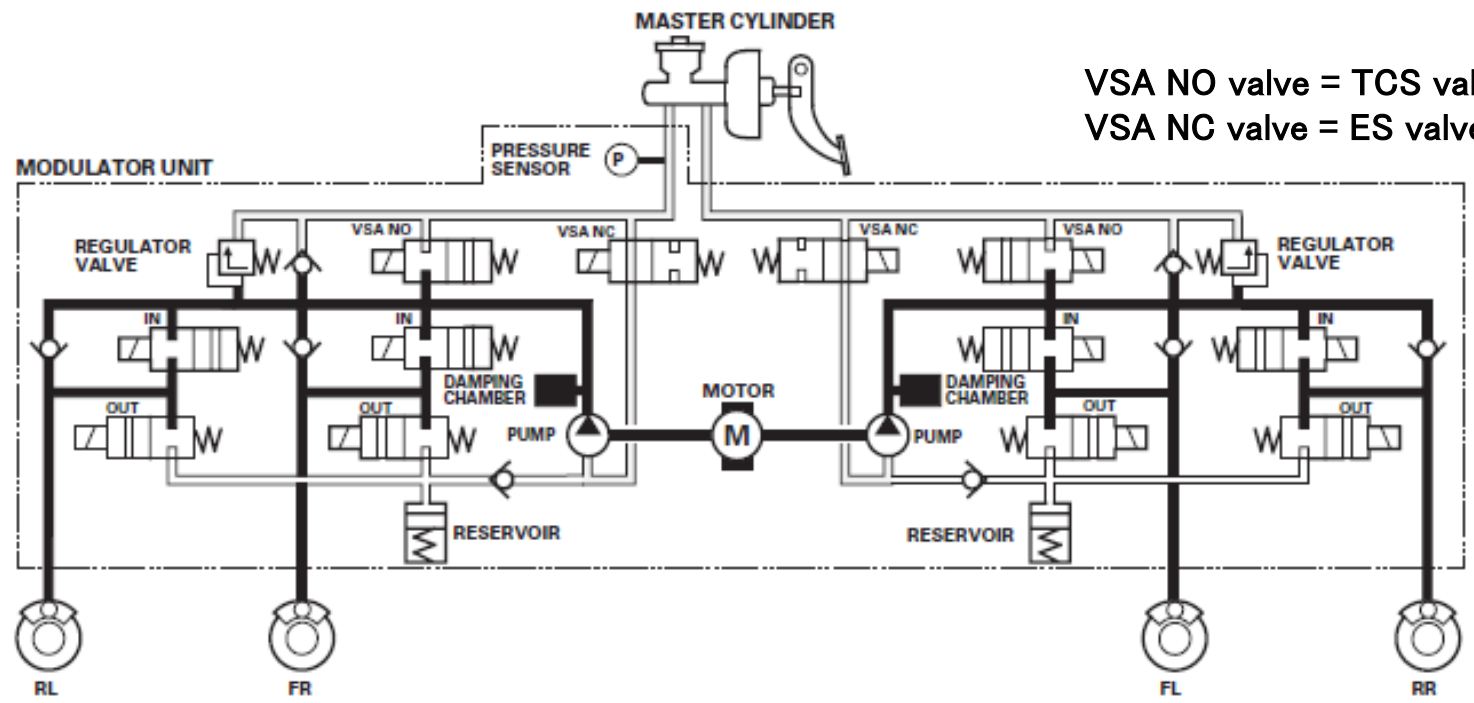


VSA NO valve = TCS valve
VSA NC valve = ES valve

VSA Control

Pressure Retaining Mode

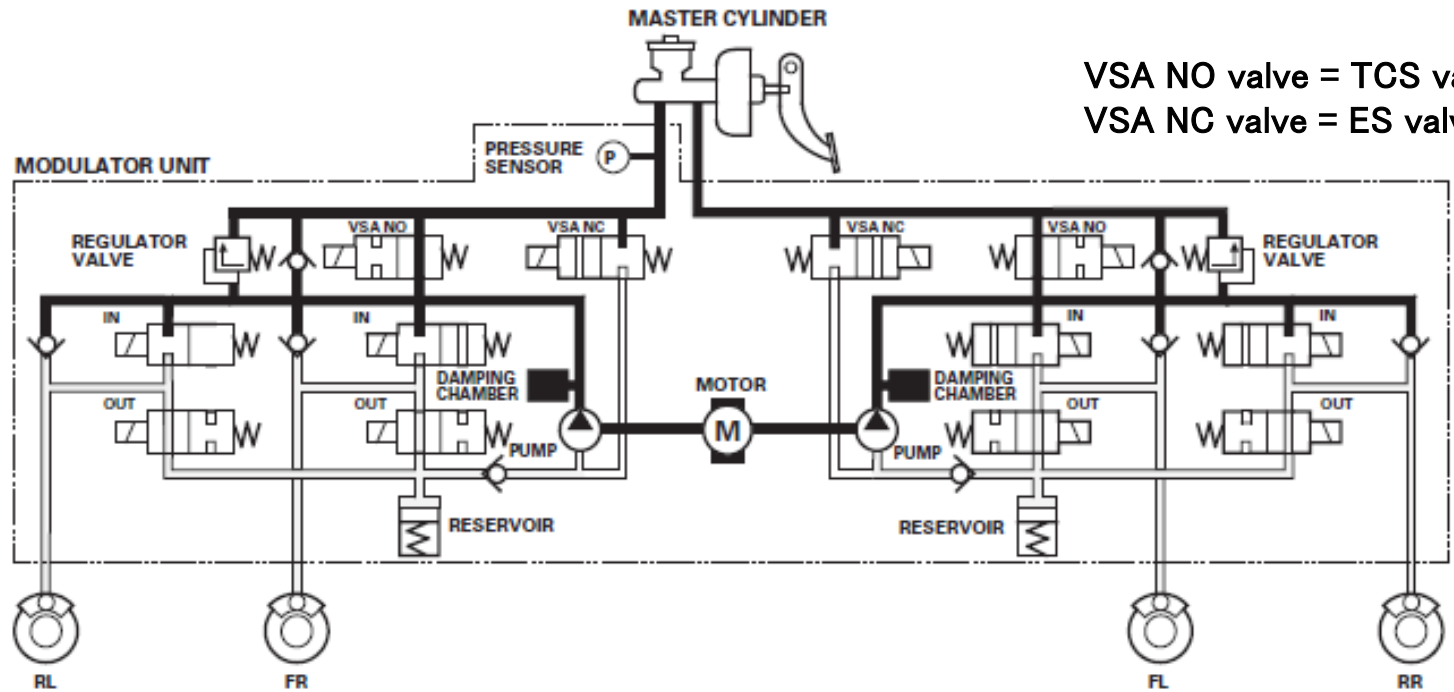
VSA NO valve closed, VSA NC valve open, inlet valve closed, outlet valve closed, pump motor ON.
Front and rear caliper fluid is retained by the inlet valve and outlet valve.



VSA Control

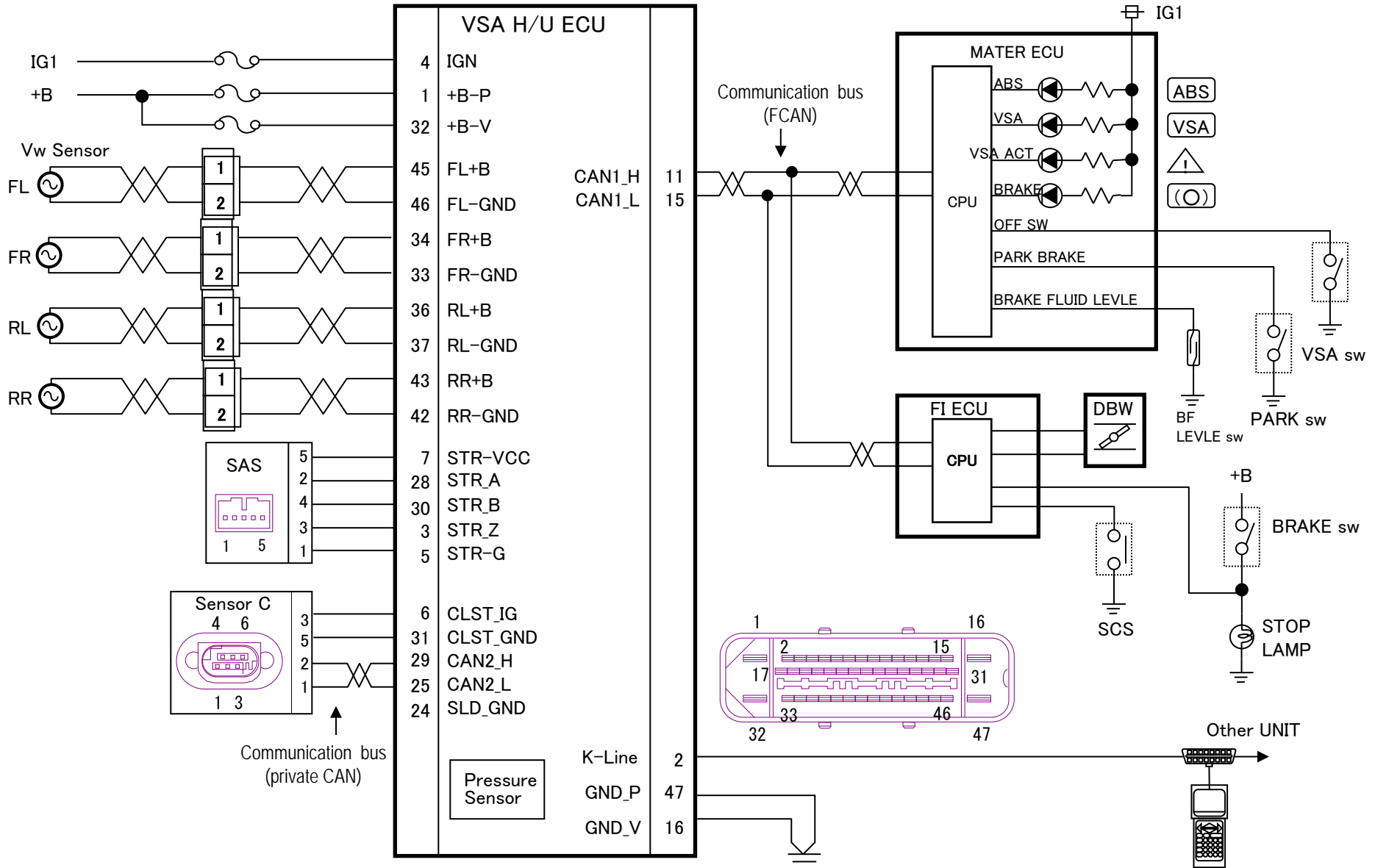
Pressure Reducing Mode

VSA NO valve open, VSA NC valve closed, inlet valve closed, outlet valve open, pump motor ON.
 Caliper fluid flows through the outlet valve to the reservoir.



Q13a iv)

VSA Block Diagram



PE13-024

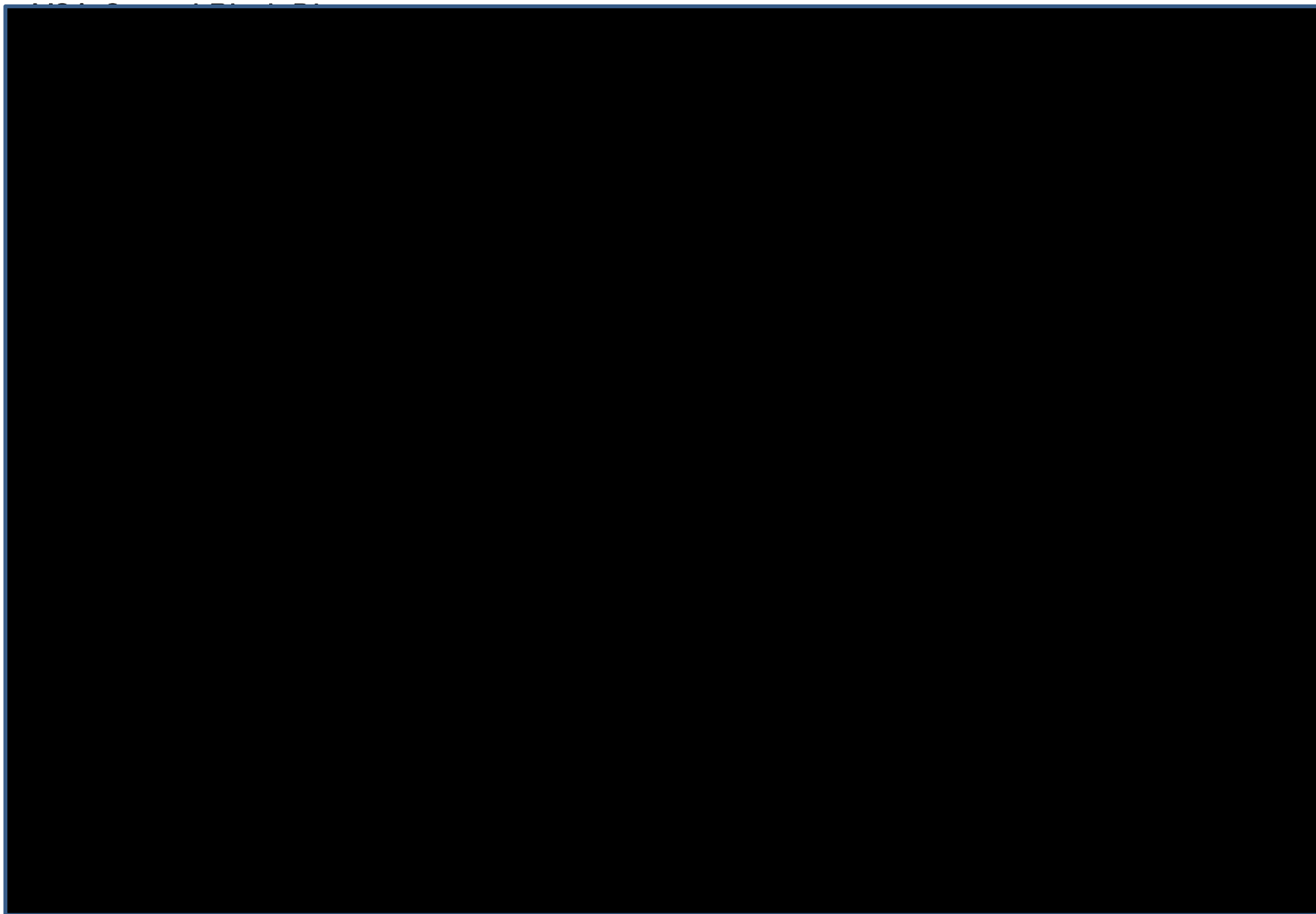
HONDA

9/6/2013

Attachment #Q13b-i

REDACTED

Q13b i) Document 1 (1/3)



Q13b i) 2/3

① When over-steer is generated

(a) Sensor signal processing

The over-steer controls is executed with using the steering angle sensor, which measures the steering angle as driver's input, yaw rate sensor and lateral acceleration sensor, which measures the vehicle maneuver, and the wheel speed sensor which measures the wheel rotation speed.

(b) Target signal of over-steer control (standard signal of over-steer control)

The Steering-reference-yaw-rate which is calculated by using steering angle and vehicle velocity, is used as a target signal of over-steer control. And the Maneuver-reference-yaw-rate which is calculated by using lateral acceleration and vehicle velocity, is used for helping the over-steer control.

(c) Side slipping (Or the variable that corresponds to it)

The deviation between the target yaw rate and the actual yaw rate is calculated as a simulated value of side slip.

(d) Detection of over-steering

The over-steer situation is recognized when the actual yaw rate exceeds the over-steer target yaw rate. The over-steer control starts when the deviation value (mentioned in (c)) exceeds the control threshold.

(e) Brake control operation

The brake control strength is decided by the exceeded value of yaw rate, and its changing velocity. And the decided brake pressure is added onto the wheels of the outer side of the vehicle cornering.

(f) Over-steer control effect

The yaw-moment of the outer direction of cornering is generated by the control brake pressure added onto outer side wheel. The outer direction yaw-moment reduces the yaw movement of the vehicle and prevents the over-steer situation.

Q13b i) 3/3

② When under-steer is generated

(a) Sensor signal processing

The over-steer controls is executed with using the steering angle sensor, which measures the steering angle as driver's input, yaw rate sensor and lateral acceleration sensor, which measures the vehicle maneuver, and the wheel speed sensor which measures the wheel rotation speed.

(b) Target signal of under-steer control (standard signal of under-steer control)

The Steering-reference-yaw-rate which is calculated by using steering angle and vehicle velocity, is used as a target signal of under-steer control.

(c) Side slipping (Or the variable that corresponds to it)

The deviation between the target yaw rate and the actual yaw rate is calculated as a simulated value of side slip.

(d) Detection of under-steer

The under-steer situation is recognized when the actual yaw rate is smaller than the under-steer target yaw rate.

The under-steer control starts when the deviation value (mentioned in (c)) exceeds the control threshold.

(e) Brake control and engine control operation

The brake control strength is decided by the yaw rate deviation, and its changing velocity.

And decided brake pressure is added onto the wheels of the inner side of the vehicle cornering.

And if the deviation exceeds the engine control threshold, the engine torque reduction control is executed.

(f) Under-steer control effect

The yaw-moment of the inner direction of cornering is generated by the control brake pressure added onto inner side wheel. The outer direction yaw-moment enforces the yaw movement of the vehicle and prevents the over-steer situation.

And engine torque reduction control reduces the under-steer caused by the drive-slip of the front wheels, and reduces the under-steer by reduction of the vehicle speed.

PE13-024

HONDA

9/6/2013

Attachment #Q13c

Attachment #Q13c

Meter Indicator

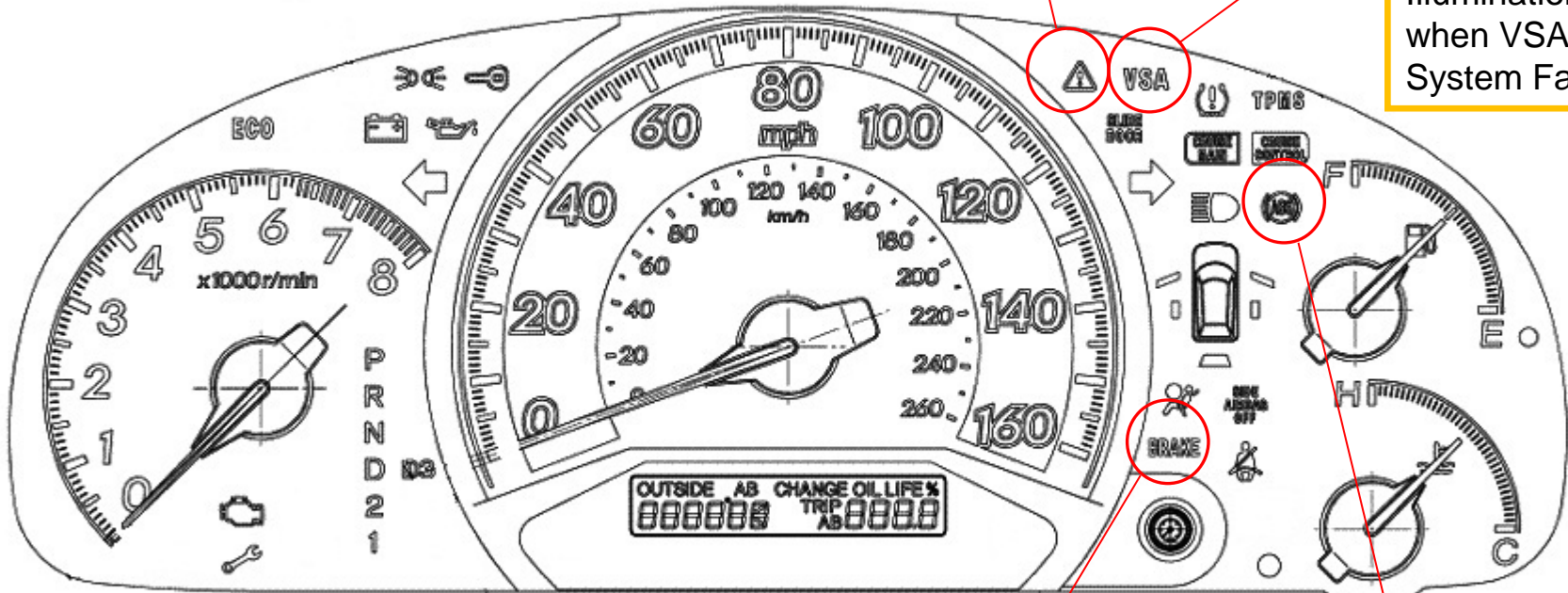
With Multi Information

Flashes when VSA Activated;
Constant Illumination when
VSA is Disabled by Customer
and when VSA System Failure



VSA

Constant
Illumination
when VSA
System Failure



Constant
Illumination when
EBD System Failure

BRAKE



Constant Illumination when
ABS System Failure

Meter Indicator

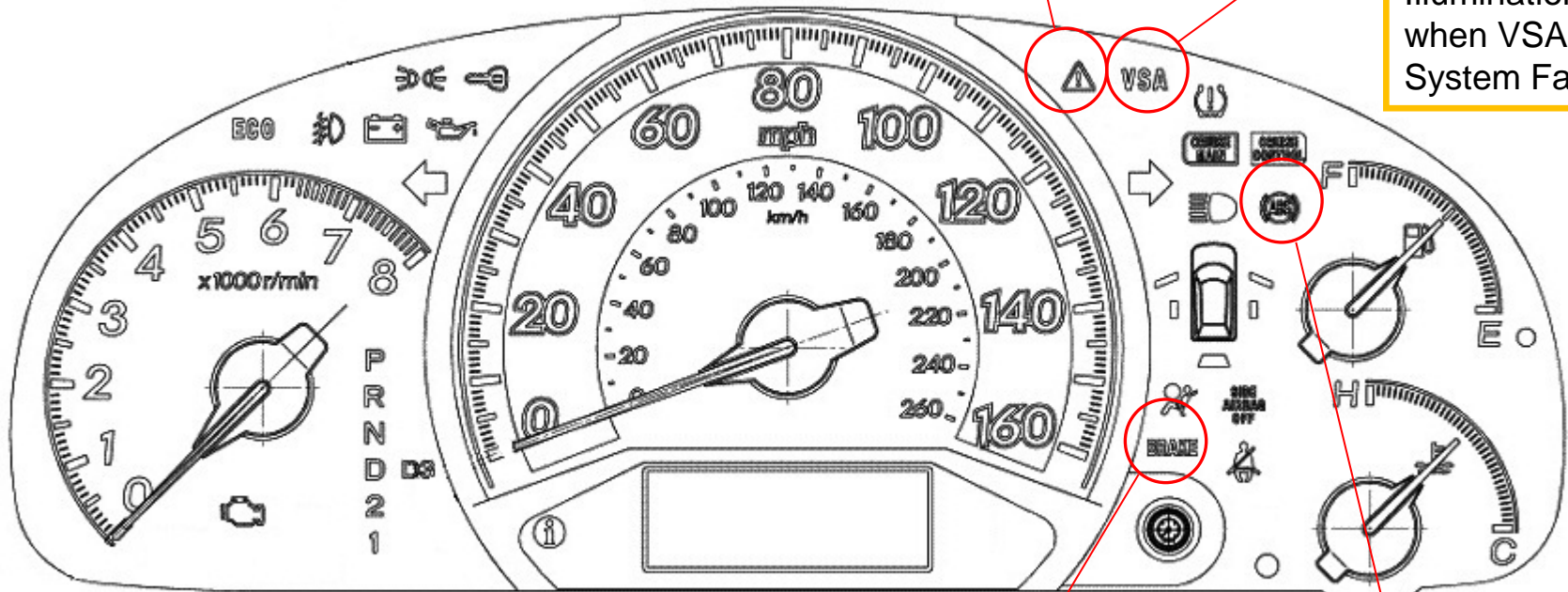
Without Multi Information

Flashes when VSA Activated;
Constant Illumination when
VSA is Disabled by Customer
and when VSA System Failure



VSA

Constant
Illumination
when VSA
System Failure



Constant
Illumination when
EBD System Failure

BRAKE



Constant Illumination when
ABS System Failure

PE13-024

HONDA

9/6/2013

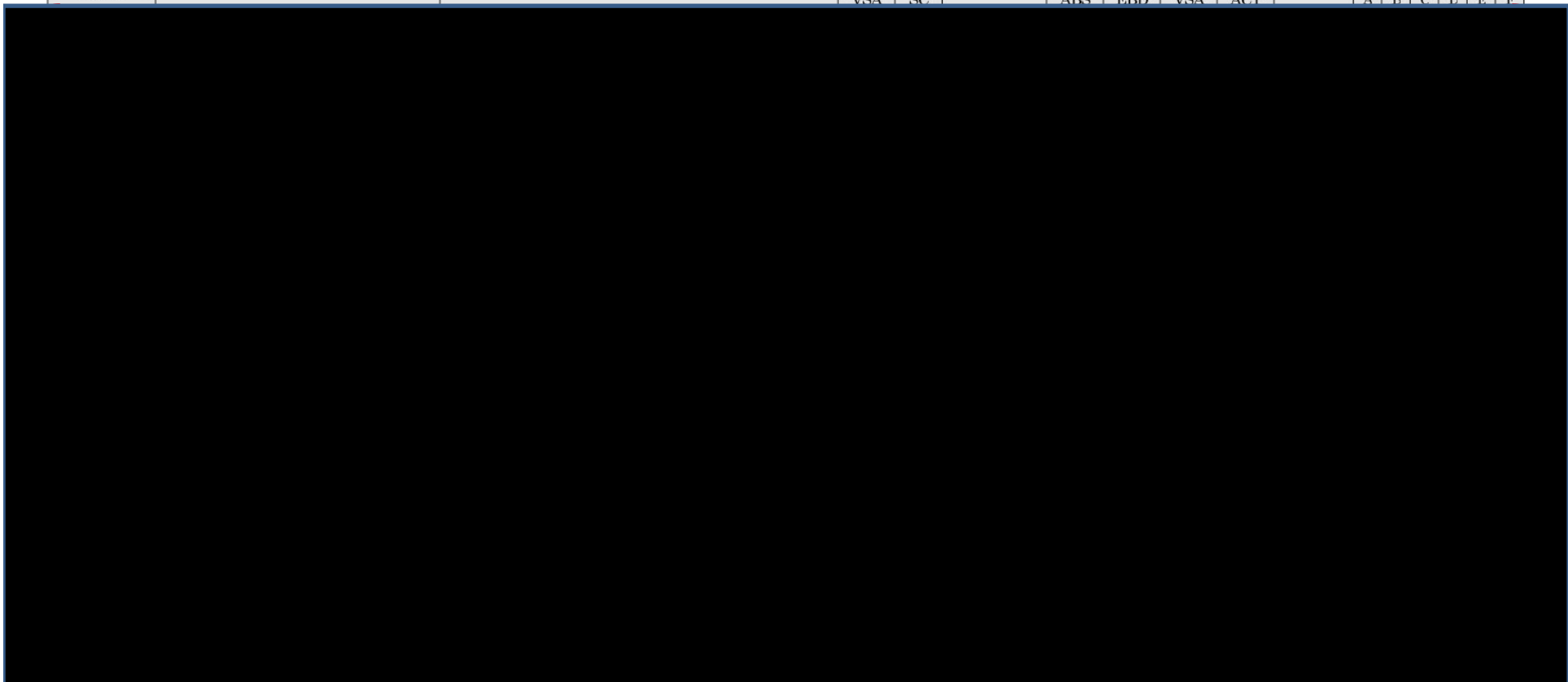
Attachment #Q13d

REDACTED

Q13d 1/14

MCU:マイコン/microcomputer PCU:入力用 IC/IC for input SC:センサクラス/sensor cluster
 検出時期/detection timing (A : 初期 WL 点灯中/early WL lighting B : ABS/TCS/VSA 非制御中/out of ABS/TCS/VSA control C : ABS 制御中/ABS control
 D : TCS 制御中/TCS control E : VSA 制御中/VSA control F : SCS/MES モード時/SCS/MES mode)

検出対象 Detection Object	検出モード Detection Mode	検出基準詳細 Detection Standard Description	検出 CPU Detection CPU		検出時の処理 Processing	WL				フェールコード* Fail code	検出時期 Detection Timing					
			VSA	SC		ABS	EBD	VSA	ACT		A	B	C	D	E	F

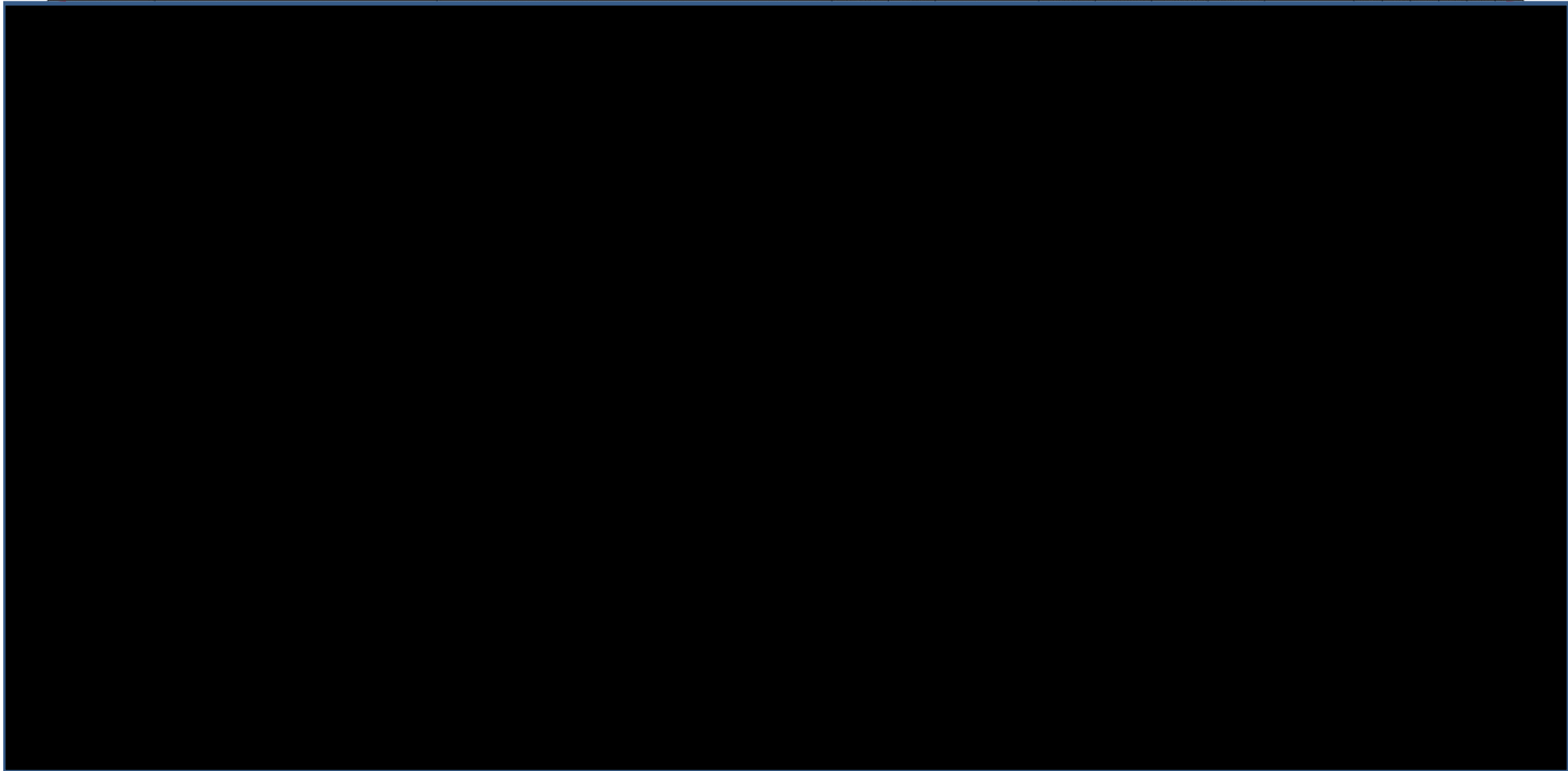


Q13d 2/14

MCU:マイコン/microcomputer PCU:入力用IC/IC for input SC:センサクラス/sensor cluster

検出時期/detection timing (A : 初期 WL 点灯中/early WL lighting B : ABS/TCS/VSA 非制御中/out of ABS/TCS/VSA control C : ABS 制御中/ABS control
D : TCS 制御中/TCS control E : VSA 制御中/VSA control F : SCS/MES モード時/SCS/MES mode)

検出対象 Detection Object	検出モード Detection Mode	検出基準詳細 Detection Standard Description	検出 CPU Detection CPU		検出時の処理 Processing	WL				フェールコード* Failcode	検出時期 Detection Timing					
			VSA	SC		ABS	EBD	VSA	ACT		A	B	C	D	E	F

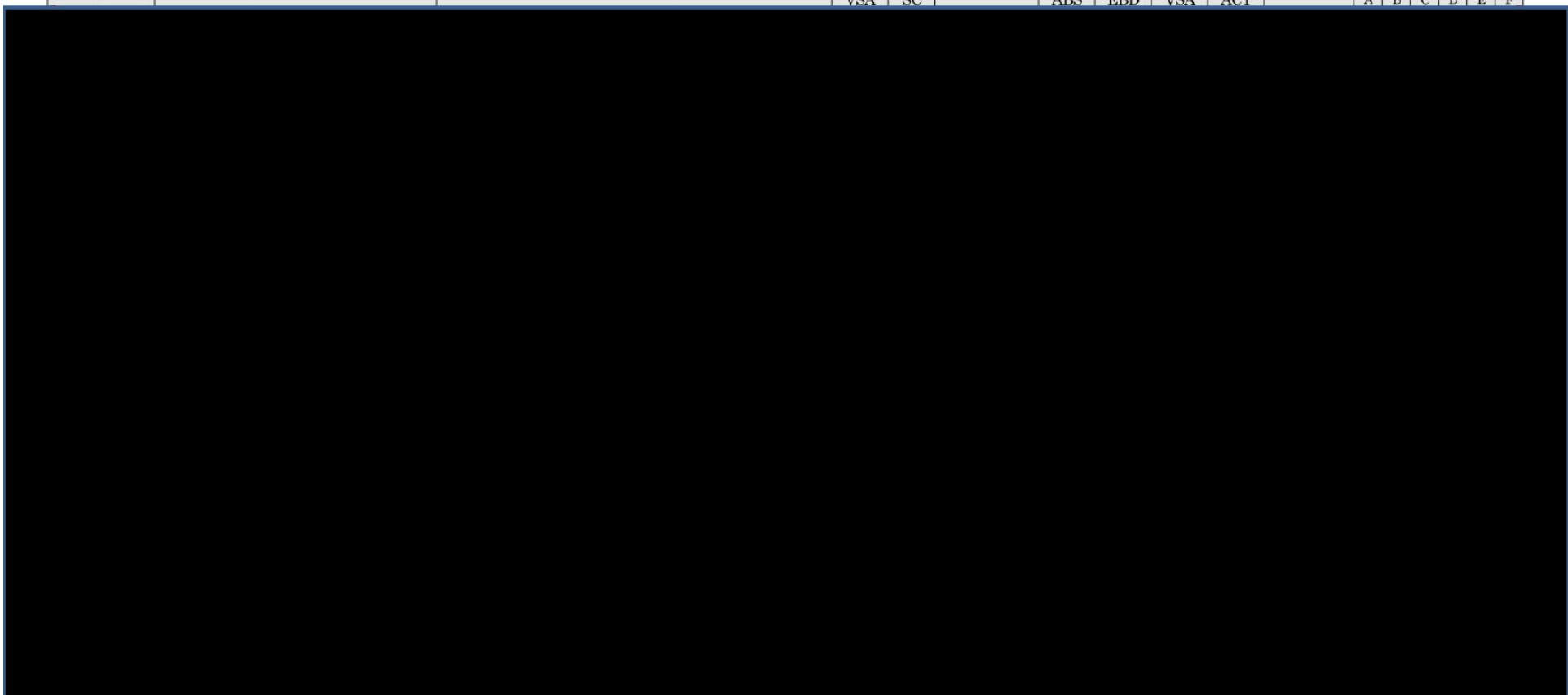


Q13d 3/14

MCU:マイコン/microcomputer PCU:入力用IC/IC for input SC:センサクラス/sensor cluster

検出時期/detection timing (A:初期WL点灯中/early WL lighting B:ABS/TCS/VSA 非制御中/out of ABS/TCS/VSA control C:ABS 制御中/ABS control
D:TCS 制御中/TCS control E:VSA 制御中/VSA control F:SCS/MESモード時/SCS/MES mode)

検出対象 Detection Object	検出モード Detection Mode	検出基準詳細 Detection Standard Description	検出CPU Detection CPU		検出時の処理 Processing	WL				フェールコード* Failcode	検出時期 Detection Timing					
			VSA	SC		ABS	EBD	VSA	ACT		A	B	C	D	E	F

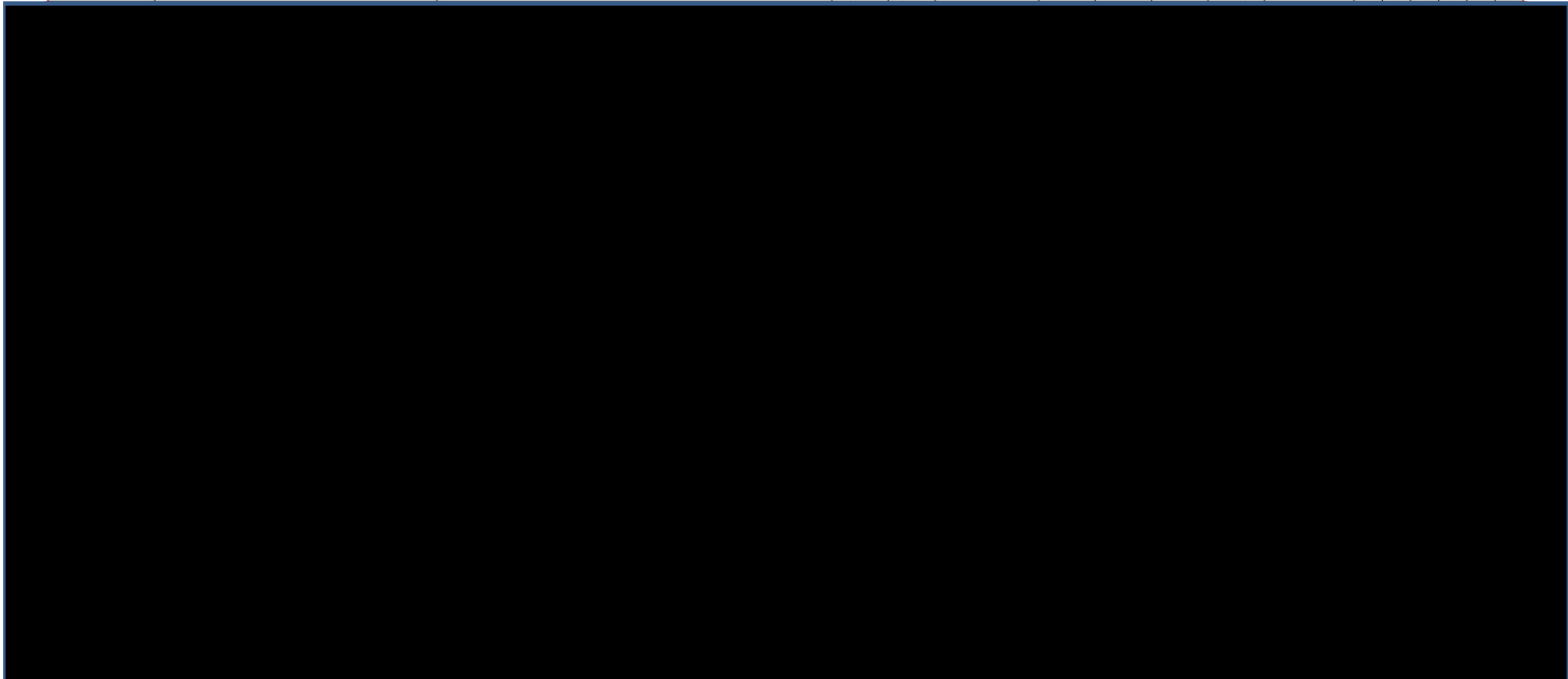


Q13d 4/14

MCU:マイコン/microcomputer PCU:入力用IC/IC for input SC:センサクラス/sensor cluster

検出時期/detection timing (A:初期WL点灯中/early WL lighting B:ABS/TCS/VSA 非制御中/out of ABS/TCS/VSA control C:ABS 制御中/ABS control
D:TCS 制御中/TCS control E:VSA 制御中/VSA control F:SCS/MES モード時/SCS/MES mode)

検出対象 Detection Object	検出モード Detection Mode	検出基準詳細 Detection Standard Description	検出 CPU Detection CPU		検出時の処理 Processing	WL				フェールコード* Failcode	検出時期 Detection Timing					
			VSA	SC		ABS	EBD	VSA	ACT		A	B	C	D	E	F

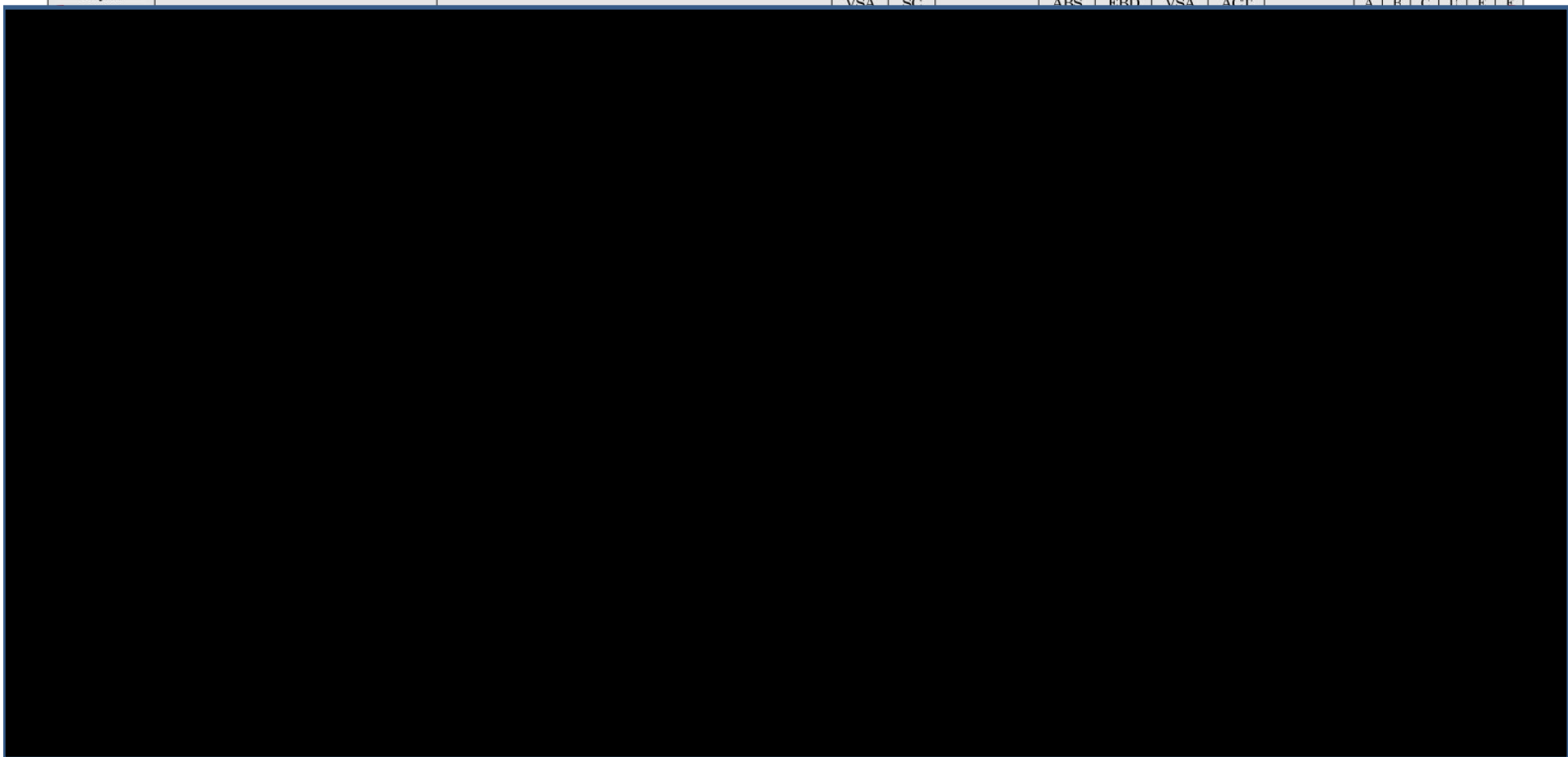


Q13d 5/14

MCU:マイコン/microcomputer PCU:入力用IC/IC for input SC:センサクラス/sensor cluster

検出時期/detection timing (A : 初期 WL 点灯中/early WL lighting B : ABS/TCS/VSA 非制御中/out of ABS/TCS/VSA control C : ABS 制御中/ABS control
D : TCS 制御中/TCS control E : VSA 制御中/VSA control F : SCS/MES モード時/SCS/MES mode)

検出対象 Detection Object	検出モード Detection Mode	検出基準詳細 Detection Standard Description	検出 CPU Detection CPU		検出時の処理 Processing	WL				フェールコード* Failcode	検出時期 Detection Timing					
			VSA	SC		ABS	EBD	VSA	ACT		A	B	C	D	E	F

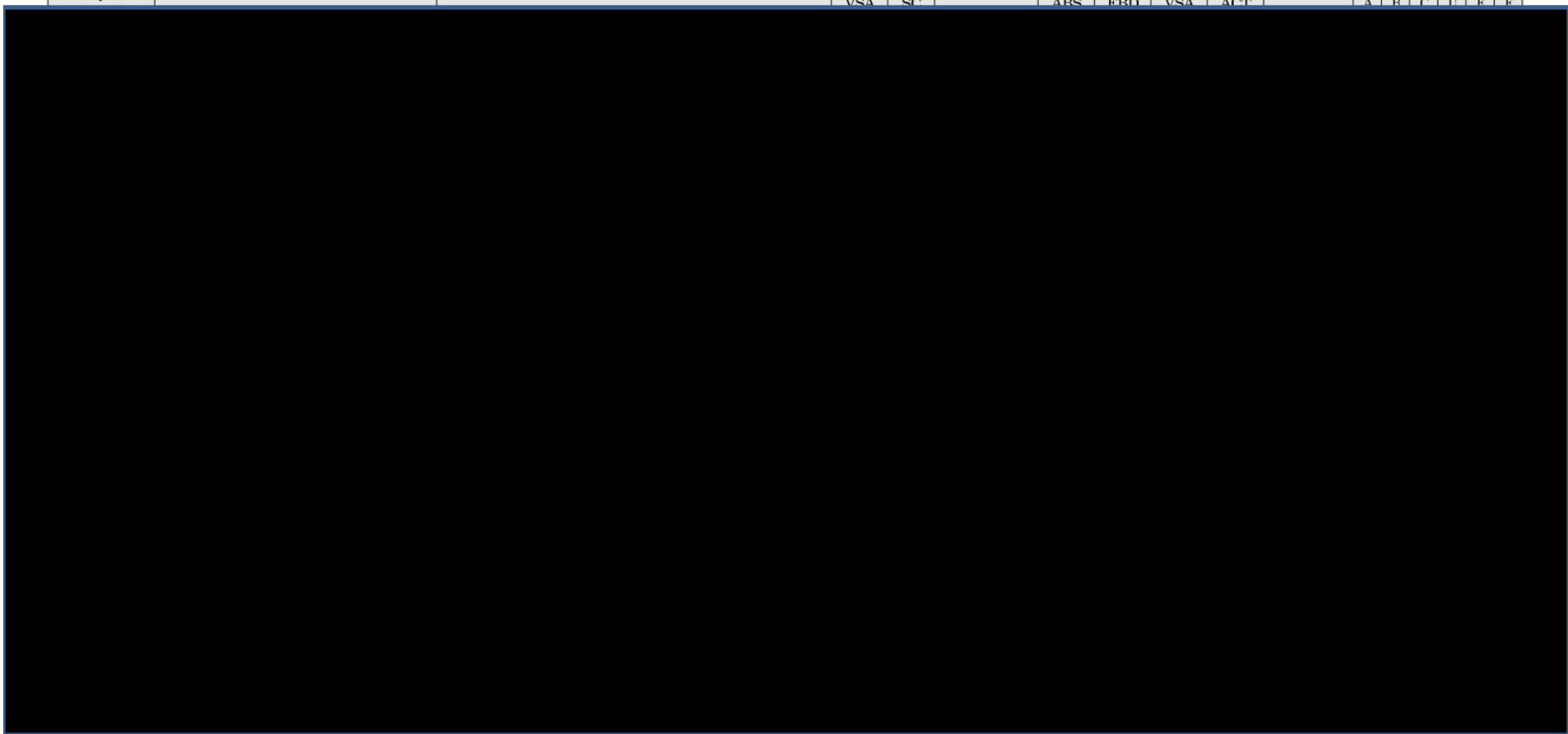


Q13d 6/14

MCU:マイコン/microcomputer PCU:入力用 IC/IC for input SC:センサクラス/sensor cluster

検出時期/detection timing (A : 初期 WL 点灯中/early WL lighting B : ABS/TCS/VSA 非制御中/out of ABS/TCS/VSA control C : ABS 制御中/ABS control
D : TCS 制御中/TCS control E : VSA 制御中/VSA control F : SCS/MES モード時/SCS/MES mode)

検出対象 Detection Object	検出モード Detection Mode	検出基準詳細 Detection Standard Description	検出 CPU Detection CPU		検出時の処理 Processing	WL				フェールコード* Failcode	検出時期 Detection Timing					
			VSA	SC		ABS	EBD	VSA	ACT		A	B	C	D	E	F

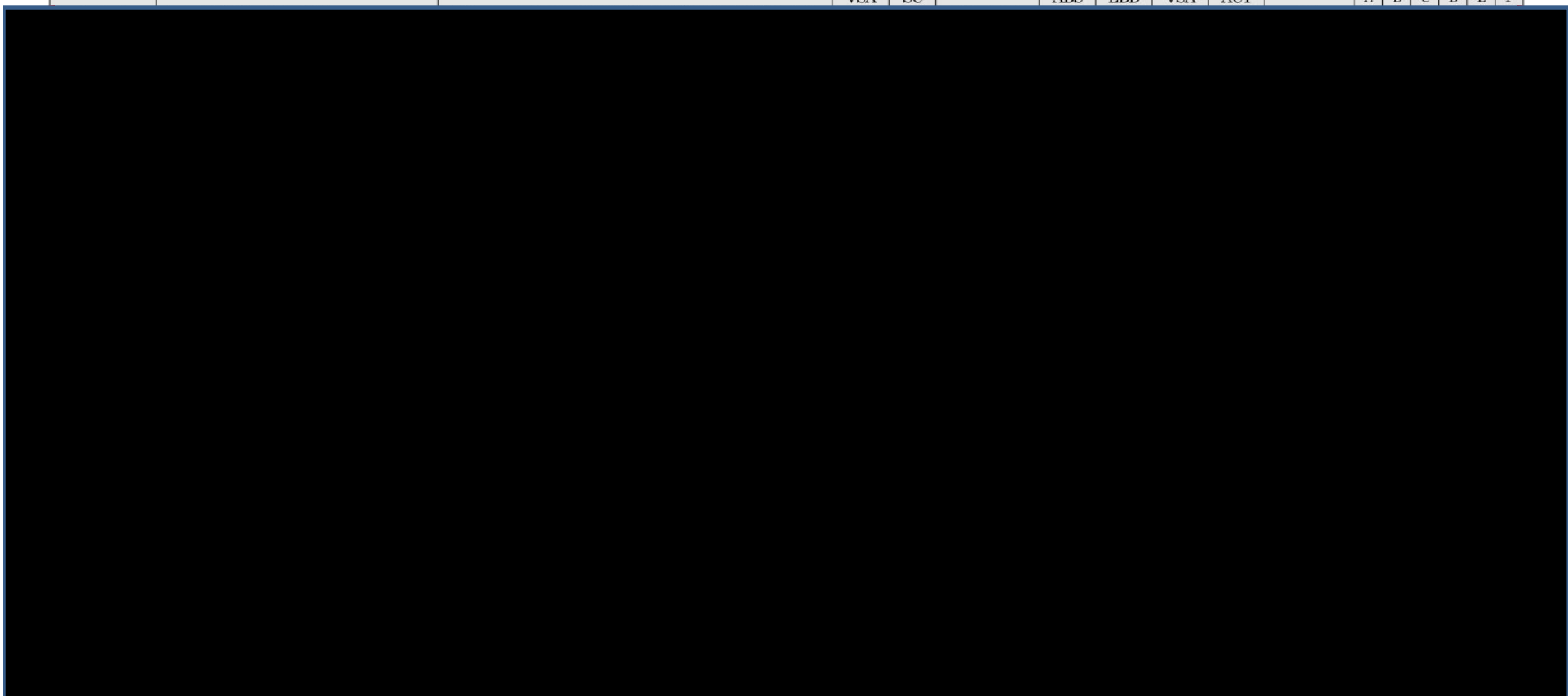


Q13d 7/14

MCU:マイコン/microcomputer PCU:入力用 IC/IC for input SC:センサクラス/sensor cluster

検出時期/detection timing (A : 初期 WL 点灯中/early WL lighting B : ABS/TCS/VSA 非制御中/out of ABS/TCS/VSA control C : ABS 制御中/ABS control
D : TCS 制御中/TCS control E : VSA 制御中/VSA control F : SCS/MES モード時/SCS/MES mode)

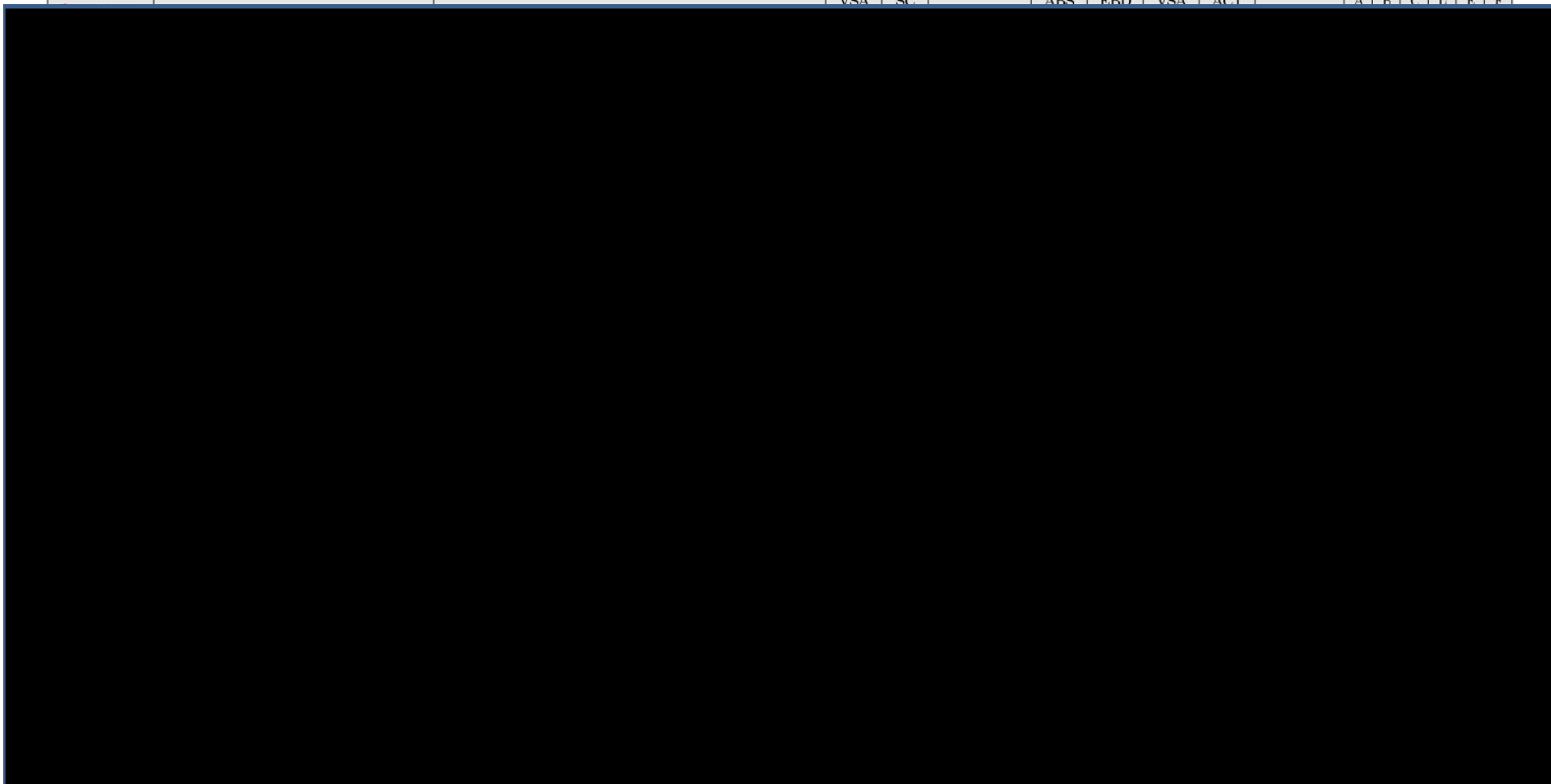
検出対象 Detection Object	検出モード Detection Mode	検出基準詳細 Detection Standard Description	検出 CPU Detection CPU		検出時の処理 Processing	WL				フェールコード* Failcode	検出時期 Detection Timing					
			VSA	SC		ABS	EBD	VSA	ACT		A	B	C	D	E	F



Q13d 8/14

MCU:マイコン/microcomputer PCU:入力用 IC/IC for input SC:センサクラス/sensor cluster
 検出時期/detection timing (A : 初期 WL 点灯中/early WL lighting B : ABS/TCS/VSA 非制御中/out of ABS/TCS/VSA control C : ABS 制御中/ABS control
 D : TCS 制御中/TCS control E : VSA 制御中/VSA control F : SCS/MES モード時/SCS/MES mode)

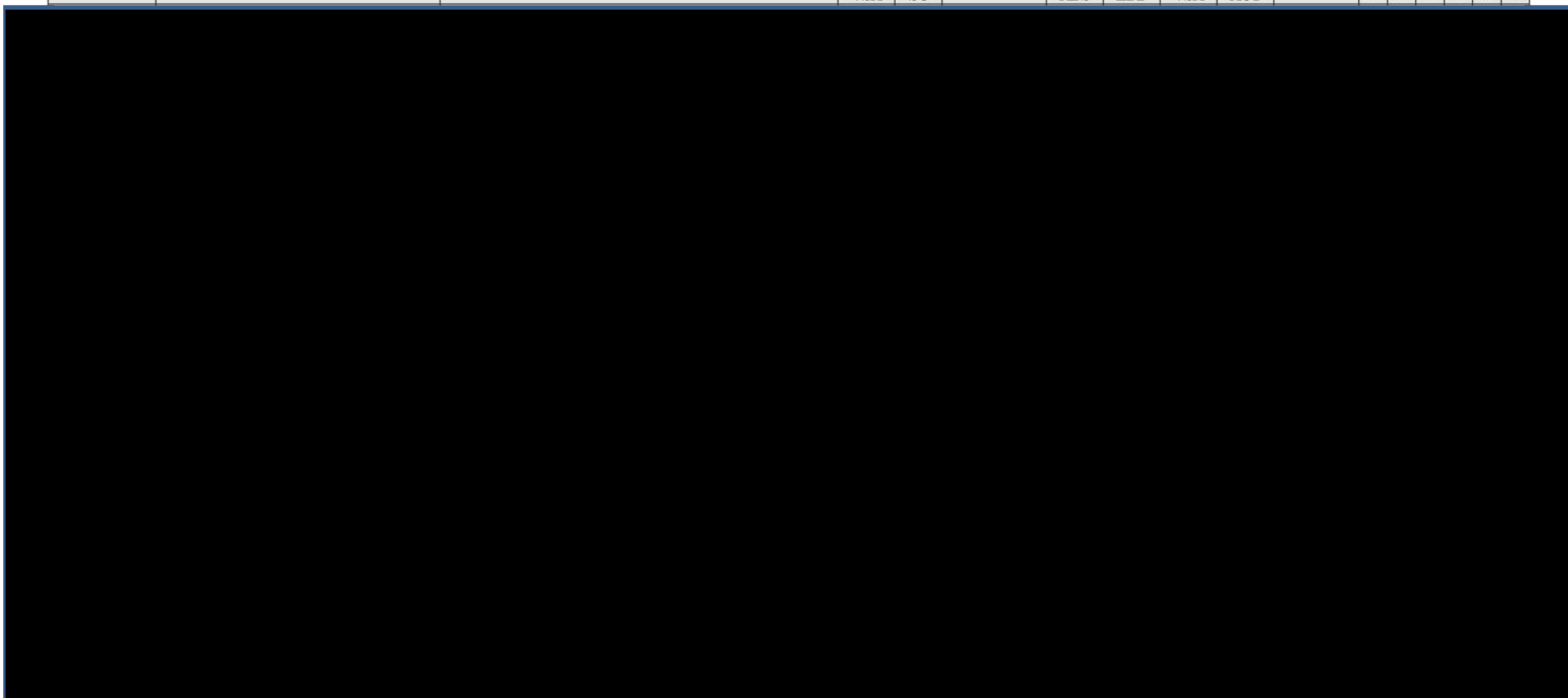
検出対象 Detection Object	検出モード Detection Mode	検出基準詳細 Detection Standard Description	検出 CPU Detection CPU		検出時の処理 Processing	WL				フェールコード* Failcode	検出時期 Detection Timing					
			VSA	SC		ABS	EBD	VSA	ACT		A	B	C	D	E	F



Q13d 9/14

MCU:マイコン/microcomputer PCU:入力用 IC/IC for input SC:センサクラス/sensor cluster
 検出時期/detection timing (A : 初期 WL 点灯中/early WL lighting B : ABS/TCS/VSA 非制御中/out of ABS/TCS/VSA control C : ABS 制御中/ABS control
 D : TCS 制御中/TCS control E : VSA 制御中/VSA control F : SCS/MES モード時/SCS/MES mode)

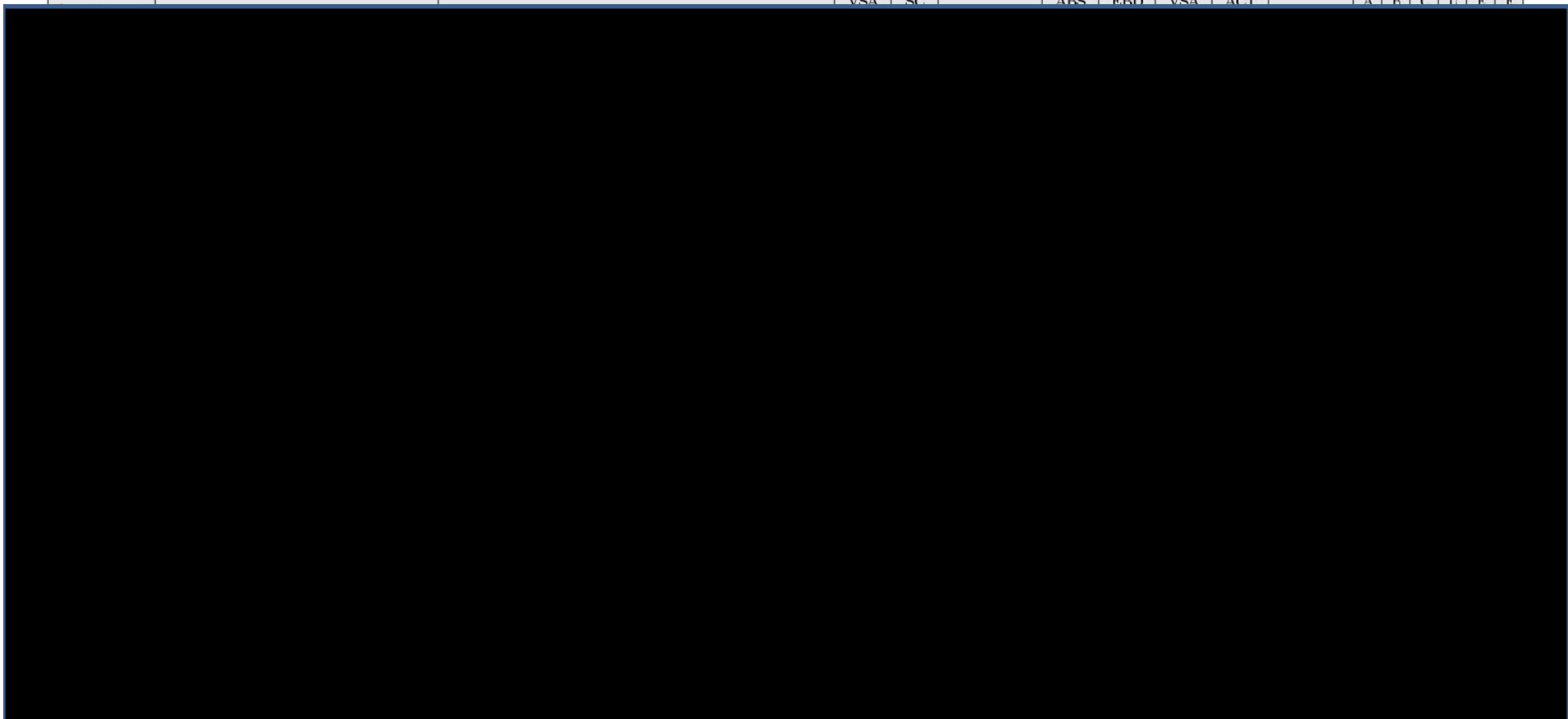
検出対象 Detection Object	検出モード Detection Mode	検出基準詳細 Detection Standard Description	検出 CPU		検出時の処理 Processing	WL				フェールコード Failcode	検出時期 Detection Timing					
			VSA	SC		ABS	EBD	VSA	ACT		A	B	C	D	E	F



Q13d 10/14

MCU:マイコン/microcomputer PCU:入力用 IC/IC for input SC:センサクラス/sensor cluster
 検出時期/detection timing (A:初期WL点灯中/early WL lighting B:ABS/TCS/VSA 非制御中/out of ABS/TCS/VSA control C:ABS 制御中/ABS control
 D:TCS 制御中/TCS control E:VSA 制御中/VSA control F:SCS/MESモード時/SCS/MES mode)

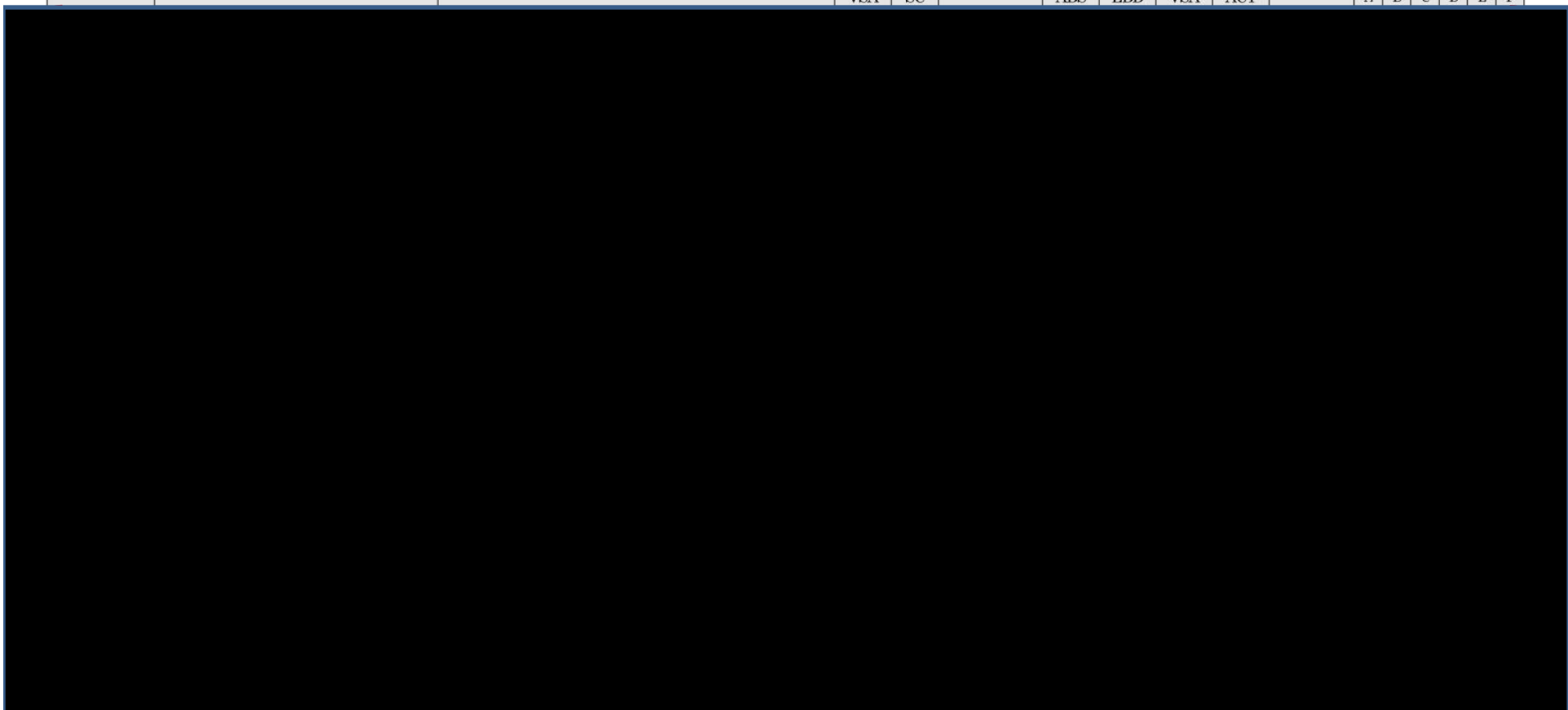
検出対象 Detection Object	検出モード Detection Mode	検出基準詳細 Detection Standard Description	検出 CPU Detection CPU		検出時の処理 Processing	WL				フェールコード* Failcode	検出時期 Detection Timing					
			VSA	SC		ABS	ERD	VSA	ACT		A	B	C	D	E	F



Q13d 11/14

MCU:マイコン/microcomputer PCU:入力用IC/IC for input SC:センサクラス/sensor cluster
 検出時期/detection timing (A:初期WL点灯中/early WL lighting B:ABS/TCS/VSA 非制御中/out of ABS/TCS/VSA control C:ABS 制御中/ABS control
 D:TCS 制御中/TCS control E:VSA 制御中/VSA control F:SCS/MESモード時/SCS/MES mode)

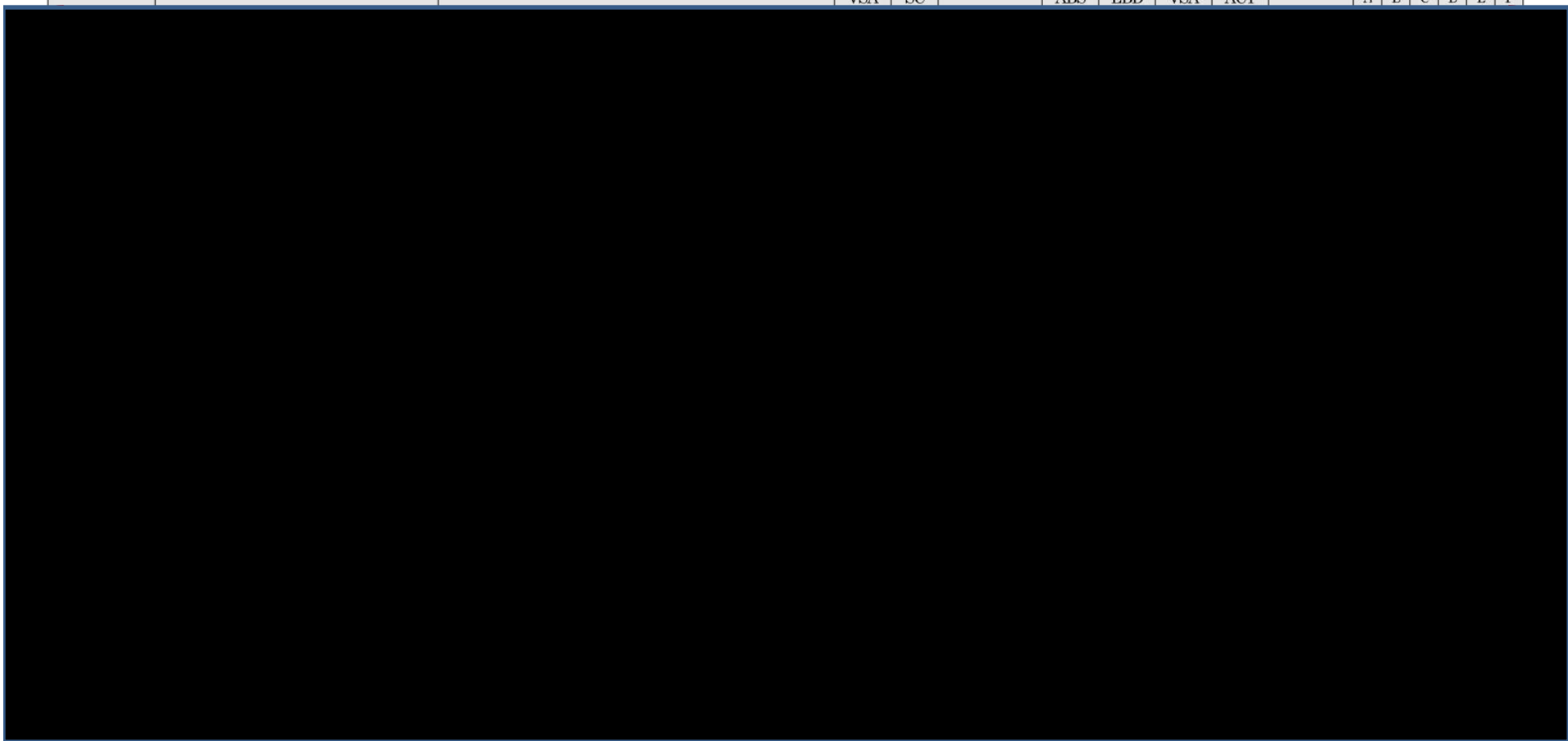
検出対象 Detection Object	検出モード Detection Mode	検出基準詳細 Detection Standard Description	検出 CPU Detection CPU		検出時の処理 Processing	WL				フェールコード* Failcode	検出時期 Detection Timing					
			VSA	SC		ABS	EBD	VSA	ACT		A	B	C	D	E	F



Q13d 12/14

MCU:マイコン/microcomputer PCU:入力用 IC/IC for input SC:センサクラス/sensor cluster
 検出時期/detection timing (A:初期WL点灯中/early WL lighting B:ABS/TCS/VSA 非制御中/out of ABS/TCS/VSA control C:ABS 制御中/ABS control
 D:TCS 制御中/TCS control E:VSA 制御中/VSA control F:SCS/MES モード時/SCS/MES mode)

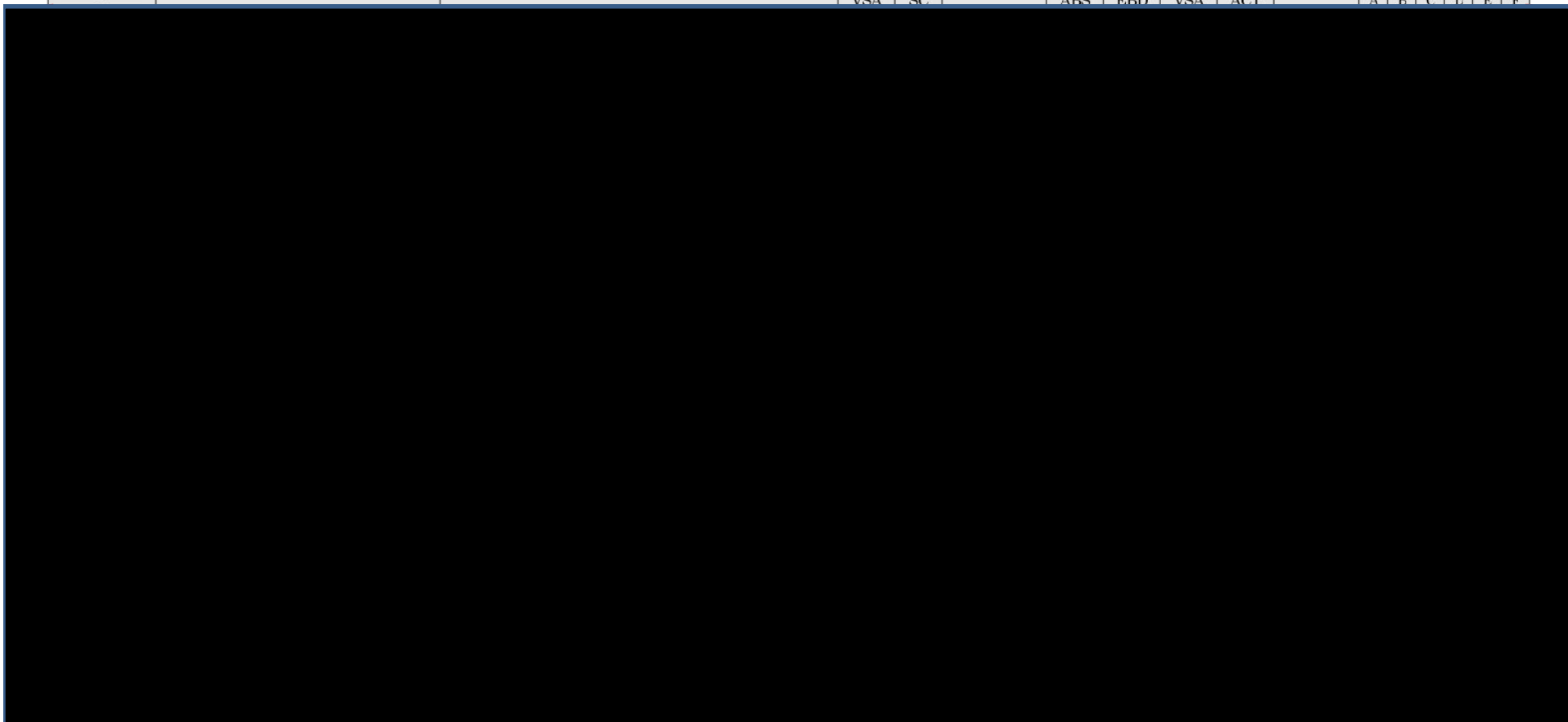
検出対象 Detection Object	検出モード Detection Mode	検出基準詳細 Detection Standard Description	検出 CPU Detection CPU		検出時の処理 Processing	WL				フェールコード* Failcode	検出時期 Detection Timing					
			VSA	SC		ABS	EBD	VSA	ACT		A	B	C	D	E	F



Q13d 13/14

MCU:マイコン/microcomputer PCU:入力用IC/IC for input SC:センサクラス/sensor cluster
 検出時期/detection timing (A:初期WL点灯中/early WL lighting B:ABS/TCS/VSA 非制御中/out of ABS/TCS/VSA control C:ABS 制御中/ABS control
 D:TCS 制御中/TCS control E:VSA 制御中/VSA control F:SCS/MESモード時/SCS/MES mode)

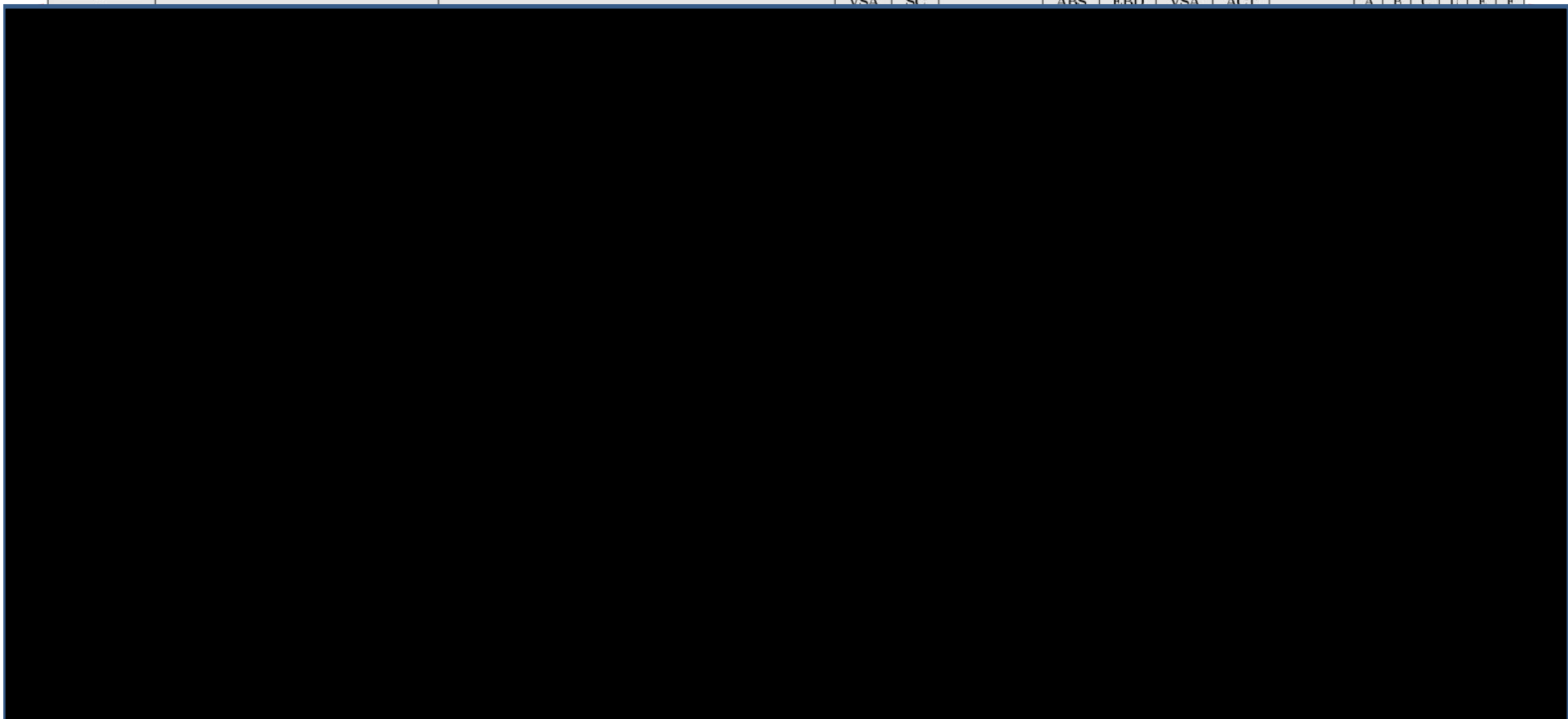
検出対象 Detection Object	検出モード Detection Mode	検出基準詳細 Detection Standard Description	検出 CPU Detection CPU		検出時の処理 Processing	WL				フェールコード Failcode	検出時期 Detection Timing					
			VSA	SC		ABS	EBD	VSA	ACT		A	B	C	D	E	F



Q13d 14/14

MCU:マイコン/microcomputer PCU:入力用IC/IC for input SC:センサクラス/sensor cluster
 検出時期/detection timing (A:初期WL点灯中/early WL lighting B:ABS/TCS/VSA 非制御中/out of ABS/TCS/VSA control C:ABS 制御中/ABS control
 D:TCS 制御中/TCS control E:VSA 制御中/VSA control F:SCS/MESモード時/SCS/MES mode)

検出対象 Detection Object	検出モード Detection Mode	検出基準詳細 Detection Standard Description	検出 CPU Detection CPU		検出時の処理 Processing	WL				フェールコード* Failcode	検出時期 Detection Timing					
			VSA	SC		ABS	EBD	VSA	ACT		A	B	C	D	E	F



PE13-024

HONDA

9/6/2013

Attachment #Q13f

Attachment #Q13f

Q13f

Change History

Part	Model Year					
	2005	2006	2007	2008	2009	2010
			During 07,08 model mass-production, there was no design change.			
MODULATOR ASSY, VSA	57110SHJ9620M1	←	57110SHJ9640M1	←	57110SHJA611M1	←
	H/W Mass-production start spec	←	←	←	←	←
	S/W Mass-production start spec	←	Software change 1: Self check logic change (abnormal noise C/M) <i>Refer to Q10 response</i>	←	Software change 2: Self check logic change (Air intrusion prevention) <i>Refer to Q10 response</i>	←
SENSOR ASSY, STRG	35251SHJA610M1	←	←	←	←	←
SENSOR ASSY, CLUST	39960SHJA010M1	←	←	←	←	←
FRONT WHEEL SPEED SENSOR	57450SHJA010M1 57455SHJA010M1	←	57450SHJA021M1 57455SHJA021M1 (AMR →Hall effect sensor) Toughness up for assembly variation	←	←	←
REAR WHEEL SPEED SENSOR	57470SHJA011M1 57475SHJA011M1	57470SHJA020M1 57475SHJA020M1 Change sensor head shape for assembly	57470SHJA050M1 57475SHJA050M1 (AMR →Hall effect sensor) Toughness up for assembly variation	←	←	←

PE13-024

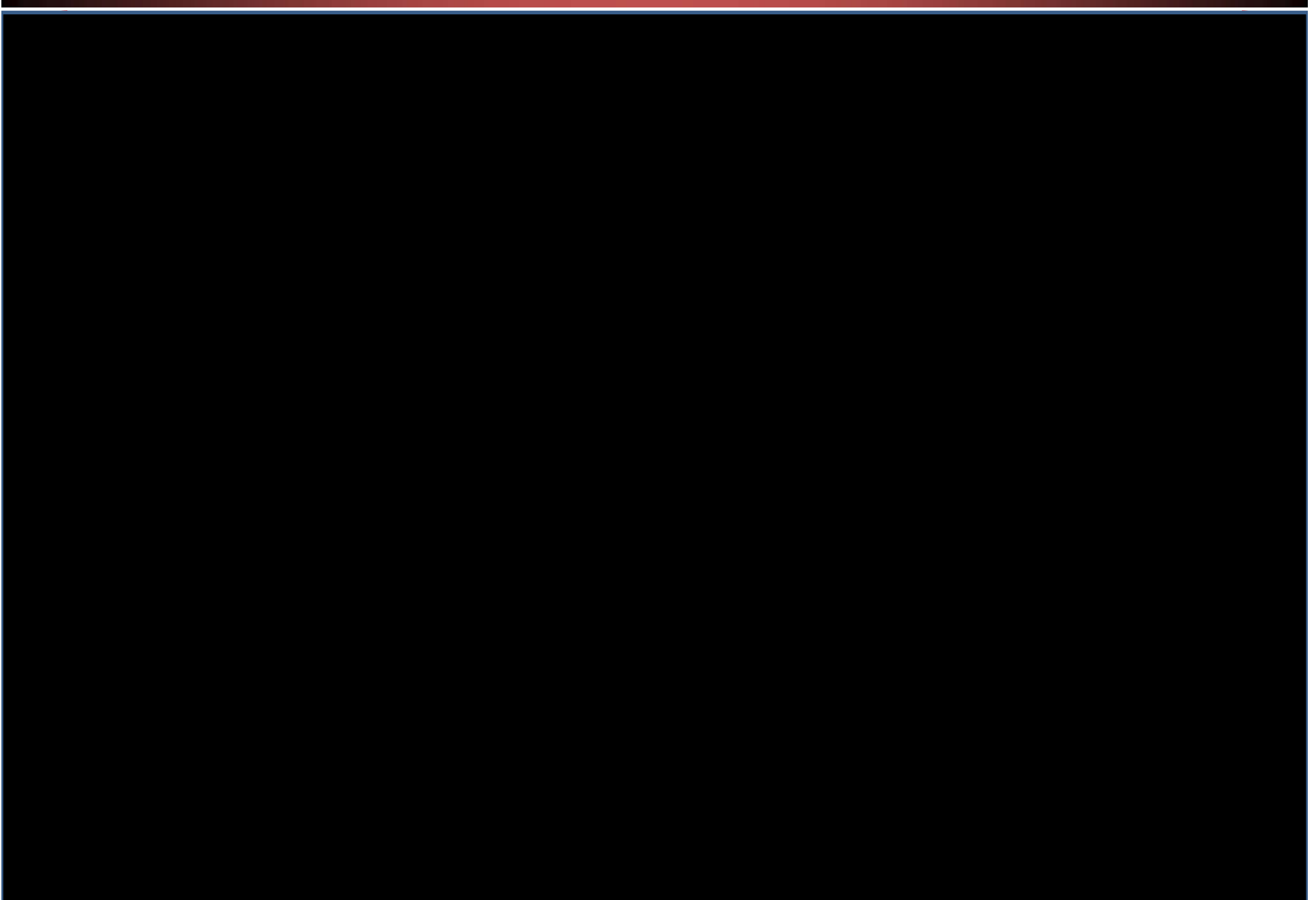
HONDA

9/6/2013

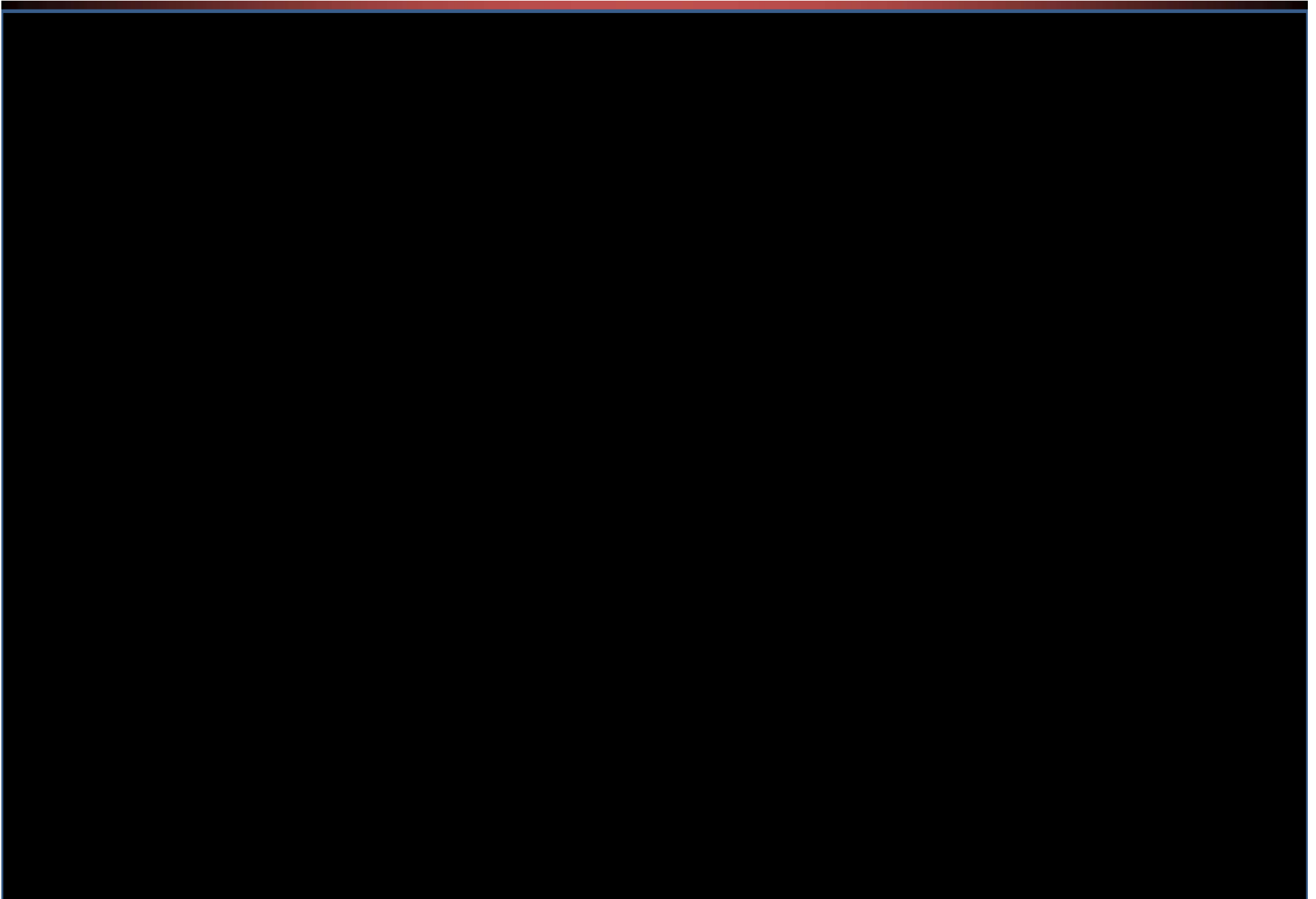
Attachment #Q14b

REDACTED

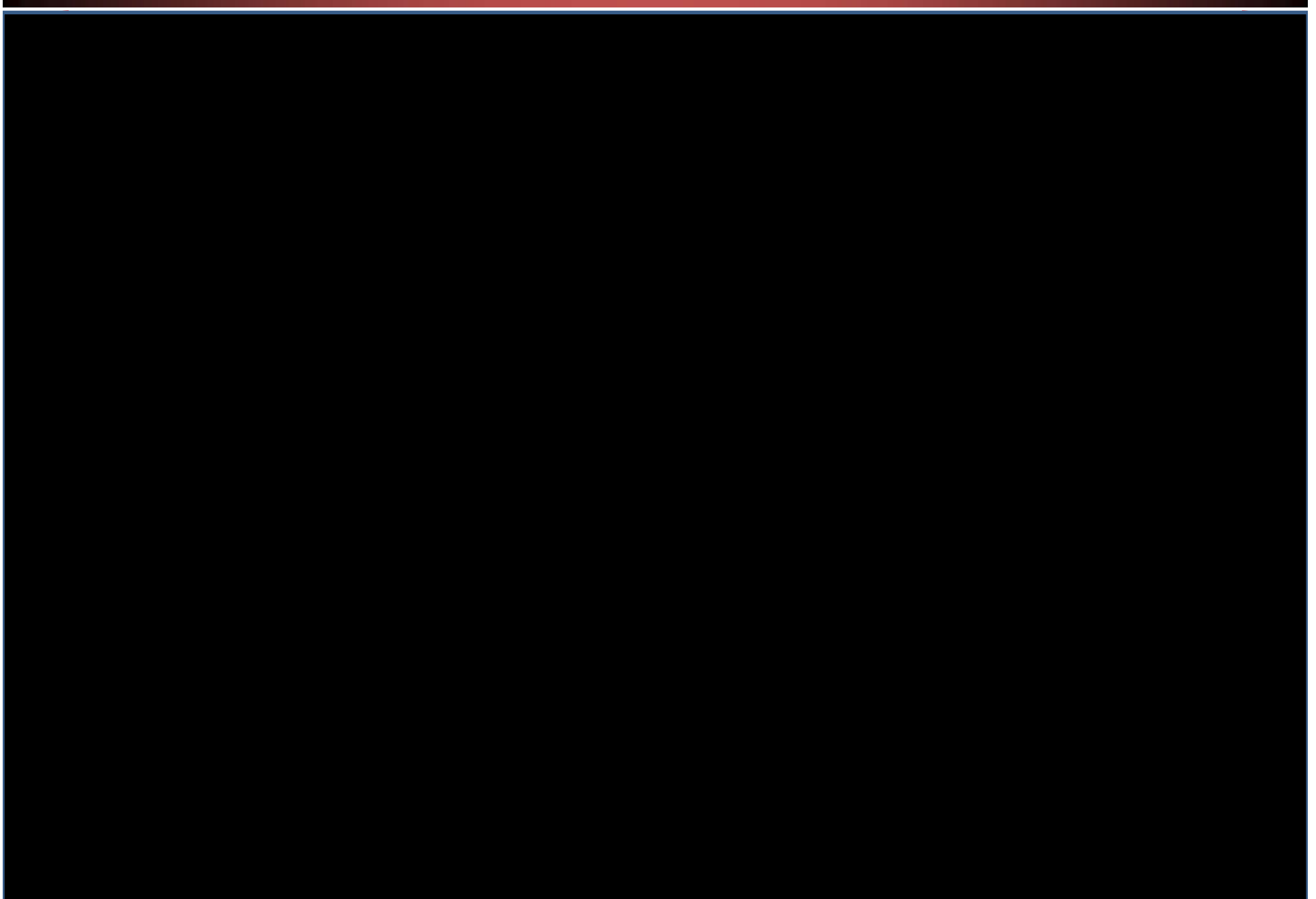
Q14b-1



Q14b-2



Q14b-3



PE13-024

HONDA

9/6/2013

Attachment #Q14c

REDACTED

Q14c

