

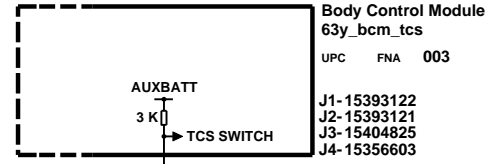
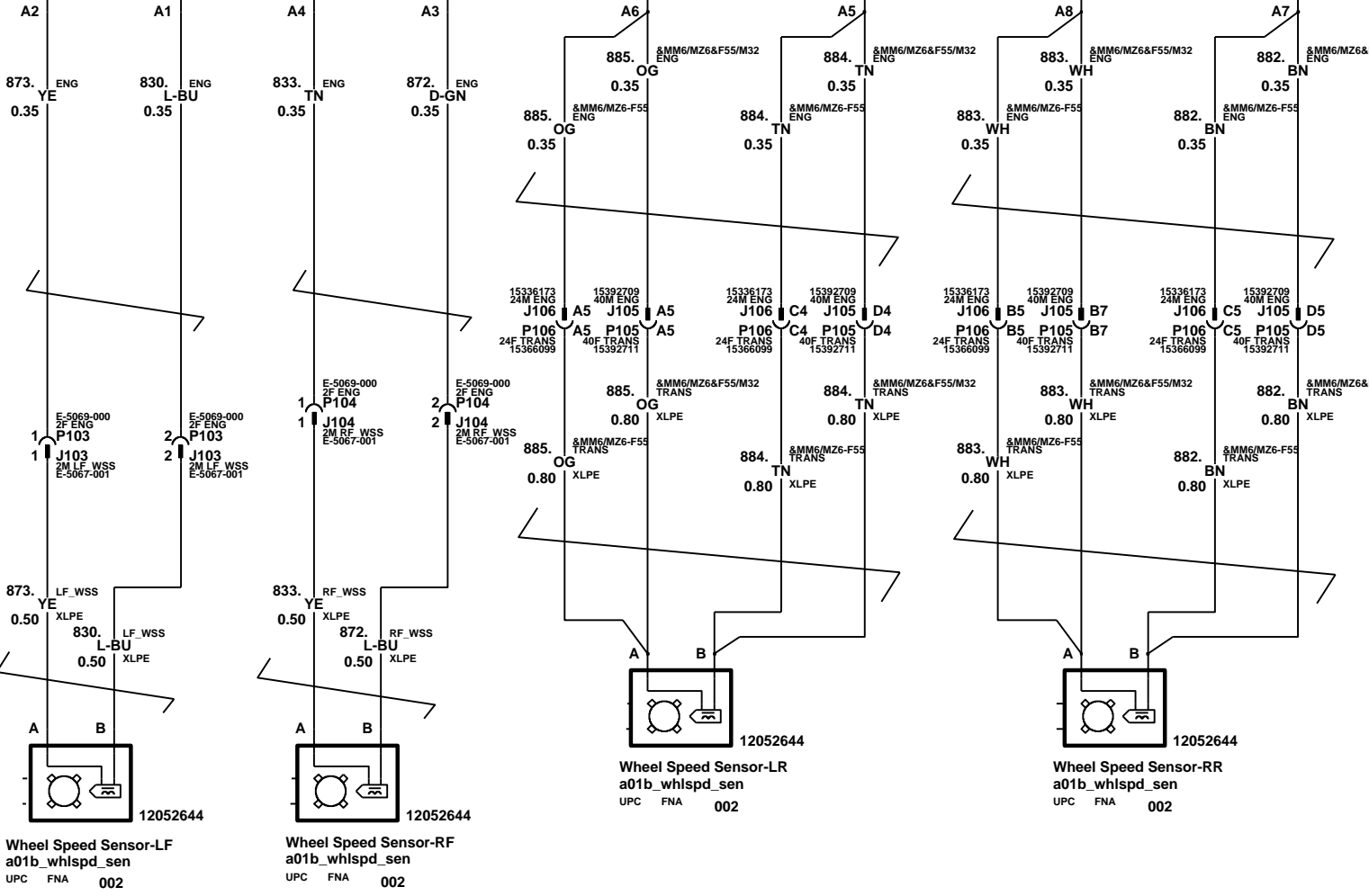
15410622

# ABS MODULE

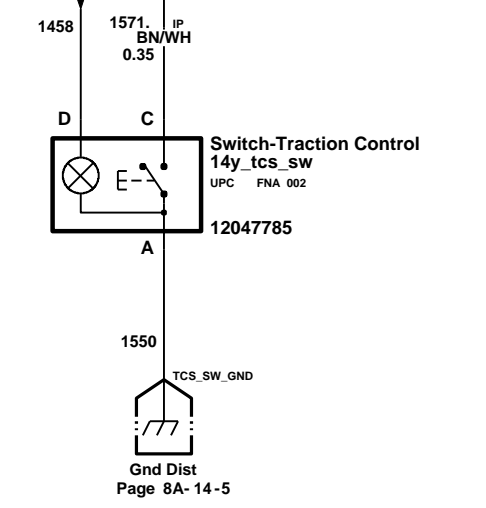
Abs/Tcs Module  
14y\_abs\_md12 001  
UPC FNA

15410622

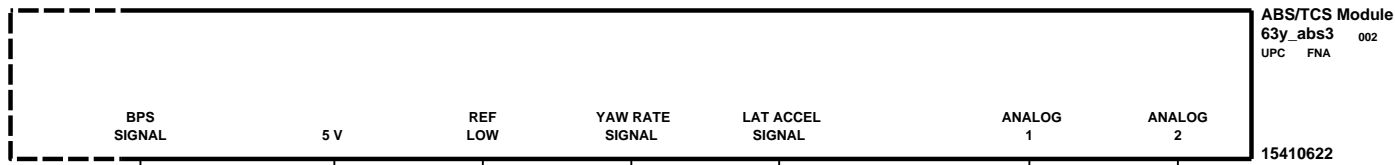
LF WHL SPD LO    LF WHL SPD HI    RF WHL SPD LO    RF WHL SPD HI    LR WHL SPD LO    LR WHL SPD HI    RR WHL SPD LO    RR WHL SPD HI



TCS\_SW\_DIM\_PWR  
Dimming Controls  
HVAC Head  
Page 8A-117-2

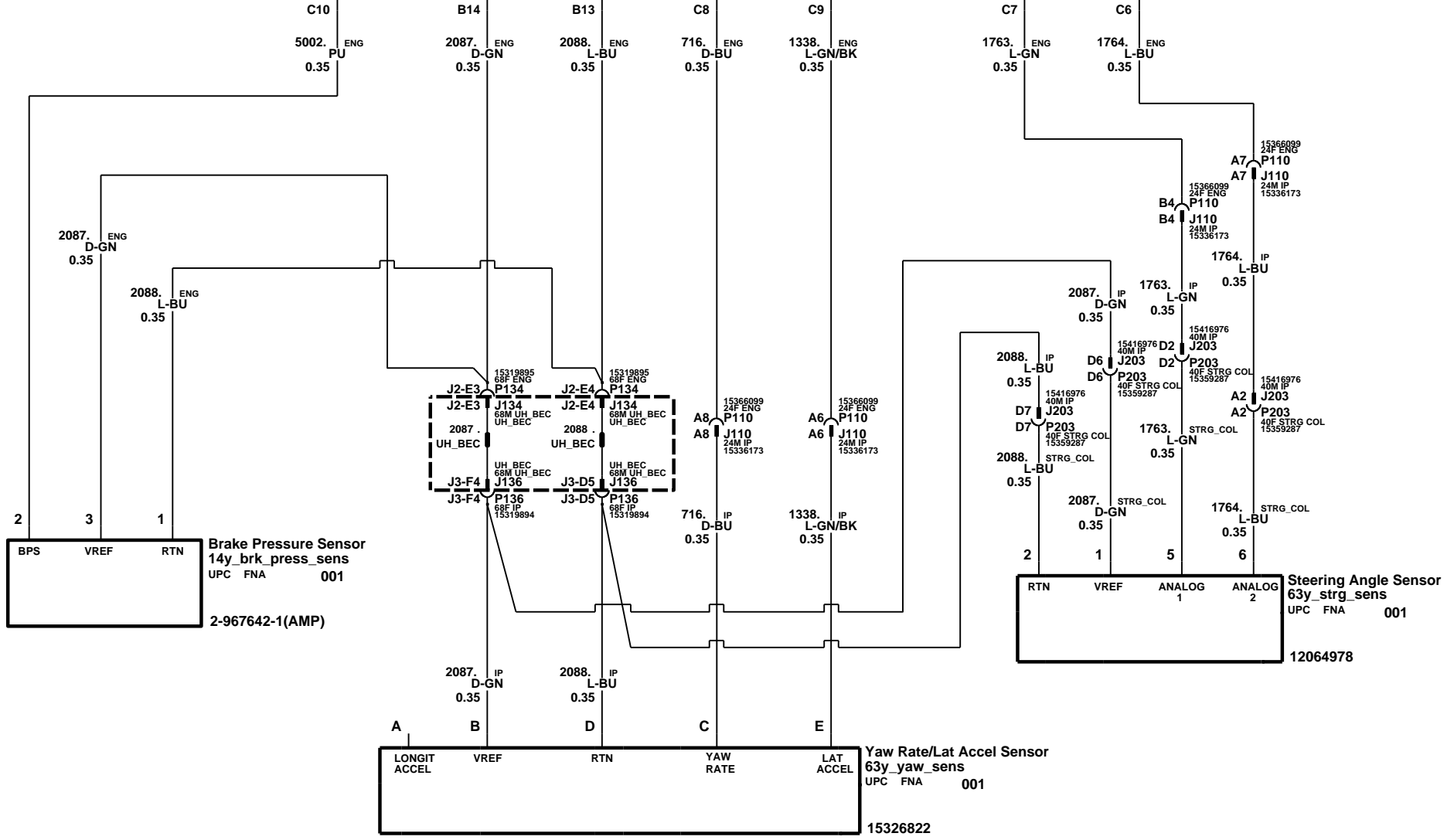


**NOTE: EXTRA FLEX CABLE IS REQUIRED FOR ALL WIRES ATTACHING TO THE WHEEL SPEED SENSORS**



ABS/TCS Module  
63y\_abs3 002  
UPC FNA

15410622



**Brake Pressure Sensor**  
14y\_brk\_press\_sens  
UPC FNA 001  
2-967642-1(AMP)

**Steering Angle Sensor**  
63y\_strg\_sens  
UPC FNA 001  
12064978

**Yaw Rate/Lat Accel Sensor**  
63y\_yaw\_sens  
UPC FNA 001  
15326822