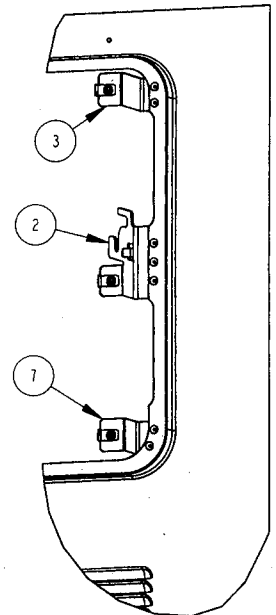
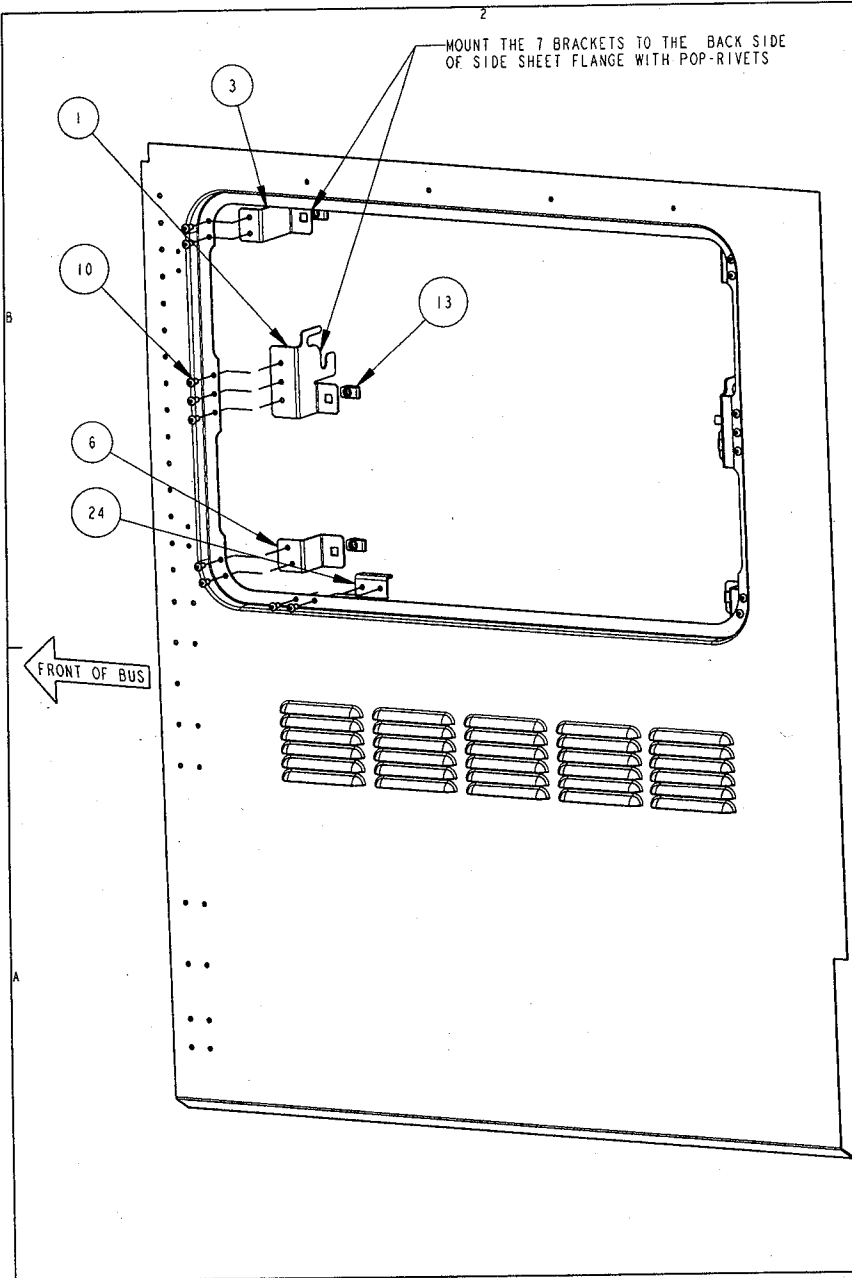


PE07-029

Attachment 33

PC Board Assembly



ITEM	QUANTITY	PART NUMBER	DESCRIPTION
1	1	52005451	SUPPORT HINGE
2	1	133960	SUPPORT HINGE
3	2	52005448	SUPPORT LOCK DOWN
4	1	64009872	DOOR ASSEMBLY, ACCESS
5	1	52005375	MOUNTING BRACKET, CIRCUIT BOARD
6	1	52005453	SUPPORT LOCK DOWN
7	1	52005454	SUPPORT LOCK DOWN
8	1	52005455	COMPONENT MOUNTING BRACKET
9	2	52004778	PRINTED CIRCUIT BOARD ASSEMBLY 1
10	18	69005060	RIVET-3/16 DIA. BREAK MANDREL
11	1	52001195	SWITCH- TOGGLE, 15 AMP
12	2	61500709	PUSH MOUNT, NYLON
13	6	61371373	CLIP NUT, 1/4-20
14	6	27157728	1/4-20 x 5/8
15	4	69003276	SCREW, TAPPING NO. 10
16	1	52003438	RELAY BLOCK, 1 POSITION
17	1	52005261	SAFETY FLASHER
18	4	69003091	SCREW, TAPPING NO. 10
19	4	27161739	SCREW -TAPPING, 14 X 1 1/2
20	4	67000298	RUBBER SCREW CAP, 1/4
21	1	65011678	VALVE AND REGULATOR ASM
22	1	65011679	VALVE AND REGULATOR ASM
23	1	65011165	AIR REGULATOR
24	1	67000746	DOOR STOP LANYARD MOUNTING BRACKET
25	1	67000136	ELECTRICAL ACCESS DOOR STOP LANYARD
26	1	52006271	INTERIOR LIGHT W/SWITCH
27	4	29900018	MACHINE SCREW CHART, #10-24 X L.
28	4	27120361	NUT - #10-24, HEX
29	2	134172	PC BOARD COVER
30	4	134173	THUMB NUT, 10-24 THREAD.

- NOTES:
 1) MATERIAL: N/A
 2) BLANK: N/A
 3) CALCULATED WEIGHT: N/A
 4) BURRS: N/A
 5) FINISH: N/A
 6) COLOR: N/A
 7) BENDS: N/A
 8) WELDS: N/A
 9) REFERENCE: N/A

E 1) ADDED SHEET 4.
 2) QTY WAS 8.
 3) ADDED NEW PART (QTY 4)
 4) ADDED NEW PART (FOR REFERENCE)
 5) ADDED VIEW DETAILS ON SHEET 3.
 REV D ECR.1866-1

11/21/06	CLB	MIG
ECR 2897-II	JAG	
DATE	BY	CF

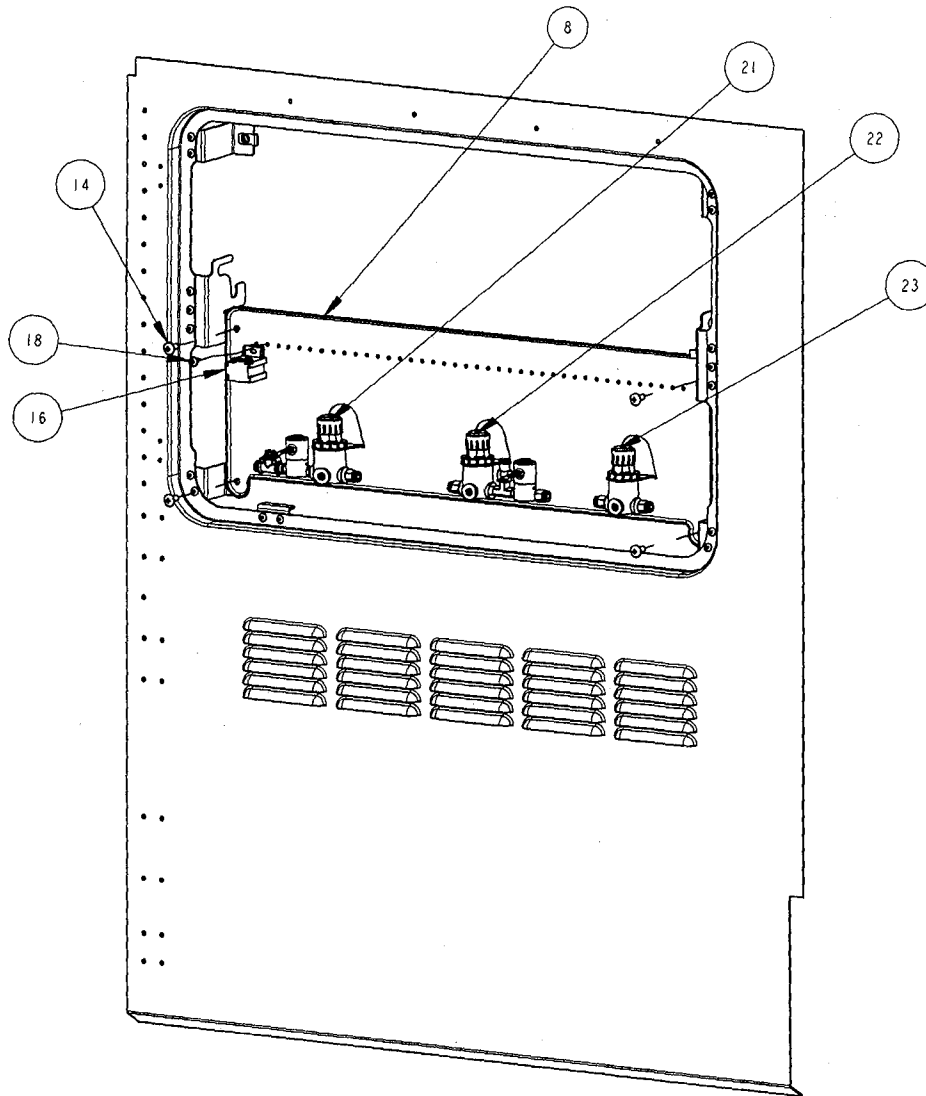
THOMAS BUILT BUSES, INC.
 HIGH POINT, NC
 TOLERANCE UNLESS OTHERWISE NOTED

THIRD ANGLE PROJECTION	DECIMAL ±	FRACTIONAL	ANGULAR
	.xxx .015	±1/32	±1°
	.xx .06		
	.x .1		

ELECTRICAL ACCESS PANEL
 HDX & EF

DRN.12/12/02	RCM	MATERIAL: SEE NOTE #1	15
CK'D.	CAM	SIZE	DWG. NO. SHEET 1 OF 6
ENGR/DESIGNER		B	52006276
0.180			

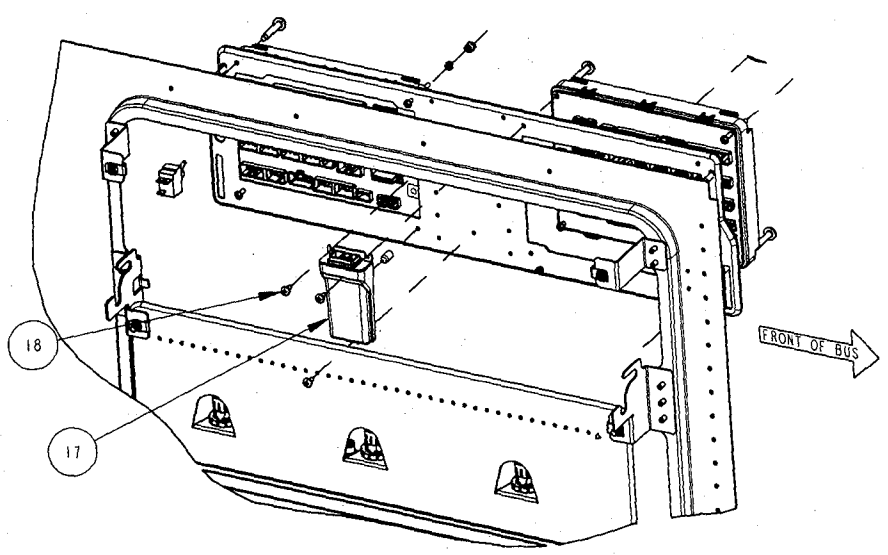
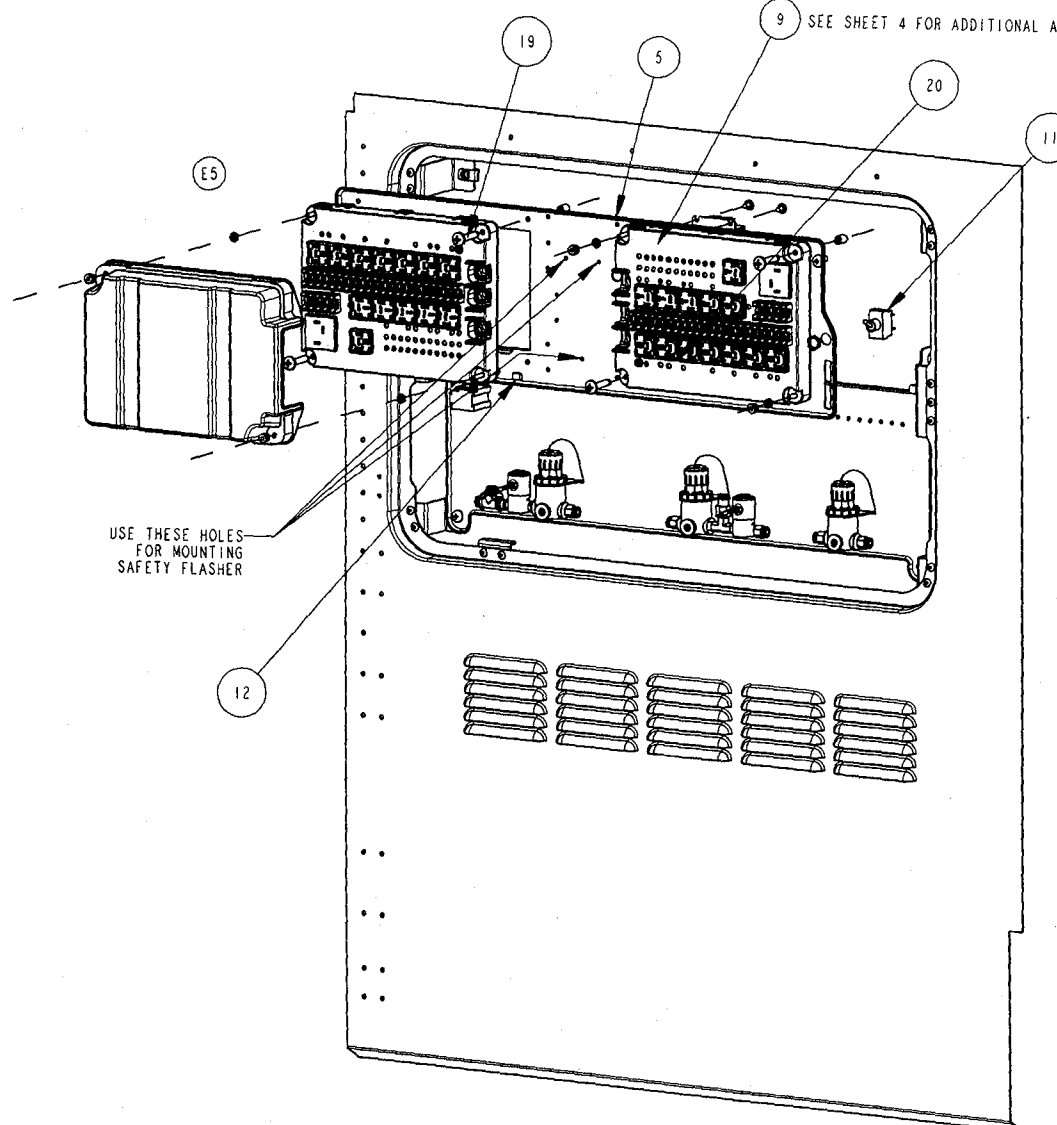
THIS DRAWING AND ALL INFORMATION PROVIDED WITH IT, IS THE PROPERTY OF THOMAS BUILT BUSES, INC. ANY REPRODUCTION OR DISTRIBUTION OF THIS MATERIAL OR ANY PART WITHOUT WRITTEN PERMISSION OF THOMAS BUILT BUSES, INC. IS STRICTLY PROHIBITED. COPYRIGHT © 1997 THOMAS BUILT BUSES, INC.



E		1) ADDED SHEET 4. 2) QTY WAS 8. 3) ADDED NEW PART (QTY 4) 4) ADDED NEW PART (FOR REFERENCE) 5) ADDED VIEW DETAILS ON SHEET 3. **REV D ECR_1866-1**		11/21/06	CLB	MIG
LET	REVISION	DATE	BY	CF		
THOMAS BUILT BUSES, INC.						
HIGH POINT, NC						
TOLERANCE UNLESS OTHERWISE NOTED						
THIRD ANGLE PROJECTION	DECIMAL ± .XXX .015 .XX .06 .X .1	FRACTIONAL ±1/32	ANGULAR ±1°			
ELECTRICAL ACCESS PANEL HDX & EF						
DRN. 12/12/02	RCM	MATERIAL: SEE NOTE #1				TH
CK'D.	CAM	SIZE	DWG. NO. SHEET 2 OF 6			
ENGR/DESIGNER		B	52006276			
Q.180						

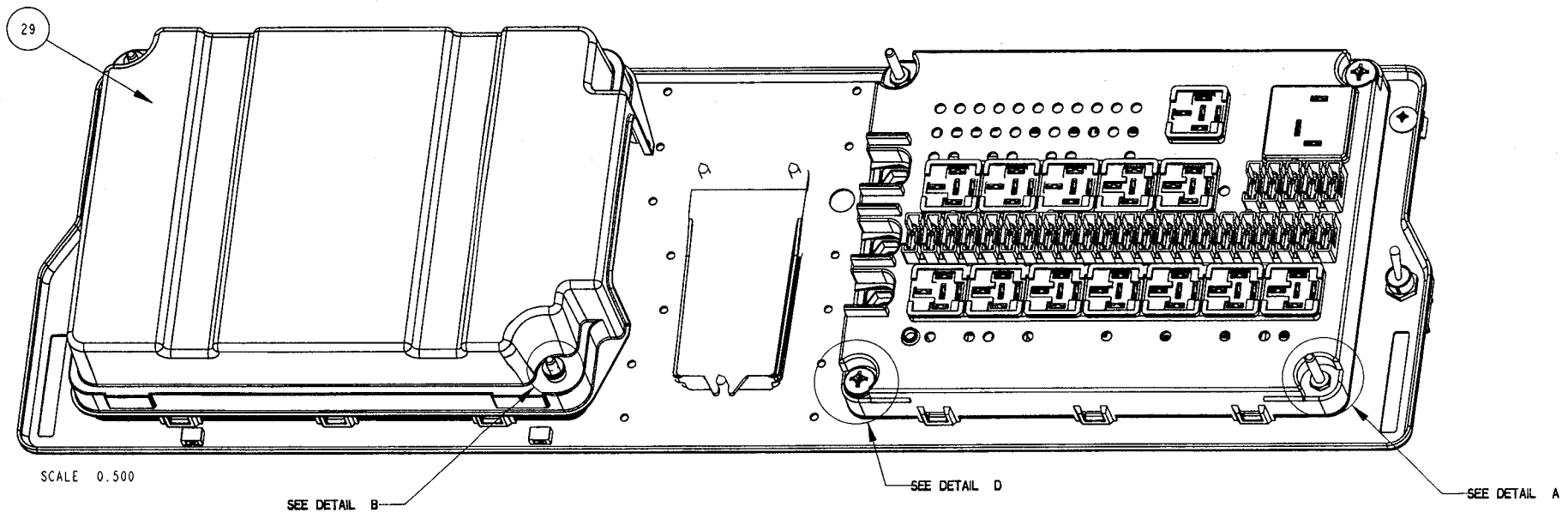
THIS DRAWING AND ALL INFORMATION PROVIDED WITH IT,
IS THE PROPERTY OF THOMAS BUILT BUSES, INC.
ANY REPRODUCTION OR DISTRIBUTION OF THIS
MATERIAL OR ANY PART WITHOUT WRITTEN PERMISSION
OF THOMAS BUILT BUSES, INC. IS STRICTLY PROHIBITED.
COPYRIGHT © 1997 THOMAS BUILT BUSES, INC.

9 SEE SHEET 4 FOR ADDITIONAL ATTACHMENT DETAILS.



E		1) ADDED SHEET 4. 2) QTY WAS 8. 3) ADDED NEW PART (QTY 4) 4) ADDED NEW PART (FOR REFERENCE) 5) ADDED VIEW DETAILS ON SHEET 3. **REV D ECR-1866-1**		11/21/06	CLB	MIG
LET	REVISION	DATE	BY	CF	ECR 2897-JAG	
THOMAS BUILT BUSES, INC. HIGH POINT, NC TOLERANCE UNLESS OTHERWISE NOTED						
THIRD ANGLE PROJECTION	DECIMAL ± .XXX .015 .XX .06 .X .1	FRACTIONAL ±1/32	ANGULAR ±1°			
ELECTRICAL ACCESS PANEL HDX & EF						
DRN. 12/12/02	RCM	MATERIAL: SEE NOTE #1		TH		
CK'D.	CAM	SIZE	DWG. NO. SHEET 3 OF 6			
ENGR/DESIGNER	B		52006276			
0.180						

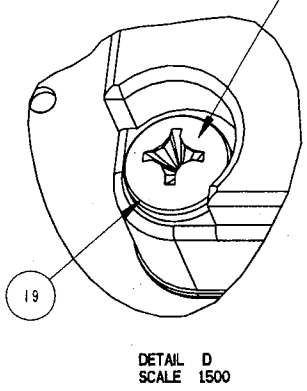
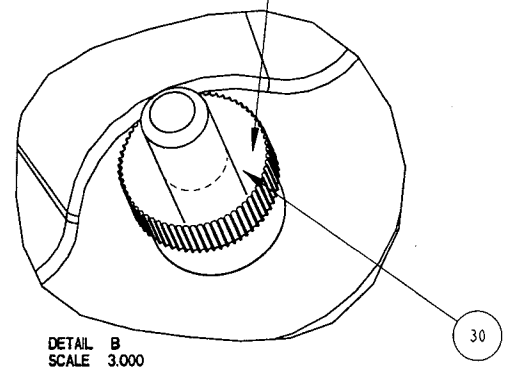
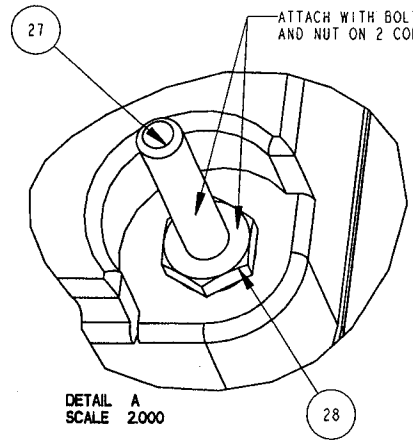
THIS DRAWING AND ALL INFORMATION PROVIDED WITH IT, IS THE PROPERTY OF THOMAS BUILT BUSES, INC. ANY REPRODUCTION OR DISTRIBUTION OF THIS MATERIAL OR ANY PART WITHOUT WRITTEN PERMISSION OF THOMAS BUILT BUSES, INC. IS STRICTLY PROHIBITED. COPYRIGHT © 1997 THOMAS BUILT BUSES, INC.



COVER HELD IN PLACE WITH PLASTIC THUMB-NUT.

ATTACH WITH BOLT FROM BACK SIDE AND NUT ON 2 CORNERS SHOWN OF EACH BOARD.

FASTEN REMAINING TWO CORNERS OF EACH BOARD AS SHOWN.



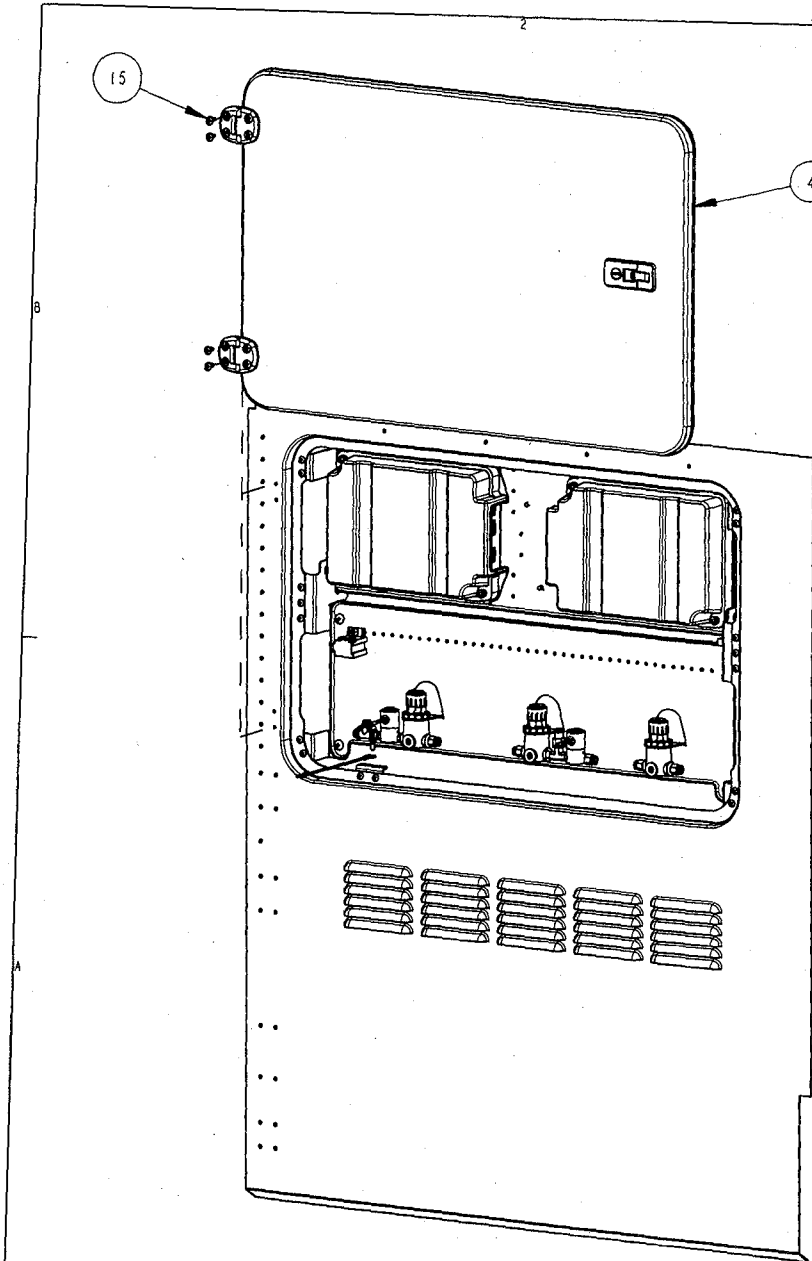
E	1) ADDED SHEET 4. 2) QTY WAS 8. 3) ADDED NEW PART (QTY 4) 4) ADDED NEW PART (FOR REFERENCE) 5) ADDED VIEW DETAILS ON SHEET 3. **REV D ECR-1866-1**	11/21/06	CLB	MIG
LET	REVISION	DATE	BY	CF

THOMAS BUILT BUSES, INC.			
HIGH POINT, NC			
TOLERANCE UNLESS OTHERWISE NOTED			
THIRD ANGLE PROJECTION	DECIMAL ± .xxx .015 .xx .06 .x .1	FRACTIONAL ± 1/32	ANGULAR ±1°

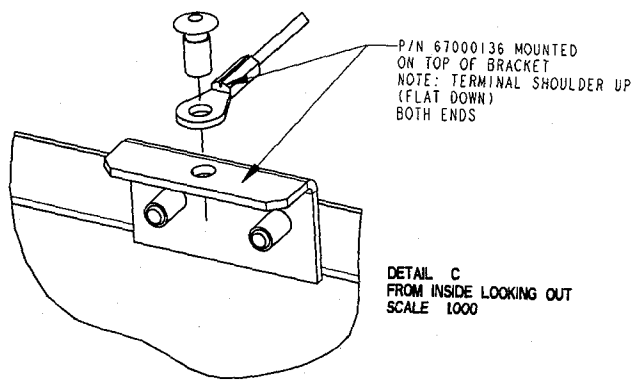
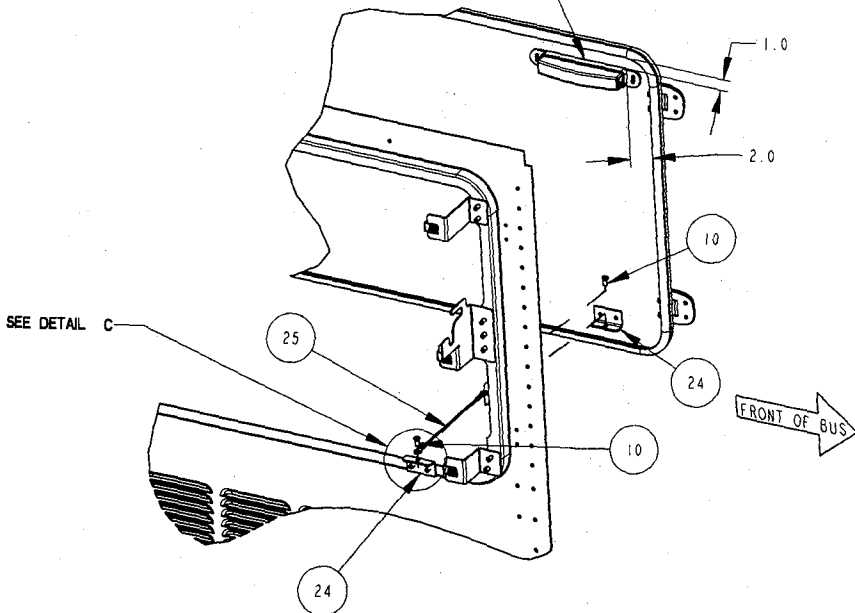
ELECTRICAL ACCESS PANEL
HDX & EF

DRN. 12/12/02	RCM	MATERIAL: SEE NOTE #1	TH
CK'D.	CAM	SIZE B	DWG. NO. SHEET 4 OF 6
ENGR/DESIGNER			52006276
0.180			

THIS DRAWING AND ALL INFORMATION PROVIDED WITH IT, IS THE PROPERTY OF THOMAS BUILT BUSES, INC. ANY REPRODUCTION OR DISTRIBUTION OF THIS MATERIAL OR ANY PART WITHOUT WRITTEN PERMISSION OF THOMAS BUILT BUSES, INC. IS STRICTLY PROHIBITED. COPYRIGHT © 1997 THOMAS BUILT BUSES, INC.



OPTION B3072-02-000 INTERIOR LIGHT W/SWITCH
MOUNTS WITH LIGHT SWITCH DOWN
IN THIS LOCATION

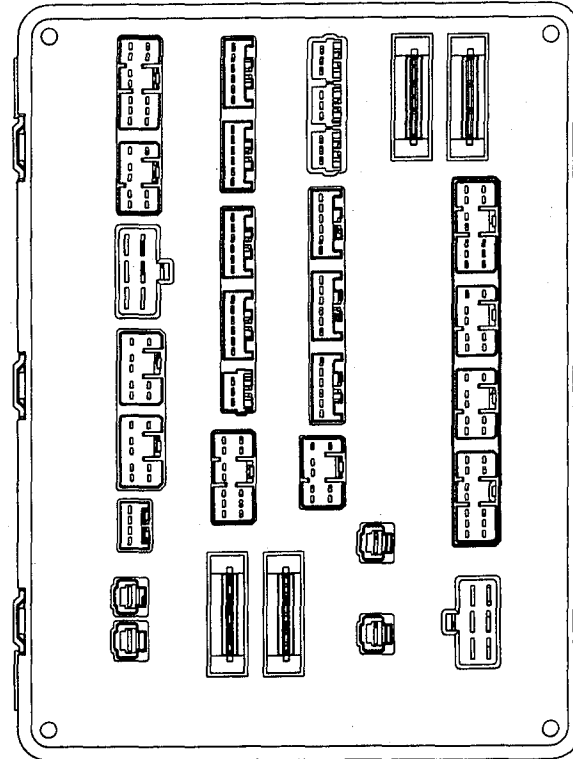
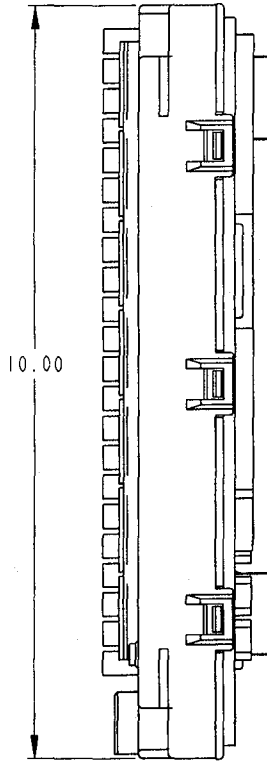
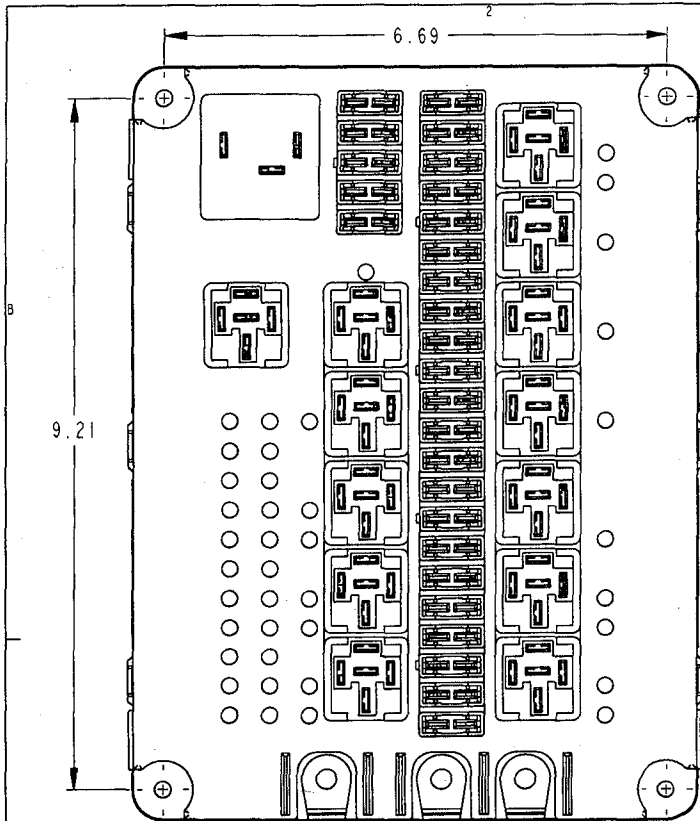


P/N 67000136 MOUNTED
ON TOP OF BRACKET
NOTE: TERMINAL SHOULDER UP
(FLAT DOWN)
BOTH ENDS

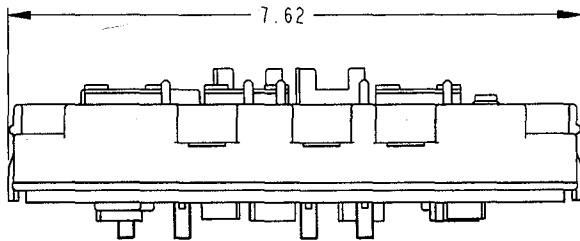
DETAIL C
FROM INSIDE LOOKING OUT
SCALE 1000

THIS DRAWING AND ALL INFORMATION PROVIDED WITH IT,
IS THE PROPERTY OF THOMAS BUILT BUSES, INC.
ANY REPRODUCTION OR DISTRIBUTION OF THIS
MATERIAL OR ANY PART THEREOF WITHOUT WRITTEN PERMISSION
OF THOMAS BUILT BUSES, INC. IS STRICTLY PROHIBITED.
COPYRIGHT © 1997 THOMAS BUILT BUSES, INC.

E		1) ADDED SHEET 4.		11/21/06	CLB	MIG
		2) QTY WAS 8.		ECR 2897-1	JAG	
		3) ADDED NEW PART (QTY 4)		DATE	BY	CF
		4) ADDED NEW PART (FOR REFERENCE)				
		5) ADDED VIEW DETAILS ON SHEET 3.				
		REV D ECR.1666-1				
LET		REVISION				
THOMAS BUILT BUSES, INC. HIGH POINT, NC						
TOLERANCE UNLESS OTHERWISE NOTED						
THIRD ANGLE PROJECTION	DECIMAL	FRACTIONAL	ANGULAR			
	± .015 ± .06 ± .1	± 1/32	± 1°			
ELECTRICAL ACCESS PANEL HDX & EF						
DRN. 12/12/02	RCM	MATERIAL: SEE NOTE #1		TH		
CK'D.	CAM	SIZE	DWG. NO. SHEET 6 OF 6			
ENGR/DESIGNER		B	52006276			
0.150						



- NOTES:
 1) MATERIAL: N/A
 2) BLANK: N/A
 3) CALCULATED WEIGHT: N/A
 4) BURRS: N/A
 5) FINISH: N/A
 6) COLOR: N/A
 7) BENDS: N/A
 8) WELDS: N/A
 9) REFERENCE: N/A



NOTE: THIS REVISION OF THE PHYSICAL BOARD MODEL CORRESPONDS WITH REVISION F OF THE BOARD SCHEMATIC 52004770.

Ⓒ MAXIMUM TIGHTENING TORQUE ON POWER CONNECTIONS IS 65 IN.-LBS. EXCEEDING THIS VALUE COULD DAMAGE ASSEMBLY AND RESULT IN LOSS OF FUNCTION

DIMENSIONS ARE FOR REFERENCE ONLY.

VENDOR INFORMATION:
 AMP
 P.O. BOX 55
 WINSTON-SALEM, NC 27102-0055

THIS DRAWING AND ALL INFORMATION PROVIDED WITH IT, IS THE PROPERTY OF THOMAS BUILT BUSES, INC. ANY REPRODUCTION OR DISTRIBUTION OF THIS MATERIAL OR ANY PART WITHOUT WRITTEN PERMISSION OF THOMAS BUILT BUSES, INC. IS STRICTLY PROHIBITED. COPYRIGHT © 1987 THOMAS BUILT BUSES, INC.


C		ADDED TORQUE SPEC			
REV B ON ERN 7075-1		9/9/03	DJH	MIG	
LET	REVISION	42189-1	OCS	DATE	BY
THOMAS BUILT BUSES, INC.					
HIGH POINT, NC		WOODSTOCK, CANADA			
TOLERANCE UNLESS OTHERWISE NOTED					
THIRD ANGLE PROJECTION	DECIMAL .XXX .015 .XX .06 .X .1	FRACTIONAL ±1/32	ANGULAR ±1°		
PRINTED CIRCUIT BOARD ASSEMBLY 1					
DRN.10/4/00	JEM	MATERIAL: SEE NOTE #1			0
CK'D10/4/00	JTA	SIZE	DWG. NO. SHEET 1 OF 4		
ENGR/DESIGNER	GEE	B	52004778		
			5/8		

BOARD #1 "BLUE"						
CONN	PIN	CIRCUIT CODE	WIRE COLOR	CIRCUIT DESCRIPTION	FUSE	RELAY
J1 BUZZER POWER SHUNT 52004092						
	1	BATT+	N/A	BATTERY POWER		
	2	SA33	N/A	BUZZER+	FUSE #24 (5 AMP)	
	3	IGN+	N/A	IGNITION POWER		
J2 STEP LIGHT POWER SHUNT 52004092						
	1	LM168	N/A	PARKING LIGHTS		
	2	-	N/A	TO STEP LIGHTS	FUSE #4 (10 AMP)	RELAY #2
	3	IGN+	N/A	IGNITION POWER		
J3 TO MAIN HARNESS CONN P/N AMP# 173851-1						
	1	LR170A	BLUE	BACK-UP LIGHT FEED		
	2	LS38	PURPLE	STROBE LIGHT		
	3	SA30	TAN	BUZZER-		
	4	SA29	BLUE	REAR DOOR BUZZER		
	5	SA31	GRAY	SIDE DOOR BUZZER (GROUND)		
	6	-	-	-		
	7	FD34	GRAY	LEFT DEFROSTER FAN LOW		
	8	LD21	BLACK	FRONT INTERIOR (DOME) LIGHTS		
	9	GND	WHITE	GROUND		
	10	SA33	PINK	BUZZER+		
	11	F317	ORANGE	HATCH FAN		
	12	DS27	PINK	IDENTIFICATION SIGN		
J4 TO MAIN HARNESS (TAIL LIGHTS) CONN P/N AMP# 173850-1						
	1	LR13	BLUE	RIGHT BACK-UP LIGHT		
	2	LR14	BLUE/WHITE	LEFT BACK-UP LIGHT		
	3	LB15	RED	RIGHT BRAKE LIGHT		
	4	LT10	YELLOW	LEFT TURN LIGHT		
	5	LT9	GREEN	RIGHT TURN LIGHT		
	6	LM12	BROWN/WHITE	LEFT TAIL LIGHT		
	7	LM11	BROWN	RIGHT TAIL LIGHT		
	8	LB16	RED/WHITE	LEFT BRAKE LIGHT		
J5 INPUT FROM CHASSIS TO BOARD #1 CONN P/N AMP# 173850-1						
	1	LM169	TAN	TAIL LIGHTS	FUSE #10 (15 AMP)	RELAY #8
	2	LB172	RED	BRAKE LIGHTS		
	3	LR170	BLUE	BACK-UP LIGHTS		
	4	SA32	YELLOW	STARTER INTERLOCK		
	5	LP70A	BLACK	PANEL LIGHTS FROM CHASSIS		
	6	KEY SW	BLACK	KEY SWITCH		RELAY #5
	7	LT175	GREEN	RIGHT TURN LIGHTS		
	8	LT174	YELLOW	LEFT TURN LIGHTS		
J6 TO MAIN HARNESS CONN P/N AMP# 173851-1						
	1	LM40	BROWN	TO MARKER LIGHTS		
	2	LM17	BROWN	TO CLUSTER LIGHTS		
	3	MH468	ORANGE	TO HEATED MIRRORS		
	4	MH469	BLUE	TO HEATED MIRRORS		
	5	SA32	YELLOW	STARTER INTERLOCK		
	6	DF426	GREEN	TO FRONT DOOR SOLENOID		
	7	LD20	TAN	DRIVER'S DOME LIGHT		
	8	LD19	BLACK	REAR INTERIOR (DOME) LIGHTS		

BOARD #1 "BLUE"						
CONN	PIN	CIRCUIT CODE	WIRE COLOR	CIRCUIT DESCRIPTION	FUSE	RELAY
	9	FD35	TAN	RIGHT DEFROSTER FAN LOW		
	10	FD37	BLUE	RIGHT DEFROSTER FAN HIGH		
	11	FD36	BLACK	LEFT DEFROSTER FAN HIGH		
	12	AV599	PINK	TO VIDEO L.E.D.		
J7 TO FRONT HEATER CONN P/N AMP# 171898-1						
	1	L-H-L	GRAY	LEFT HEATER LOW		
	2	D/H-L	BROWN	DEFROST/HEATER LOW		
	3	D-H-H	TAN	DRIVER'S HEATER HIGH		
	4	D/H-H	YELLOW	DEFROST/HEATER HIGH	FUSE #18 (20 AMP)	RELAY #11
	5	L-H-H	YELLOW	LEFT HEATER HIGH	FUSE #22 (20 AMP)	RELAY #12
	6	D-H-L	PURPLE	DRIVER'S HEATER LOW		
J8 FRONT PASSENGER HEATER LOW CONN P/N AMP# 172128-1						
	1	-	RED/WHITE	FRONT PASSENGER HEATER LOW		
J9 REAR PASSENGER HEATER LOW CONN P/N AMP# 172128-1						
	1	--	RED/WHITE	REAR PASSENGER HEATER LOW		
J10 DEFROSTER FAN SWITCH CONN P/N AMP# 173850-1						
	1	FD35	TAN	RIGHT DEFROSTER FAN LOW		
	2	FD37	BLUE	RIGHT DEFROSTER FAN HIGH		
	3	FD34	GRAY	LEFT DEFROSTER FAN LOW		
	4	SW2+	BLUE	RIGHT FAN POWER	FUSE #16 (15 AMP)	
	5	SW1+	BLUE	LEFT FAN POWER	FUSE #17 (15 AMP)	
	6	FD36	BLACK	LEFT DEFROSTER FAN HIGH		
	7	GND	WHITE	GROUND		
	8	LP70	ORANGE	TO PANEL LIGHTS		

DRAWING NOTE: (REFERENCE)
TO VIEW THE TABLES ON SHEETS 2, 3 & 4
OF THIS DRAWING, USING PRO/ENGINEER,
THE DIAGRAM FILE: 52004778.DGM MUST
BE IN SESSION (OPEN).

THIS DRAWING AND ALL INFORMATION PROVIDED WITH IT,
IS THE PROPERTY OF THOMAS BUILT BUSES, INC.
ANY REPRODUCTION OR DISTRIBUTION OF THIS
MATERIAL OR ANY PART HEREOF WITHOUT PERMISSION
OF THOMAS BUILT BUSES, INC. IS STRICTLY PROHIBITED.
COPYRIGHT © 1997 THOMAS BUILT BUSES, INC.

C ADDED TORQUE SPEC				
REV B ON ERN 7075-1		9/9/03	DJH	MIG
		42189-1	DCS	
LET	REVISION	DATE	BY	CF
THOMAS BUILT BUSES, INC.				
HIGH POINT, NC WOODSTOCK, CANADA				
THIRD ANGLE PROJECTION	TOLERANCE UNLESS OTHERWISE NOTED			
	DECIMAL .XXX .015 .XX .06 .X .1	FRACTIONAL ±1/32	ANGULAR ±1°	
PRINTED CIRCUIT BOARD ASSEMBLY I				
DRN.10/4/00	JEM	MATERIAL: SEE NOTE #1		0
CK'D10/4/00	JTA	SIZE	DWG. NO. SHEET 2 OF 4	
ENGR/DESIGNER	GEE	B	52004778	
5/8				

BOARD #1 "BLUE"						
CONN	PIN	CIRCUIT CODE	WIRE COLOR	CIRCUIT DESCRIPTION	FUSE	RELAY
J11 VIDEO L.E.D. CONN P/N AMP# 174923-1						
	1	IGN+	RED	IGNITION POWER	FUSE #25 (10 AMP)	
	2	AV599	PINK	TO VIDEO L.E.D.		
	3	LP70	ORANGE	TO PANEL LIGHTS		
	4	GND	WHITE	GROUND		
	5					
	6					
J12 TO INTERIOR LGTS/STEPWELL POWER+ CONN P/N AMP# 174923-1						
	1	IGN+	RED	IGNITION POWER	FUSE #4 (10 AMP)	
	2	-	PURPLE	TO STEPWELL RELAY #30+		RELAY #2
	3	LP70	ORANGE	TO PANEL LIGHTS		
	4	GND	WHITE	GROUND		
	5	LD21	BLACK	FRONT INTERIOR (DOME) LIGHTS		
	6	-	TAN	TO INTERIOR LIGHTS		
J13 HEATED MIRROR SWITCH CONN P/N AMP# 174923-1						
	1					
	2	-	YELLOW	MIRROR HEAT	FUSE #15 (15 AMP)	RELAY #10
	3	LP70	ORANGE	TO PANEL LIGHTS		
	4	GND	WHITE	GROUND		
	5					
	6	IGN+	RED	IGNITION POWER	FUSE #26 (10 AMP)	
J14 PANEL LIGHTS DIMMER CONN P/N AMP# 174921-1						
	1	GND	WHITE	GROUND		
	2	LP70	ORANGE	TO PANEL LIGHTS		
	3	LP70A	BLACK	PANEL LIGHTS FROM CHASSIS		
J15 BUZZER LIGHT + MORE CONN P/N AMP# 174921-1						
	1	SA33	PINK	BUZZER+	FUSE #24 (5AMP)	
	2					
	3	SA30	TAN	BUZZER-		
J16 WIPER POWER CONN P/N AMP# 174921-1						
	1	IGN+	RED	IGNITION POWER	FUSE #7 (15 AMP)	
	2	GND	WHITE	GROUND		
	3	BATT+	GREEN	BATTERY POWER	FUSE #23 (10 AMP)	
J17 TO BOARD #3 CONN P/N AMP# 174923-1						
	1					
	2	LP70	ORANGE	TO PANEL LIGHTS		
	3	SA504	TAN	BUZZER CIRCUIT		
	4	DS27	PINK	IDENTIFICATION SIGN		
	5	IGN+	RED	IGNITION POWER		RELAY #4
	6	F3J7	ORANGE	HATCH FAN		
J18 DOOR SWITCH CONN P/N AMP# 174923-1						
	1	DF426	GREEN	TO FRONT DOOR SOLENOID		
	2	DF427	YELLOW	TO MANUAL FLASHER OVERRIDE		
	3	BATT+	GREEN	BATTERY POWER	FUSE #5 (10 AMP)	
	4	LP70	ORANGE	TO PANEL LIGHTS		
	5	GND	WHITE	GROUND		
	6	LW59	PINK	DOOR SWITCH SIGNAL (GROUND)		

BOARD #1 "BLUE"						
CONN	PIN	CIRCUIT CODE	WIRE COLOR	CIRCUIT DESCRIPTION	FUSE	RELAY
J19 TO STROBE CONN P/N AMP# 174923-1						
	1	IGN+	RED	IGNITION POWER	FUSE #20 (10 AMP)	
	2	RLY	YELLOW	RELAY SIGNAL	FUSE #11 (10 AMP)	RELAY #13
	3	LP70	ORANGE	TO PANEL LIGHTS		
	4	GND	WHITE	GROUND		
	5	LW82	GRAY	STOP ARM SIGNAL		
	6	LM168	BROWN	PARKING LIGHTS		
J20 MARKER / CLUSTER LIGHTS CONN P/N AMP# 174923-1						
	1	LM168	BROWN	PARKING LIGHTS		
	2	LM40	BROWN	TO MARKER LIGHTS		
	3	LM17	BROWN	TO CLUSTER LIGHTS		
	4	GND	WHITE	GROUND		
	5	LP70	ORANGE	TO PANEL LIGHTS		
	6	IGN+	RED	IGNITION POWER	FUSE #7 (10 AMP)	
J21 POWER OUTLET CONN P/N AMP# 174921-1						
	1	BATT+	GREEN	BATTERY POWER	FUSE #27 (10 AMP)	
	2	GND	WHITE	GROUND		
	3					
J22 PASSENGER HEATERS CONN P/N AMP# 173851-1						
	1	F-L	PURPLE	FRONT PASS HEATER LOW		
	2	R-L	PINK	REAR PASS HEATER LOW		
	3	IGN-R-P	BLUE	REAR PASS HEATER +	FUSE #8 (15 AMP)	
	4	LP70	ORANGE	TO PANEL LIGHTS		
	5	IGN-P	BLUE	PUMP+	FUSE #14 (10 AMP)	
	6	R-P-H	YELLOW	REAR PASS HEATER HIGH	FUSE #19 (20 AMP)	RELAY #6
	7	F-P-H	YELLOW	FRONT PASS HEATER HIGH	FUSE #21 (20 AMP)	RELAY #7
	8					
	9					
	10	GND	WHITE	GROUND		
	11	PUMP	TAN	PUMP		
	12	IGN-F-P	BLUE	FRONT PASS HEATER +	FUSE #3 (15 AMP)	

DRAWING NOTE: (REFERENCE)
TO VIEW THE TABLES ON SHEETS 2, 3 & 4
OF THIS DRAWING, USING PRO/ENGINEER,
THE DIAGRAM FILE: 52004778.DGM MUST
BE IN SESSION (OPEN).

THIS DRAWING AND ALL INFORMATION PROVIDED WITH IT,
IS THE PROPERTY OF THOMAS BUILT BUSES, INC.
ANY REPRODUCTION OR DISTRIBUTION OF THIS
MATERIAL OR ANY PART WITHOUT WRITTEN PERMISSION
OF THOMAS BUILT BUSES, INC. IS STRICTLY PROHIBITED.
COPYRIGHT © 1997 THOMAS BUILT BUSES, INC.

C		ADDED TORQUE SPEC			
REV B ON ERN 7075-1		9/9/03	DJH	MIG	
		42189-1	OCS		
LET	REVISION	DATE	BY	CF	
THOMAS BUILT BUSES, INC.					
HIGH POINT, NC WOODSTOCK, CANADA					
THIRD ANGLE PROJECTION		TOLERANCE UNLESS OTHERWISE NOTED			
	DECIMAL	FRACTIONAL	ANGULAR		
	.XXX .015	±1/32	±1°		
	.XX .06				
	.X .1				
PRINTED CIRCUIT BOARD ASSEMBLY 1					
DRN. 10/4/00	JEM	MATERIAL: SEE NOTE #1		0	
CK'D 10/4/00	JTA	SIZE	DNG. NO. SHEET 3 OF 4		
ENGR/DESIGNER	GEE	B	52004778		
5/8					

BOARD #1 "BLUE"

CONN	PIN	CIRCUIT CODE	WIRE COLOR	CIRCUIT DESCRIPTION	FUSE	RELAY
J23 FRONT INTERIOR LIGHTS SHUNT 52004092						
	1	-	N/A	TO FRONT INTERIOR (DOME) LIGHTS		
	2	--	N/A	FROM RELAY #		
	3					
J24 REAR INTERIOR LIGHTS SHUNT 52004092						
	1		N/A	TO REAR INTERIOR (DOME) LIGHTS		
	2		N/A	FROM RELAY #		
	3					
J25 FRONT PASSENGER HEATER HIGH CONN P/N AMP# 172128-1						
	1	-	GREEN/BLACK	FRONT PASSENGER HEATER HIGH	FUSE #21 (20AMP)	RELAY #7
J26 REAR PASSENGER HEATER HIGH CONN P/N AMP# 172128-1						
	1	--	GREEN/BLACK	REAR PASSENGER HEATER HIGH	FUSE #19 (20 AMP)	RELAY #6
J27 NOISE SUPPRESSION SWITCH CONN P/N AMP# 174922-1						
	1	RLY	YELLOW	RELAY SIGNAL		RELAY #9
	2	GND	WHITE	GROUND		
	3	IGN+	RED	IGNITION POWER	FUSE #20 (10 AMP)	
	4	LP70	ORANGE	TO PANEL LIGHTS		
J28 TO BOARD #2 CONN P/N AMP# 173850-1						
	1	GND	WHITE	GROUND		
	2	LW82	GRAY	STOP ARM SIGNAL		
	3	LP70	ORANGE	TO PANEL LIGHTS		
	4	SW+	BLUE	SWITCH POWER		
	5	DF427	YELLOW	TO MANUAL FLASHER OVERRIDE		
	6	IGN+	RED	IGNITION POWER		
	7	LR170A	BLUE	BACK-UP LIGHT FEED		
	8	LW59	PINK	DOOR SWITCH SIGNAL (GROUND)		
J29 TO BUS FRONT HARNESS CONN P/N AMP# 173850-1						
	1	MH470	ORANGE	HEATED MIRROR		
	2	PUMP	TAN	PUMP		
	3	LM168	BROWN	PARKING LIGHTS		
	4					
	5	LE74	BLUE	STEPWELL LIGHTS		
	6	LT175	GREEN	RIGHT TURN LIGHTS		
	7	LT174	YELLOW	LEFT TURN LIGHTS		
	8	LW59	PINK	DOOR SWITCH SIGNAL (GROUND)		
J30 INTERIOR LIGHT DIMMER CONN P/N AMP# 171898-1						
	1	LD19	BLACK	REAR INTERIOR (DOME) LIGHTS		
	2	LD21	BLACK	FRONT INTERIOR (DOME) LIGHTS		
	3	GND	WHITE	GROUND		
	4	LD19A	TAN	FROM REAR DOME LIGHTS RELAY	FUSE #12 (15 AMP)	RELAY #3
	5	LD21A	TAN	FROM FRONT DOME LIGHTS RELAY	FUSE #9 (15 AMP)	RELAY #4
	6	GND	WHITE	GROUND		
J31 INTERIOR LIGHT SWITCHES & BRAKE LIGHT CONN P/N AMP# 173850-1						
	1	LD20	TAN	DRIVER'S DOME LIGHT		
	2	GND	WHITE	GROUND		
	3	LP70	ORANGE	TO PANEL LIGHTS		
	4	LD19	YELLOW	REAR INTERIOR (DOME) LIGHTS	FUSE #12 (15 AMP)	RELAY #4

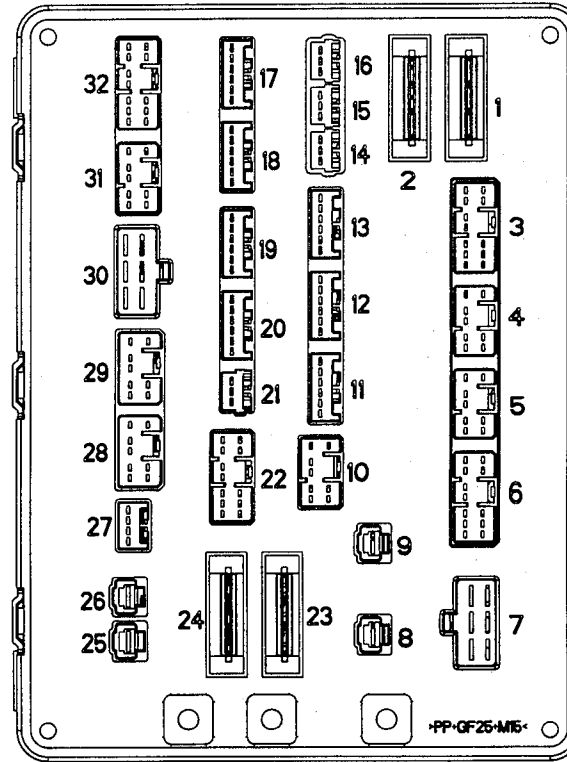
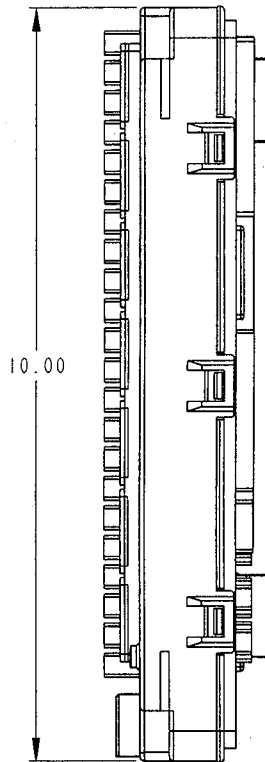
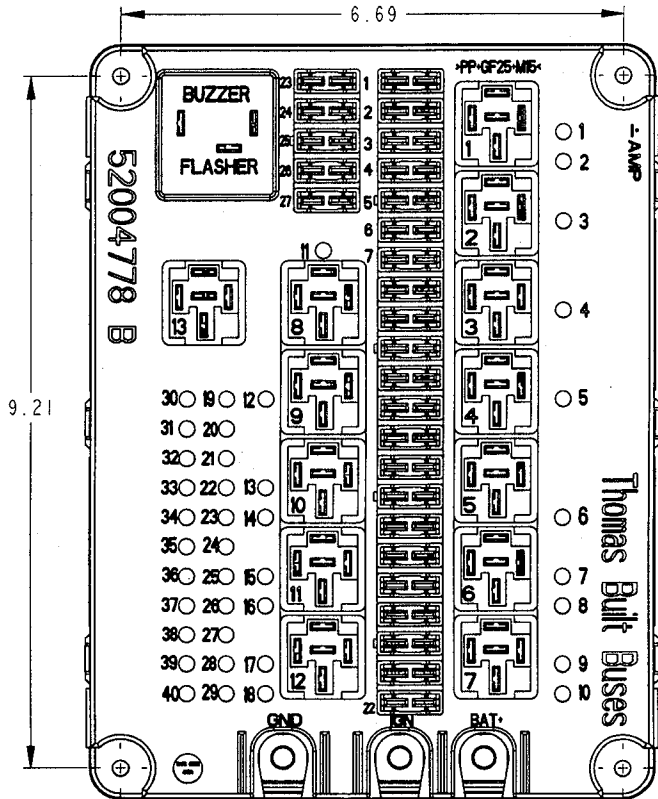
BOARD #1 "BLUE"

CONN	PIN	CIRCUIT CODE	WIRE COLOR	CIRCUIT DESCRIPTION	FUSE	RELAY
	5	IGN+	RED	IGNITION POWER	FUSE #6 (5 AMP)	
	6	LD21	YELLOW	FRONT INTERIOR (DOME) LIGHTS	FUSE #9 (15 AMP)	RELAY #3
	7	BATT+	GREEN	BATTERY POWER	FUSE #5 (10 AMO)	
	8	LB172	RED	BRAKE LIGHTS		
J32 LEFT HEATER SWITCH CONN P/N AMP# 173851-1						
	1	GND	WHITE	GROUND		
	2	L-H-L	GRAY	LEFT HEATER LOW		
	3	LP70	ORANGE	TO PANEL LIGHTS		
	4	D/H-L	BROWN	DEFROST/HEATER LOW		
	5	D/H-P	BLUE	DEFROST/HEATER SWITCH +	FUSE #1 (15 AMP)	
	6	D-H-L	PURPLE	DRIVER'S HEATER LOW		
	7	D-H-H	TAN	DRIVER'S HEATER HIGH		
	8	L-H-H	YELLOW	LEFT HEATER HIGH	FUSE #22 (20 AMP)	RELAY #12
	9	D/H-H	YELLOW	DEFROST/HEATER HIGH	FUSE #18 (20 AMP)	RELAY #11
	10	D-H-P	BLUE	DRIVER'S HEATER SWITCH +	FUSE #3 (15 AMP)	
	11	L-ISW	BLACK	RELAY LOW DEFROST		RELAY #1
	12	L-H-P	BLUE	LEFT HEATER SWITCH +	FUSE #2 (15 AMP)	

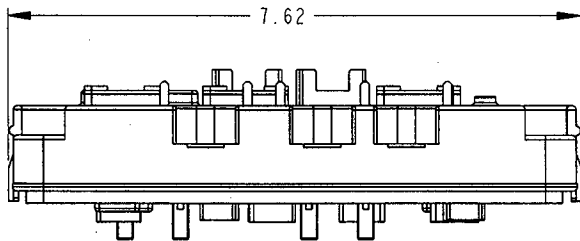
DRAWING NOTE: (REFERENCE)
TO VIEW THE TABLES ON SHEETS 2, 3 & 4
OF THIS DRAWING, USING PRO/ENGINEER.
THE DIAGRAM FILE: 52004778.DGM MUST
BE IN SESSION (OPEN).

THIS DRAWING AND ALL INFORMATION PROVIDED WITH IT,
IS THE PROPERTY OF THOMAS BUILT BUSES, INC.
ANY REPRODUCTION OR DISTRIBUTION OF THIS
DRAWING OR ANY PART WITHOUT WRITTEN PERMISSION
OF THOMAS BUILT BUSES, INC. IS STRICTLY PROHIBITED.
COPYRIGHT © 1997 THOMAS BUILT BUSES, INC.

C		ADDED TORQUE SPEC			
REV B ON ERN 7075-1		9/9/03	DJH	MIG	
		42189-1	OCS		
LET	REVISION			DATE	BY
THOMAS BUILT BUSES, INC.					
HIGH POINT, NC		WOODSTOCK, CANADA			
TOLERANCE UNLESS OTHERWISE NOTED					
THIRD ANGLE PROJECTION	DECIMAL .XXX .015 .XX .06 .X .1	FRACTIONAL ±1/32	ANGULAR ±1°		
PRINTED CIRCUIT BOARD ASSEMBLY 1					
DRN:10/4/00	JEM	MATERIAL: SEE NOTE #1		0	
CK'D:10/4/00	JTA	SIZE	DWG. NO. SHEET 4 OF 4		
ENGR/DESIGNER	GEE	B	52004778		
5/8					



- NOTES:
- 1) MATERIAL:
 - 2) BLANK: N/A
 - 3) CALCULATED WEIGHT: N/A
 - 4) BURRS: N/A
 - 5) FINISH: N/A
 - 6) COLOR: N/A
 - 7) BENDS: N/A
 - 8) WELDS: N/A
 - 9) REFERENCE: N/A



NOTE: THIS REVISION OF THE PHYSICAL BOARD MODEL CORRESPONDS WITH REVISION F OF THE BOARD SCHEMATIC 52004770.

DIMENSIONS ARE FOR REFERENCE ONLY.

VENDOR INFORMATION:
AMP
P.O. BOX 55
WINSTON-SALEM, NC 27102-0055

B RELEASED			
IN NOTE: CHANGED REVISION E TO F			
ADDED B TO P/N ON BOARD			
COSMETIC CHANGES TO IMPROVE CLARITY			
ADDED TABLES ON SHEETS 2, 3 & 4			
REV A ON ERN B1B893-303		05/25/01	END MIG
		7075-T	JTA
LET	REVISION	DATE	BY CF
THOMAS BUILT BUSES, INC.			
HIGH POINT, NC		WOODSTOCK, CANADA	
TOLERANCE UNLESS OTHERWISE NOTED			
THIRD ANGLE PROJECTION	DECIMAL	FRACTIONAL	ANGULAR
	.XXX .015	±1/32	±1°
	.XX .06		
	.X .1		
PRINTED CIRCUIT BOARD ASSEMBLY 1			
DRN.10/4/00	JEM	MATERIAL: SEE NOTE #1	PRO-E
CK'D10/4/00	JTA	SIZE	DWG. NO. SHEET 1 OF 4
ENGR/DESIGNER	GEE	B	52004778
5/8			

THIS DRAWING AND ALL INFORMATION PROVIDED WITH IT, IS THE PROPERTY OF THOMAS BUILT BUSES, INC. ANY REPRODUCTION OR DISTRIBUTION OF THIS MATERIAL, OR ANY PART THEREOF, WITHOUT PERMISSION OF THOMAS BUILT BUSES, INC. IS STRICTLY PROHIBITED. COPYRIGHT © 1997 THOMAS BUILT BUSES, INC.

BOARD #1 "BLUE"

CONN	PIN	CIRCUIT CODE	WIRE COLOR	CIRCUIT DESCRIPTION	FUSE	RELAY
J1 BUZZER POWER				SHUNT 52004092		
1	BATT+	N/A		BATTERY POWER		
2	SA33	N/A		BUZZER+	FUSE #24 (5 AMP)	
3	IGN+	N/A		IGNITION POWER		
J2 STEP LIGHT POWER				SHUNT 52004092		
1	LM168	N/A		PARKING LIGHTS		
2	-	N/A		TO STEP LIGHTS	FUSE #4 (10 AMP)	RELAY #2
3	IGN+	N/A		IGNITION POWER		
J3 TO MAIN HARNESS				CONN P/N AMP# 173851-1		
1	LR170A	BLUE		BACK-UP LIGHT FEED		
2	LS38	PURPLE		STROBE LIGHT		
3	SA30	TAN		BUZZER-		
4	SA29	BLUE		REAR DOOR BUZZER		
5	SA31	GRAY		SIDE DOOR BUZZER (GROUND)		
6						
7	FD34	GRAY		LEFT DEFROSTER FAN LOW		
8	LD21	BLACK		FRONT INTERIOR (DOME) LIGHTS		
9	GND	WHITE		GROUND		
10	SA33	PINK		BUZZER+		
11	F317	ORANGE		HATCH FAN		
12	DS27	PINK		IDENTIFICATION SIGN		
J4 TO MAIN HARNESS (TAIL LIGHTS)				CONN P/N AMP# 173850-1		
1	LR13	BLUE		RIGHT BACK-UP LIGHT		
2	LR14	BLUE/WHITE		LEFT BACK-UP LIGHT		
3	LB15	RED		RIGHT BRAKE LIGHT		
4	LT10	YELLOW		LEFT TURN LIGHT		
5	LT9	GREEN		RIGHT TURN LIGHT		
6	LM12	BROWN/WHITE		LEFT TAIL LIGHT		
7	LM11	BROWN		RIGHT TAIL LIGHT		
8	LB16	RED/WHITE		LEFT BRAKE LIGHT		
J5 INPUT FROM CHASSIS TO BOARD #1				CONN P/N AMP# 173850-1		
1	LM169	TAN		TAIL LIGHTS	FUSE #10 (15 AMP)	RELAY #8
2	LB172	RED		BRAKE LIGHTS		
3	LR170	BLUE		BACK-UP LIGHTS		
4	SA32	YELLOW		STARTER INTERLOCK		
5	LP70A	BLACK		PANEL LIGHTS FROM CHASSIS		
6	KEY SW	BLACK		KEY SWITCH		RELAY #5
7	LT175	GREEN		RIGHT TURN LIGHTS		
8	LT174	YELLOW		LEFT TURN LIGHTS		
J6 TO MAIN HARNESS				CONN P/N AMP# 173851-1		
1	LM40	BROWN		TO MARKER LIGHTS		
2	LM17	BROWN		TO CLUSTER LIGHTS		
3	MH468	ORANGE		TO HEATED MIRRORS		
4	MH469	BLUE		TO HEATED MIRRORS		
5	SA32	YELLOW		STARTER INTERLOCK		
6	DF426	GREEN		TO FRONT DOOR SOLENOID		
7	LD20	TAN		DRIVER'S DOME LIGHT		
8	LD19	BLACK		REAR INTERIOR (DOME) LIGHTS		

BOARD #1 "BLUE"

CONN	PIN	CIRCUIT CODE	WIRE COLOR	CIRCUIT DESCRIPTION	FUSE	RELAY
9	FD35	TAN		RIGHT DEFROSTER FAN LOW		
10	FD37	BLUE		RIGHT DEFROSTER FAN HIGH		
11	FD36	BLACK		LEFT DEFROSTER FAN HIGH		
12	AV599	PINK		TO VIDEO L.E.D.		
J7 TO FRONT HEATER				CONN P/N AMP# 171898-1		
1	L-H-L	GRAY		LEFT HEATER LOW		
2	D/H-L	BROWN		DEFROST/HEATER LOW		
3	D-H-H	TAN		DRIVER'S HEATER HIGH		
4	D/H-H	YELLOW		DEFROST/HEATER HIGH	FUSE #18 (20 AMP)	RELAY #11
5	L-H-H	YELLOW		LEFT HEATER HIGH	FUSE #22 (20 AMP)	RELAY #12
6	D-H-L	PURPLE		DRIVER'S HEATER LOW		
J8 FRONT PASSENGER HEATER LOW				CONN P/N AMP# 172128-1		
1	-	RED/WHITE		FRONT PASSENGER HEATER LOW		
J9 REAR PASSENGER HEATER LOW				CONN P/N AMP# 172128-1		
1	-	RED/WHITE		REAR PASSENGER HEATER LOW		
J10 DEFROSTER FAN SWITCH				CONN P/N AMP# 173850-1		
1	FD35	TAN		RIGHT DEFROSTER FAN LOW		
2	FD37	BLUE		RIGHT DEFROSTER FAN HIGH		
3	FD34	GRAY		LEFT DEFROSTER FAN LOW		
4	SW2+	BLUE		RIGHT FAN POWER	FUSE #16 (15 AMP)	
5	SW1+	BLUE		LEFT FAN POWER	FUSE #17 (15 AMP)	
6	FD36	BLACK		LEFT DEFROSTER FAN HIGH		
7	GND	WHITE		GROUND		
8	LP70	ORANGE		TO PANEL LIGHTS		

DRAWING NOTE: (REFERENCE)
TO VIEW THE TABLES ON SHEETS 2, 3 & 4
OF THIS DRAWING, USING PRO/ENGINEER,
THE DIAGRAM FILE: 52004778.DGM MUST
BE IN SESSION (OPEN).

THIS DRAWING AND ALL INFORMATION PROVIDED WITH IT,
IS THE PROPERTY OF THOMAS BUILT BUSES, INC.
ANY REPRODUCTION OR DISTRIBUTION OF THIS
DRAWING OR ANY PART WITHOUT WRITTEN PERMISSION
OF THOMAS BUILT BUSES, INC. IS STRICTLY PROHIBITED.
COPYRIGHT © 1997 THOMAS BUILT BUSES, INC.

B	RELEASED IN NOTE: CHANGED REVISION E TO F ADDED B TO P/N ON BOARD COSMETIC CHANGES TO IMPROVE CLARITY ADDED TABLES ON SHEETS 2, 3 & 4 REV A ON ERN B18893-303	05/25/01	END	MIG
		7075-1	JTA	
LET	REVISION	DATE	BY	CF
THOMAS BUILT BUSES, INC. HIGH POINT, NC WOODSTOCK, CANADA				
TOLERANCE UNLESS OTHERWISE NOTED				
THIRD ANGLE PROJECTION	DECIMAL .XXX .015 .XX .06 .X .1	FRACTIONAL ±1/32	ANGULAR ±1°	
PRINTED CIRCUIT BOARD ASSEMBLY I				
DRN:10/4/00	JEM	MATERIAL: SEE NOTE #1	PRO-E	
CK'D:10/4/00	JTA	SIZE B	DWG. NO. SHEET 2 OF 4 52004778	
ENGR/DESIGNER	GEE	578		

BOARD #1 "BLUE"

CONN	PIN	CIRCUIT CODE	WIRE COLOR	CIRCUIT DESCRIPTION	FUSE	RELAY
J11 VIDEO L.E.D. CONN P/N AMP# 174923-1						
	1	IGN+	RED	IGNITION POWER	FUSE #25 (10 AMP)	
	2	AV599	PINK	TO VIDEO L.E.D.		
	3	LP70	ORANGE	TO PANEL LIGHTS		
	4	GND	WHITE	GROUND		
	5					
	6					
J12 TO INTERIOR LGTS/STEPWELL POWER+ CONN P/N AMP# 174923-1						
	1	IGN+	RED	IGNITION POWER	FUSE #4 (10 AMP)	
	2	-	PURPLE	TO STEPWELL RELAY #30+		RELAY #2
	3	LP70	ORANGE	TO PANEL LIGHTS		
	4	GND	WHITE	GROUND		
	5	LD21	BLACK	FRONT INTERIOR (DOME) LIGHTS		
	6	-	TAN	TO INTERIOR LIGHTS		
J13 HEATED MIRROR SWITCH CONN P/N AMP# 174923-1						
	1					
	2	-	YELLOW	MIRROR HEAT	FUSE #15 (15 AMP)	RELAY #10
	3	LP70	ORANGE	TO PANEL LIGHTS		
	4	GND	WHITE	GROUND		
	5					
	6	IGN+	RED	IGNITION POWER	FUSE #26 (10 AMP)	
J14 PANEL LIGHTS DIMMER CONN P/N AMP# 174921-1						
	1	GND	WHITE	GROUND		
	2	LP70	ORANGE	TO PANEL LIGHTS		
	3	LP70A	BLACK	PANEL LIGHTS FROM CHASSIS		
J15 BUZZER LIGHT + MORE CONN P/N AMP# 174921-1						
	1	SA33	PINK	BUZZER+	FUSE #24 (5AMP)	
	2					
	3	SA30	TAN	BUZZER-		
J16 WIPER POWER CONN P/N AMP# 174921-1						
	1	IGN+	RED	IGNITION POWER	FUSE #7 (15 AMP)	
	2	GND	WHITE	GROUND		
	3	BATT+	GREEN	BATTERY POWER	FUSE #23 (10 AMP)	
J17 TO BOARD #3 CONN P/N AMP# 174923-1						
	1					
	2	LP70	ORANGE	TO PANEL LIGHTS		
	3	SA504	TAN	BUZZER CIRCUIT		
	4	DS27	PINK	IDENTIFICATION SIGN		
	5	IGN+	RED	IGNITION POWER		RELAY #4
	6	F317	ORANGE	HATCH FAN		
J18 DOOR SWITCH CONN P/N AMP# 174923-1						
	1	DF426	GREEN	TO FRONT DOOR SOLENOID		
	2	DF427	YELLOW	TO MANUAL FLASHER OVERRIDE		
	3	BATT+	GREEN	BATTERY POWER	FUSE #5 (10 AMP)	
	4	LP70	ORANGE	TO PANEL LIGHTS		
	5	GND	WHITE	GROUND		
	6	LW59	PINK	DOOR SWITCH SIGNAL (GROUND)		

BOARD #1 "BLUE"

CONN	PIN	CIRCUIT CODE	WIRE COLOR	CIRCUIT DESCRIPTION	FUSE	RELAY
J19 TO STROBE CONN P/N AMP# 174923-1						
	1	IGN+	RED	IGNITION POWER	FUSE #20 (10 AMP)	
	2	RLY	YELLOW	RELAY SIGNAL	FUSE #11 (10 AMP)	RELAY #13
	3	LP70	ORANGE	TO PANEL LIGHTS		
	4	GND	WHITE	GROUND		
	5	LW82	GRAY	STOP ARM SIGNAL		
	6	LM168	BROWN	PARKING LIGHTS		
J20 MARKER / CLUSTER LIGHTS CONN P/N AMP# 174923-1						
	1	LM168	BROWN	PARKING LIGHTS		
	2	LM40	BROWN	TO MARKER LIGHTS		
	3	LM17	BROWN	TO CLUSTER LIGHTS		
	4	GND	WHITE	GROUND		
	5	LP70	ORANGE	TO PANEL LIGHTS		
	6	IGN+	RED	IGNITION POWER	FUSE #7 (10 AMP)	
J21 POWER OUTLET CONN P/N AMP# 174921-1						
	1	BATT+	GREEN	BATTERY POWER	FUSE #27 (10 AMP)	
	2	GND	WHITE	GROUND		
	3					
J22 PASSENGER HEATERS CONN P/N AMP# 173851-1						
	1	F-L	PURPLE	FRONT PASS HEATER LOW		
	2	R-L	PINK	REAR PASS HEATER LOW		
	3	IGN-R-P	BLUE	REAR PASS HEATER +	FUSE #8 (15 AMP)	
	4	LP70	ORANGE	TO PANEL LIGHTS		
	5	IGN-P	BLUE	PUMP+	FUSE #14 (10 AMP)	
	6	R-P-H	YELLOW	REAR PASS HEATER HIGH	FUSE #19 (20 AMP)	RELAY #6
	7	F-P-H	YELLOW	FRONT PASS HEATER HIGH	FUSE #21 (20 AMP)	RELAY #7
	8					
	9					
	10	GND	WHITE	GROUND		
	11	PUMP	TAN	PUMP		
	12	IGN-F-P	BLUE	FRONT PASS HEATER +	FUSE #3 (15 AMP)	

B RELEASED IN NOTE: CHANGED REVISION E TO F ADDED B TO P/N ON BOARD COSMETIC CHANGES TO IMPROVE CLARITY ADDED TABLES ON SHEETS 2, 3 & 4		05/25/01	END	MIG
REV A ON ERN B18893-303		7075-1	JTA	CF
LET	REVISION	DATE	BY	CF
THOMAS BUILT BUSES, INC. HIGH POINT, NC WOODSTOCK, CANADA				
TOLERANCE UNLESS OTHERWISE NOTED				
THIRD ANGLE PROJECTION	DECIMAL XXX :XX .X	FRACTIONAL ±1/32	ANGULAR ±1°	
PRINTED CIRCUIT BOARD ASSEMBLY 1				
DRN.10/4/00	JEM	MATERIAL: SEE NOTE #1	PROE	
CK'D10/4/00	JTA	SIZE	DWG. NO. SHEET 3 OF 4	
ENGR/DESIGNER	GEE	B	52004778	
5/8				

DRAWING NOTE: (REFERENCE)
TO VIEW THE TABLES ON SHEETS 2, 3 & 4
OF THIS DRAWING, USING PRO/ENGINEER,
THE DIAGRAM FILE: 52004778.DGM MUST
BE IN SESSION (OPEN).

THIS DRAWING AND ALL INFORMATION PROVIDED WITH IT,
IS THE PROPERTY OF THOMAS BUILT BUSES, INC.
ANY REPRODUCTION OR DISTRIBUTION OF
MATERIAL OR ANY PART WITHOUT WRITTEN PERMISSION
OF THOMAS BUILT BUSES, INC. IS STRICTLY PROHIBITED.
COPYRIGHT © 1997 THOMAS BUILT BUSES, INC.

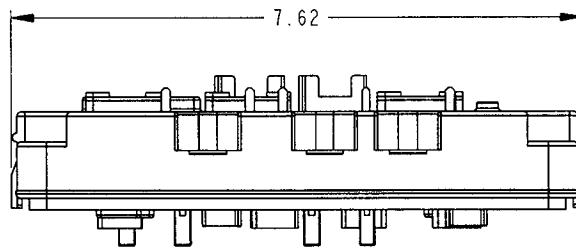
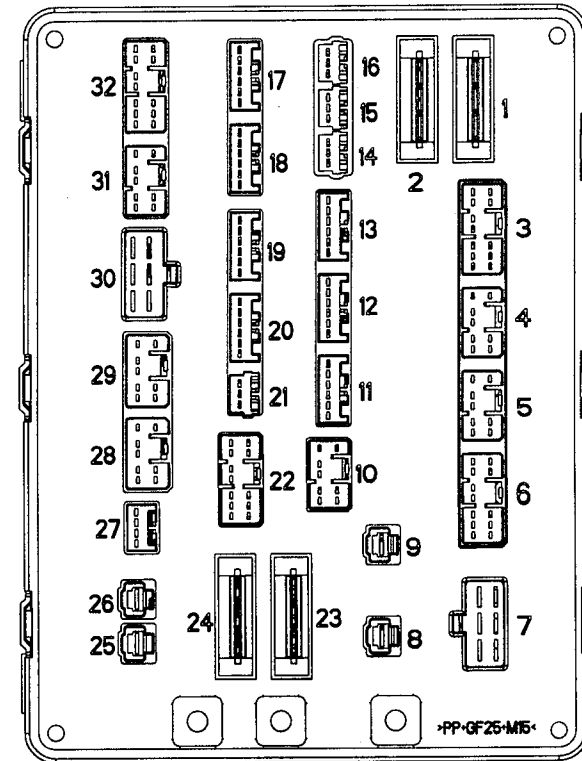
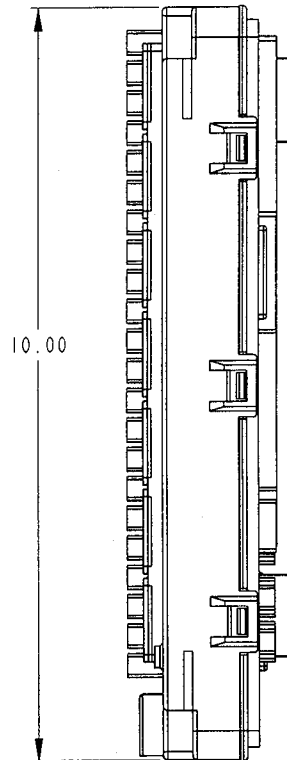
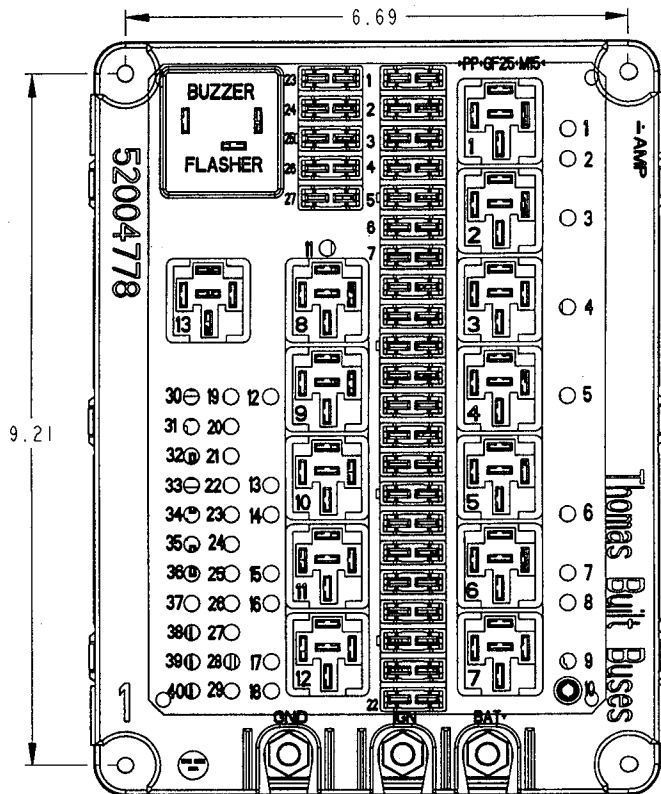
BOARD #1 "BLUE"						
CONN	PIN	CIRCUIT CODE	WIRE COLOR	CIRCUIT DESCRIPTION	FUSE	RELAY
J23 FRONT INTERIOR LIGHTS				SHUNT 52004092		
	1	-	N/A	TO FRONT INTERIOR (DOME) LIGHTS		
	2	--	N/A	FROM RELAY #		
	3					
J24 REAR INTERIOR LIGHTS				SHUNT 52004092		
	1		N/A	TO REAR INTERIOR (DOME) LIGHTS		
	2		N/A	FROM RELAY #		
	3					
J25 FRONT PASSENGER HEATER HIGH				CONN P/N AMP# 172128-1		
	1		GREEN/BLACK	FRONT PASSENGER HEATER HIGH	FUSE #21 (20AMP)	RELAY #7
J26 REAR PASSENGER HEATER HIGH				CONN P/N AMP# 172128-1		
	1	--	GREEN/BLACK	REAR PASSENGER HEATER HIGH	FUSE #19 (20 AMP)	RELAY #6
J27 NOISE SUPPRESSION SWITCH				CONN P/N AMP# 174922-1		
	1	RLY	YELLOW	RELAY SIGNAL		RELAY #9
	2	GND	WHITE	GROUND		
	3	IGN+	RED	IGNITION POWER	FUSE #20 (10 AMP)	
	4	LP70	ORANGE	TO PANEL LIGHTS		
J28 TO BOARD #2				CONN P/N AMP# 173850-1		
	1	GND	WHITE	GROUND		
	2	LW82	GRAY	STOP ARM SIGNAL		
	3	LP70	ORANGE	TO PANEL LIGHTS		
	4	SW+	BLUE	SWITCH POWER		
	5	DF427	YELLOW	TO MANUAL FLASHER OVERRIDE		
	6	IGN+	RED	IGNITION POWER		
	7	LR170A	BLUE	BACK-UP LIGHT FEED		
	8	LW59	PINK	DOOR SWITCH SIGNAL (GROUND)		
J29 TO BUS FRONT HARNESS				CONN P/N AMP# 173850-1		
	1	MH470	ORANGE	HEATED MIRROR		
	2	PUMP	TAN	PUMP		
	3	LM168	BROWN	PARKING LIGHTS		
	4					
	5	LE74	BLUE	STEPWELL LIGHTS		
	6	LT175	GREEN	RIGHT TURN LIGHTS		
	7	LT174	YELLOW	LEFT TURN LIGHTS		
	8	LW59	PINK	DOOR SWITCH SIGNAL (GROUND)		
J30 INTERIOR LIGHT DIMMER				CONN P/N AMP# 171898-1		
	1	LD19	BLACK	REAR INTERIOR (DOME) LIGHTS		
	2	LD21	BLACK	FRONT INTERIOR (DOME) LIGHTS		
	3	GND	WHITE	GROUND		
	4	LD19A	TAN	FROM REAR DOME LIGHTS RELAY	FUSE #12 (15 AMP)	RELAY #3
	5	LD21A	TAN	FROM FRONT DOME LIGHTS RELAY	FUSE #9 (15 AMP)	RELAY #4
	6	GND	WHITE	GROUND		
J31 INTERIOR LIGHT SWITCHES & BRAKE LIGHT				CONN P/N AMP# 173850-1		
	1	LD20	TAN	DRIVER'S DOME LIGHT		
	2	GND	WHITE	GROUND		
	3	LP70	ORANGE	TO PANEL LIGHTS		
	4	LD19	YELLOW	REAR INTERIOR (DOME) LIGHTS	FUSE #12 (15 AMP)	RELAY #4

BOARD #1 "BLUE"						
CONN	PIN	CIRCUIT CODE	WIRE COLOR	CIRCUIT DESCRIPTION	FUSE	RELAY
	5	IGN+	RED	IGNITION POWER	FUSE #6 (5 AMP)	
	6	LD21	YELLOW	FRONT INTERIOR (DOME) LIGHTS	FUSE #9 (15 AMP)	RELAY #3
	7	BATT+	GREEN	BATTERY POWER	FUSE #5 (10 AMP)	
	8	LB172	RED	BRAKE LIGHTS		
J32 LEFT HEATER SWITCH				CONN P/N AMP# 173851-1		
	1	GND	WHITE	GROUND		
	2	L-H-L	GRAY	LEFT HEATER LOW		
	3	LP70	ORANGE	TO PANEL LIGHTS		
	4	D/H-L	BROWN	DEFROST/HEATER LOW		
	5	D/H-P	BLUE	DEFROST/HEATER SWITCH +	FUSE #1 (15 AMP)	
	6	D-H-L	PURPLE	DRIVER'S HEATER LOW		
	7	D-H-H	TAN	DRIVER'S HEATER HIGH		
	8	L-H-H	YELLOW	LEFT HEATER HIGH	FUSE #22 (20 AMP)	RELAY #12
	9	D/H-H	YELLOW	DEFROST/HEATER HIGH	FUSE #18 (20 AMP)	RELAY #11
	10	D-H-P	BLUE	DRIVER'S HEATER SWITCH +	FUSE #3 (15 AMP)	
	11	L-1SW	BLACK	RELAY LOW DEFROST		RELAY #1
	12	L-H-P	BLUE	LEFT HEATER SWITCH +	FUSE #2 (15 AMP)	

DRAWING NOTE: (REFERENCE)
TO VIEW THE TABLES ON SHEETS 2, 3 & 4
OF THIS DRAWING, USING PRO/ENGINEER,
THE DIAGRAM FILE: 52004778.DGM MUST
BE IN SESSION (OPEN).

THIS DRAWING AND ALL INFORMATION PROVIDED WITH IT,
IS THE PROPERTY OF THOMAS BUILT BUSES, INC.
ANY REPRODUCTION OR DISTRIBUTION OF THIS
MATERIAL OR ANY PART WITHOUT WRITTEN PERMISSION
OF THOMAS BUILT BUSES, INC. IS STRICTLY PROHIBITED.
COPYRIGHT © 1987 THOMAS BUILT BUSES, INC.

B		RELEASED IN NOTE: CHANGED REVISION E TO F ADDED B TO P/N ON BOARD COSMETIC CHANGES TO IMPROVE CLARITY ADDED TABLES ON SHEETS 2, 3 & 4			
REV A ON ERN B18893-303		05/25/01		END	MIG
7075-1		DATE		JTA	BY
LET		REVISION		CF	
THOMAS BUILT BUSES, INC.					
HIGH POINT, NC WOODSTOCK, CANADA					
TOLERANCE UNLESS OTHERWISE NOTED					
THIRD ANGLE PROJECTION	DECIMAL .XXX .015 .XX .06 .X .1	FRACTIONAL ±1/32	ANGULAR ±1°		
PRINTED CIRCUIT BOARD ASSEMBLY I					
DRN. 10/4/00	JEM	MATERIAL: SEE NOTE #1		PROE	
CK'D 10/4/00	JTA	SIZE	DWG. NO. SHEET 4 OF 4		
ENGR/DESIGNER	GEE	B	52004778		
578					



- NOTES:
- 1) MATERIAL: N/A
 - 2) BLANK: N/A
 - 3) CALCULATED WEIGHT: N/A
 - 4) BURRS: N/A
 - 5) FINISH: NONE
 - 6) COLOR: N/A
 - 7) BENDS: N/A
 - 8) WELDS: N/A
 - 9) REFERENCE: N/A

NOTE: THIS REVISION OF THE PHYSICAL BOARD MODEL CORRESPONDS WITH REVISION E OF THE BOARD SCHEMATIC.

DEMINIONS ARE FOR REFERENCE ONLY.

VENDOR INFORMATION:
 AMP
 P. O. BOX 55
 WINSTON-SALEM, NC 27102-0055

THIS DRAWING AND ALL INFORMATION PROVIDED WITH IT, IS THE PROPERTY OF THOMAS BUILT BUSES, INC. ANY REPRODUCTION OR DISTRIBUTION OF THIS MATERIAL OR ANY PART HEREOF WITHOUT WRITTEN PERMISSION OF THOMAS BUILT BUSES, INC. IS STRICTLY PROHIBITED. COPYRIGHT © 1991 THOMAS BUILT BUSES, INC.

A		RELEASED			
				10/4/00	JEM
				818893-303	
LET	REVISION	DATE	BY	CF	
THOMAS BUILT BUSES, INC.					
HIGH POINT, NC			WOODSTOCK, CANADA		
TOLERANCE UNLESS OTHERWISE NOTED					
THIRD ANGLE PROJECTION	DECIMAL	FRACTIONAL	ANGULAR		
	.xxx .015 .xx .06 .x .1	±1/32	±1°		
PRINTED CIRCUIT BOARD ASSEMBLY 1					
DRN. 10/4/00	JEM	MATERIAL: SEE NOTE #1		PRO-E	
CK'D 10/4/00	JTA	SIZE	DWG. NO. SHEET 1 OF 1		
ENGR/DESIGNER	JTA	B	52004778		
5/8					