

---

Document ID: 1583296

---

## #02-05-26-001C: Info - Rear Parking Brake Shoe Retaining Spring Clip Service Kit for Drum-in-Hat (DIH) Equipped Vehicles - (Jan 19, 2005)

Subject: Rear Parking Brake Shoe Retaining Spring Clip Service Kit for Drum-in-Hat (DIH) Equipped Vehicles

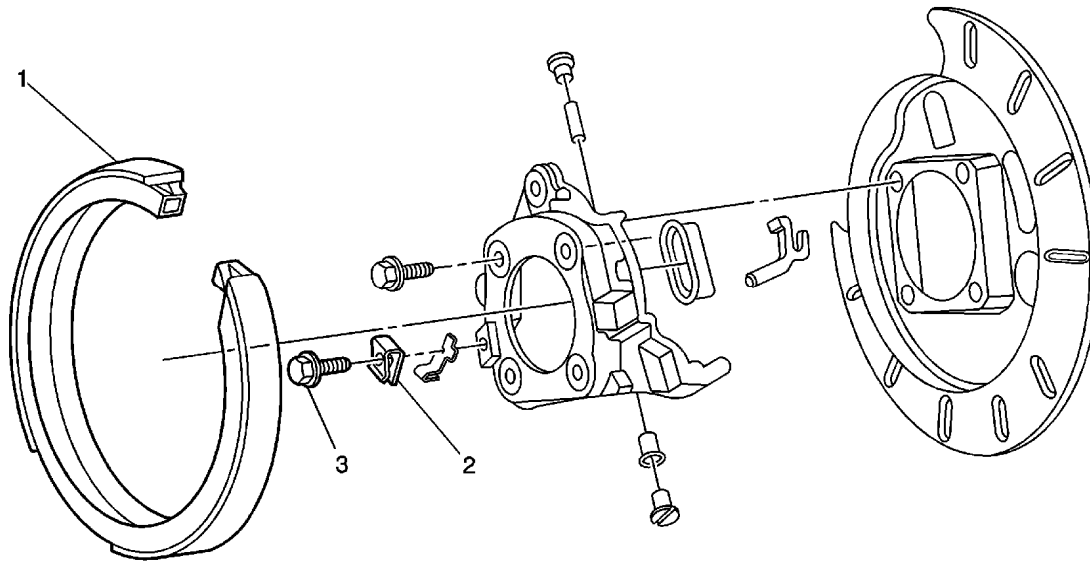


Models: 2004-2005 Buick Rainier  
2002-2005 Cadillac Escalade Models  
*2002-2005 Chevrolet Avalanche*  
1998-2005 Chevrolet Blazer  
1999-2005 Chevrolet Silverado Models  
2000-2005 Chevrolet Suburban, Tahoe  
2002-2005 Chevrolet SSR, TrailBlazer Models  
2003-2005 Chevrolet Astro, Express  
1998-2005 GMC Jimmy  
1999-2005 GMC Sierra Models  
2000-2005 GMC Yukon Models  
2002-2005 GMC Envoy Models  
2003-2005 GMC Safari, Savana  
1998-2004 Oldsmobile Bravada  
*This Bulletin ONLY applies to 1500 series vehicles with four wheel disc brakes.*

---

This bulletin is being revised to include additional models and clarify parts usage information. Please discard Corporate Bulletin Number 02-05-26-001B (Section 05 -- Brakes).

---



A rear parking brake retaining spring clip kit has been released for service. This kit consists of two parking brake hold down spring clips (2) and bolts (3).

**Notice:** Use J 46277 Rotor Removal Tool with J 6125-B Slide Hammer to remove the rotor from the vehicle. Place J 46277 between the rotor surfaces in the vent section of the rotor. **DO NOT** place J 46277 on the back side of the rotor surface, it may damage the rotor surface.

During rear brake rotor removal, it is possible to damage the parking brake shoe retaining spring clip. Order this new kit when replacement of the clips is required but the parking brake shoes do not require replacement.

**Important:** The spring clip kits mentioned in this bulletin do not address any parking brake concerns. Refer to the Parking Brakes sub-section of the Service Manual for any diagnostic information.

### Parts Information

| Part Number | Description  | Qty |
|-------------|--|-----|
| 88936340    | Spring Clip, Parking Brake Retainer Kit (1998-2000 S/T Classic Models) | 1   |
| 88936342    | Spring Clip, Parking Brake Retainer Kit (2001-2005 S/T Classic Models) | 1   |
| 88935748    | Spring Clip, Parking Brake Retainer Kit (2002-2005 S/T Models, SSR)    | 1   |
| 88982879    | Spring Clip, Parking Brake Retainer Kit (C/K, M/L, G Models)           | 1   |

Parts are currently available from GMSP0.

## Warranty Information

When removal of the rear brake rotors results in damage to the spring clips on vehicles under warranty, use the following labor operation in conjunction with one of the kit part numbers listed above.

| Labor Operation | Description                                 | Labor Time |
|-----------------|---|------------|
| H2956           | Parking Brake Shoe Retaining Clip - Replace | 0.9 hr     |
| Add:            | To Sand or Grind DIH (ONE SIDE)             | 0.2 hr     |
| Add:            | To Sand or Grind DIH (BOTH SIDES)           | 0.3 hr     |
| Add:            | To Sand Brake Shoes (ONE OR BOTH SIDES)     | 0.1 hr     |

GM bulletins are intended for use by professional technicians, NOT a "do-it-yourselfer". They are written to inform these technicians of conditions that may occur on some vehicles, or to provide information that could assist in the proper service of a vehicle. Properly trained technicians have the equipment, tools, safety instructions, and know-how to do a job properly and safely. If a condition is described, DO NOT assume that the bulletin applies to your vehicle, or that your vehicle will have that condition. See your GM dealer for information on whether your vehicle may benefit from the information.



WE SUPPORT  
VOLUNTARY  
TECHNICIAN  
CERTIFICATION