

EA02-025

FORD 10/27/03

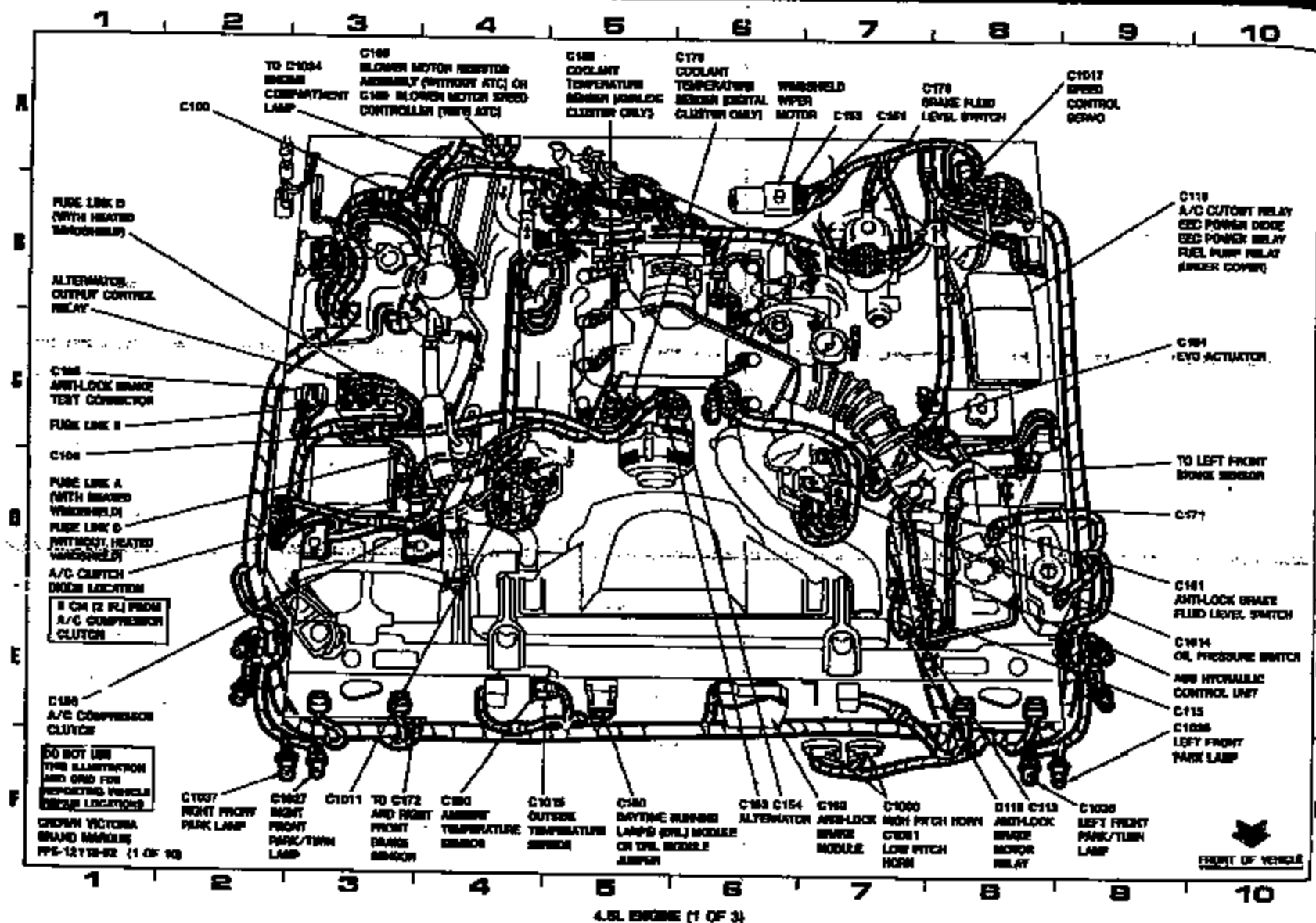
APPENDIX N

BOOK 40

PART 3 OF 8

151-1

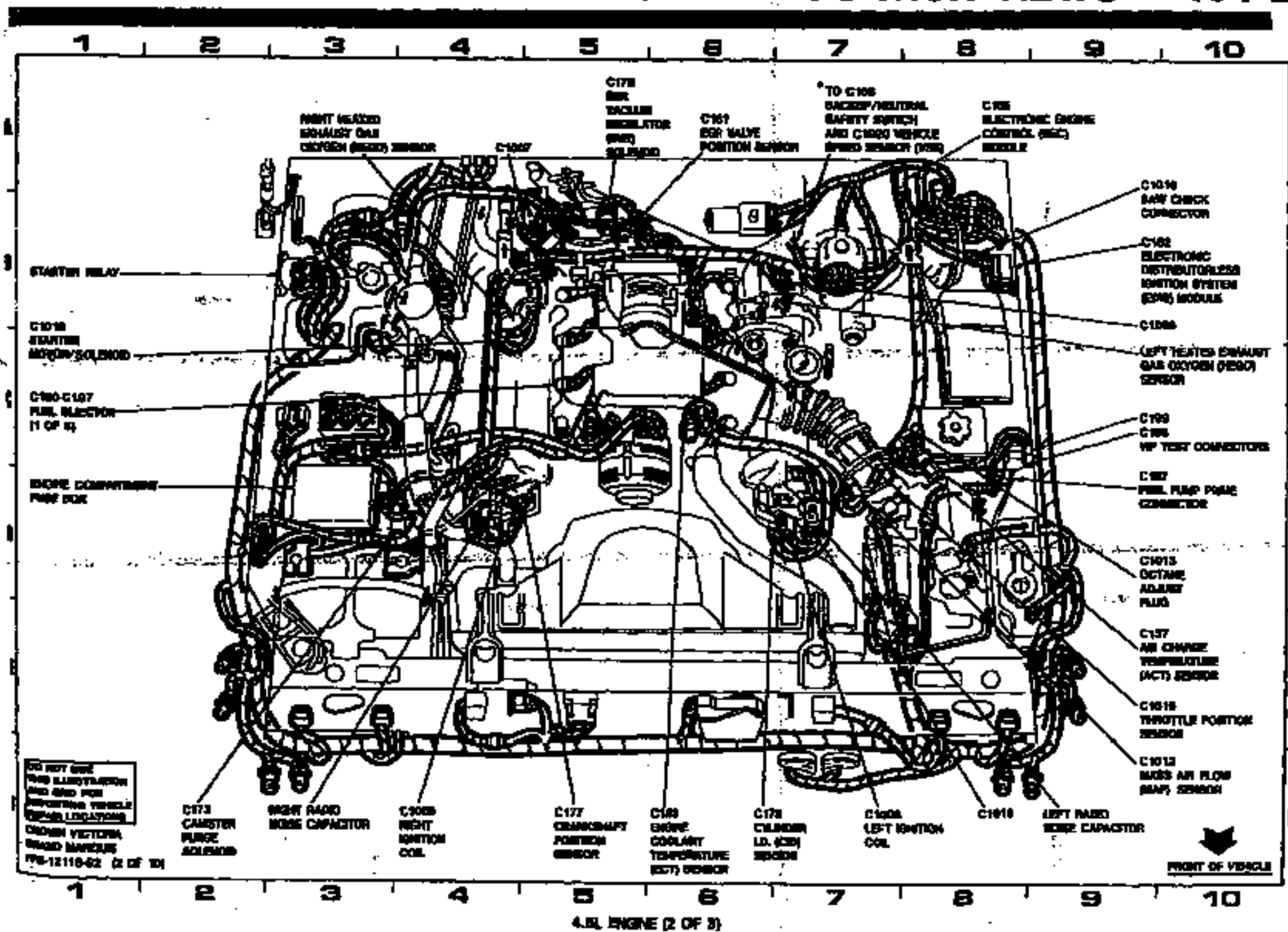
COMPONENT LOCATION VIEWS



EPC-029 3318

17726V

COMPONENT LOCATION VIEWS 151-2

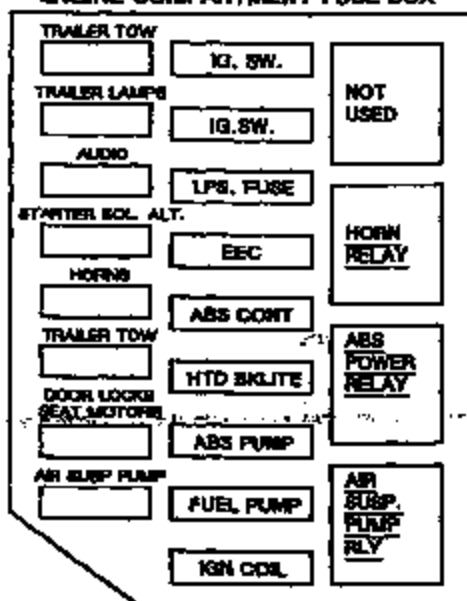


151-12110-02 3318

17728V

11-3 CIRCUIT PROTECTION/FUSE PANEL

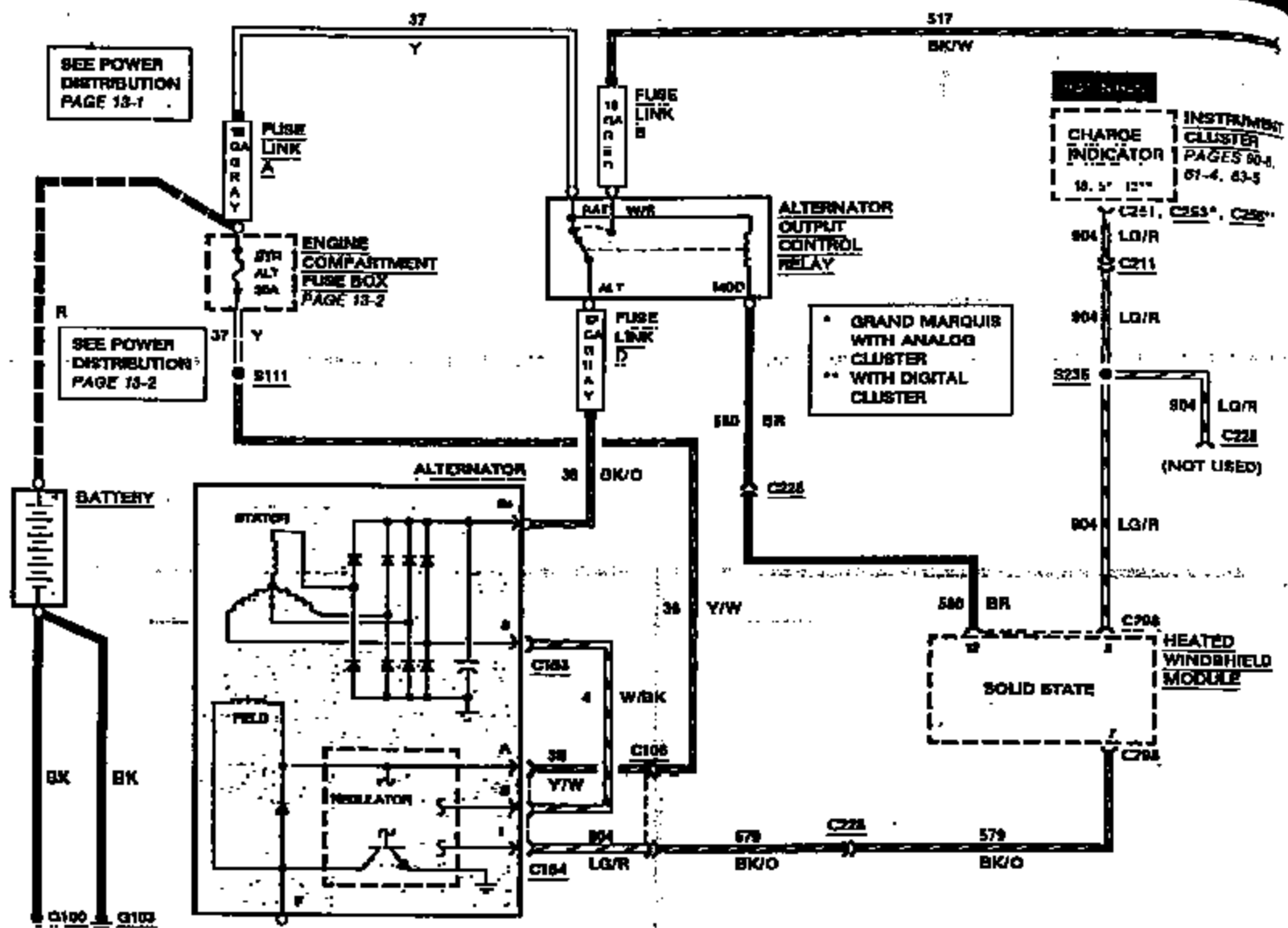
ENGINE COMPARTMENT FUSE BOX



AMPERE RATING	HOUSING COLOR
BLADE TYPE FUSE	
4	Pink
5	Tan
10	Red
15	Light Blue
20	Yellow
25	Natural
30	Light Green
MAXI-FUSE	
20	Yellow
30	Light Green
40	Amber
50	Red
60	Blue

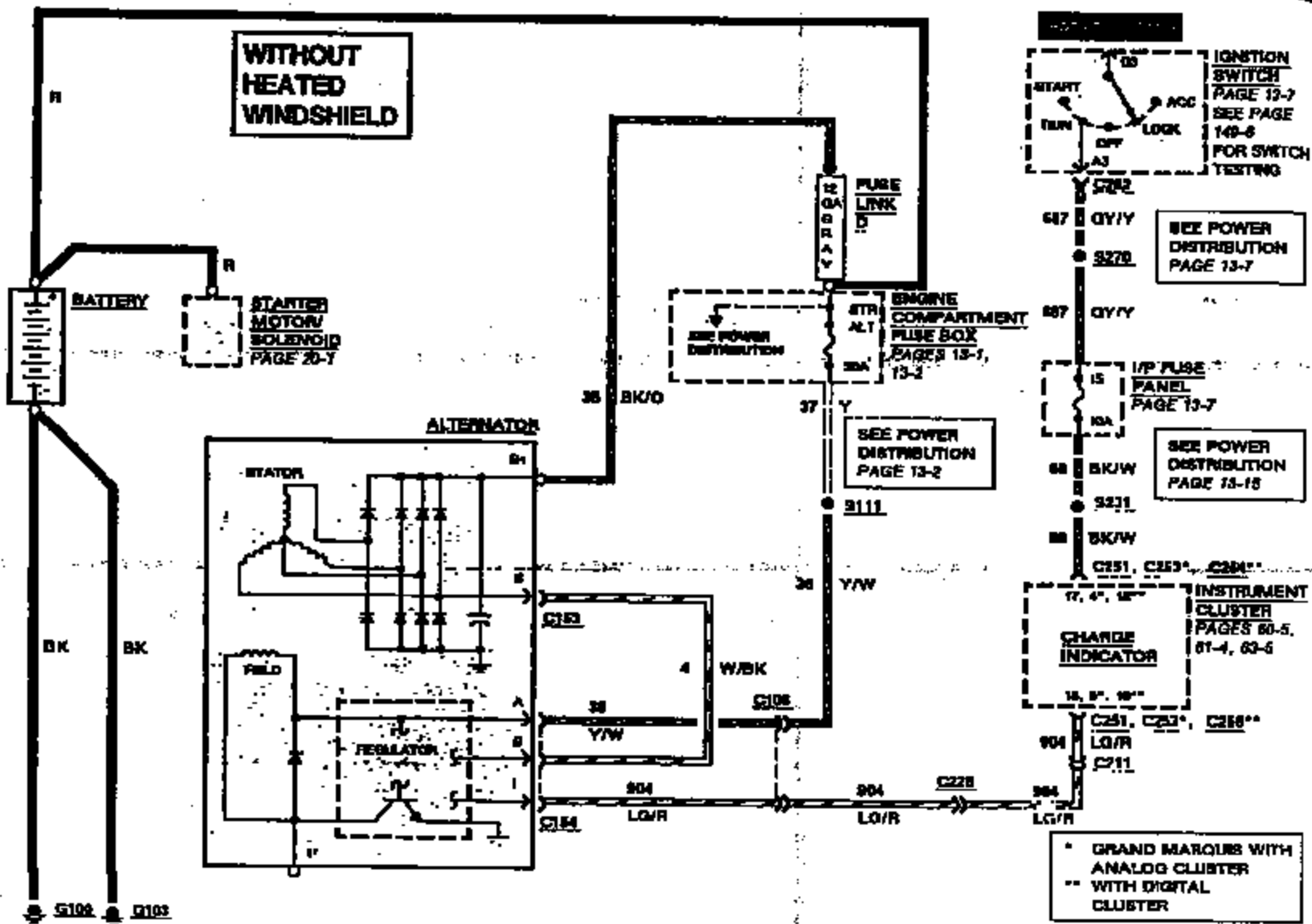
MAXI-FUSE	AMPS	CIRCUITS PROTECTED	PAGE
IG. SW.	60	See Fuses 6, 13, 16, 17 and Circuit Breaker 12	13-7, 13-4
IG. SW.	50	Starter Relay, Also see Fuses 1, 7, 10, 15, 18	13-7
LAMPS FUSE PANEL	40	Headlamps, Daytime Running Lamps, Also see Fuses 4, 5, 8, 9	13-6
EEC	30	EEC Power Relay	13-5
ABS CONTROLLER	30	Anti-Lock Brake Module	13-5
HTD BACKLITE	40	Rear Window Defrost	13-8
ABS PUMP	50	Anti-Lock Brake Pump Motor Relay	13-5
FUEL PUMP	20	Electric Fuel Pump, EEC Module KA PWR	13-5
IGN COIL	20	Left and Right Ignition Coils	13-11
AIR SUSP PUMP	30	Air Suspension Compressor, Air Spring Solenoids	13-4
FUSE	AMPS	CIRCUITS PROTECTED	PAGE
TRAILER TOW	30	Electric Brake Controller	13-1
TRAILER LAMPS	20	Trailer Turn, Exterior Lamp Relays	13-1
AUDIO	25	Radio Amplifier, Subwoofer Amplifier	13-2
STARTER SOL. ALT.	30	Starter Relay, Alternator	13-2
HORNS	16	Horn Relay, Horns	13-2
TRAILER TOW	30	Trailer Battery Charging Relay	13-1
CIRCUIT BREAKER	AMPS	CIRCUITS PROTECTED	PAGE
DOOR LOCKS/ SEAT MOTORS	30	Power Door Locks, Power Seats	13-3

57-1 HEATED WINDSHIELD



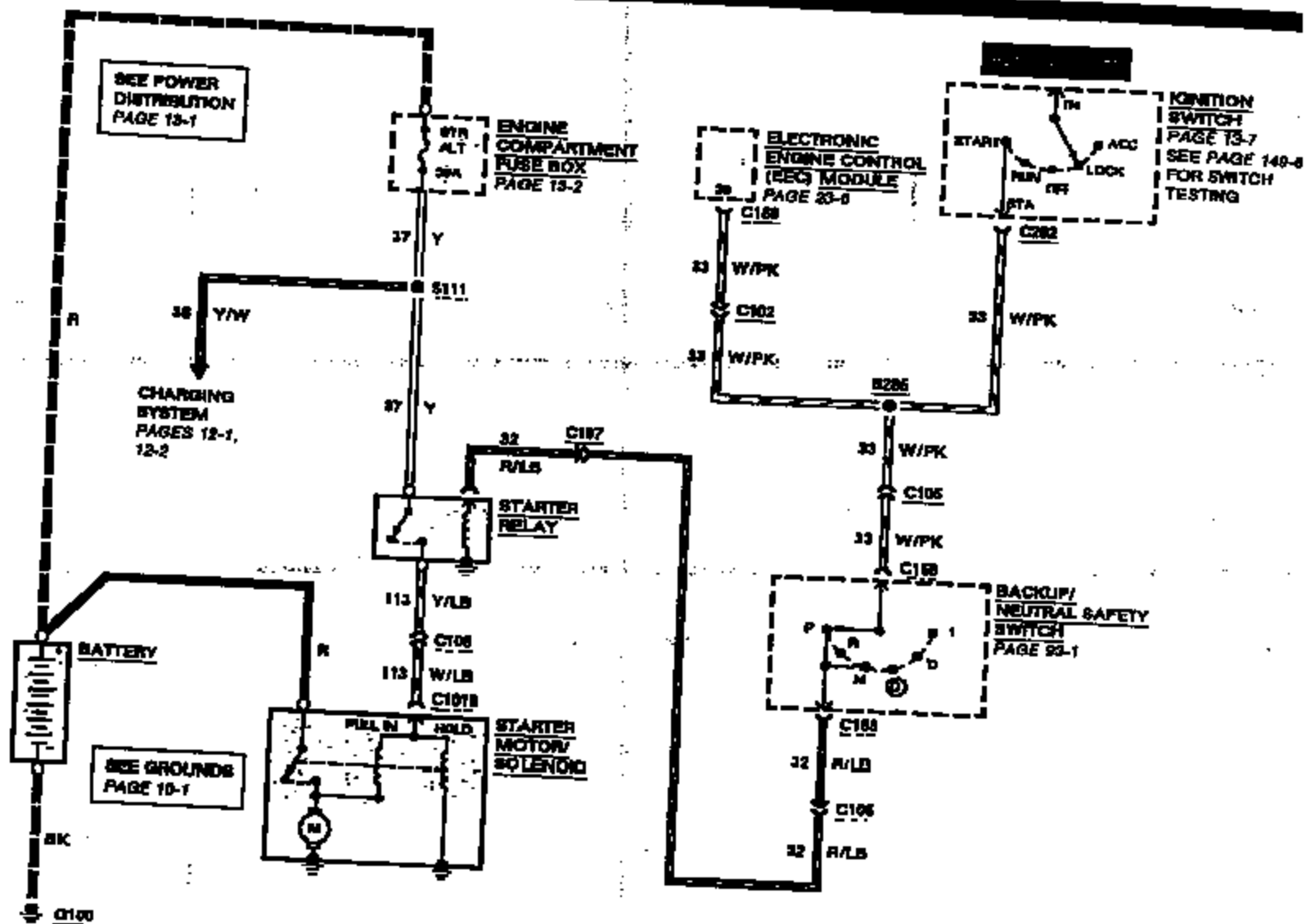
EMG-825 3972

12-1 CHARGING SYSTEM

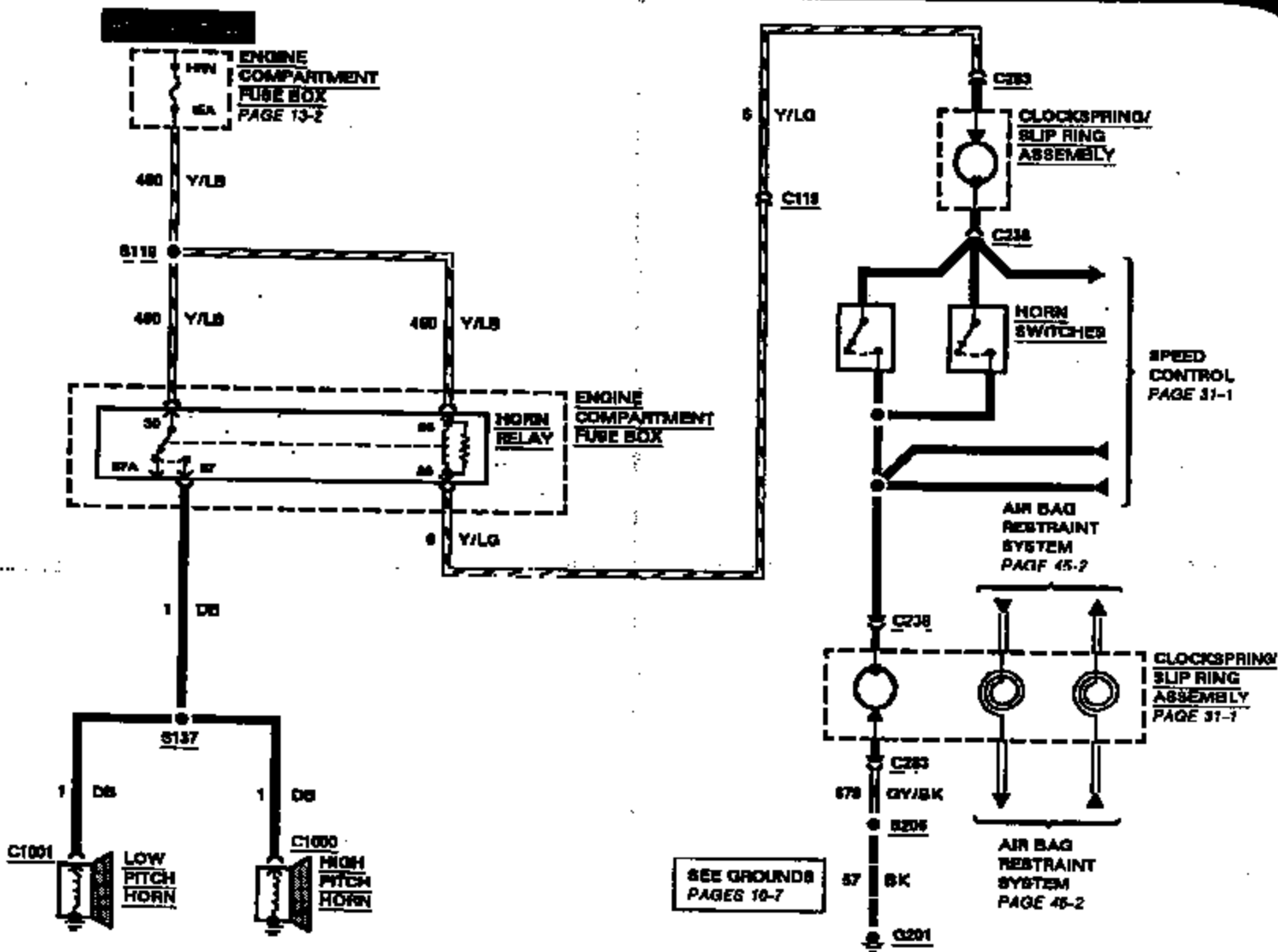


EMG-625 3323

20-1 STARTING SYSTEM

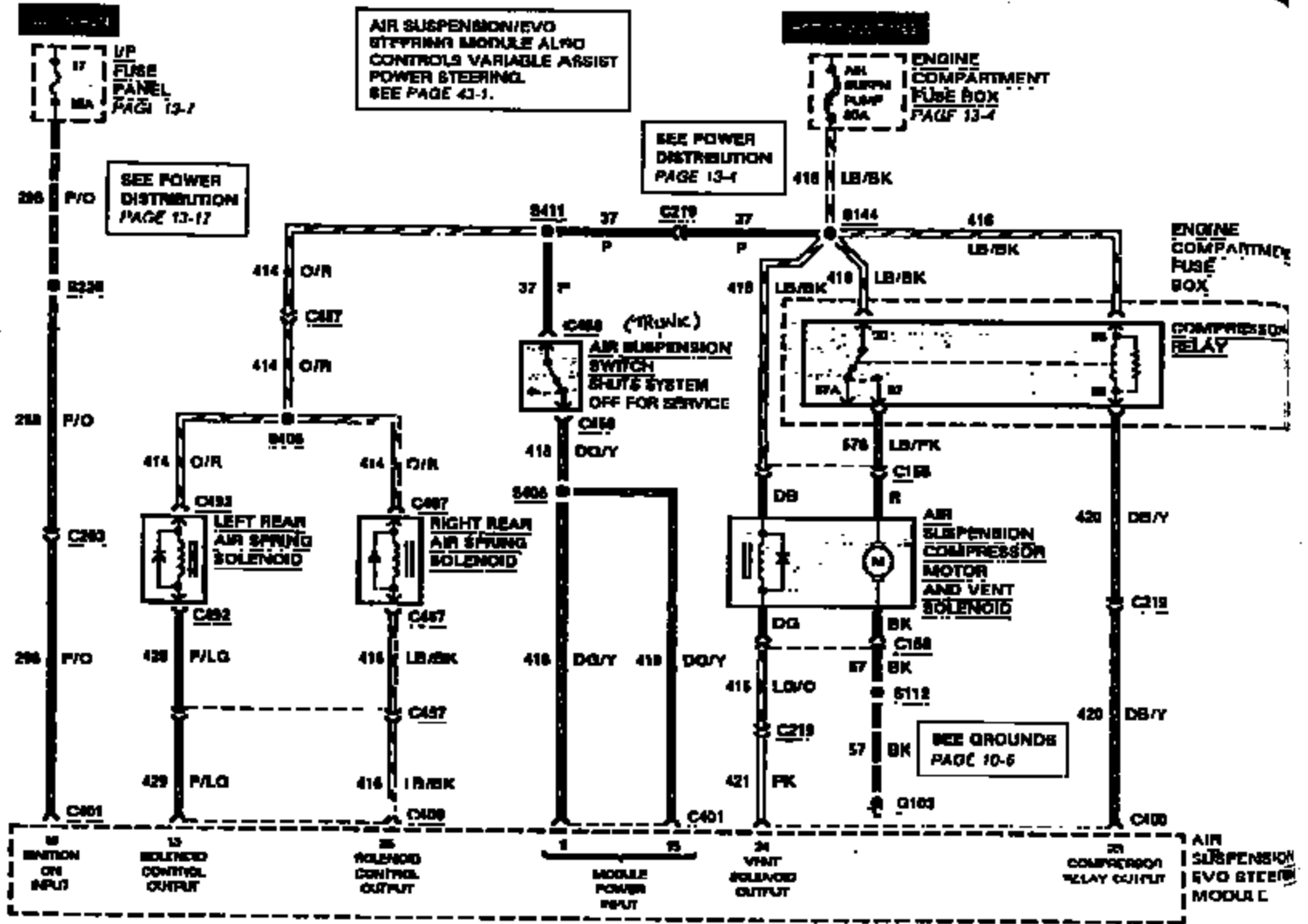


44-1 HORNS/CIGAR LIGHTER/CLOCK



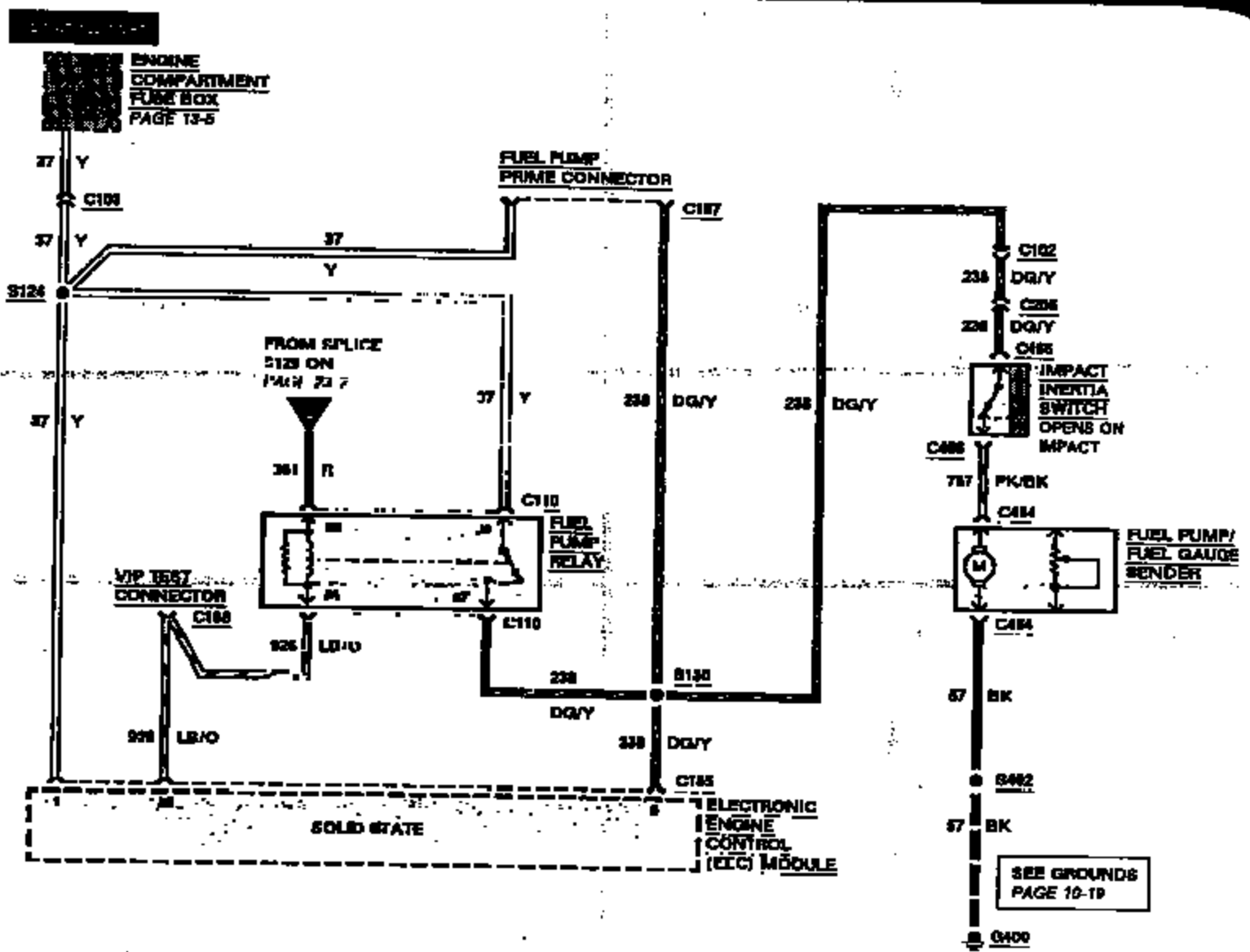
ENR2-025 3978

41-1 AIR SUSPENSION



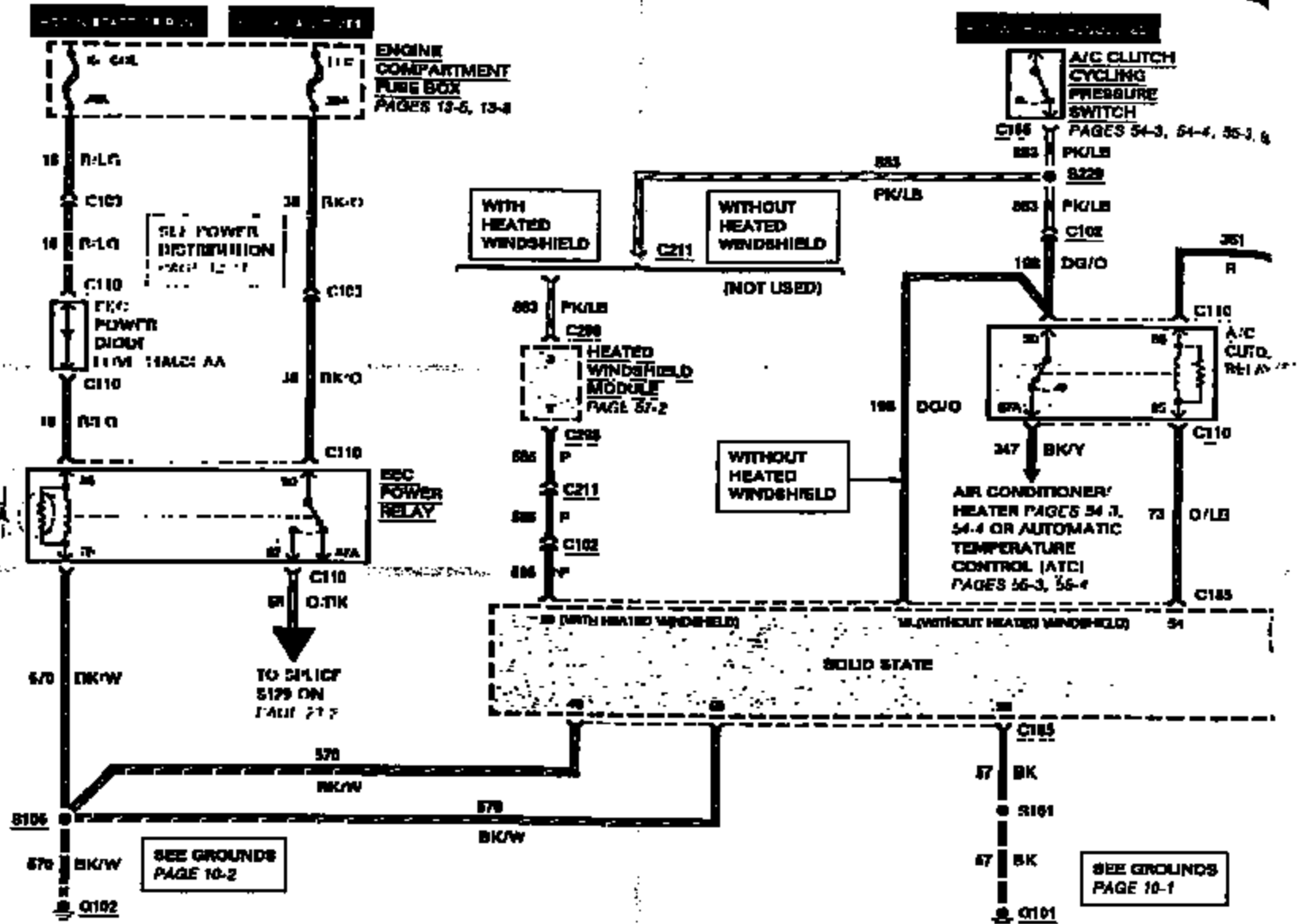
3229-028-028 3329

23-7 ELECTRONIC ENGINE CONTROL



23-7-23-7

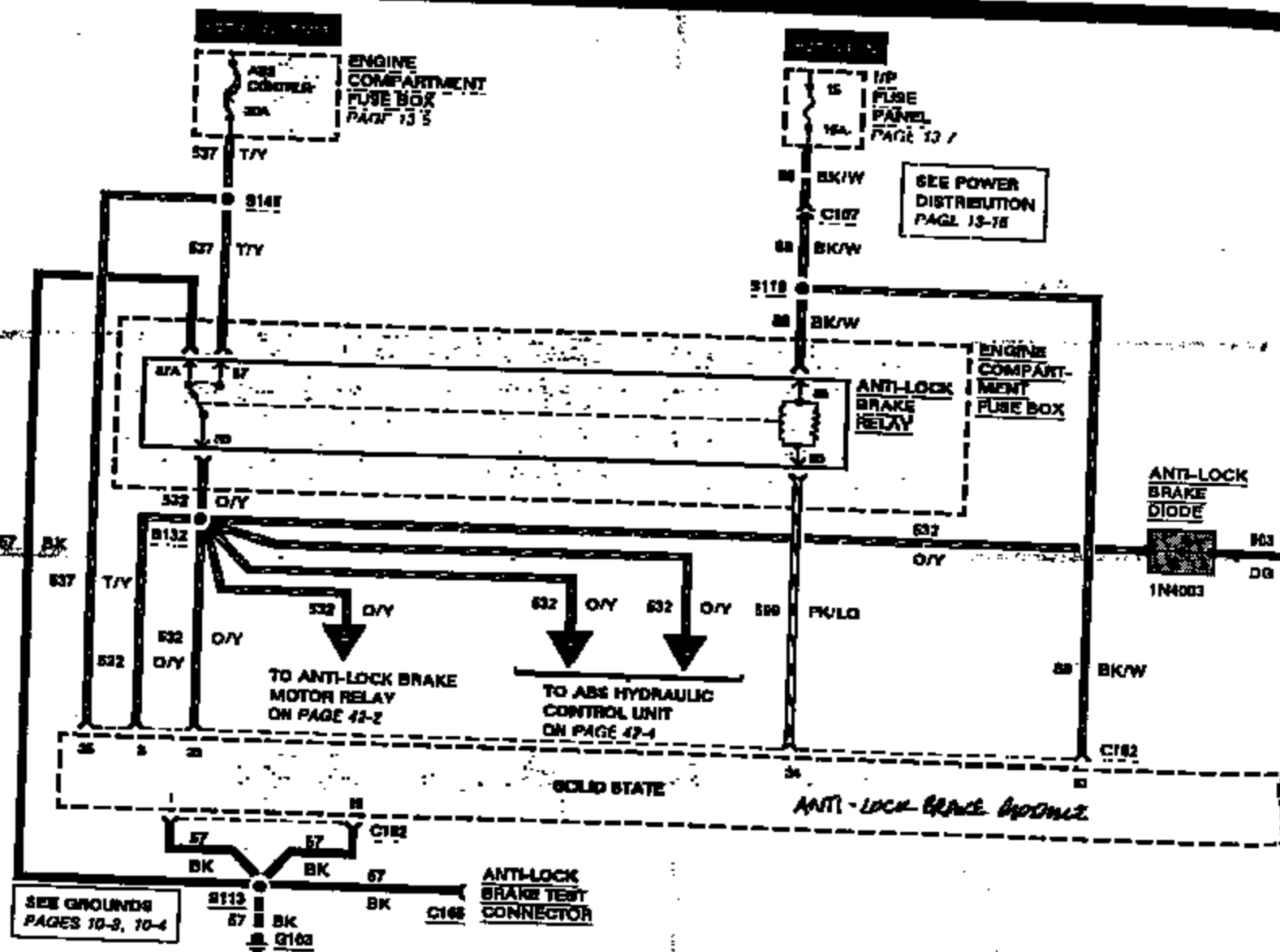
23-1 ELECTRONIC ENGINE CONTROL



ENG-825 3328

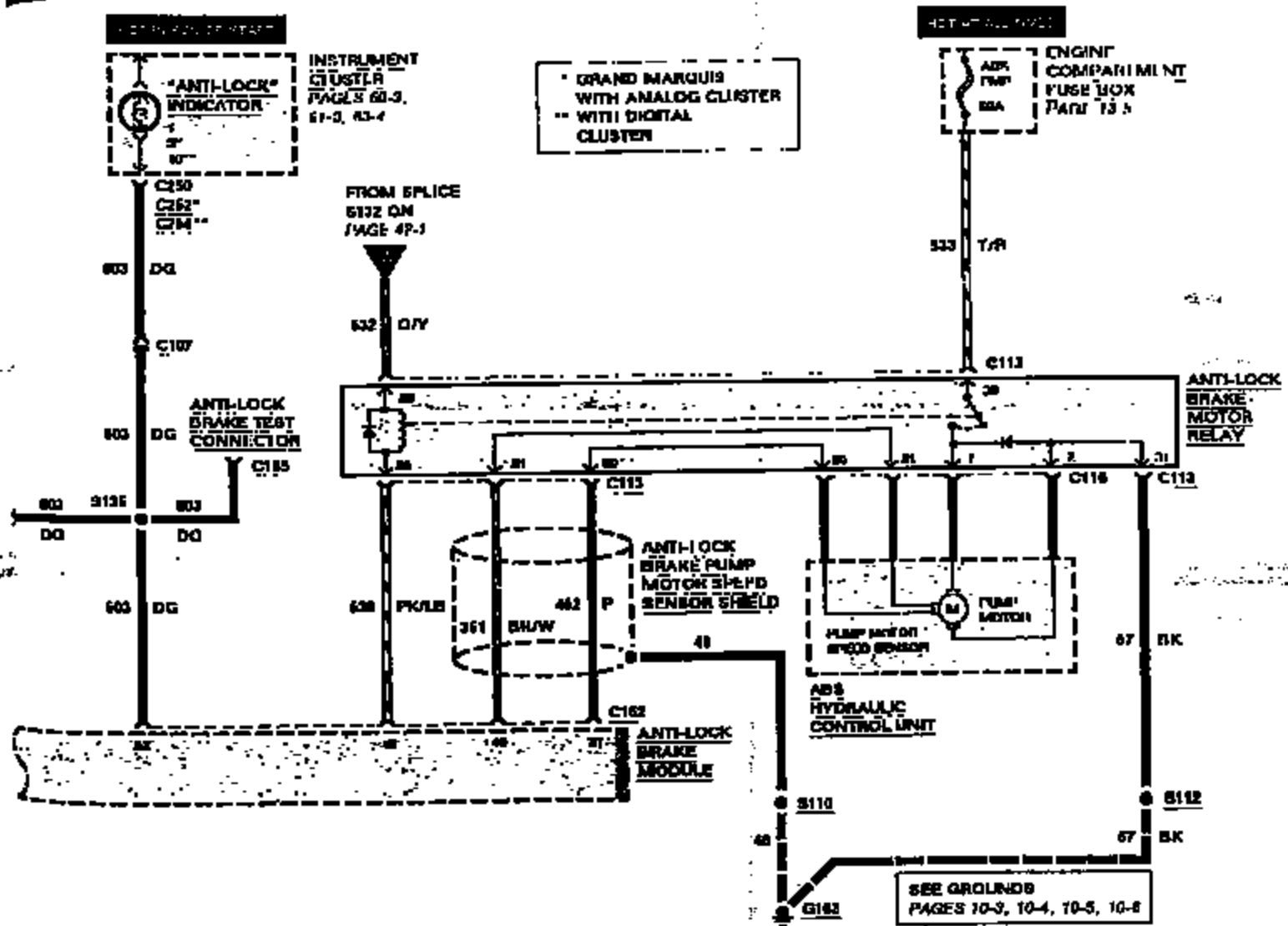
1992EN

42-1 ANTI-LOCK BRAKE SYSTEM WITH TRACTION ASSIST



EMR-825 3329

ANTI-LOCK BRAKE SYSTEM WITH TRACTION ASSIST 42-2

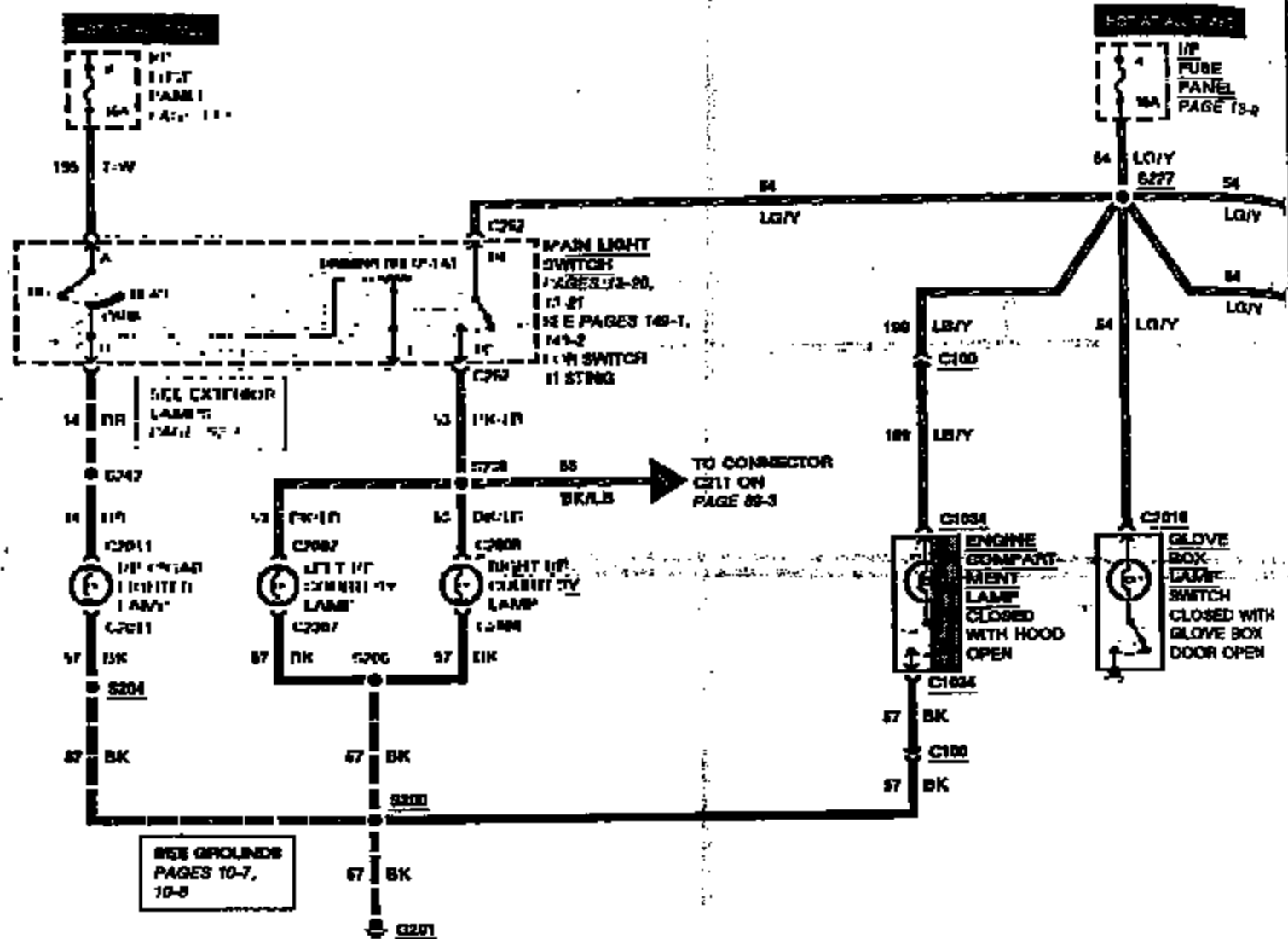


SEE GROUNDS
PAGES 10-3, 10-4, 10-5, 10-8

D102-025 3338

1952 ON

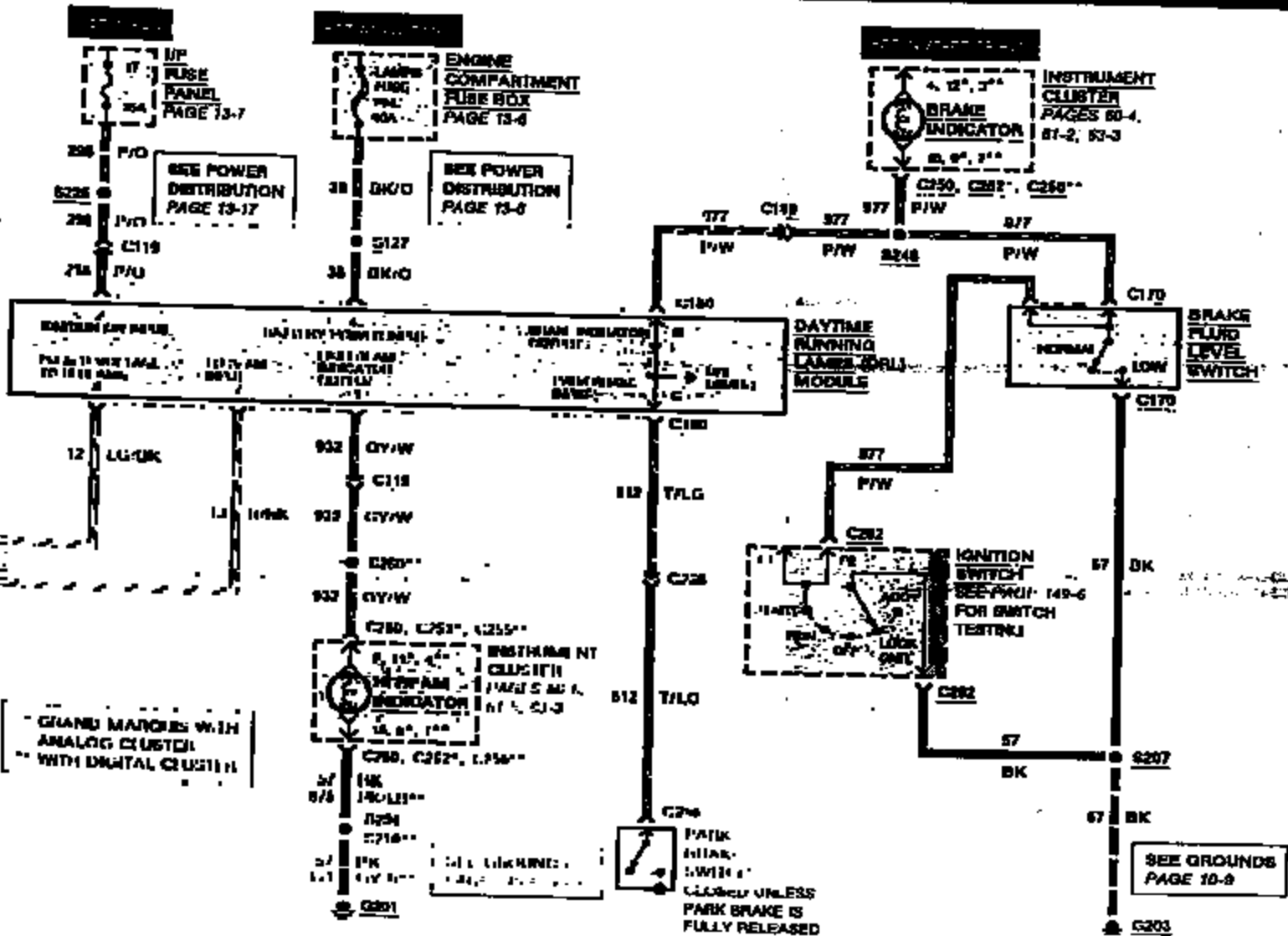
89-1 COURTESY LAMPS



EM92-825 3301

1752 EN

DAYTIME RUNNING LAMPS (CANADIAN VEHICLES ONLY) 97-2

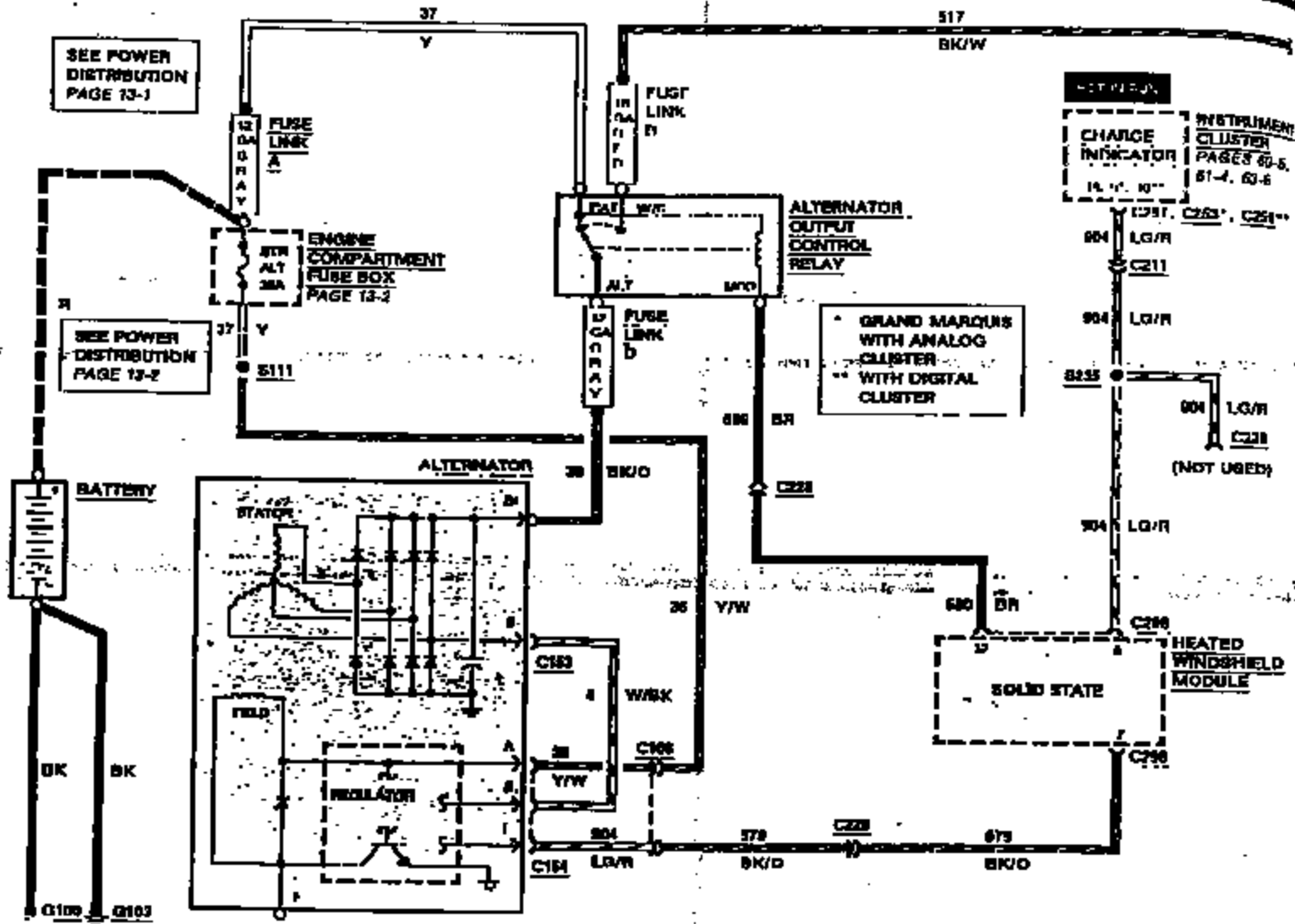


97-2-825 3332

F92 EN

57-1 HEATED WINDSHIELD

192 CU/CM



SEE POWER DISTRIBUTION PAGE 13-1

SEE POWER DISTRIBUTION PAGE 13-2

NOT USED

CHARGE INDICATOR
14, 15, 10**

INSTRUMENT CLUSTER
PAGES 80-8, 81-4, 83-6

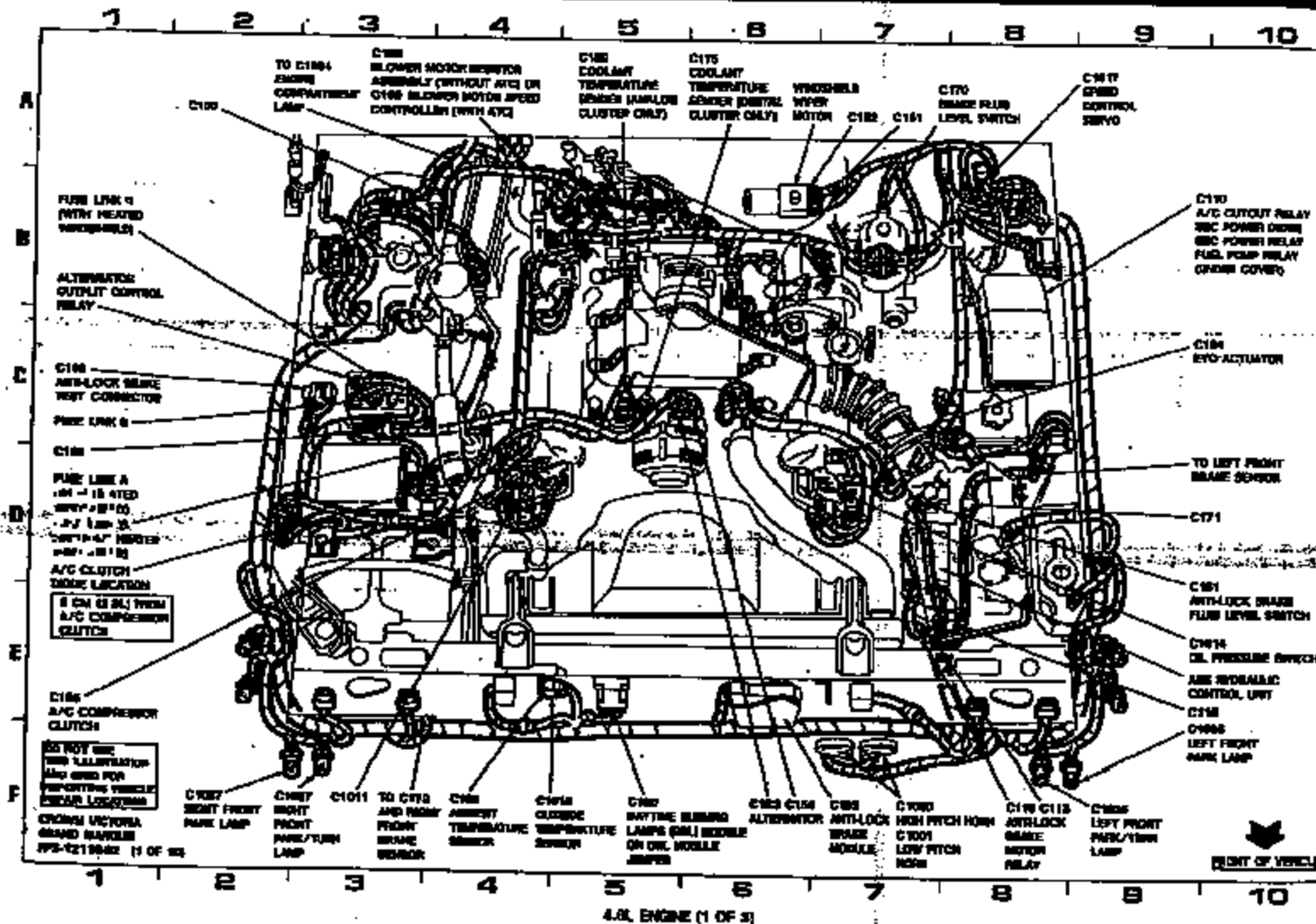
GRAND MARQUIS WITH ANALOG CLUSTER
WITH DIGITAL CLUSTER

SOLID STATE
HEATED WINDSHIELD MODULE

ENG-428-3333

1992 GM

151-1 COMPONENT LOCATION VIEWS

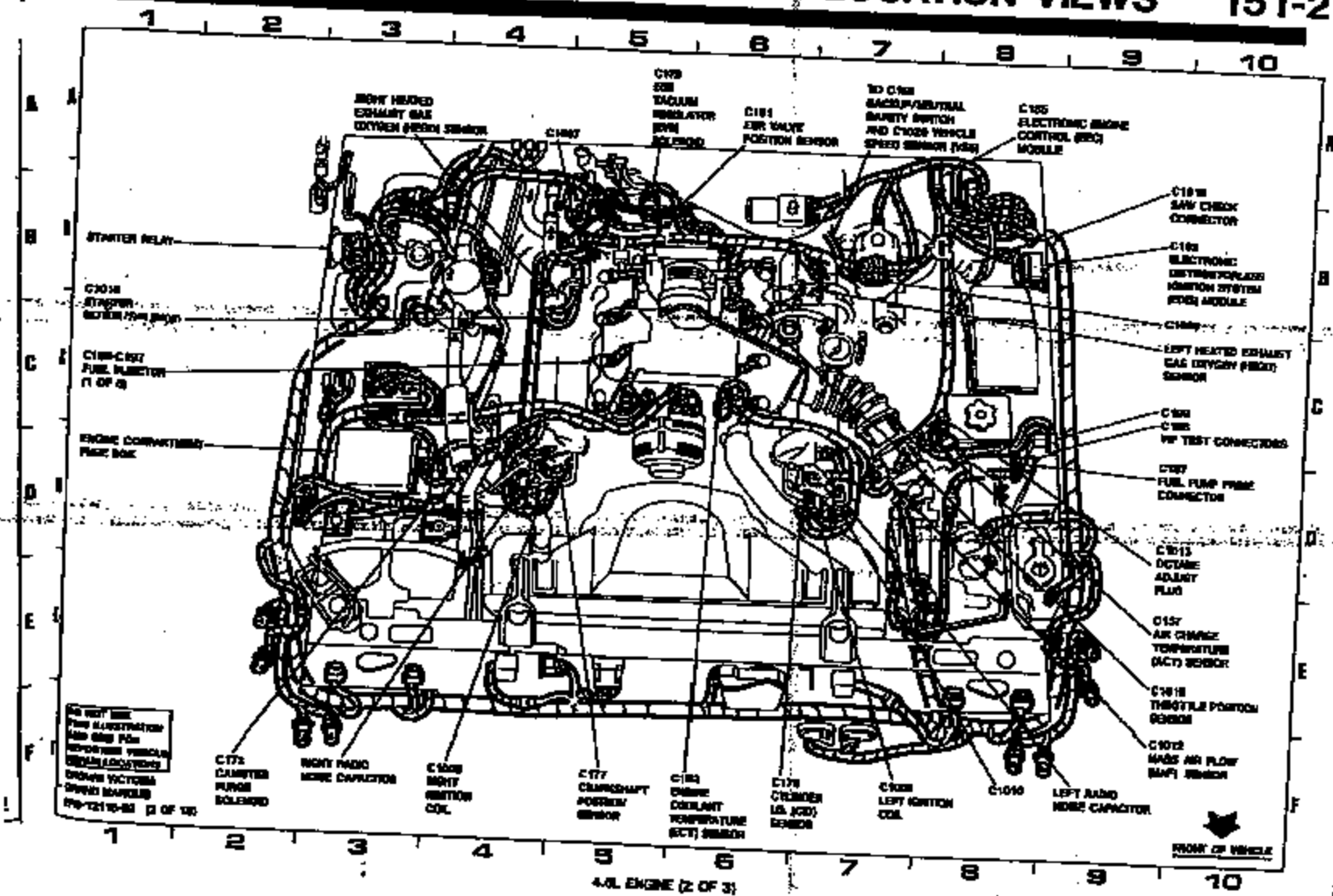


The Air Filter and Fuel Filter are not shown

EM2-625 3394

752 EV

COMPONENT LOCATION VIEWS 151-2

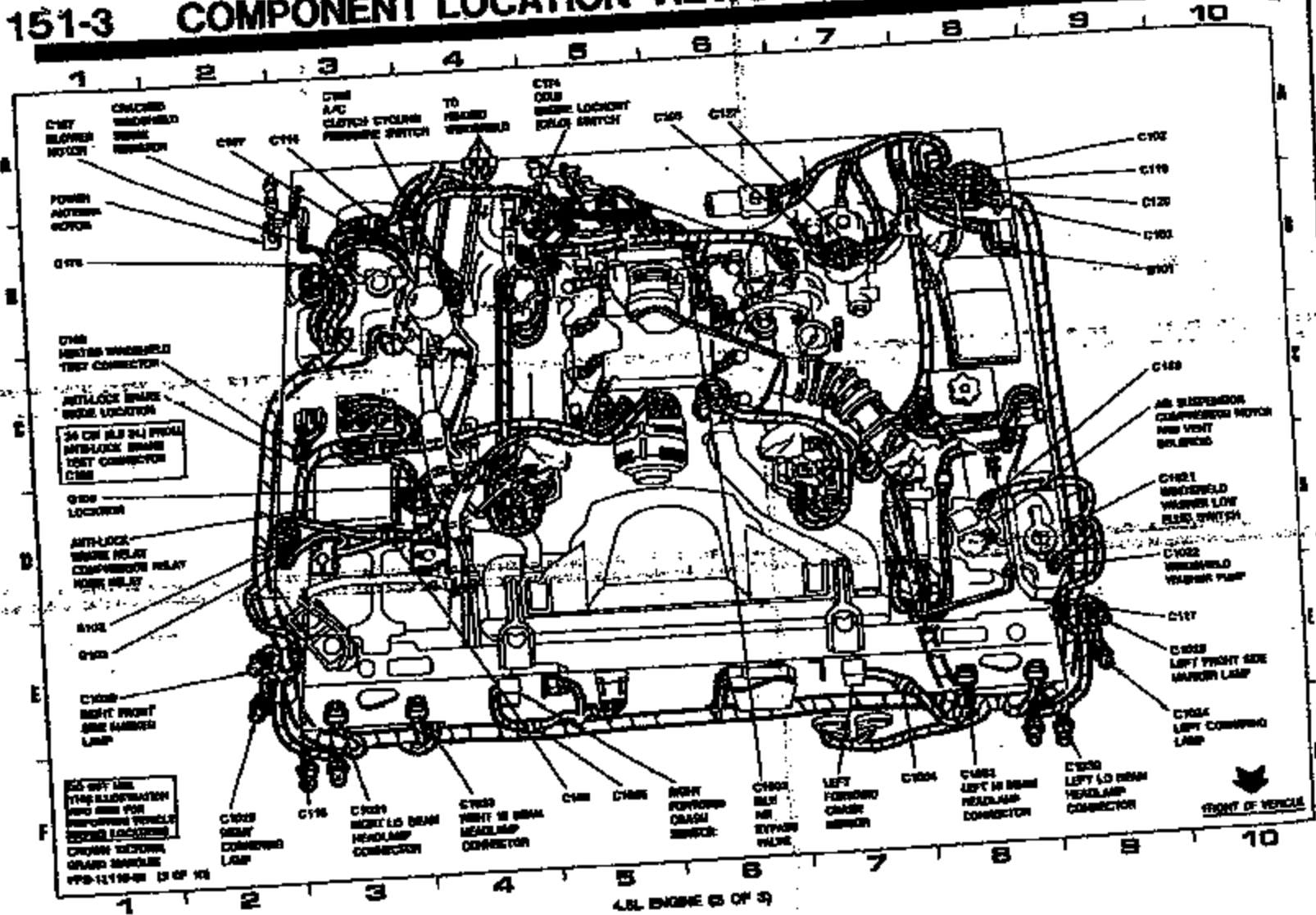


ENG-425 3335

1772-BV

151-3

COMPONENT LOCATION VIEWS

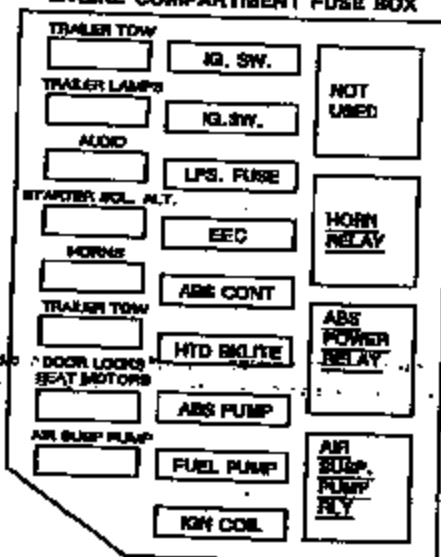


EM-2-825 3000

PALEN

11-3 CIRCUIT PROTECTION/FUSE PANEL

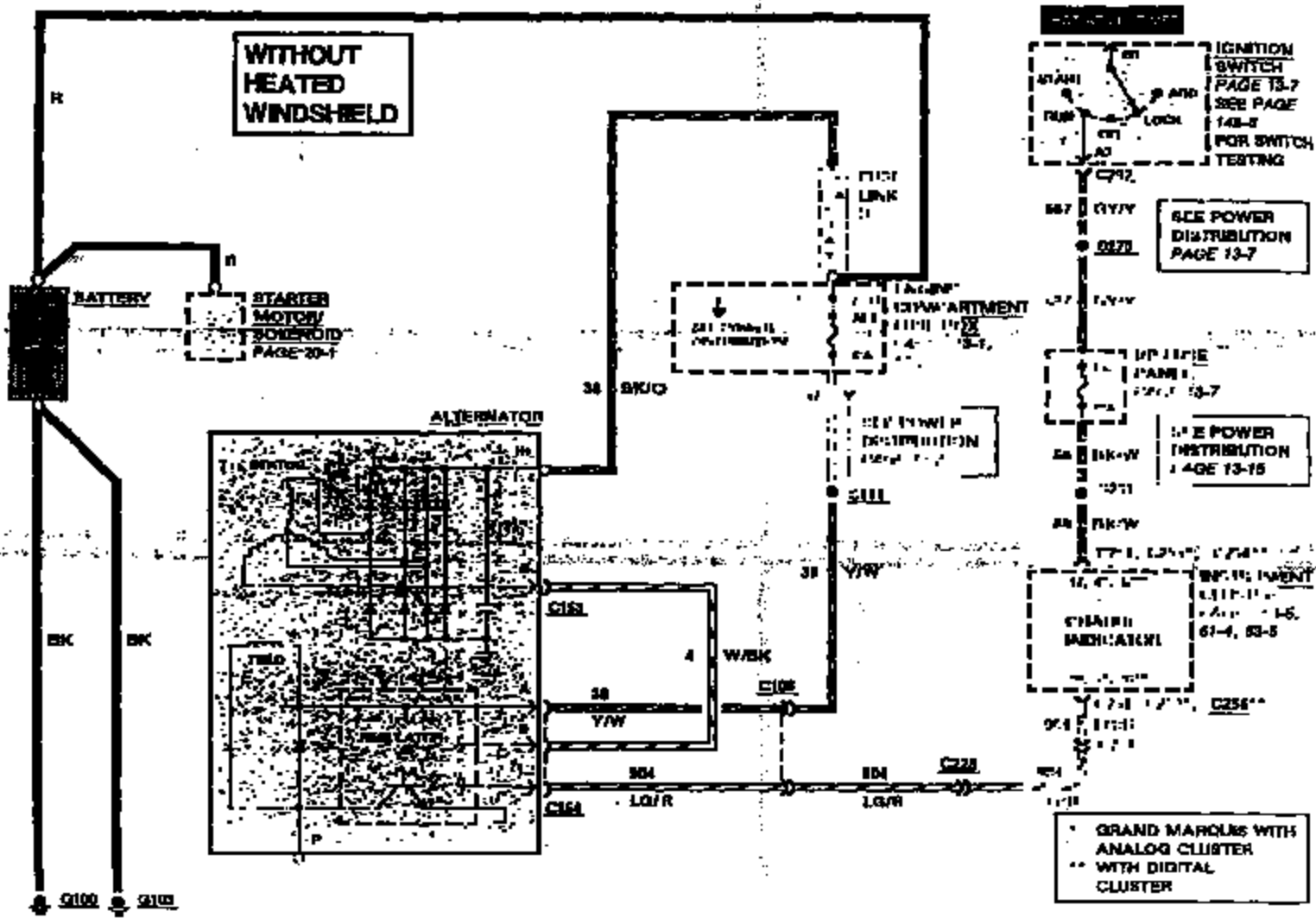
ENGINE COMPARTMENT FUSE BOX



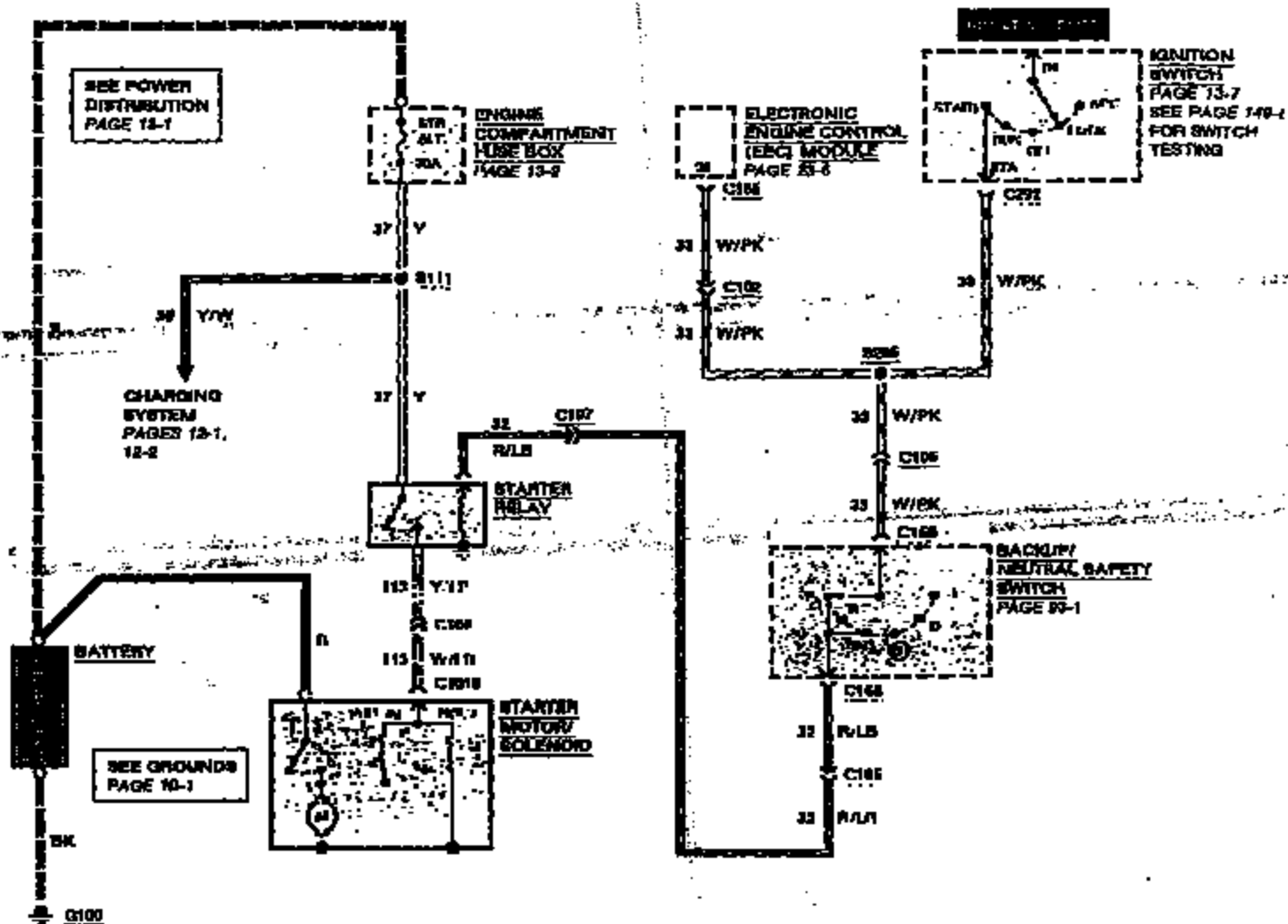
MAXI-FUSE	AMPS	CIRCUITS PROTECTED	PAGE
IG. SW.	60	See Fuses 6, 13, 16, 17 and Circuit Breaker 12	13-7, 13-8
IG. SW.	60	Starter Relay. Also see Fuses 1, 7, 10, 15, 18	13-7
LAMPS FUSE PANEL	40	Headlamps, Daytime Running Lamps. Also see Fuses 4, 5, 8, 9	13-6
EEC	30	EEC Power Relay	13-5
ABS CONTROLLER	30	Anti-Lock Brake Module	13-5
HTD BACKLITE	40	Rear Window Defrost	13-6
ABS PUMP	50	Anti-Lock Brake Pump Motor Relay	13-6
FUEL PUMP	20	Electric Fuel Pump, EEC Module KA PWR	13-5
IGN COIL	20	Left and Right Ignition Coils	13-11
AIR SUSP PUMP	30	Air Suspension Compressor, Air Spring Solenoids	13-4
FUSE	AMPS	CIRCUITS PROTECTED	PAGE
TRAILER TOW	30	Electric Brake Controller	13-1
TRAILER LAMPS	20	Trailer Turn/Exterior Lamp Relays	13-1
AUDIO	25	Radio Amplifier, Subwoofer Amplifier	13-2
STARTER SOL. ALT.	30	Starter Relay, Alternator	13-2
HORNS	15	Horn Relay, Horns	13-2
TRAILER TOW	30	Trailer Battery Charging Relay	13-1
CIRCUIT BREAKER	AMPS	CIRCUITS PROTECTED	PAGE
DOOR LOCKS/ SEAT MOTORS	30	Power Door Locks, Power Seats	13-3

AMPERE RATING	HOUSING COLOR
BLADE TYPE FUSE	
4	Pink
5	Tan
10	Red
15	Light Blue
20	Yellow
25	Natural
30	Light Green
MAXI-FUSE	
20	Yellow
30	Light Green
40	Amber
50	Red
60	Blue

12-1 CHARGING SYSTEM



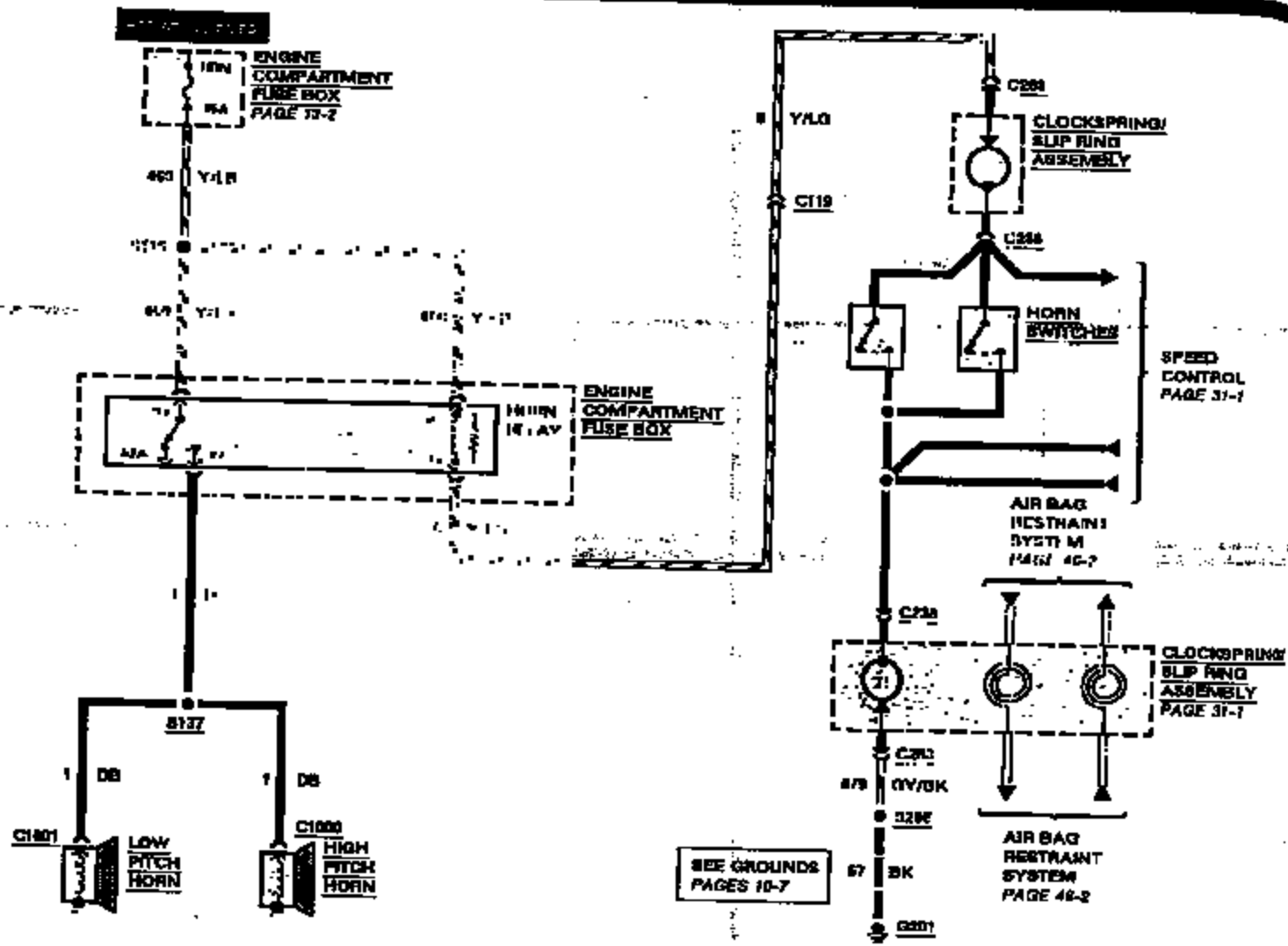
20-1 STARTING SYSTEM



EM-2-828-2348

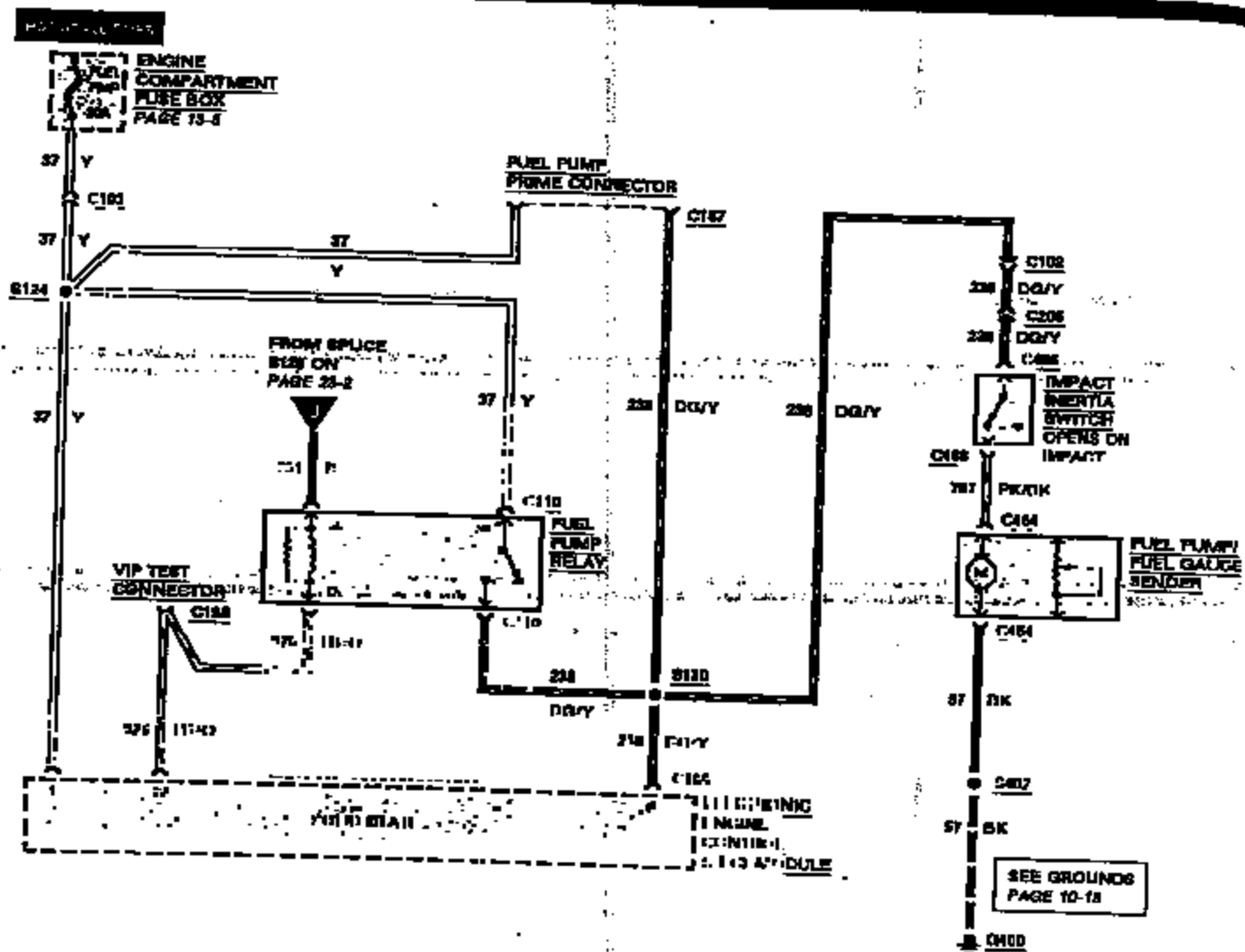
1976

44-1 HORNS/CIGAR LIGHTER/CLOCK



EM2-025 3341

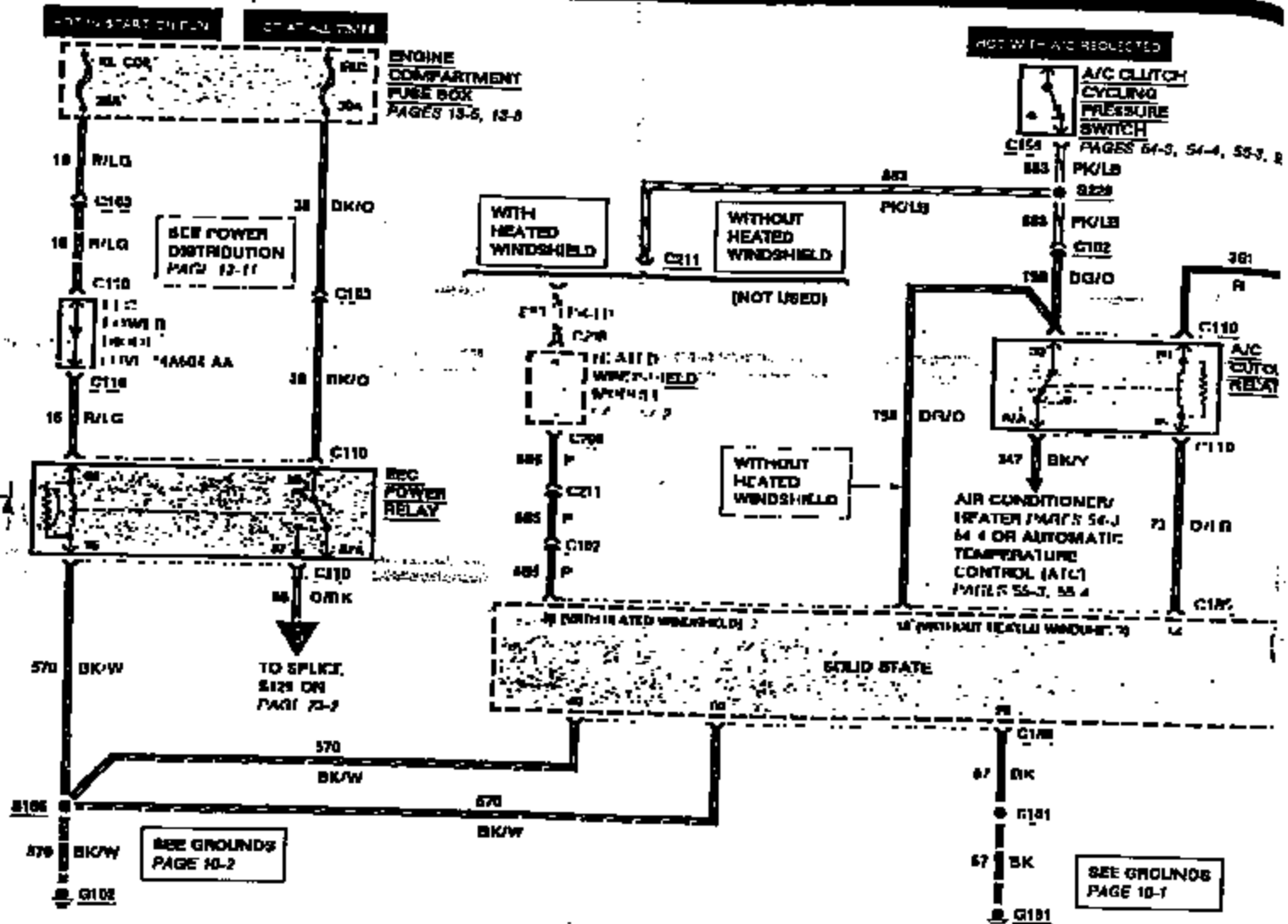
23-7 ELECTRONIC ENGINE CONTROL



EMC-825 3043

ASLEN

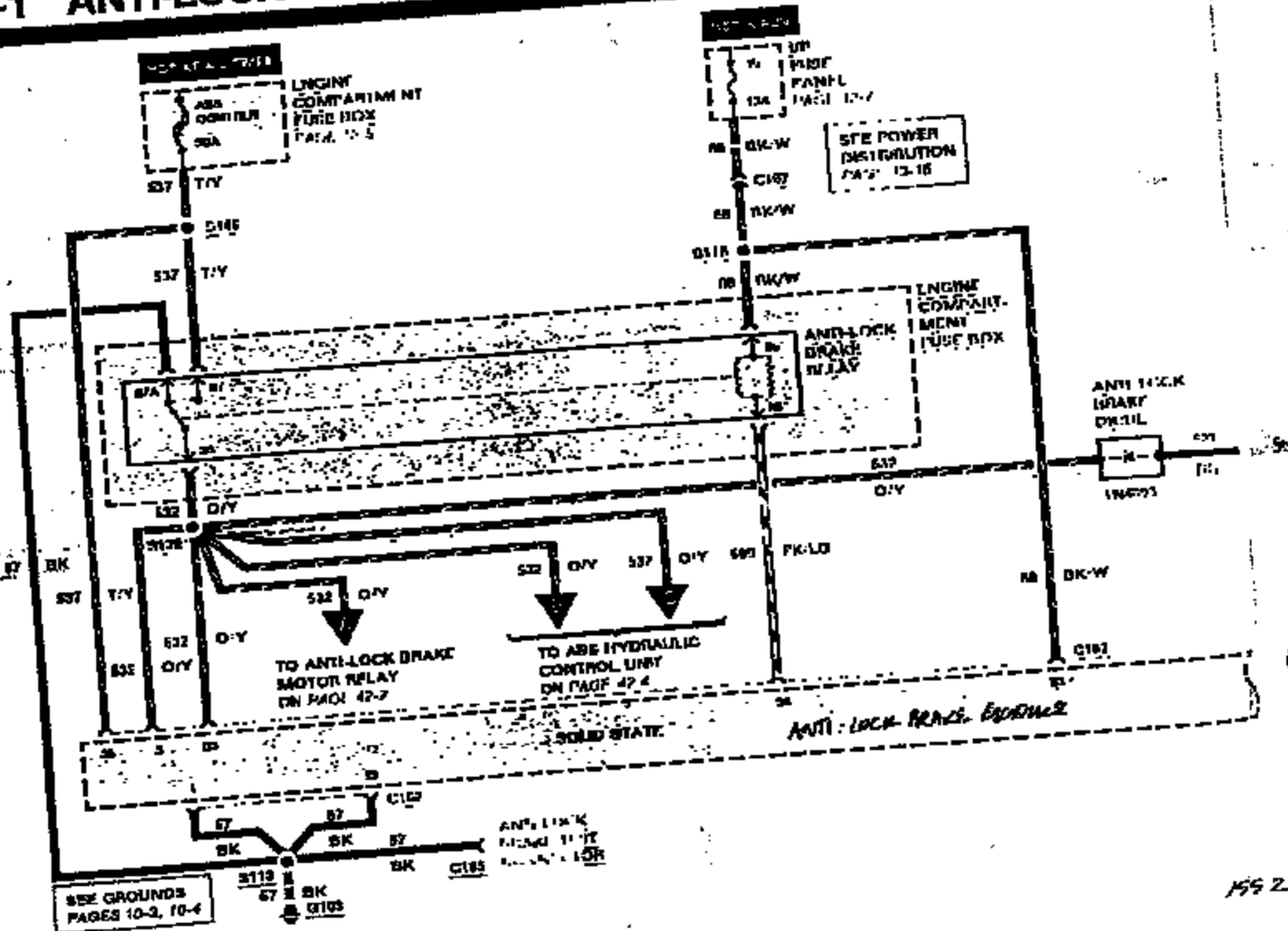
23-1 ELECTRONIC ENGINE CONTROL



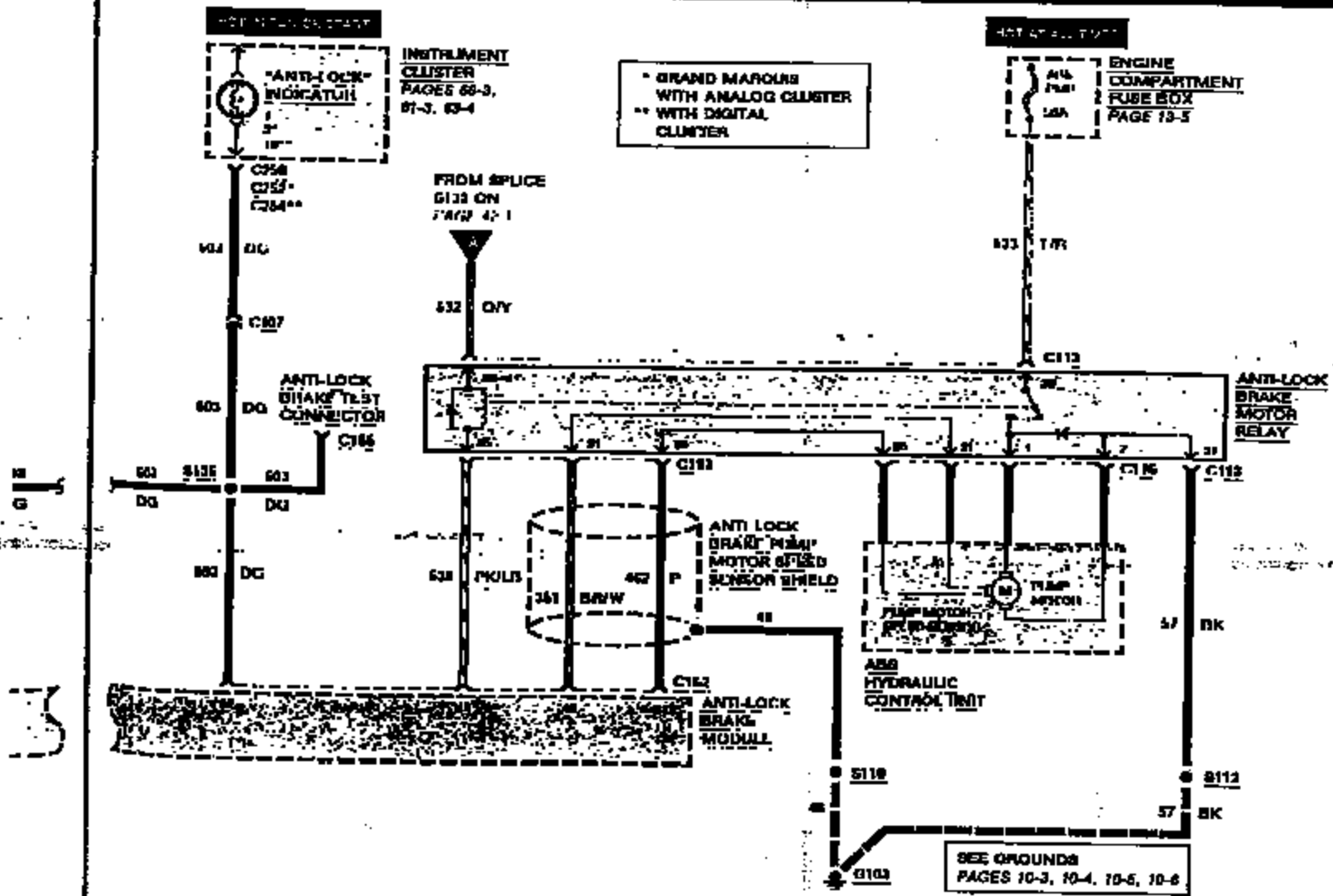
ENR2-823 3344

1952EN

42-1 ANTI-LOCK BRAKE SYSTEM WITH TRACTION ASSIST



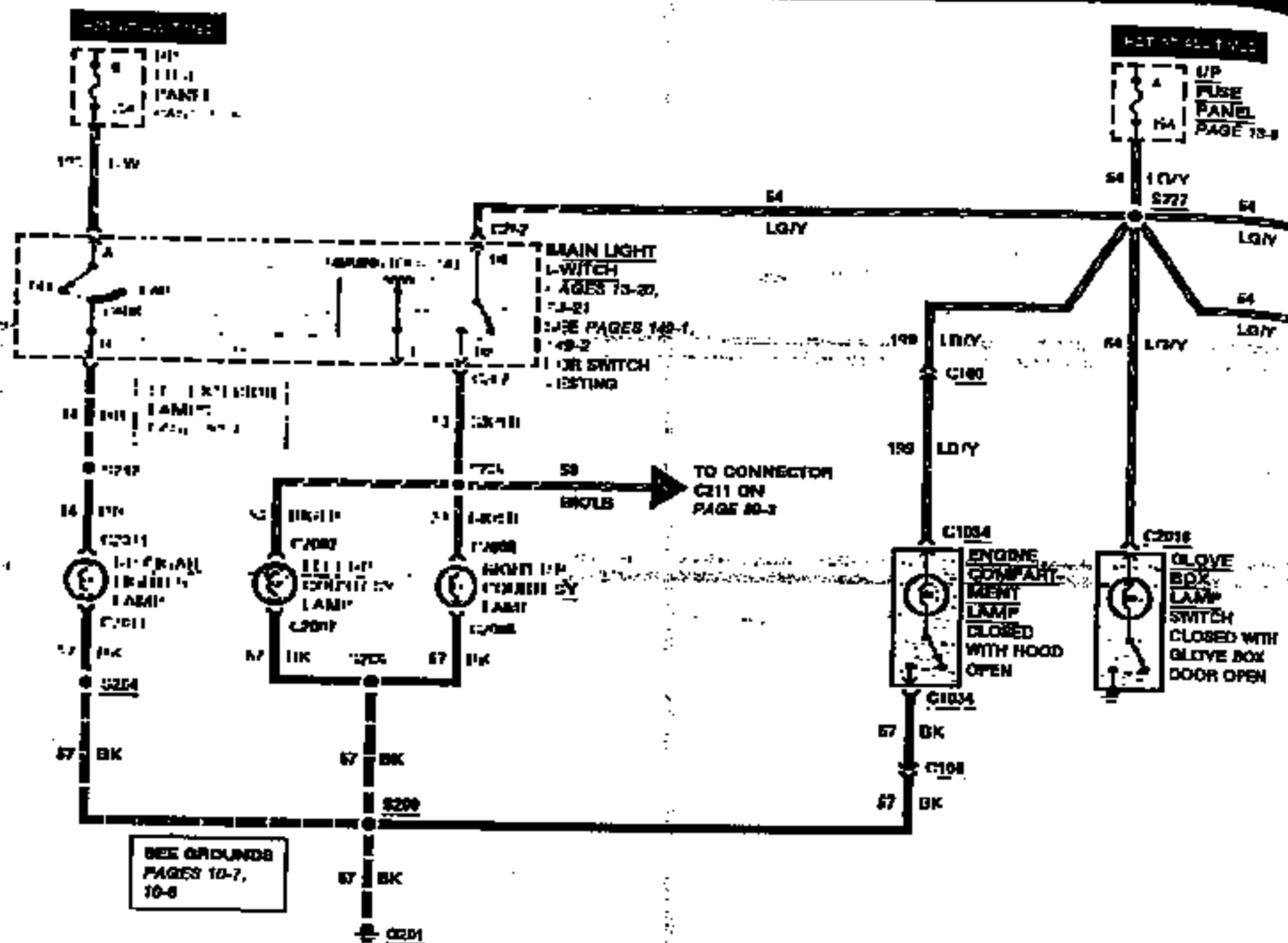
ANTI-LOCK BRAKE SYSTEM WITH TRACTION ASSIST 42-2



EM02-423 3348

1952 EN

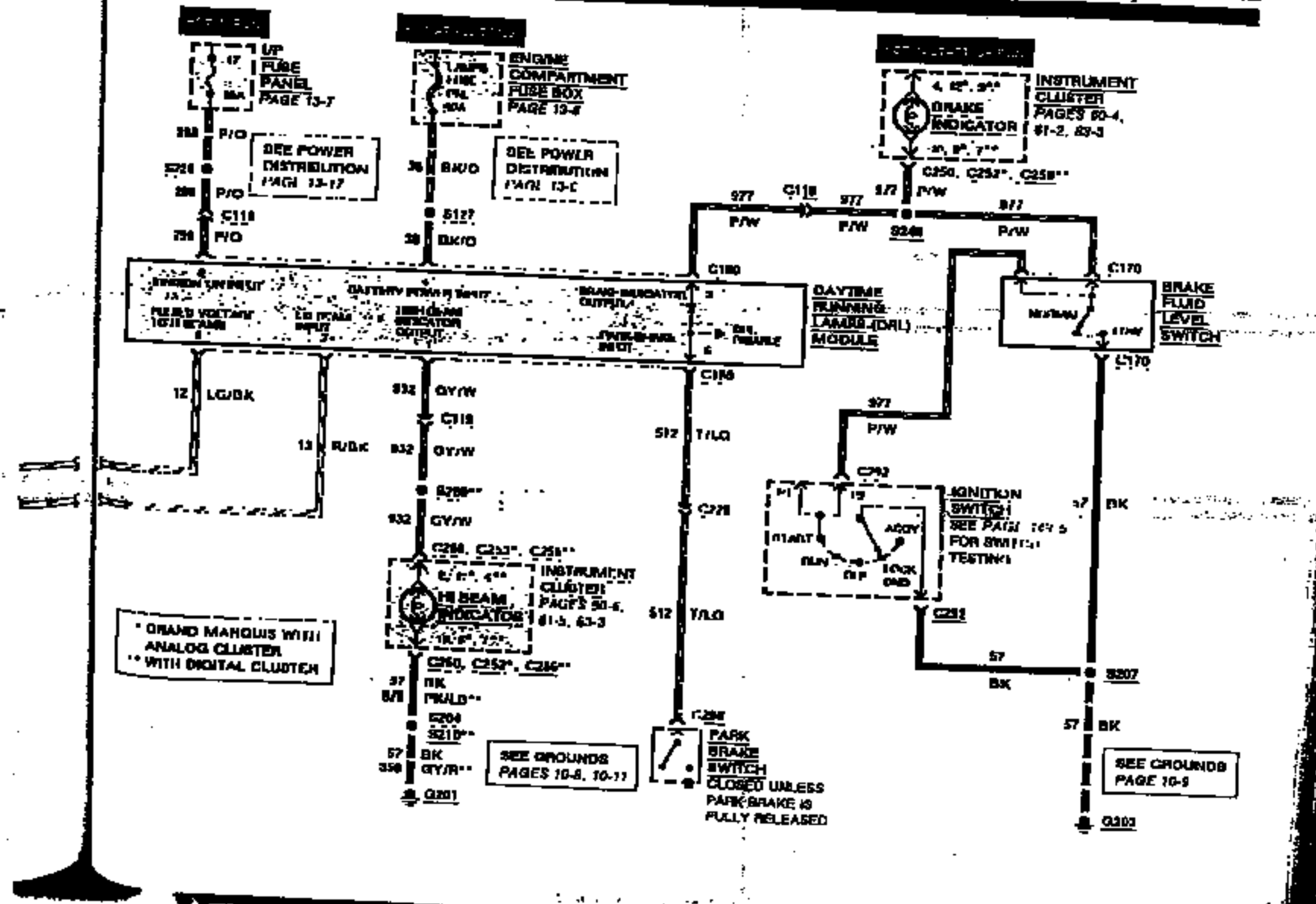
89-1 COURTESY LAMPS



ENR2-025 3347

1752.6N

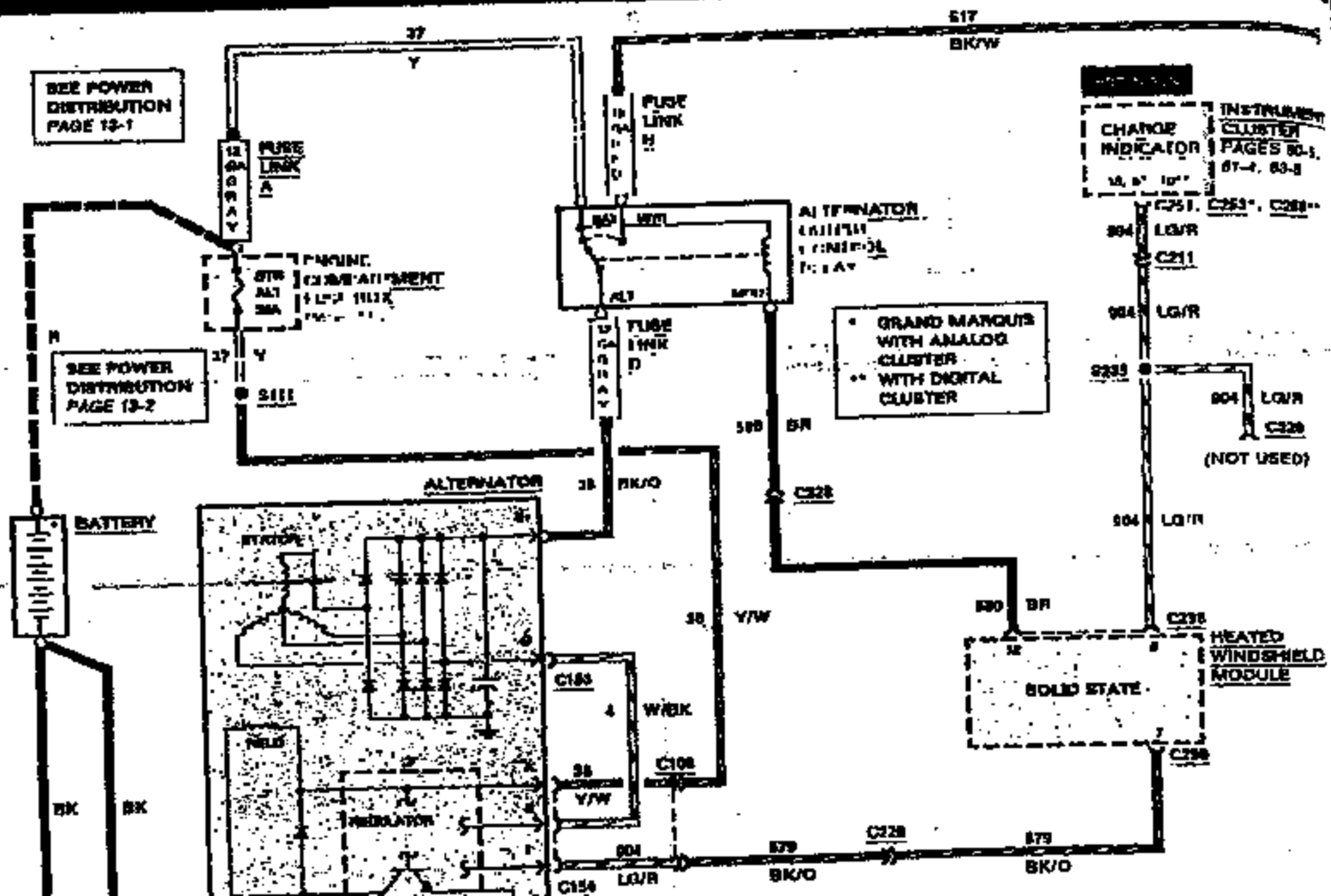
Y) DAYTIME RUNNING LAMPS (CANADIAN VEHICLES ONLY) 97-2



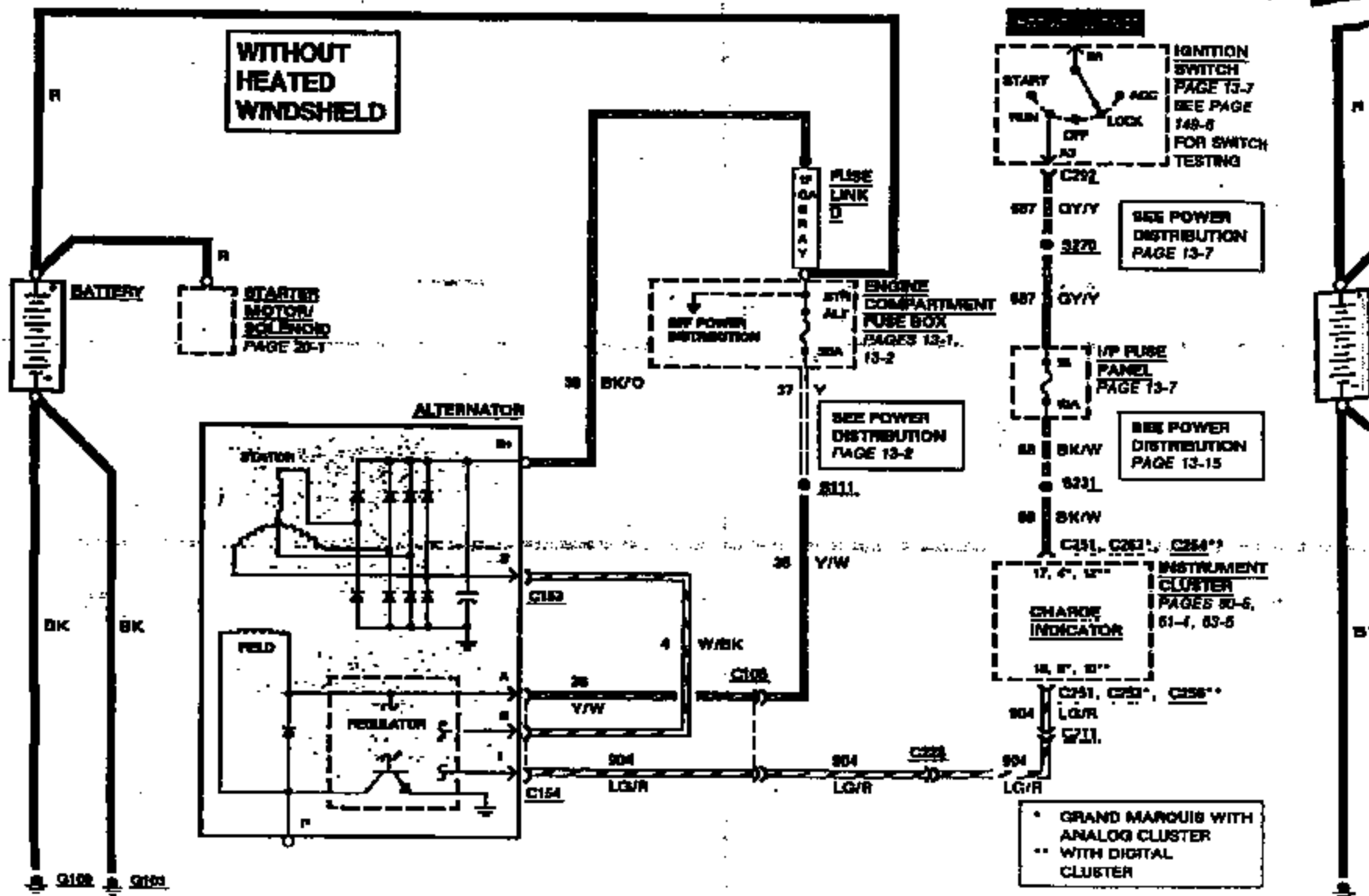
97-2-023 3349

992 EN

57-1 HEATED WINDSHIELD 192 CIVCM

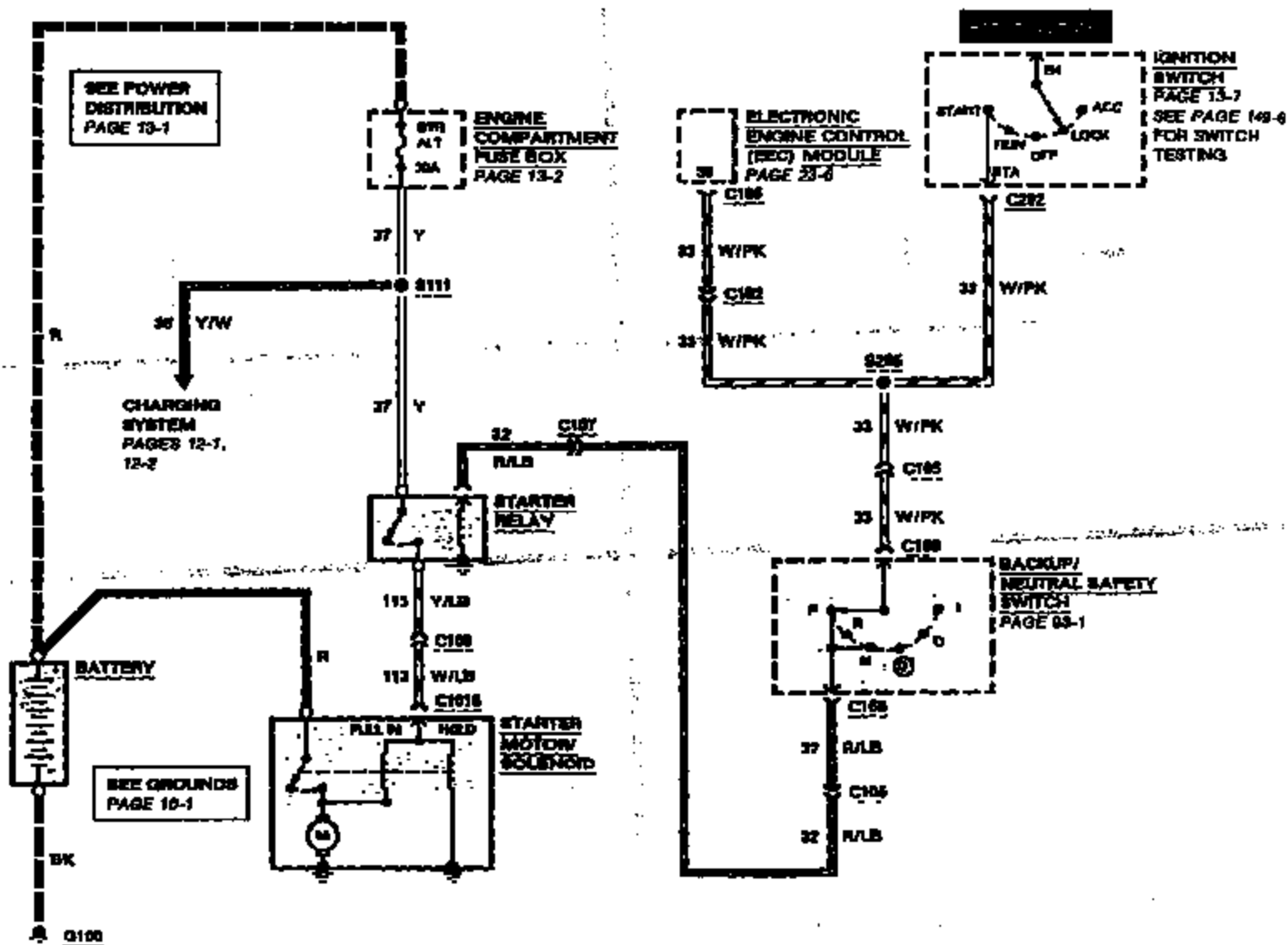


12-1 CHARGING SYSTEM

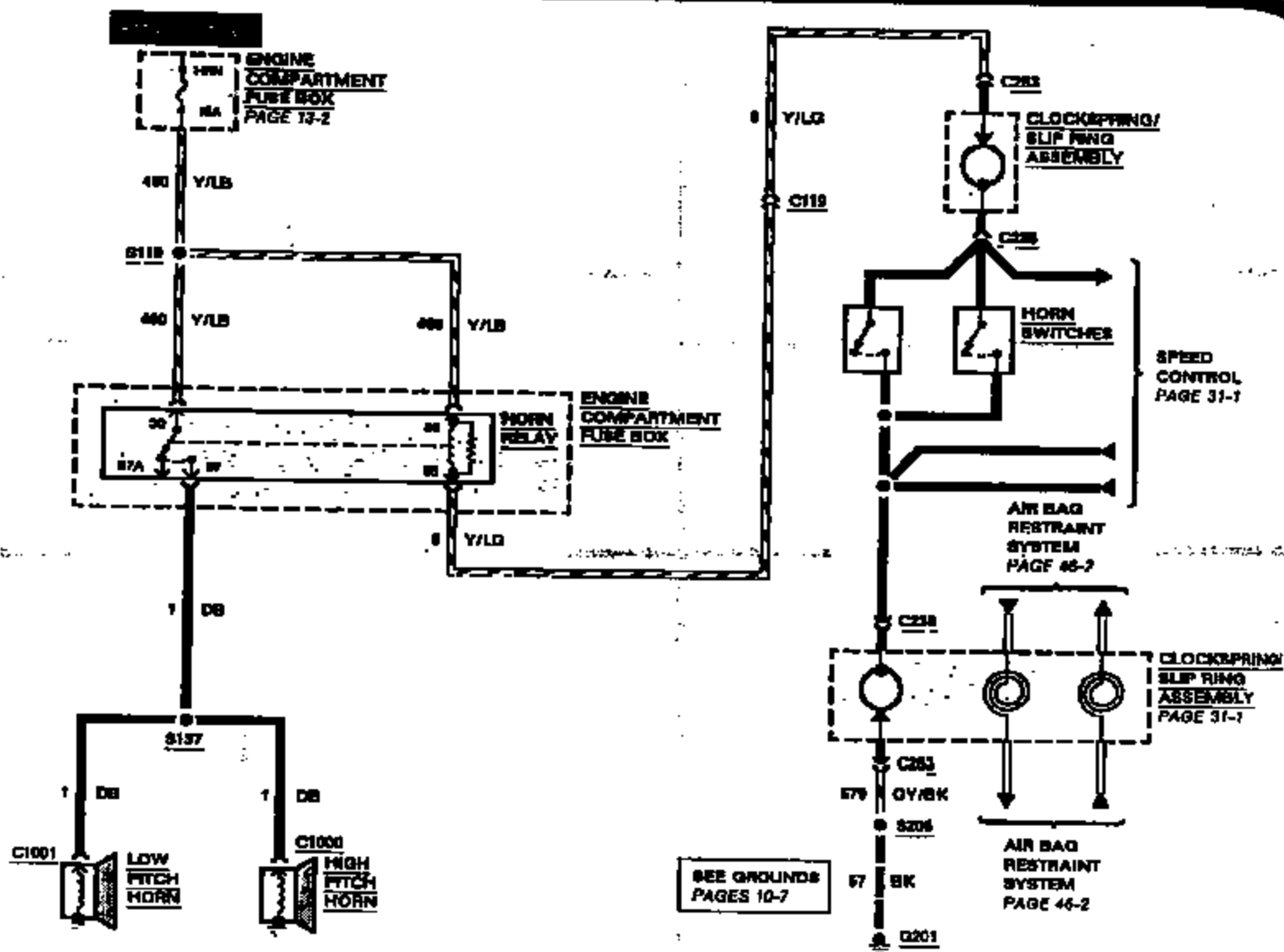


EMER-625 33028

20-1 STARTING SYSTEM

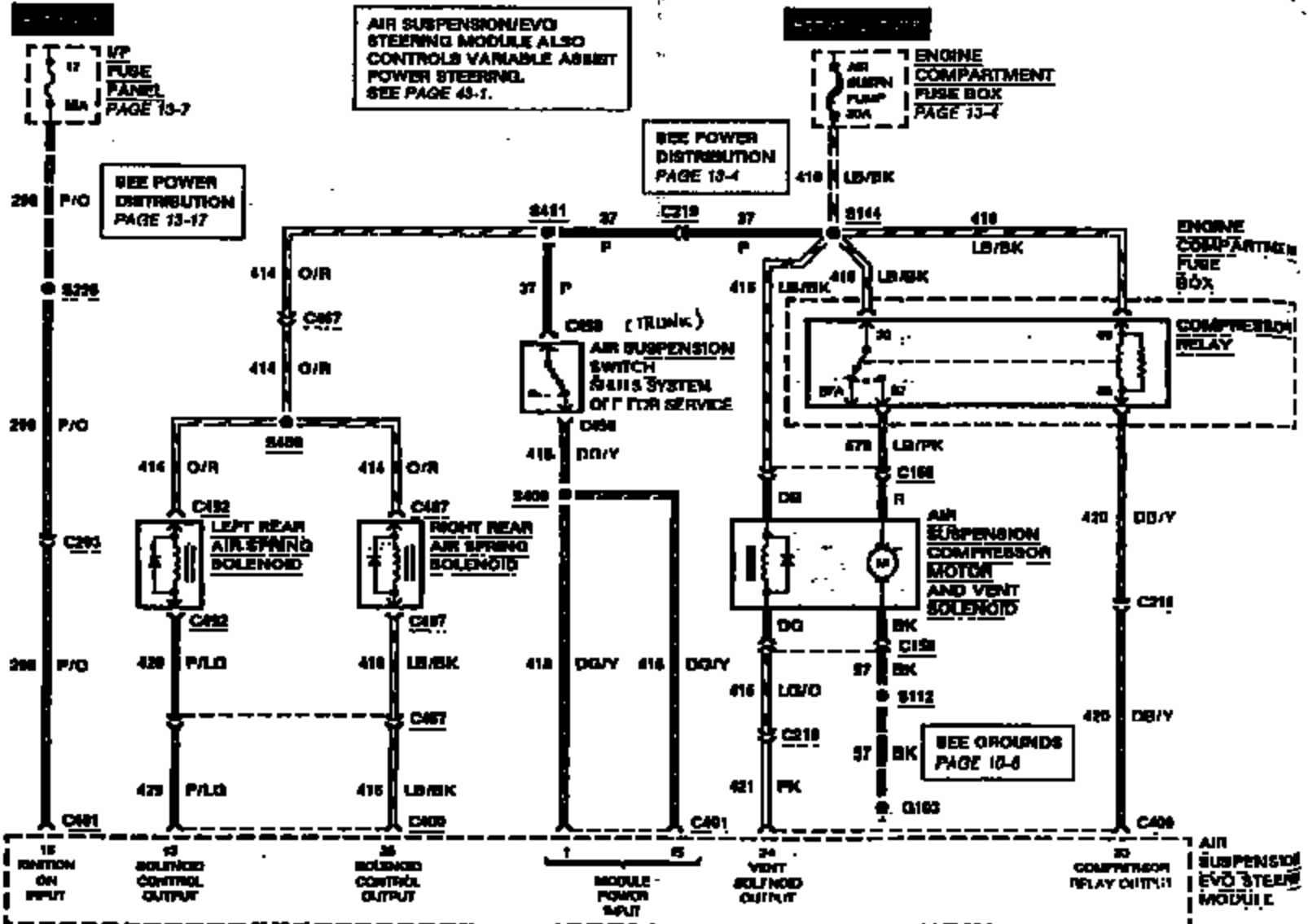


44-1 HORNS/CIGAR LIGHTER/CLOCK



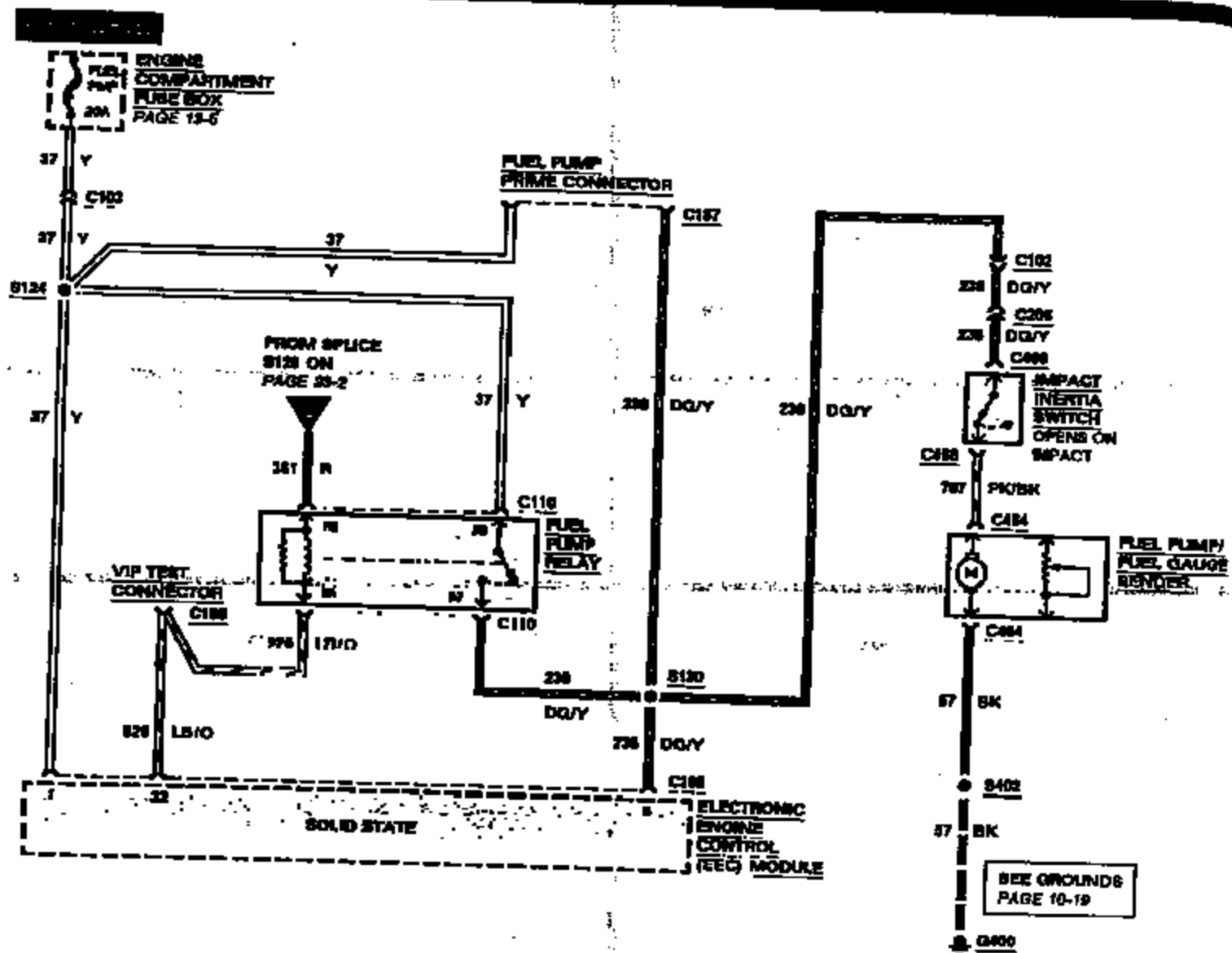
1982-828 3332

41-1 AIR SUSPENSION



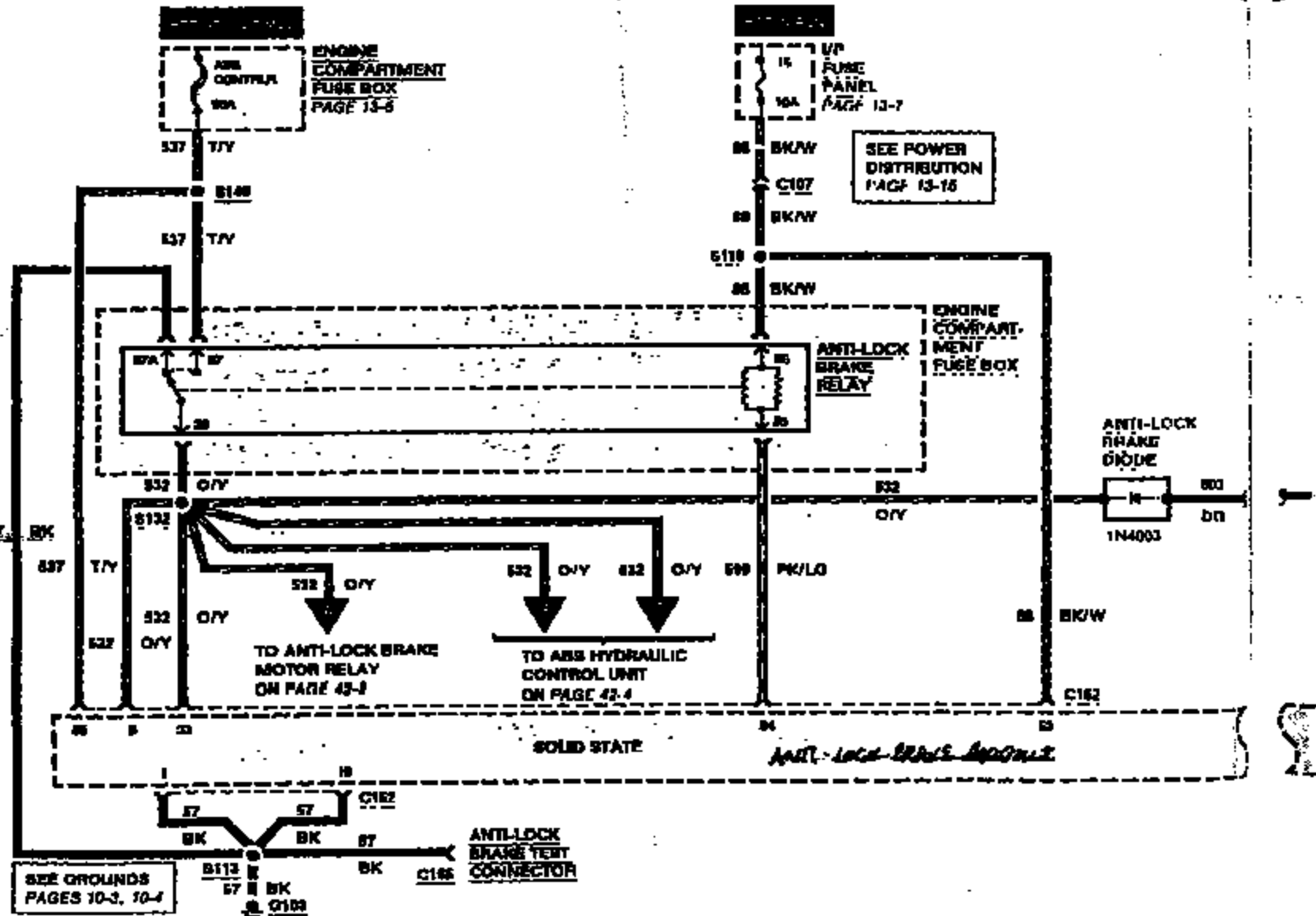
ENR2-825 3303

23-7 ELECTRONIC ENGINE CONTROL



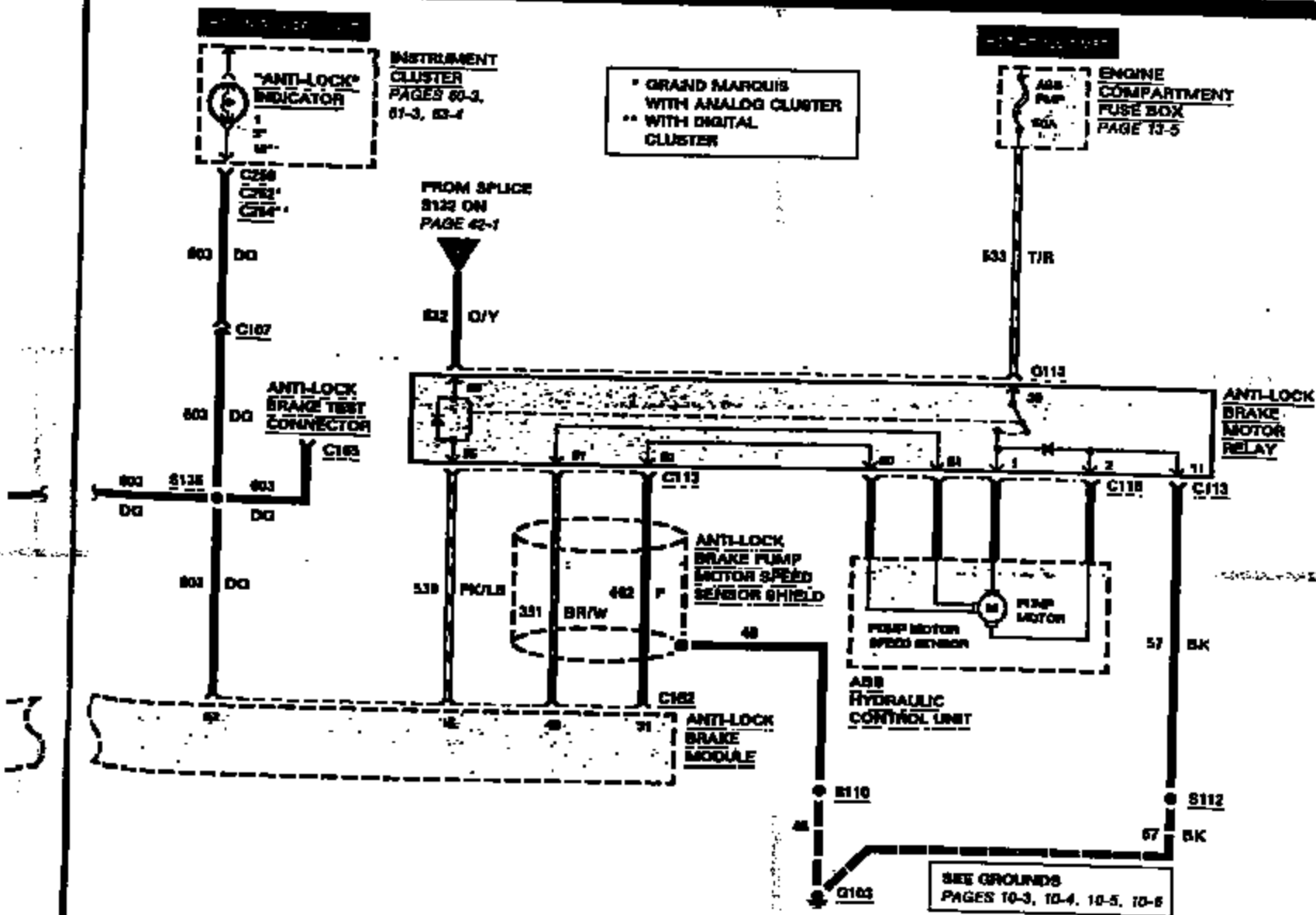
EMG-825 3894

42-1 ANTI-LOCK BRAKE SYSTEM WITH TRACTION ASSIST



EMG-421 3198

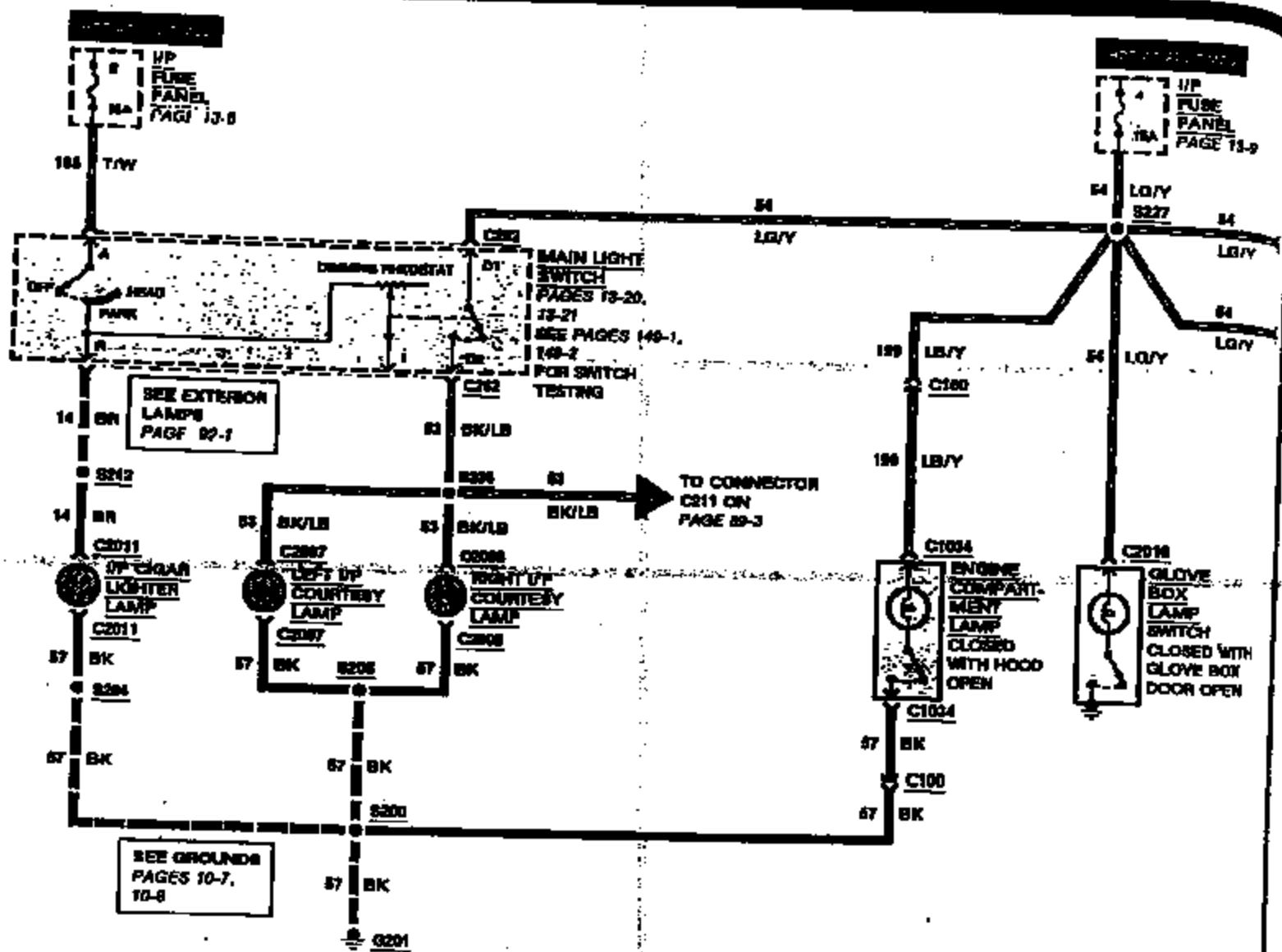
ANTI-LOCK BRAKE SYSTEM WITH TRACTION ASSIST 42-2



EM62-028 3367

1952 DN

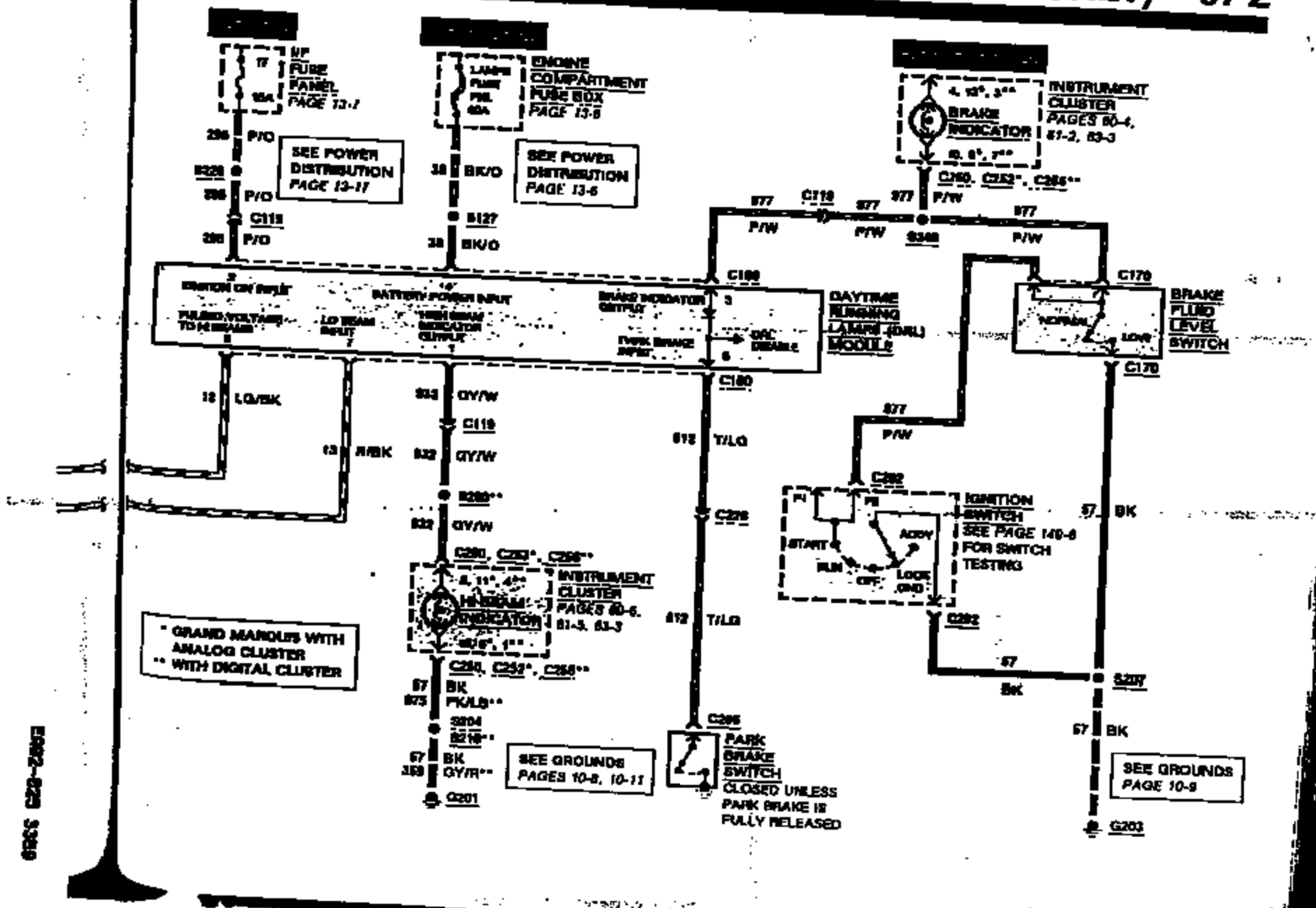
89-1 COURTESY LAMPS



89-1-025 3956

1992 EN

DAYTIME RUNNING LAMPS (CANADIAN VEHICLES ONLY) 97-2

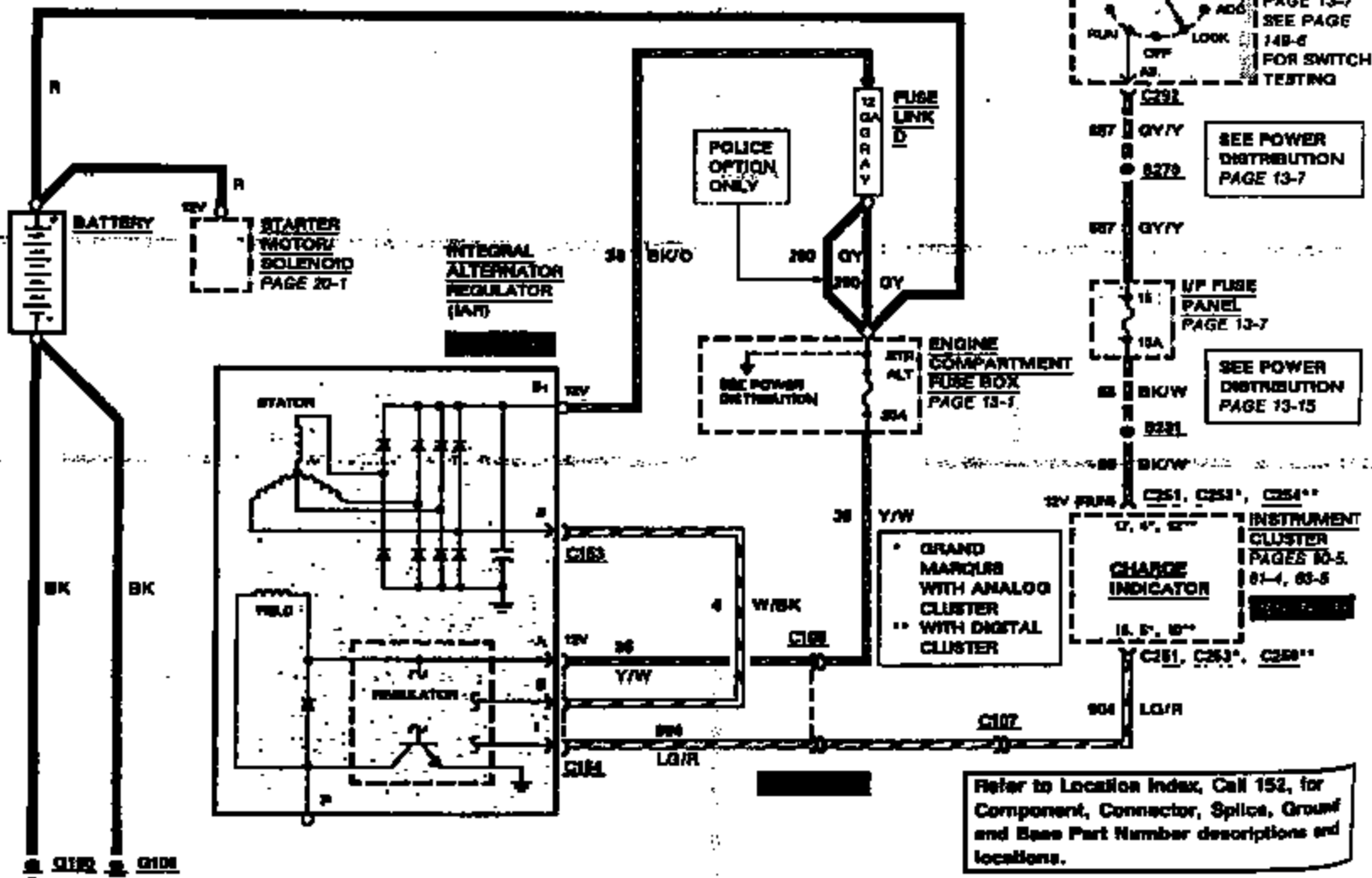


97-2-829 3389

12-1 CHARGING SYSTEM

1973 CV/GM

For Circuit Operation, refer to page 7-1.
For diagnostic information, refer to
Section 14-02 of the Service Manual.

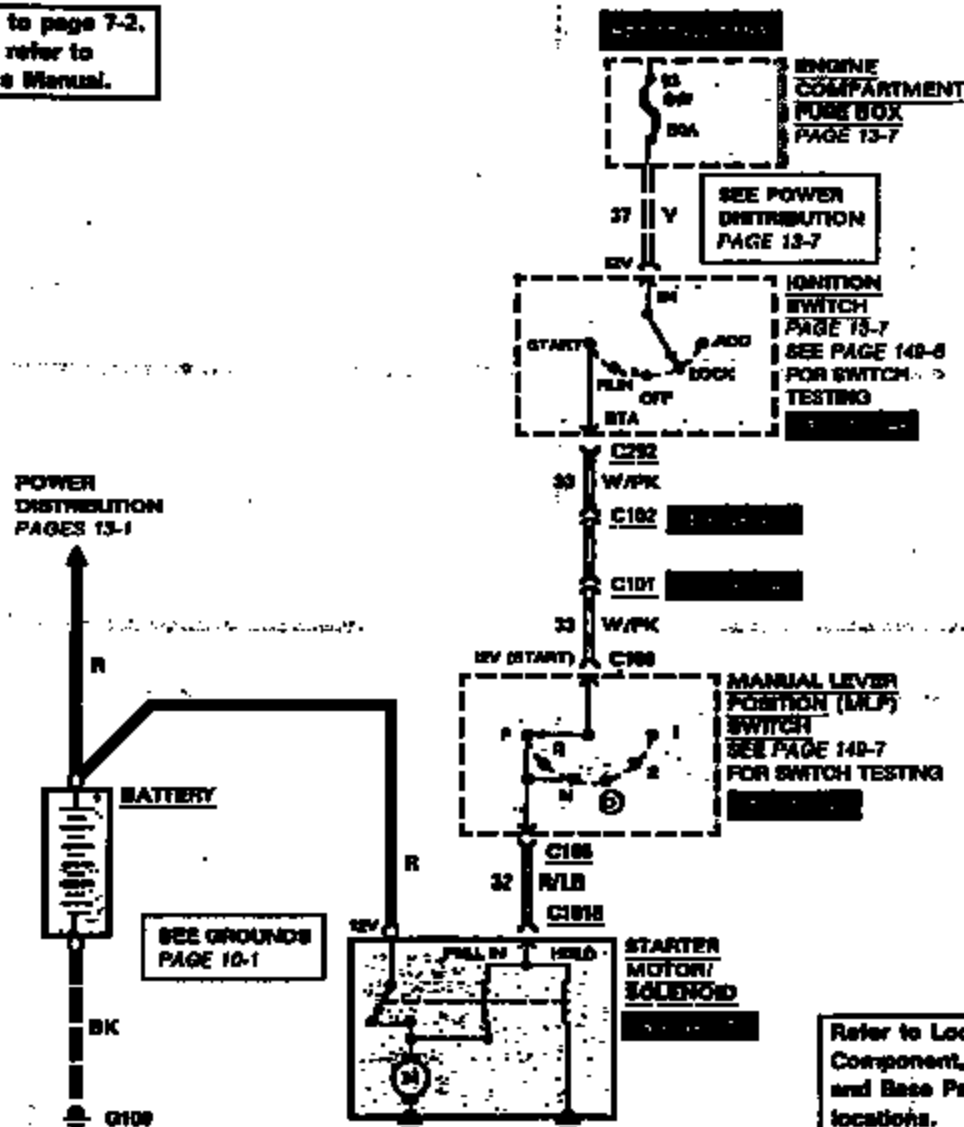


Refer to Location Index, Call 152, for Component, Connector, Splice, Ground and Base Part Number descriptions and locations.

EMR2-425 3000

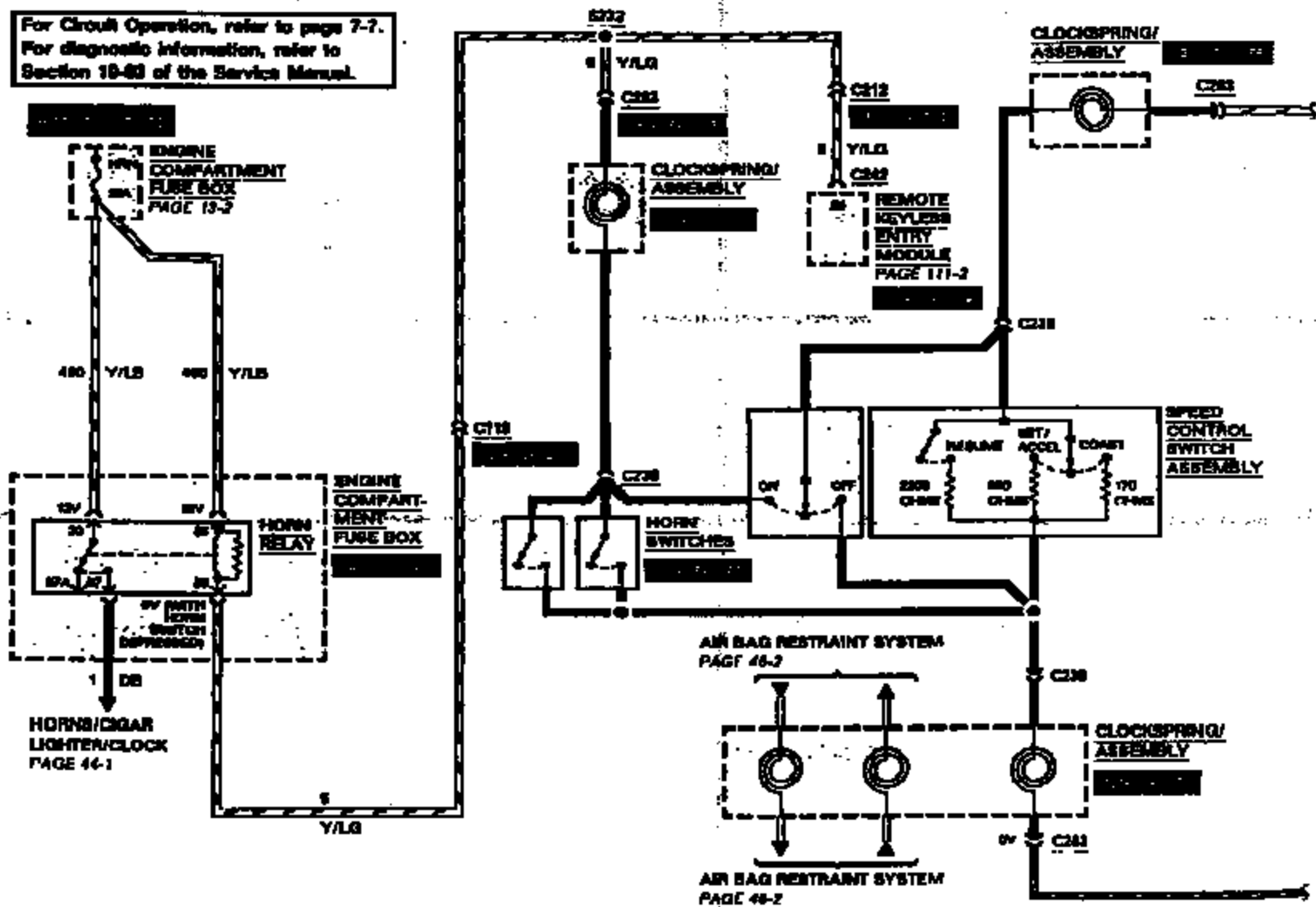
20-1 STARTING SYSTEM

For Circuit Operation, refer to page 7-2.
For diagnostic information, refer to
Section 03-06 of the Service Manual.



31-1 SPEED CONTROL

For Circuit Operation, refer to page 7-7.
For diagnostic information, refer to Section 18-83 of the Service Manual.



41-1 AIR SUSPENSION

For Circuit Operation, refer to page 7-8.
For diagnostic information, refer to
Section 04-08 of the Service Manual.

AIR SUSPENSION/EVO
STEERING MODULE ALSO
CONTROLS VARIABLE ASSIST
POWER STEERING.
SEE PAGE 43-1.

SEE POWER
DISTRIBUTION
PAGE 13-4

ENGINE
COMPARTMENT
FUSE BOX
PAGE 13-4

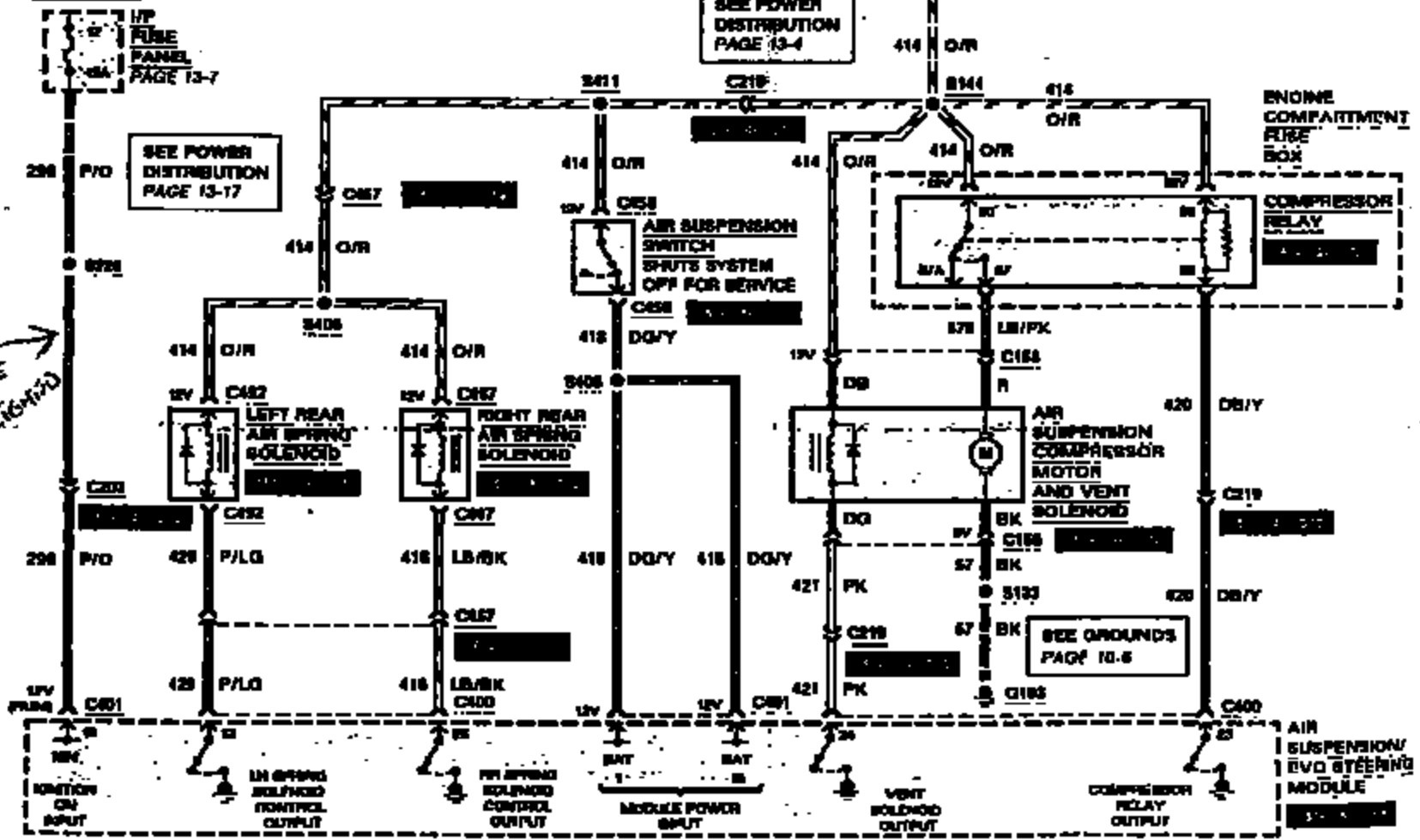
ENGINE
COMPARTMENT
FUSE BOX

COMPRESSOR
RELAY

AIR SUSPENSION
COMPRESSOR
MOTOR
AND VENT
SOLENOID

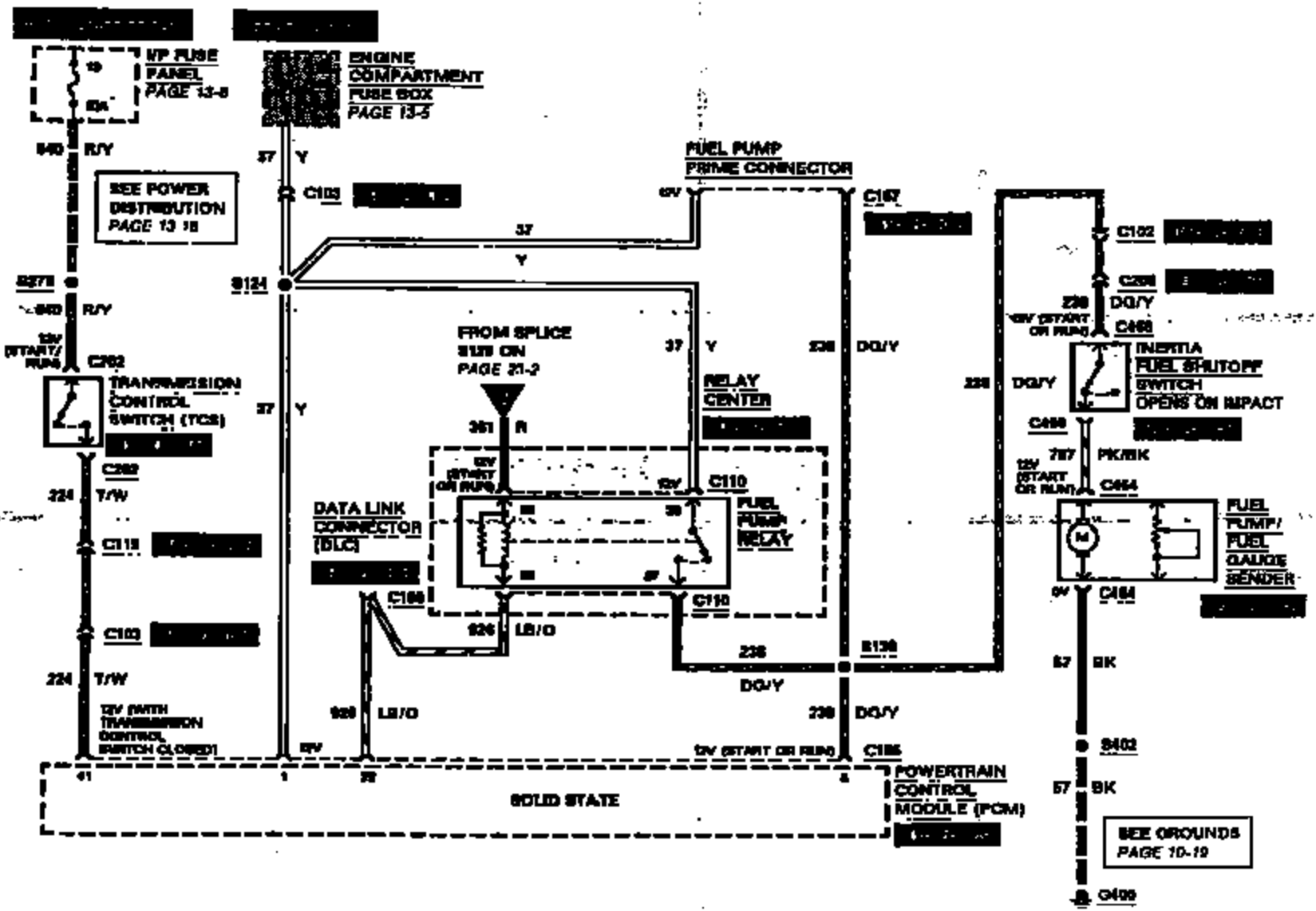
SEE GROUNDS
PAGE 10-8

AIR
SUSPENSION/
EVO STEERING
MODULE



EM82-6225 3383

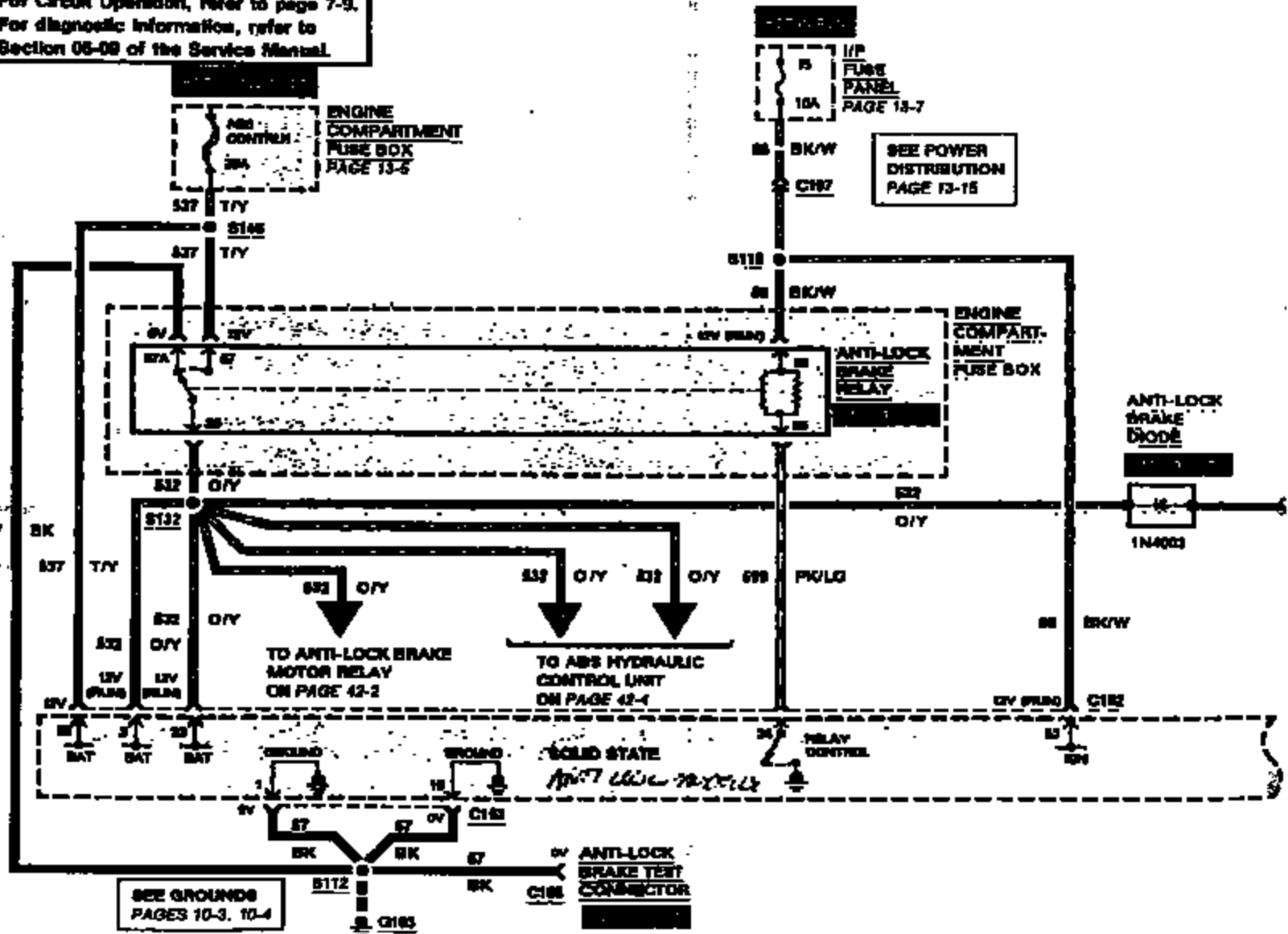
23-7 ELECTRONIC ENGINE CONTROL



EM02-025 3384

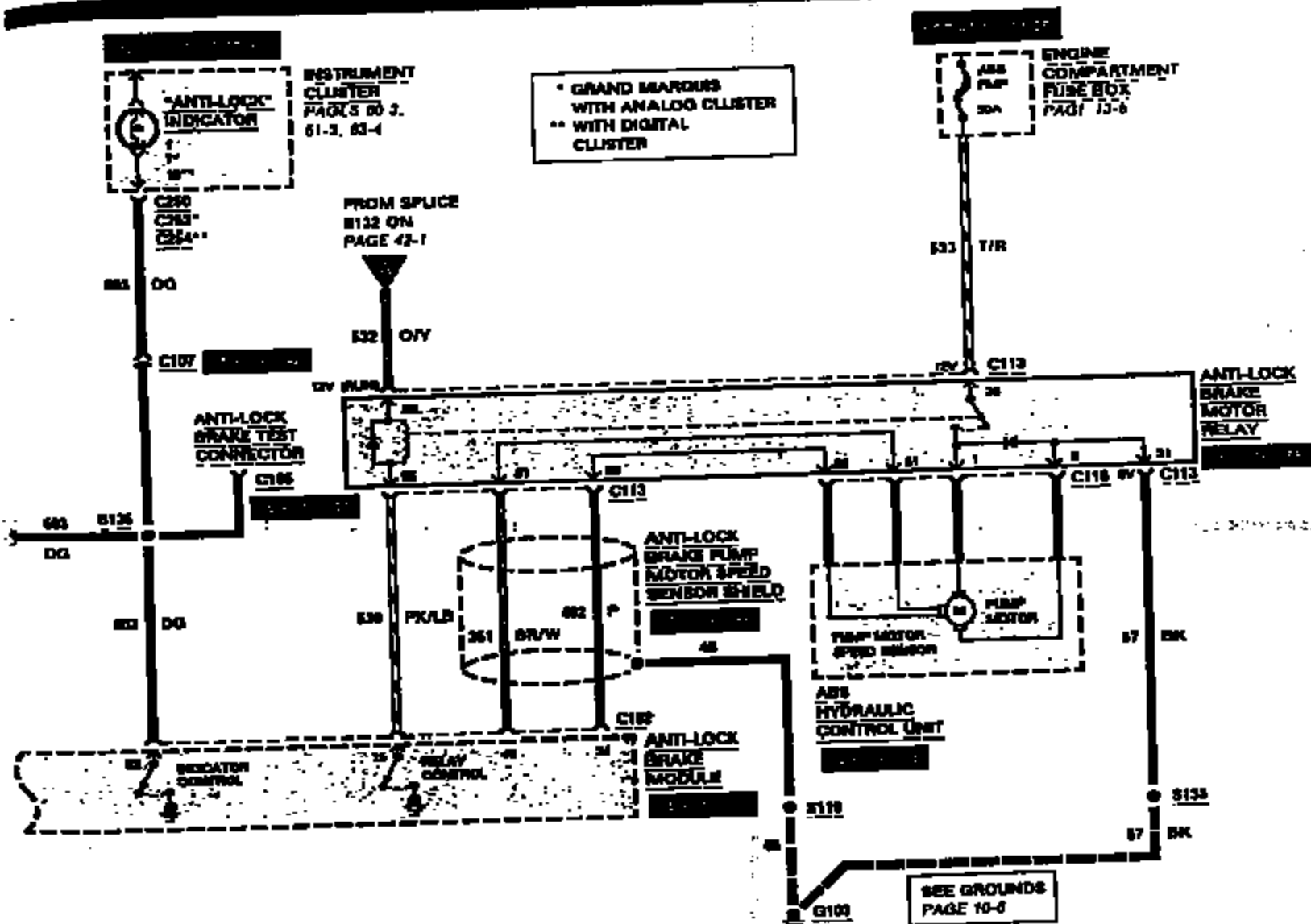
42-1 ANTI-LOCK BRAKE SYSTEM WITH TRACTION ASSIST

For Circuit Operation, refer to page 7-9.
For diagnostic information, refer to
Section 06-09 of the Service Manual.



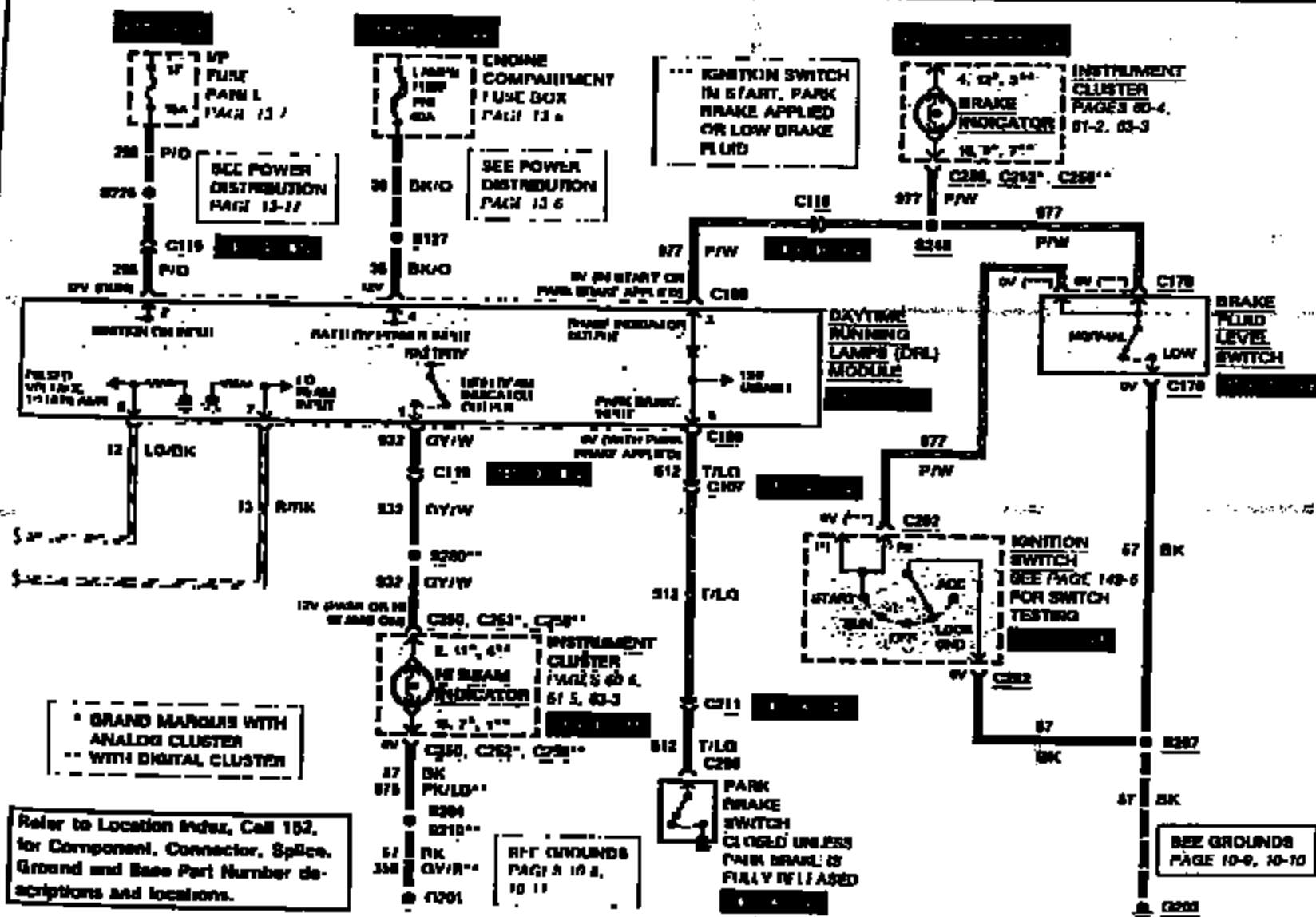
ANTI-LOCK BRAKE SYSTEM WITH TRACTION ASSIST 42-2

SEE GROUND PAGE 10-6

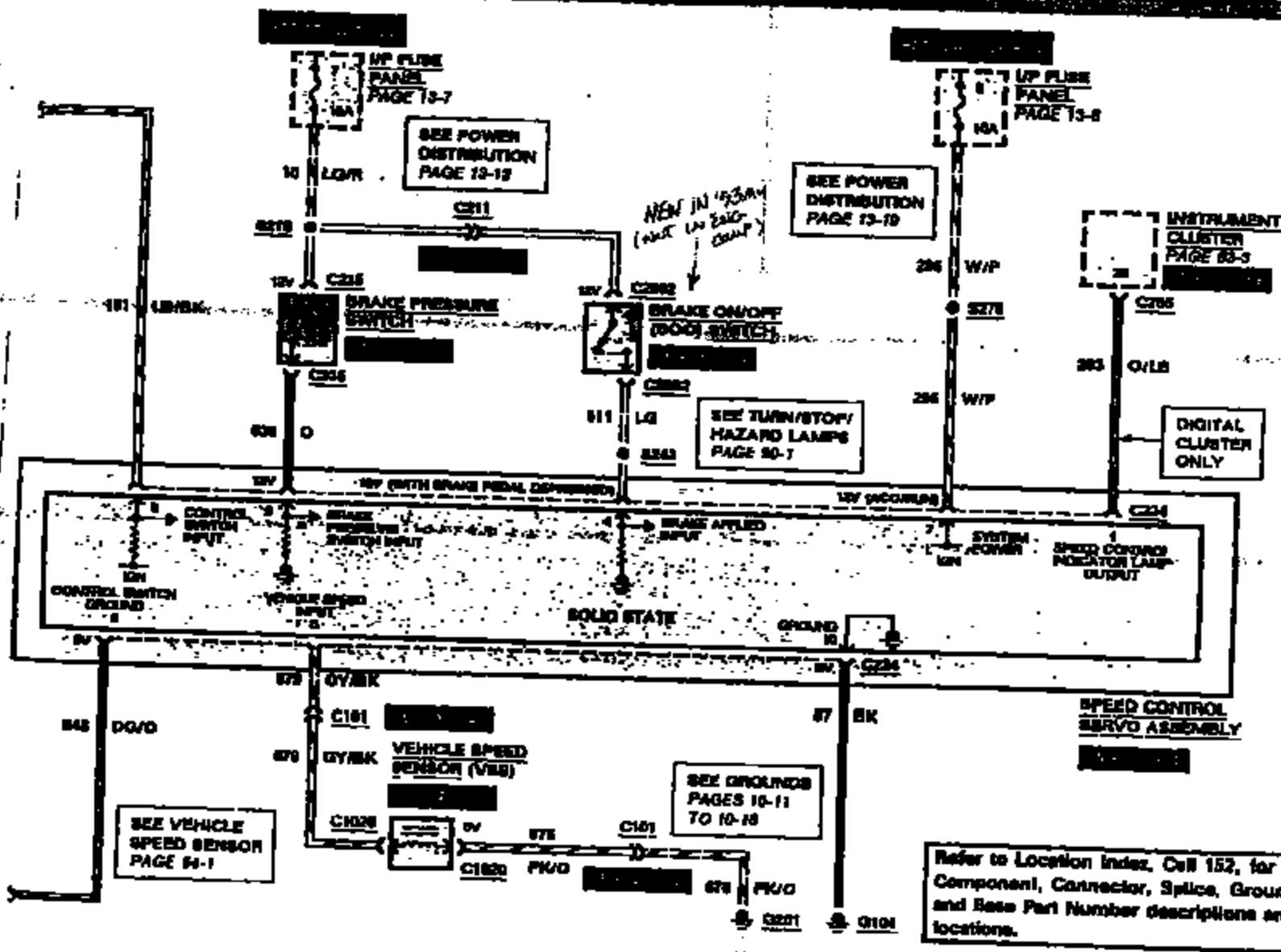


EN62-025 3396

DAYTIME RUNNING LAMPS (CANADIAN VEHICLES ONLY) 97-2

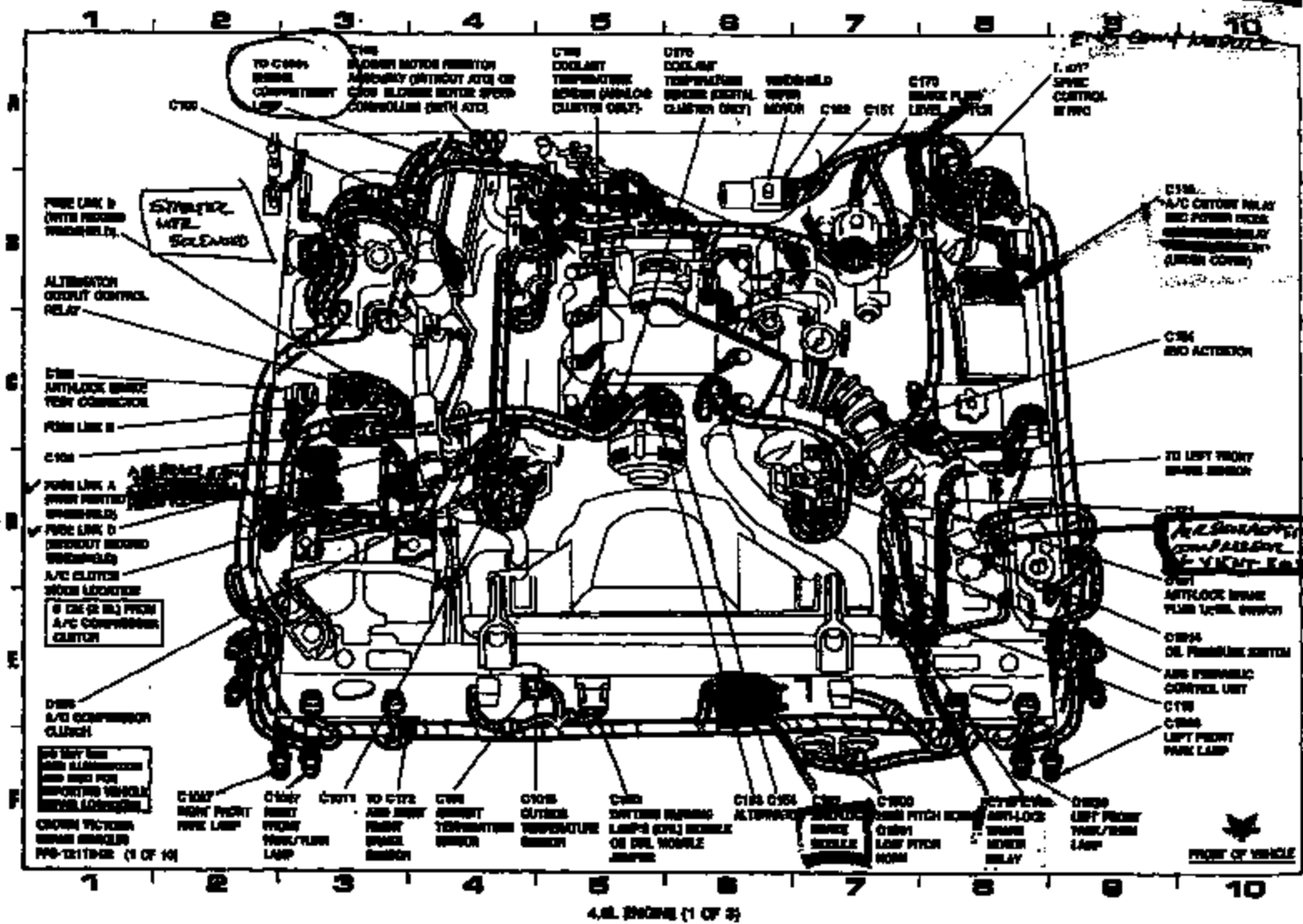


SPEED CONTROL 31-2



10002-228 2309

WIRE HARNESS LOCATION PLANS



EMGZ-625 3378

20-01/SM