

4

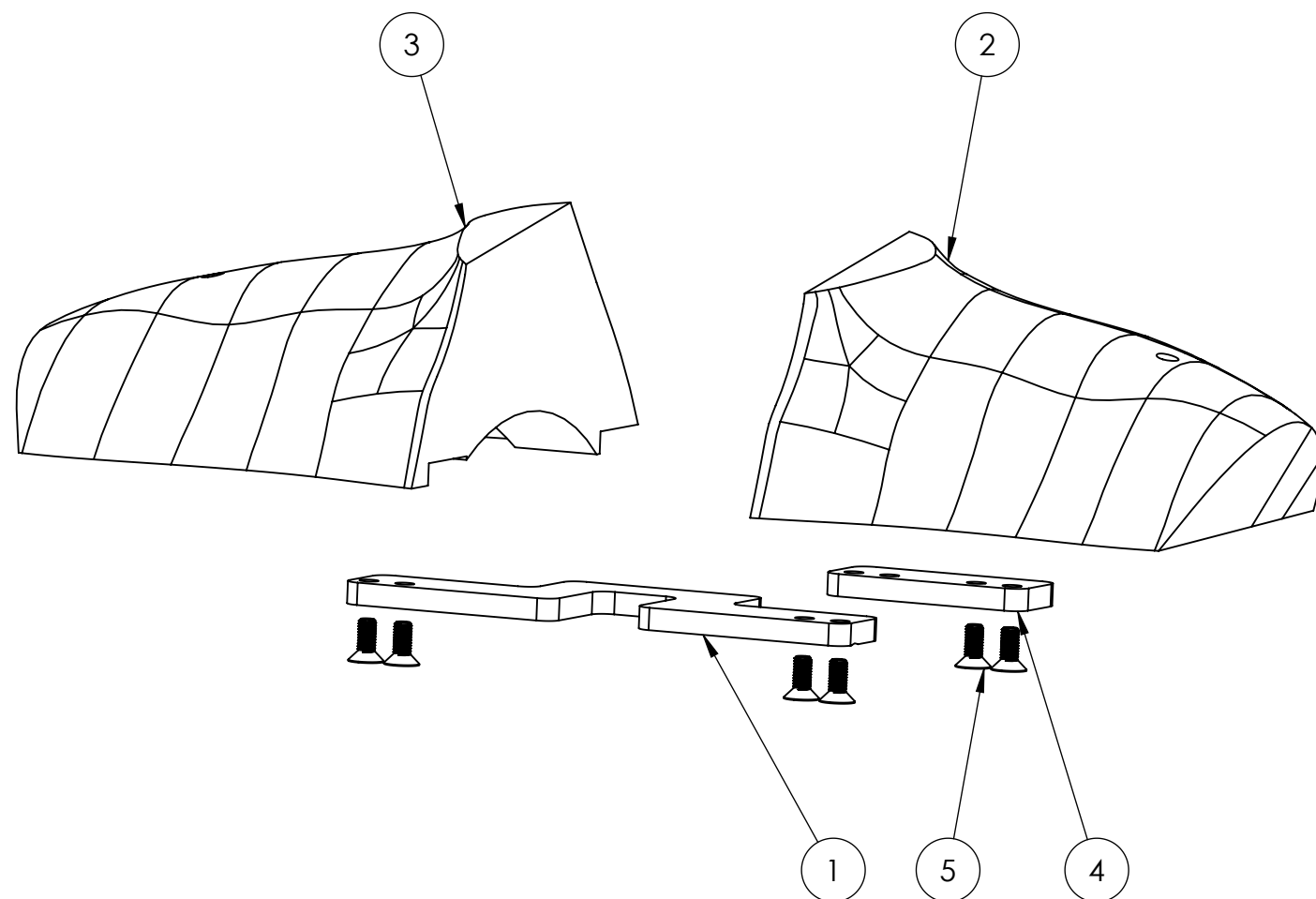
3

2

1

REVISIONS

ZONE	REV.	DESCRIPTION	DATE	APPROVED
------	------	-------------	------	----------



ITEM NO.	PART NUMBER	DESCRIPTION	QTY.
1	W50-35045	FRONT SUPPORT PLATE	1
2	W50-35040-1	SHOULDER PAD, LEFT	1
3	W50-35040-2	SHOULDER PAD, RIGHT	1
4	W50-35046	REAR SUPPORT TAB	1
5	91294A210	M5 X 12 FHCS	6

UNLESS OTHERWISE SPECIFIED:

DIMENSIONS ARE IN MM
 TOLERANCES:
 FRACTIONAL $\pm 1/64$
 ANGULAR: MACH $\pm .5$ BEND ± 2
 ONE PLACE DECIMAL $\pm .1$
 TWO PLACE DECIMAL $\pm .05$

INTERPRET GEOMETRIC
TOLERANCING PER: ASME Y14.5-2009

MATERIAL

FINISH

DO NOT SCALE DRAWING

VEHICLE RESEARCH
AND TEST CENTER

NAME	DATE
DRAWN	

CHECKED

ENG APPR.

APPROVED

NATIONAL HIGHWAY TRAFFIC
SAFETY ADMINISTRATION

TITLE:
**SHOULDER PAD ASSY
 FOR RIBEYE**

SIZE B	DWG. NO. W50-35040	REV
------------------	------------------------------	-----

SCALE: 1:2

SHEET 1 OF 1

4

3

2

1

B

B

A

A