

[REDACTED]  
[REDACTED]  
New Milford, CT. [REDACTED]

CL-11072510-4529

Phone: [REDACTED]

Fax: [REDACTED]

E-mail: [REDACTED]

To Whom it may concern

I have been Trying to bare  
With This Issue on my Trailer  
It is Getting worse The  
Manufacture. did not install  
The axels To Spec they are  
LIGHT duty and not adiquit  
for this Trailer and  
The Manufacturer of the  
axels sent me the documents  
To substantiate this

I need Help

[REDACTED]

NIM  
4.30.19  
LD



U.S. Department  
of Transportation  
**National Highway  
Traffic Safety  
Administration**

1200 New Jersey Avenue SE  
Washington, DC 20590

Dear Consumer:

NEF-160

As a follow-up to your report to the Vehicle Safety Hotline (VSH), we have recorded your information on the enclosed Vehicle Owner's Questionnaire (VOQ) form. Please review the form and make changes, additions and corrections as necessary. Additionally, please provide a more detailed description of the failures(s) you reported that you believe relevant to safety. Also, if available, include copies of repair invoices, letters to the manufacturer, or any other document related to the problem(s) you reported. If a crash or fire occurred, include a copy of the police or fire department report.

It is helpful to be as thorough as possible in your report so that our ability to use your report will be maximized. If you do not have the information, it is not necessary to complete all the boxes. However, it is very difficult to identify the scope of a vehicle problem unless the vehicle identification number (VIN) is known. The VIN is located inside the vehicle on the dashboard adjacent to the left (driver's side) of the windshield pillar and on the drivers' door or the driver's door jam. It may also be listed on a dealer repair invoice or your insurance or registration cards. When reporting a tire problem, the brand name, tire line and complete tire size should be included. Be certain to provide the DOT tire identification number. It is usually located near the rim flange of the tire on either side of the tire.

We do not make your personal information (name, address, phone numbers, etc.) available to the general public. However, if we open an investigation that involves your vehicle, we will provide the manufacturer of your vehicle with a complete copy of your report. The information you provide may assist the manufacturer and NHTSA in determining if a safety-related defect exists.

Any information provided is entirely voluntary. There is no consequence or penalty of any kind if you do not wish to provide it. We seek this information to develop both statistical and investigative evidence that will help identify potential safety related problems in vehicles or vehicle equipment, e.g., tires, child safety seats, jacks, etc.

When completed, please fold and staple or tape the form so that the pre-addressed portion of the form is on the outside. If a larger envelope is used, tape the VOQ form to the larger envelope so that the pre-addressed portion of the form is showing.

If further assistance is needed, please contact the VSH at their toll-free number, 1-888-327-4236.

Thank you for your cooperation.

Sincerely,

Randy Reid Chief  
Correspondence Research Division  
Office of Defects Investigation  
Enforcement

Enclosure: VOQ



U.S. Department of Transportation

National Highway Traffic Safety Administration

DOT Auto Safety Hotline

**Vehicle Owner's Questionnaire**  
**To Report Vehicle Safety Defects**  
**1-888-DASH-2-DOT**  
**(1-888-327-4236)**  
**INTERNET:www.nhtsa.dot.gov/hotline**

FOR AGENCY USE ONLY 100148

Date Received  
 13-FEB-2018  
 Repository   
 Reference No.  
 11072510

**OWNER INFORMATION (Type or Print)**

Name [REDACTED] Daytime Telephone Number [REDACTED] E-mail Address [REDACTED]  
 Address [REDACTED] Evening Telephone Number [REDACTED]  
 City NEW MILFORD State CT Zip Code [REDACTED]

The information you provide will be used to identify potential safety-related defects. We may share your information with the applicable vehicle manufacturer during an investigation or recall in accordance with the routine uses described in the agency's Privacy Act notice. See 49 FR 53971 (Sep. 3, 2004).

**VEHICLE INFORMATION**

17 digit Vehicle Identification Number Located at bottom of windshield on driver's side: 5NHUAPK35CN [REDACTED]  
 Make CONTINENTAL CARGO Model CARGO TRAILER Model Year 2012  
 Date Purchased 2/22/12 Dealer's Name and Telephone Number AIAZINC 877-4587245 Engine: No: Cylinders Fuel Type:  
 Original Owner  Dealer's City Wilmington, State NC Zip Code 28412  
 Transmission Type  Antilock Brakes  Cruise Control Powertrain Multiple Failure: Wheels, Tires, Axle, Brakes, Airbags Incident Date(s) 24-FEB-2012

**FAILED COMPONENT(S)/PART(S) INFORMATION**

Vehicle Component Codes: 162000 STRUCTURE: BODY, 200000 WHEELS, 020000 SUSPENSION Failure Mileage Failure Speed 0-40

**ADDITIONAL ITEMS TO BE COMPLETED WHEN REPORTING A TIRE FAILURE**

Tire Make Tire Model (Name or Number) Tire Size (Example P215/65R15)  
 DOT No. (Example: DOTM19ABC036)  Original Equipment  Prior Repair Failure Location:  
 Tire Component Code Tire Failure Type:

**ADDITIONAL ITEMS TO BE COMPLETED WHEN REPORTING A CHILD SEAT FAILURE**

Make: Date Manufactured: Model No./Name:  
 Seat Type: Installation System:  
 Child Seat Component Code: Failed Part:

**APPLICABLE INCIDENT INFORMATION**

(Please describe in detail the incident(s), Failure(s), Crash(es), and injury(ies).)

Crash  Yes  No Fire  Yes  No Number of Persons Injured Number of Deaths Reported to Police N

Narrative Description of Incident(S), Crash(es), and Injury(ies). Please describe (1) events leading up to the failure, (2) failure and its consequences, and (3) what was done to correct the failure; i.e. parts repaired or replaced (and if old part is available).

TL\* THE CONTACT OWNS A 2012 RAM 3500 HAULING A 2012 FOREST RIVER CONTINENTAL TRAILER. THE CONTACT STATED THAT THE WHEELS ON THE TRAILER WERE PREMATURELY DEFLATING AND THE HUBS FRACTURED FROM SEVERAL WHEELS. THE VEHICLE WAS TAKEN TO RAC DIESEL SERVICES (42 OLD STATE RD, NEW MILFORD, CT 06776, (860) 350-4722) AND TIMBUCKTU RV (1048 SOUTHBRIDGE ST, WORCESTER, MA 01610, (508) 459-1132) FOR DIAGNOSTIC TESTING. THE MANUFACTURER OF THE AXLE PROVIDED INSTRUCTIONS PERTAINING TO THE REPAIR CONCERNS WITH THE TRAILER. THE VIN WAS NOT AVAILABLE. THE MANUFACTURER WAS NOTIFIED OF THE FAILURE AND PROVIDED NO SOLUTION OTHER THAN TO TAKE IT TO A FACILITY FOR REPAIRS. THERE WAS NO MILEAGE.

Include, if available: Police/Fire Department Report, Photos, and Repair Invoice. ATTACH ADDITIONAL SHEETS IF NECESSARY

The Privacy Act of 1974-Public Law 93-579 This information is requested pursuant to authority vested in the National Highway Traffic Safety Act and subsequent amendments. You are under no obligation to respond this questionnaire. Your response may be used to assist the NHTSA in determining whether a Manufacturer should take appropriate action to correct a safety defect. If the NHTSA proceeds with administrative enforcement or litigation against a manufacturer, your response, or a statistical summary thereof, may be used in support of the agency's action.

# REGISTRATION CERTIFICATE



DMV  
REG. FEE \$16.00  
SALES TAX \$16.00  
TOTAL \$32.00

THIS CERTIFICATE OF REGISTRATION MUST  
BE CARRIED IN THE MOTOR VEHICLE AT ALL  
TIMES WHEN IT IS BEING OPERATED

APR 29 2019

1. APPLICANT  (Owner Registering Vehicle)	OWNER'S NAME (Last, First, Middle Initial)		IF CO-OWNERSHIP <input type="checkbox"/> AND (Common) <input type="checkbox"/> OR (Joint)		CO-OWNER'S NAME (if any)	
	MAILING ADDRESS (Number and Street)		OWNER'S SEX <input checked="" type="checkbox"/> MALE <input type="checkbox"/> FEMALE		OWNER'S BIRTHDATE	
	(City or Town) (State) (Zip Code)		CO-OWNER'S SEX <input type="checkbox"/> MALE <input type="checkbox"/> FEMALE		CO-OWNER'S BIRTHDATE	
RESIDENT ADDRESS (If Different from Mailing Address - PO Box is NOT acceptable)			CT TOWN WHERE VEHICLE IN THE NORMAL COURSE OF OPERATION MOST FREQUENTLY LEAVES FROM, RETURNS TO OR REMAINS.			
2. IF LEASED VEHICLE	NAME OF LESSEE (Person to whom vehicle is leased)				CONNECTICUT LEASING LICENSE NO.	
	ADDRESS OF LESSEE (P.O. Box is Not Acceptable)					
3. VEHICLE	VEHICLE I.D. NUMBER		YEAR	MAKE	MODEL NAME OR NO.	BODY STYLE (4-Dr. Sedan, etc.)
	FUEL TYPE (Gas, Diesel, etc.)	NO. CYLINDERS	COLOR (Maximum of Two)	ODOMETER READING (Mileage)	NEW OR USED <input checked="" type="checkbox"/> NEW <input type="checkbox"/> USED	COMMERCIAL USE <input type="checkbox"/> YES <input checked="" type="checkbox"/> NO
4. IF OTHER THAN PASSENGER STYLE VEHICLE	LIGHT WEIGHT (Wt. of vehicle(s) empty)	NO. AXLES	COMPLETE FOR APPLICABLE VEHICLE (Buses, Trucks)	SEAT CAPACITY	NO. STANDEES	CARRY SCHOOL CHILDREN? <input type="checkbox"/> YES <input checked="" type="checkbox"/> NO
	GROSS WEIGHT (Light wt. + wt. of max load)	MANUFACTURER'S GROSS VEHICLE WEIGHT RATING		TRAILERS - Rear lights required. Brakes required if 3,000 lbs. or more GVWR. Length of vehicle and trailer combined must be in accordance with Connecticut General Statute 14-262.		
5. LIEN-HOLDER (If vehicle purchase was financed)	LIEN-HOLDER FINANCING VEHICLE PURCHASE FOR CURRENT OWNER		DATE OF LIEN		SECOND LIEN-HOLDER (if Any)	
	ADDRESS OF LIEN-HOLDER		ADDRESS OF SECOND LIEN-HOLDER			
6. AUTO INSURANCE	INSURANCE COMPANY NAME (Not Agent)		AUTOMOBILE INSURANCE POLICY NO.	IF TAX EXEMPTION IS CLAIMED	READ REVERSE SIDE OF THIS FORM SPECIFY CODE AND ANY ADDITIONAL INFORMATION.	CODE NO. EXEMPTION INFORMATION
	NAME OF SELLER(S) (If 2 owners, include both names)		DATE VEHICLE PURCHASED		Keep this certificate, & documents supporting purchase price (copy of Bill of Sale, canceled check), as proof of required sales tax paid. If you sell/transfer this vehicle, you must complete the Certificate of Sale or Transfer section on the reverse of the yellow copy, and return your marker plate(s) & yellow registration certificate to DMV. If this application contains any material false statement, the registration is void and any money paid is forfeited.	
7. SELLER(S)	SELLER'S ADDRESS		PURCHASE PRICE (Bill of Sale required)			
	The undersigned certifies that there are no liens on this vehicle except those specified above, the insurance required by Connecticut law is in effect and will be maintained during this registration period, all property taxes due any CT Taxing Authority for any vehicle previously registered in my/our name(s) have been paid, if other than Passenger registration this vehicle is registered in accordance with Manufacturer's Maximum Gross Vehicle Weight Rating. The information provided to the Commissioner of Motor Vehicles herein is subscribed by me, the undersigned, under penalty of false statement, in accordance with the provisions of Section 14-110 and 53a-157b of the Connecticut General Statutes. I understand that if I make a statement which I do not believe to be true, with the intent to mislead the Commissioner, I will be subject to prosecution under the above-cited laws.					
8. SIGNATURE(S)	OWNER'S SIGNATURE		CO-OWNER'S SIGNATURE			
	X		X			

THIS SECTION FOR CT LICENSED DEALERS			OFFICE USE ONLY			C.C.	S.C.	TYPE OF REGISTRATION	MARKER PLATE NO.
<input type="checkbox"/> ISSUE	DATE	TIME	CT DEALER LICENSE NO.			EXPIRATION DATE		PRIOR TITLE STATE	PRIOR TITLE NUMBER
<input type="checkbox"/> TRANSFER			MAKE OF TRADE-IN	MODEL OF TRADE-IN	YEAR	TAX TOWN		EMISSIONS	RESTRICTION CODE
<input type="checkbox"/> OUT-OF-STATE DEALER			IDENTIFICATION NUMBER OF TRADED-IN VEHICLE			EQUITY		ANNUAL FEE	HIGHEST FEE PAID
<input type="checkbox"/> CT DEALER'S SALES TAX NO.:			DMV FEES COLLECTED						
TOTAL SALES PRICE \$			new issue	safety plate					
TRADE-IN ALLOWANCE			CAA	<input type="checkbox"/> title <input type="checkbox"/> no title					
NET SALES PRICE			temp. cert.	lien					
STATE TAX COLLECTED			transfer	inspections					
VEHICLE SOLD IS: (Check any applicable)			sub. reg.	emissions					
<input type="checkbox"/> DEMO	<input type="checkbox"/> REBUILT	<input type="checkbox"/> MANUFACTURER BUYBACK	info. change						
DEALER'S SIGNATURE		DATE SIGNED	sales tax	TOTAL FEE \$					
X				2595					

**FOREST RIVER INC. ~ CARGO DIVISION**

**INVOICE / SHIPPING REQUEST**

Cargo Mate: PH (574) 264-4519 FX (574) 266-7532

Continental: PH (574) 266-7515 FX (574) 266-7533

DATE: 2/22/12

PAGE: OF

DEALER INFORMATION:

A1A2Z

#N/A

#N/A

#N/A

#N/A

DEALER # 47630

TELEPHONE: #N/A

MILEAGE: #N/A

FRT RATE\*: ##### (Per Mile)

PICK UP DATE:

SALES REP

BT 60

METHOD OF SHIPMENT:

SHIP

DPU

CPU (NO PAPERWORK)

PAYMENT TERMS:

FLOOR PLAN (UNIT ONLY)

COD (UNIT ONLY)

CASHIER/CERTIFIED

FLOOR PLAN (UNIT & FRT)

FR-90 DB

XXXX

WIRE TRANSFER

SERIAL #	MODEL	COLOR	UNIT TOTAL
1 68832	APF8534TTA3	B WINE	
2			
3			
4			
5			
6			
7			
8			

STUFFING INFORMATION

STUFF	IN UNIT
STUFF	IN UNIT
STUFF	IN UNIT
STUFF	IN UNIT
STUFF	IN UNIT

SUBTOTAL

FREIGHT

DISCOUNT

STUFF FEE

TOTAL


\*DISCOUNT (LIST REASON BELOW):

SPECIAL INSTRUCTIONS:

SENDING A WIRE FOR \$28182.00

NEW MILFORD BRANCH  
 LEVINE PAINT & AUTO SUPPLY 39 DANBURY RD NEW MILFORD, CT 06776  
 860-210-0416  
 SOUTH ST 203-731-3010 FEDERAL RD 203-731-3030  
 MACHINE SHOP 203-731-3020



\*REPRINT\*

TIME: 13:22 PO#: CC

FINE FOOD\*

INV#:

FOR FILM

TYPE: CASH

NEW MILFORD CT

PH:

DATE: 12/13/16

7.94% RETURNS

TERMS:

CTMN: 78 PAGE: 1

QTY	LIN	PART NUMBER	DESCRIPTION	CORE	LIST	PRICE	EXTENDED	TAX
N 2		NSI 171447	WHEEL			34.95	69.90	T
1	SH	1	SHIPPING			16.20	16.20	

CASH TENDERED \$90.54

UNITS	GST/SP	FREIGHT	LABOR	MISC	CORE	LIST	NONTAX	TAXABLE	TAX
2	0.00	16.20	0.00	0.00		0.00	16.20	69.90	4.44
								PAY THIS AMOUNT	90.54

NEW MILFORD BRANCH  
 LEVINE PAINT & AUTO SUPPLY 39 DANBURY RD NEW MILFORD, CT 06776  
 860-210-0416  
 SOUTH ST 203-731-3010 FEDERAL RD 203-731-3030  
 MACHINE SHOP 203-731-3020



\*REPRINT\*

TIME: 13:22 PO#: CC

FINE FOOD\*

INV#:

FOR FILM

TYPE: CASH

NEW MILFORD CT

PH:

DATE: 12/13/16

7.94% RETURNS

TERMS:

CTMN: 78 PAGE: 1

QTY	LIN	PART NUMBER	DESCRIPTION	CORE	LIST	PRICE	EXTENDED	TAX
N 2		NSI 171447	WHEEL			34.95	69.90	T
1	SH	1	SHIPPING			16.20	16.20	

CASH TENDERED \$90.54

UNITS	GST/SP	FREIGHT	LABOR	MISC	CORE	LIST	NONTAX	TAXABLE	TAX
2	0.00	16.20	0.00	0.00		0.00	16.20	69.90	4.44
								PAY THIS AMOUNT	90.54

NEW MILFORD BRANCH  
LEVINE PAINT & AUTO SUPPLY 39 DANBURY RD NEW MILFORD, CT 06776  
860-210-0416  
SOUTH ST 203-731-3010 FEDERAL RD 203-731-3030  
MACHINE SHOP 203-731-3020



TIME: 11:32



FINE FOOD\*  
FOR FILM

\*REPRINT\*  
INV#:  
TYPE: CASH  
DATE: 09/20/16  
CTMN: 78 PAGE: 1

NEW MILFORD CT  
7.94% RETURNS

PH:

TERMS:

QTY	LIN	PART NUMBER	DESCRIPTION	CORE	LIST	PRICE	EXTENDED	TAX
N 2		NSI 17-144-7	WHEELS			32.02	64.04	T
1	SH 1		SHIPPING			15.71	15.71	

DEL TO MAVIS TIRE  
CASH TENDERED \$83.82

UNITS	GST/SP	FREIGHT	LABOR	MISC	CORE	LIST	NONTAX	TAXABLE	TAX
2	0.00	15.71	0.00	0.00		0.00	15.71	64.04	4.07

PAY THIS AMOUNT 83.82

NEW MILFORD BRANCH  
LEVINE PAINT & AUTO SUPPLY 39 DANBURY RD NEW MILFORD, CT 06776  
860-210-0416  
SOUTH ST 203-731-3010 FEDERAL RD 203-731-3030  
MACHINE SHOP 203-731-3020



TIME: 11:32



FINE FOOD\*  
FOR FILM

\*REPRINT\*  
INV#:  
TYPE: CASH  
DATE: 09/20/16  
CTMN: 78 PAGE: 1

NEW MILFORD CT  
7.94% RETURNS

PH:

TERMS:


QTY	LIN	PART NUMBER	DESCRIPTION	CORE	LIST	PRICE	EXTENDED	TAX
N 2		NSI 17-144-7	WHEELS			32.02	64.04	T
1	SH 1		SHIPPING			15.71	15.71	

DEL TO MAVIS TIRE  
CASH TENDERED \$83.82

UNITS	GST/SP	FREIGHT	LABOR	MISC	CORE	LIST	NONTAX	TAXABLE	TAX
2	0.00	15.71	0.00	0.00		0.00	15.71	64.04	4.07

PAY THIS AMOUNT 83.82

NEW MILFORD BRANCH  
 LEVINE PAINT & AUTO SUPPLY 39 DANBURY RD NEW MILFORD, CT 06776  
 860-210-0416  
 SOUTH ST 203-731-3010 FEDERAL RD 203-731-3030  
 MACHINE SHOP 203-731-3020


██████████  \*REPRINT\* TIME: 17:48 PO#: C/C  
 FINE FOOD\* INV#: ██████████  
 FOR FILM TYPE: CASH  
 DATE: 12/22/15  
 CTMN: 82 PAGE: 1  
 NEW MILFORD CT (██████████) PH: ██████████  
 7.94% RETURNS TERMS:  

QTY	LIN	PART NUMBER	DESCRIPTION	CORE	LIST	PRICE	EXTENDED	TAX
N 2	NSI	171447	NON-STOCKING IT			49.00	98.00	T
1	SH	1	SHIPPING			15.71	15.71	

 CASH TENDERED \$119.93

UNITS	GST/SP	FREIGHT	LABOR	MISC	CORE	LIST	NONTAX	TAXABLE	TAX
2	0.00	15.71	0.00	0.00		0.00	15.71	98.00	6.22
								PAY THIS AMOUNT	119.93

NEW MILFORD BRANCH  
 LEVINE PAINT & AUTO SUPPLY 39 DANBURY RD NEW MILFORD, CT 06776  
 860-210-0416  
 SOUTH ST 203-731-3010 FEDERAL RD 203-731-3030  
 MACHINE SHOP 203-731-3020

██████████  \*REPRINT\* TIME: 17:48 PO#: C/C  
 FINE FOOD\* INV#: ██████████  
 FOR FILM TYPE: CASH  
 DATE: 12/22/15  
 CTMN: 82 PAGE: 1  
 NEW MILFORD CT (██████████) PH: ██████████  
 7.94% RETURNS TERMS:  

QTY	LIN	PART NUMBER	DESCRIPTION	CORE	LIST	PRICE	EXTENDED	TAX
N 2	NSI	171447	NON-STOCKING IT			49.00	98.00	T
1	SH	1	SHIPPING			15.71	15.71	

 CASH TENDERED \$119.93

UNITS	GST/SP	FREIGHT	LABOR	MISC	CORE	LIST	NONTAX	TAXABLE	TAX
2	0.00	15.71	0.00	0.00		0.00	15.71	98.00	6.22
								PAY THIS AMOUNT	119.93

NEW MILFORD BRANCH  
LEVINE PAINT & AUTO SUPPLY 39 DANBURY RD NEW MILFORD, CT 06776  
860-210-0416  
SOUTH ST 203-731-3010 FEDERAL RD 203-731-3030  
MACHINE SHOP 203-731-3020

██████████  
FINE FOOD\*  
FOR FILM

TIME: 13:57

██████████  
\*REPRINT\*  
INV#: ██████████  
TYPE: CASH  
DATE: 10/06/15  
CTMN: 78 PAGE: 1

NEW MILFORD CT  
7.94% RETURNS

PH: ██████████

TERMS:

QTY	LIN	PART NUMBER	DESCRIPTION	CORE	LIST	PRICE	EXTENDED	TAX
N 1		NSI 17-447-7	WHEEL			42.95	42.95	T
1	SH 1		SHIPPING			11.211	11.21	

CASH TENDERED \$56.89

UNITS	GST/SP	FREIGHT	LABOR	MISC	CORE	LIST	NONTAX	TAXABLE	TAX
2	0.00	11.21	0.00	0.00		0.00	11.21	42.95	2.73

PAY THIS AMOUNT 56.89

NEW MILFORD BRANCH  
LEVINE PAINT & AUTO SUPPLY 39 DANBURY RD NEW MILFORD, CT 06776  
860-210-0416  
SOUTH ST 203-731-3010 FEDERAL RD 203-731-3030  
MACHINE SHOP 203-731-3020

██████████  
FINE FOOD\*  
FOR FILM

TIME: 13:57

██████████  
\*REPRINT\*  
INV#: ██████████  
TYPE: CASH  
DATE: 10/06/15  
CTMN: 78 PAGE: 1

NEW MILFORD CT  
7.94% RETURNS

PH: ██████████

TERMS:

QTY	LIN	PART NUMBER	DESCRIPTION	CORE	LIST	PRICE	EXTENDED	TAX
N 1		NSI 17-447-7	WHEEL			42.95	42.95	T
1	SH 1		SHIPPING			11.211	11.21	

CASH TENDERED \$56.89

UNITS	GST/SP	FREIGHT	LABOR	MISC	CORE	LIST	NONTAX	TAXABLE	TAX
2	0.00	11.21	0.00	0.00		0.00	11.21	42.95	2.73

PAY THIS AMOUNT 56.89

NEW MILFORD BRANCH  
LEVINE PAINT & AUTO SUPPLY 39 DANBURY RD NEW MILFORD, CT 06776  
860-210-0416  
SOUTH ST 203-731-3010 FEDERAL RD 203-731-3030  
MACHINE SHOP 203-731-3020



\*REPRINT\*

TIME: 11:02 PO#: C/C

FINE FOOD\*  
FOR FILM

INV#: [REDACTED]  
TYPE: CASH  
DATE: 09/24/15  
CTMN: 82 PAGE: 1

NEW MILFORD CT [REDACTED]\*

PH: [REDACTED]

TERMS:

QTY	LIN	PART NUMBER	DESCRIPTION	CORE	LIST	PRICE	EXTENDED	TAX
N 2		NSI 171447	REDNECK 326275			49.00	98.00	T
	1	SH 1	SHIPPING			25.08	25.08	

' ; ' ;  
' ; ' ;

CASH TENDERED \$129.30

UNITS	GST/SP	FREIGHT	LABOR	MISC	CORE	LIST	NONTAX	TAXABLE	TAX
2	0.00	25.08	0.00	0.00		0.00	25.08	98.00	6.22
PAY THIS AMOUNT								129.30	

NEW MILFORD BRANCH  
LEVINE PAINT & AUTO SUPPLY 39 DANBURY RD NEW MILFORD, CT 06776  
860-210-0416  
SOUTH ST 203-731-3010 FEDERAL RD 203-731-3030  
MACHINE SHOP 203-731-3020



\*REPRINT\*

TIME: 11:02 PO#: C/C

FINE FOOD\*  
FOR FILM

INV#: [REDACTED]  
TYPE: CASH  
DATE: 09/24/15  
CTMN: 82 PAGE: 1

NEW MILFORD CT [REDACTED]\*

PH: [REDACTED]

TERMS:

QTY	LIN	PART NUMBER	DESCRIPTION	CORE	LIST	PRICE	EXTENDED	TAX
N 2		NSI 171447	REDNECK 326275			49.00	98.00	T
	1	SH 1	SHIPPING			25.08	25.08	

' ; ' ;  
' ; ' ;

CASH TENDERED \$129.30

UNITS	GST/SP	FREIGHT	LABOR	MISC	CORE	LIST	NONTAX	TAXABLE	TAX
2	0.00	25.08	0.00	0.00		0.00	25.08	98.00	6.22
PAY THIS AMOUNT								129.30	

To [REDACTED]

03/05/12 at 7:03 PM

That's no even what I want to hear.....too many things to write about.

The reason that I want a list is because I'm going to have to pass it to the warranty department regardless if there are issues. When we talk there is a chance that I might not write something down correctly. If you send me a list I can just forward it to the warranty department and there's no chance of miscommunication. I'm going to call you regardless. I'm just trying to save some time by getting the list ahead of time.

Thank you,

Rick McKeithan  
President,  
A1A2Z, Inc.  
910-619-3988 (Traci - Sales Manager)  
910-619-3870 (Kendra - Sales Associate)  
910-524-1415 (E.B. - Sales Associate)  
1-877-45-TRAILER (Toll Free)  
Email: [askus@trailershowroom.com](mailto:askus@trailershowroom.com)  
Website: [www.trailershowroom.com](http://www.trailershowroom.com)

[REDACTED]

All is well here. Hope the same for you.

I'm out of town this week setting up a new business location.

I honestly don't know what to do about the axle issue. The manufacturer says that they are installed correctly and they say that the trailer is far out of warranty. I can argue with them about it but I can't force them to do anything partly because the trailer is out of warranty and partly because they are such a large company that I have a limited amount of pull with them anyway.

If I were you the first thing I would do is get with the axle manufacturer and see if they will agree to inspect the trailer and if the axles are really not installed correctly ask them to write you a document stating that. Then I would send a copy of the document to the manufacturer and ask them to correct the problem. If the axle manufacturer says that there is a problem with the way they were installed it seems to me that the manufacturer would be much more interested in dealing with it.

Thank you,

Rick McKeithan  
President,  
A1A2Z, Inc. (NC)  
McCorp, Inc. (TX)  
877-45-TRAILER (Toll Free)  
Website: [www.trailershowroom.com](http://www.trailershowroom.com)

**From:** [REDACTED]

**Sent:** Thursday, July 13, 2017 9:32 AM

**To:** [www.trailershowroom.com](http://www.trailershowroom.com)

**Subject:** [REDACTED]

Hi Rick

Hope all is well. we have been missing each other. I have someone interested in a trailer that I would build out for them. I sent in a request form not sure if it went through our not. Also I really would like to talk to you about the issues i have had with the axles and the response I got from Richard at Forest River. I spoke to the manufacture who has the axle numbers from the sale to Forest River and they were not installed properly. I have replaced over 13 tires with broken rims because of this issue. I cannot use my trailer as is. this is a really big problem. I would love to catch up with you first, on family and how everything is going. Then some idea on how we can do something about my issue. Hope to talk soon.

[REDACTED]  
[REDACTED]  
[REDACTED] *Fine Food For Film LLC.*

*New Milford, Ct.*

*Office* [REDACTED]

*Cell* [REDACTED]

*Web Site* [REDACTED]

VAUNA

Fed Trade Commission  
1 877 382 4357

Forest river Elhart Indiana 46515

Trailer Showroom  
2642 CAROLINA BEACH Rd  
Wilmington N.C. 28412  
877 458 7245

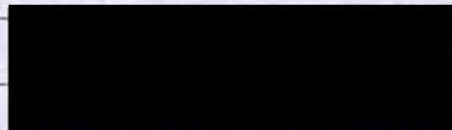
Forest River ~~to~~  
Complaining about wheels breaking  
Tires blowing Loosening Hubs  
Catching Fire

Failed To Provide a Solution or  
examine The ISSUE

This is unfair bussiness Trans action

Ref-  
#

#



FTC.gov — Check Status-

NATIONAL HIGHWAY Safty  
Administration

2/13/18

Dawn

888 327 4236

WWW.Safecar.Gov

Veh OWNERS

Veh | year Make

Trailer Safty complaint # 1107 2510

office of defect investigation

Copies suporting documents

update complaint

Standards

Timbucktu RV Parts  
 1048 Southbridge Street  
 Worcester MA USA 01610  
 Phone #:(508) 459-1132  
 Fax #: (508) 459-0734

Invoice Number: [REDACTED]  
 Tag Number: [REDACTED]  
 Date and Time In: 1/23/2018 - 2:20 PM  
 Date and Time Out: 1/23/2018 - 3:26 PM  
 Promised Date - Time: 1/23/2018 - 2:20 PM  
 Cashed Out Date: 1/23/2018 - 3:26 PM  
 Date Appointment Initiated: 1/23/2018  
 Service Advisor: (3482) Bucky Warren



[REDACTED] FINE FOODS FOR FILM LLC18668  
 [REDACTED]  
 NEW MILFORD CT [REDACTED]

Work: (860) 234-4455

Repair	Hrs	VIN	Requested Repair Description	Mech #	Type	Labor	Discount	Tot
1	3.00		REPLACE LEFT FRONT BRAKE ASSEMBLY,BRAKE DRUM AND TIRE AND WHEEL CAUSE: FRONT AXLE ON THE LEFT SIDE IS LOOSE AND MOVING AROUND AS IF SOMETHING IS BROKEN OR DISCONNECTED .THE AXELS SEEM TO BE UNDER SIZED FOR THIS TRAILER	3487	Retail	\$315.00	\$0.00	\$315.

Repair	Part #	Description	Qty	Retail Price	Savings	Selling Price	Extended Discount	Extended Price
1	27-300-B-ALB	HUB & DRUM 12" - 6 STUDS-5200#	1.00	\$96.79	\$0.00	\$96.79	\$0.00	\$96.79
1	9-13026	10" LH BRAKE ASSEMBLY K23-026-00	1.00	\$68.99	\$0.00	\$68.99	\$0.00	\$68.99
1	27-008	LUG NUT, 1/2 - 20 60 DEG. CONE	6.00	\$0.25	\$0.00	\$0.25	\$0.00	\$1.50
1	13-1817	CRC BRAKLEEN 1lb.3oz.	1.00	\$5.69	\$0.00	\$5.69	\$0.00	\$5.69
1	DX6-191	NEW STYLE JAM NUT--USE WITH	1.00	\$2.00	\$0.00	\$2.00	\$0.00	\$2.00
1	K71-317-00	E-Z LUBE 2.45" GREASE CAP	1.00	\$16.09	\$0.00	\$16.09	\$0.00	\$16.09
1	55-27025	5.2K BEARING KIT, 1-3/4" X 1-1/4" (	1.00	\$19.89	\$0.00	\$19.89	\$0.00	\$19.89
1	20532	15 X 6 SPK 6H-5.5 WH STR	1.00	\$42.69	\$0.00	\$42.69	\$0.00	\$42.69
1	USED	ST 225/75/R15 USED TIRE	1.00	\$60.00	\$0.00	\$60.00	\$0.00	\$60.00
1	DX5-57	D WASHER 2-1/2 OD 1" ID	1.00	\$2.86	\$0.00	\$2.86	\$0.00	\$2.86

Pay Type	CC #	Amount	Parts Total:	Ext Price:
VISA CARD		\$664.03	\$316.50	\$643.50
			Core Total: \$0.00	Sales Tax: \$20.53
			Freight Total: \$0.00	Total: \$664.03
			Sublet Total: \$0.00	- Deductible: \$0.00
			Labor Total: \$315.00	- Deposits: \$0.00
			- Labor Discount: \$0.00	Amount Due: \$664.03
			Other Charges: \$0.00	Amt Tendered: \$664.03
			Shop Supplies: \$12.00	Chg Returned: \$0.00
			Sub Total: \$643.50	
			- Parts Discount: \$0.00	

Signature: \_\_\_\_\_  
 I AGREE TO PAY THE ABOVE TOTAL AMOUNT  
 Cashed Out By: (3482) Bucky Warren  
 Cash Out Date: 1/23/2018  
 Cash Drawer: Parts1

FOREST RIVER - Cargo Division  
3731 California Rd.  
Elkhart, IN 46514

DATE: 02-24-2012

SOLD TO: AIAZ, Inc.  
#47632

SHIP TO: \_\_\_\_\_

PHONE: \_\_\_\_\_

PHONE: \_\_\_\_\_

PAYMENT TERMS

COD

FLOOR PLAN

WIRE TRANSFER

CASHIER/CERTIFIED

SERIAL NUMBER

AMOUNT

APNO 68832

NO PACKET

28,182.00

PARTS: \_\_\_\_\_

STUFFING FEE: \_\_\_\_\_

DISCOUNT: \_\_\_\_\_

TOTAL DUE TO FOREST RIVER, INC. PAID 28,182.00

FREIGHT

\_\_\_\_\_ MILES @ \$ \_\_\_\_\_ PER MILE + TOLLS

\_\_\_\_\_ Dealer Pay Driver Direct for freight charges + tolls

\_\_\_\_\_ Floor Planned Freight - Driver to bill Forest River, Inc.

\*Driver to collect ONLY tolls charges at time of delivery.

Transported By: CPD Driver Signature: \_\_\_\_\_

White: Driver

Canary: Accounting

Pink: Dispatch File

FOREST RIVER - Cargo Division  
3731 California Rd.  
Elkhart, IN 46514

DATE: 02-24-2012

SOLD TO: AIAZ, Inc.

SHIP TO: \_\_\_\_\_

#47632

PHONE: \_\_\_\_\_

PHONE: \_\_\_\_\_

PAYMENT TERMS

   COD

   FLOOR PLAN



WIRE TRANSFER

   CASHIER/CERTIFIED

SERIAL NUMBER

AMOUNT

APNO 68832

NO PACKET

28,182.00

PARTS: \_\_\_\_\_

STUFFING FEE: \_\_\_\_\_

DISCOUNT: \_\_\_\_\_

TOTAL DUE TO FOREST RIVER, INC. PAID 28,182.00

FREIGHT

\_\_\_\_\_ MILES @ \$ \_\_\_\_\_ PER MILE + TOLLS

\_\_\_\_\_ Dealer Pay Driver Direct for freight charges + tolls

\_\_\_\_\_ Floor Planned Freight - Driver to bill Forest River, Inc.

\*Driver to collect ONLY tolls charges at time of delivery.

Transported By: CPV Driver Signature

White: Driver

Canary: Accounting

Pink: Dispatch File



[REDACTED]

Your trailer is over 5 years old, long out of warranty. the axle were installed the same way we install axles welded to the frame. most of our axles come with a mounting bracket that welds to the frame and is bolted to the axle. the air ride axles do not come with a removable bracket so we weld the axle direct to the frame. per the manufactures guidelines. If you believe the axles are defective. I suggest you contact them but after 5 years I doubt they will cover anything but that's their call.

**Suspension Technology Industries**

1424 Scale St SW  
Canton, OH 44706 US

Phone: 330-458-3058  
Toll Free Phone: 888-877-3058

Fax: 330-458-3066

[www.ridetheair.com](http://www.ridetheair.com)



**DIESEL SERVICE INC.**

www.racdieselservice.com

# SERVICE INVOICE

42 OLD STATE ROAD  
 NEW MILFORD, CT. 06776  
 860-350-4710 FAX. 860-350-4713

Date	Invoice #
11/7/2013	[REDACTED]

**PAID**  
 02/20/2014



**FINE FOOD FOR FILM**  
 [REDACTED]  
 NEW MILFORD, CT [REDACTED]

TERMS	TELEPHONE #	P.O. NO.
	[REDACTED]	

UNIT #	YEAR MAKE MODEL	VIN #	LICENSE #	MILES / HOURS
	2012 FOREST RIVER	5NHWAFK35CN [REDACTED]	[REDACTED]	

PART #	QTY	REPAIR DESCRIPTION	NET	AMOUNT
755-1527	1	PROBLEM WITH ELECTRIC BRAKES	16.98	16.98T
SS	1	PLUG RV	5.00	5.00T
LABOR HOURS	3	SHOP SUPPLIES USED	100.00	300.00T
		REPLACED PLUG END ON TRAILER CORD, REPAIRED GROUND CONNECTION UNDER TRAILER ON FRAME, CHECKED WIRING FROM JUNCTION BOX TO ALL 3 AXLES, FOUND BROKEN WIRE AT LEFT REAR BRAKE, REPAIRED WIRE AND TEST DROVE, STILL HAD INTERMITTENT PROBLEM, DISCONNECTED WIRING FOR BOTH LEFT AND RIGHT BRAKES ON REAR AXLE, TESTED WIRING WITH TEST MAGNET, TESTED MAGNETS FOR A SHORT OR OPEN, LEFT SIDE BRAKE STILL SHOWED A OPEN CIRCUIT, REMOVED TIRE AND BRAKE DRUM, REMOVED WIRING FROM BACKING PLATE AND CUT SECTION OF WIRE OUT THAT WAS CRIMPED DOWN FROM BUSHING, REASSEMBLED AND TEST DROVE AGAIN		

ALL CHARGES FOR SERVICES ARE NET- DUE AND PAYABLE UPON RECEIPT OF INVOICE, late charge of 1 1/2% [18% APR] per annum will be charged if unpaid by the 10th of the following month. Terms subject to change. Labor is guaranteed 90 days or 4000 miles which ever occurs first. All other guarantees are made by the manufacturer. Warranty work on this invoice must be performed by RAC DIESEL SERVICE INC. I accept charges and terms of this agreement.

**Subtotal** \$321.98

**Sales Tax (6.35%)** \$20.45

**TOTAL \$342.43**

SIGNATURE \_\_\_\_\_



**DIESEL SERVICE INC.**

www.racdieselservice.com

# SERVICE INVOICE

42 OLD STATE ROAD  
 NEW MILFORD, CT. 06776  
 860-350-4777 FAX. 860-350-4713

Date	Invoice #
11/12/2014	[REDACTED]

**PAID**  
 11/17/2014



**FINE FOOD FOR FILM**  
 [REDACTED]  
 NEW MILFORD, CT  
 [REDACTED]

TERMS		TELEPHONE #	[REDACTED]	P.O. NO.	
-------	--	-------------	------------	----------	--

UNIT #	YEAR MAKE MODEL	VIN #	LICENSE #	MILES / HOURS
	2012 FOREST RIVER	5NHWAFK35CN [REDACTED]	[REDACTED]	

PART #	QTY	REPAIR DESCRIPTION	NET	AMOUNT
502007	12	CHECK SUSPENSION		
	12	BUSHING STI TORQUE ROD	24.65	295.80T
502018	12	THRUST WASHER STI TORQUE ROD	5.30	63.60T
F17U23-153	18	U BOLT STI	13.95	251.10T
F40051-083	36	WASHER FLAT STI	1.00	36.00T
F36005-153	36	NUT U BOLT STI	2.00	72.00T
FREIGHT	1	FREIGHT 1ST ORDER AND RETURN, AND 2ND ORDER IN	70.00	70.00T
SS	1	SHOP SUPPLIES USED	5.00	5.00T
LABOR HOURS	7	REPLACED WORN TORQUE ROD BUSHINGS, INSTALLED NEW U BOLTS,	110.00	770.00T
SS	2	SHOP SUPPLIES USED	5.00	10.00T
LABOR HOURS	1	REMOVED LEFT REAR WHEEL AND HUB, INSTALLED TEMPORARY BRASS BUSHING	110.00	110.00T
LABOR HOURS	0.5	DOT INSPECTION INSPECTION DONE	110.00	55.00T

ALL CHARGES FOR SERVICES ARE NET· DUE AND PAYABLE UPON RECEIPT OF INVOICE, late charge of 1 1/2% [18% APR] per annum will be charged if unpaid by the 10th of the following month. Terms subject to change.Labor is guaranteed 90 days or 4000 miles which ever occurs first. All other guarantees are made by the manufacturer. Warranty work on this invoice must be performed by RAC DIESEL SERVICE INC. I accept charges and terms of this agreement.

SIGNATURE

<b>Subtotal</b>	\$1,738.50
<b>Sales Tax (6.35%)</b>	\$110.39
<b>TOTAL</b>	<b>\$1,848.89</b>



**DIESEL SERVICE INC.**

www.racdieselservice.com

# SERVICE INVOICE

42 OLD STATE ROAD  
 NEW MILFORD, CT. 06776  
 860-350-4717 FAX. 860-350-4713

Date	Invoice #
1/23/2015	[REDACTED]

**PAID**  
 02/02/2015



[REDACTED] FINE FOOD FOR FILM  
 [REDACTED]  
 NEW MILFORD, CT [REDACTED]

TERMS	TELEPHONE #	P.O. NO.
	[REDACTED]	

UNIT #	YEAR MAKE MODEL	VIN #	LICENSE #	MILES / HOURS
	2012 FOREST RIVER	5NHWAFK35CN [REDACTED]	[REDACTED]	

PART #	QTY	REPAIR DESCRIPTION	NET	AMOUNT
LABOR R/C HOURS	1	ROADCALL TO HOUSE, CHECK PROBLEM WITH AIR RIDE TRACED BATTERY POWER TO RELAY UNDER FRONT OF TRAILER, FOUND BAD CONNECTION AT RELAY, REPLACED TERMINAL END ON WIRE AND TESTED	125.00	125.00T

ALL CHARGES FOR SERVICES ARE NET- DUE AND PAYABLE UPON RECEIPT OF INVOICE, late charge of 1 1/2% [18% APR] per annum will be charged if unpaid by the 10th of the following month. Terms subject to change. Labor is guaranteed 90 days or 4000 miles which ever occurs first. All other guarantees are made by the manufacturer. Warranty work on this invoice must be performed by RAC DIESEL SERVICE INC. I accept charges and terms of this agreement.

SIGNATURE

**Subtotal** \$125.00

**Sales Tax (6.35%)** \$7.94

**TOTAL** \$132.94



**DIESEL SERVICE INC.**

www.racdieselservice.com

# SERVICE INVOICE

42 OLD STATE ROAD  
 NEW MILFORD, CT. 06776  
 860-350-4713 FAX. 860-350-4713

Date	Invoice #
8/20/2015	[REDACTED]

**PAID**  
 8/24/2015



**FINE FOOD FOR FILM**  
 [REDACTED]  
 NEW MILFORD, CT [REDACTED]

TERMS	TELEPHONE #	P.O. NO.
	[REDACTED]	

UNIT #	YEAR MAKE MODEL	VIN #	LICENSE #	MILES / HOURS
	2012 FOREST RIVER	5NHWAFK35CN [REDACTED]	[REDACTED]	

PART #	QTY	REPAIR DESCRIPTION	NET	AMOUNT
		AIR BAG PROBLEM		
38200	2	BOLT	1.25	2.50T
38002	2	LOCK WASHER	0.40	0.80T
1468X4X4	1	FITTING	8.00	8.00T
3327X4	1	FITTING	3.60	3.60T
3300X4	1	FITTING	4.00	4.00T
502024	1	AIR BAG	170.00	170.00T
FREIGHT	1	FREIGHT IN NDA (CANADA)	77.30	77.30T
725367	2	TERMINAL HEAT SHRINK	1.50	3.00T
725348	2	TERMINAL HEAT SHRINK	1.50	3.00T
SS	6	SHOP SUPPLIES USED WELDING	6.00	36.00T
LABOR HOURS	7.5	ROADCALL TO HOUSE TO CHECK PROBLEM WITH SUSPENSION, LEFT REAR AXLE AIR BAG SEPARATED, NEED TRAILER AT SHOP TO REPAIR. CUT AXLE MOUNTING OFF OF FRAME RAIL TO GAIN ACCESS TO TOP MOUNTING BOLTS FOR AIR BAG, REMOVED BOLTS AND AIR LINE FITTING, INSTALLED NEW AIR BAG, CLEANED ALL SURFACES TO WELD AXLE BACK IN PLACE, WELDED AXLE AND CONNECTED AIR LINES, REPAIRED WIRING FOR ELECTRIC BRAKES. INSTALLED TIRE AND APPLIED AIR TO SYSTEM TO CHECK FOR LEVELING OF TRAILER	110.00	825.00T

ALL CHARGES FOR SERVICES ARE NET- DUE AND PAYABLE UPON RECEIPT OF INVOICE, late charge of 1 1/2% [18% APR] per annum will be charged if unpaid by the 10th of the following month. Terms subject to change. Labor is guaranteed 90 days or 4000 miles which ever occurs first. All other guarantees are made by the manufacturer. Warranty work on this invoice must be performed by RAC DIESEL SERVICE INC. I accept charges and terms of this agreement.

SIGNATURE

**Subtotal** \$1,133.20

**Sales Tax (6.35%)** \$71.96

**TOTAL \$1,205.16**



**DIESEL SERVICE INC.**

www.racdieselservice.com

# SERVICE INVOICE

42 OLD STATE ROAD  
 NEW MILFORD, CT. 06776  
 860-350-4711 FAX. 860-350-4713

Date	Invoice #
8/8/2016	[REDACTED]

**PAID**  
 08/16/2016



[REDACTED] FINE FOOD FOR FILM  
 [REDACTED]  
 NEW MILFORD, CT [REDACTED]

TERMS	TELEPHONE #	P.O. NO.
	[REDACTED]	

UNIT #	YEAR MAKE MODEL	VIN #	LICENSE #	MILES / HOURS
	2012 FOREST RIVER	5NHWAFK35CN [REDACTED]	[REDACTED]	

PART #	QTY	REPAIR DESCRIPTION	NET	AMOUNT
502024	1	AIR BAG	170.00	170.00T
FREIGHT	1	AIR BAG	17.50	17.50T
LABOR HOURS	1.5	FREIGHT IN	115.00	172.50T
		REPLACED BLOWN OUT AIR BAG		
64885	4	ROLLER STEEL WELD ON	87.00	348.00T
FREIGHT	1	FREIGHT IN	38.00	38.00T

ALL CHARGES FOR SERVICES ARE NET- DUE AND PAYABLE UPON RECEIPT OF INVOICE. late charge of 1 1/2% [18% APR] per annum will be charged if unpaid by the 10th of the following month. Terms subject to change. Labor is guaranteed 90 days or 4000 miles which ever occurs first. All other guarantees are made by the manufacturer. Warranty work on this invoice must be performed by RAC DIESEL SERVICE INC. I accept charges and terms of this agreement.

SIGNATURE \_\_\_\_\_

<b>Subtotal</b>	\$746.00
<b>Sales Tax (6.35%)</b>	\$47.37
<b>TOTAL</b>	<b>\$793.37</b>



**DIESEL SERVICE INC.**

www.racdieselservice.com

# SERVICE INVOICE

42 OLD STATE ROAD  
 NEW MILFORD, CT. 06776  
 860-350-3777 FAX. 860-350-4713

Date	Invoice #
8/18/2016	[REDACTED]

**PAID**  
 08/29/2016



[REDACTED] **FINE FOOD FOR FILM**  
 [REDACTED]  
 NEW MILFORD, CT [REDACTED]

TERMS	TELEPHONE #	P.O. NO.
	[REDACTED]	

UNIT #	YEAR MAKE MODEL	VIN #	LICENSE #	MILES / HOURS
	2012 FOREST RIVER	5NHWAFK35CN [REDACTED]	[REDACTED]	

PART #	QTY	REPAIR DESCRIPTION	NET	AMOUNT
FIRE X 3	1	WHEEL AND BRAKE PROBLEM LEFT CENTER AXLE		
LM67010VP	1	FIRE EXTINGUISHER 3 LB	37.25	37.25T
LM67048VP	1	BEARING	10.00	10.00T
LUBE W/B	1	BEARING	19.95	19.95T
BC100	1	WHEEL BEARING LUBE	3.50	3.50T
SS	1	BRAKE CLEAN	9.15	9.15T
LABOR HOURS	5	SHOP SUPPLIES USED	6.00	6.00T
		BYPASSED LEAKING AIR BAG, REMOVED DAMAGED BRAKE PARTS. CLEANED DAMAGED SURFACES ON SPINDLE, INSTALLED NEW BRAKE BACKING PLATE ASSEMBLY, REPLACED WHEEL BEARINGS AND SEAL, INSTALLED HUB, ADJUSTED BRAKE	115.00	575.00T

ALL CHARGES FOR SERVICES ARE NET- DUE AND PAYABLE UPON RECEIPT OF INVOICE, late charge of 1 1/2% [18% APR] per annum will be charged if unpaid by the 10th of the following month. Terms subject to change. Labor is guaranteed 90 days or 4000 miles which ever occurs first. All other guarantees are made by the manufacturer. Warranty work on this invoice must be performed by RAC DIESEL SERVICE INC. I accept charges and terms of this agreement.

<b>Subtotal</b>	\$660.85
<b>Sales Tax (6.35%)</b>	\$41.96

**TOTAL \$702.81**

SIGNATURE \_\_\_\_\_



**DIESEL SERVICE INC.**

www.racdieselservice.com

# SERVICE INVOICE

42 OLD STATE ROAD  
 NEW MILFORD, CT. 06776  
 860-350-3777 FAX. 860-350-4713

Date	Invoice #
8/25/2016	[REDACTED]

**PAID**  
 08/29/2016



**FINE FOOD FOR FILM**  
 NEW MILFORD, CT

TERMS	TELEPHONE #	P.O. NO.
-------	-------------	----------

UNIT #	YEAR MAKE MODEL	VIN #	LICENSE #	MILES / HOURS
	2012 FOREST RIVER	5NHWAFK35CN [REDACTED]	[REDACTED]	

PART #	QTY	REPAIR DESCRIPTION	NET	AMOUNT
502024	2	AIR BAG LEAKING	170.00	340.00T
FREIGHT	1	AIR BAG	18.20	18.20T
38100	4	FREIGHT IN	0.85	3.40T
3327X4	1	BOLT	3.60	3.60T
3300X4	1	FITTING	4.00	4.00T
1468X4X4	1	FITTING	8.00	8.00T
LABOR HOURS	2.5	REPLACED AIR BAG ON LEFT CENTER AXLE	115.00	287.50T

ALL CHARGES FOR SERVICES ARE NET- DUE AND PAYABLE UPON RECEIPT OF INVOICE. late charge of 1 1/2% [18% APR] per annum will be charged if unpaid by the 10th of the following month. Terms subject to change. Labor is guaranteed 90 days or 4000 miles which ever occurs first. All other guarantees are made by the manufacturer. Warranty work on this invoice must be performed by RAC DIESEL SERVICE INC. I accept charges and terms of this agreement.

**Subtotal** \$664.70

**Sales Tax (6.35%)** \$42.21

**TOTAL \$706.91**

SIGNATURE \_\_\_\_\_



**DIESEL SERVICE INC.**

www.racdieselservice.com

**FINE FOOD FOR FILM**

**NEW MILFORD, CT**

# SERVICE INVOICE

42 OLD STATE ROAD  
 NEW MILFORD, CT. 06776  
 860-350-1177 FAX. 860-350-4713

Date	Invoice #
10/14/2016	[REDACTED]

**PAID**  
 10/14/2016



TERMS	TELEPHONE #	P.O. NO.
	[REDACTED]	

UNIT #	YEAR MAKE MODEL	VIN #	LICENSE #	MILES / HOURS
	2012 FOREST RIVER	5NHWAFK35CN [REDACTED]	[REDACTED]	

PART #	QTY	REPAIR DESCRIPTION	NET	AMOUNT
LABOR HOURS	1.5	AIR BAG LEAKING, RIM BROKEN REPLACED LEAKING AIR BAG ON LEFT REAR AXLE, REPLACED TIRE AND RIM ON LEFT FRONT AXLE	115.00	172.50T

ALL CHARGES FOR SERVICES ARE NET- DUE AND PAYABLE UPON RECEIPT OF INVOICE. late charge of 1 1/2% [18% APR] per annum will be charged if unpaid by the 10th of the following month. Terms subject to change. Labor is guaranteed 90 days or 4000 miles which ever occurs first. All other guarantees are made by the manufacturer. Warranty work on this invoice must be performed by RAC DIESEL SERVICE INC. I accept charges and terms of this agreement.

**Subtotal** \$172.50

**Sales Tax (6.35%)** \$10.95

**TOTAL \$183.45**

SIGNATURE

[REDACTED SIGNATURE LINE]



**DIESEL SERVICE INC.**

www.racdieselservice.com

# SERVICE INVOICE

42 OLD STATE ROAD  
 NEW MILFORD, CT. 06776  
 860-350-4713 FAX. 860-350-4713

Date	Invoice #
1/13/2017	[REDACTED]

**PAID**  
 01/17/2017

[REDACTED] FINE FOOD FOR FILM  
 NEW MILFORD, CT [REDACTED]



TERMS	TELEPHONE #	P.O. NO.
	[REDACTED]	

UNIT #	YEAR MAKE MODEL	VIN #	LICENSE #	MILES / HOURS
	2012 FOREST RIVER	5NHWAFK35CN [REDACTED]	[REDACTED]	

PART #	QTY	REPAIR DESCRIPTION	NET	AMOUNT
1468X4	1	AIR BAR AND TIRE ISSUES	7.20	7.20T
725348	4	FITTING	1.50	6.00T
SS	1	TERMINAL HEAT SHRINK	6.00	6.00T
LABOR HOURS	4	SHOP SUPPLIES USED	115.00	460.00T
		JACKED UP RIGHT SIDE, REMOVED 3RD AXLE TIRE, REMOVED LOWER PORTION OF AIR BAG, NOTCHED FRAME TO GET TO TOP BOLTS AND FITTING FOR AIR BAG, REMOVED OLD AIR BAG AND INSTALLED NEW AIR BAG, INSTALLED NEW AIR FITTING FOR AIR BAG, REPAIRED WIRING FOR BRAKE, REPAIRED LINK ON LEVELING VALVE THAT HAD COME APART, INSTALLED TIRE AND TESTED AIR OPERATION.		
		REMOVED TIRE AND BRAKE DRUM FROM 2ND AXLE, REPAIRED BROKEN WIRING FOR BRAKES, ASSEMBLED		
		SWAPPED 1ST AXLE TIRE WITH SPARE		
		REPAIRED LOOSE CONNECTIONS AT AIR COMPRESSOR RELAY		

ALL CHARGES FOR SERVICES ARE NET- DUE AND PAYABLE UPON RECEIPT OF INVOICE, late charge of 1 1/2% [18% APR] per annum will be charged if unpaid by the 10th of the following month. Terms subject to change. Labor is guaranteed 90 days or 4000 miles which ever occurs first. All other guarantees are made by the manufacturer. Warranty work on this invoice must be performed by RAC DIESEL SERVICE INC. I accept charges and terms of this agreement.

SIGNATURE \_\_\_\_\_

<b>Subtotal</b>	\$479.20
<b>Sales Tax (6.35%)</b>	\$30.43
<b>TOTAL</b>	<b>\$509.63</b>

Course of events Forest River Continental Trailer 5NHUAPK35CN [REDACTED]

- Break wiring not completed adequately, improperly installed. This happened at the pickup of the trailer and was told that it was because they never installed air ride suspension before.
- I called the dealer with some of the issues I had with the trailer and was directed to the manufacturer. The person I had several conversations with from Forest River was Richard Allinger.
- I had 2 rims crack and tires blown Mr. Allinger said he had never had any issues and could not provide a solution to the problem.
- I called the dealer Trailer Showroom Mr. Rick McKeithan, he referred me back to the manufacturer.
- I have broken over 15 rims, blown as many tires, replaced an unusual amount of bearings. Lost entire wheels and tires from the trailer while driving.
- The axle system only would take the size tire and rim that was installed I researched to see what I could do to stop this from happening. With all the research no one could give me a solution.
- I had an Airbag blow on the suspension when I had RAC truck repair look at it. I was told that the air ride system was improperly installed.
- I contacted the manufacturer of the axle Company, Timbren Industries. I was told by a specialist that according to the pictures I sent him it looked as if the air ride system was installed improperly. As well the specialist Jeff Scott, told me the axles were light duty and not suitable for the trailer. The wheel and tire rating was not suitable.
- Additional repair done by Timbaktu RV Parts Co. Found the axles were inadequate for the trailer as reported in the repair bill.
-

Timbucktu RV Parts  
 1048 Southbridge Street  
 Worcester MA USA 01610  
 Phone #:(508) 459-1132  
 Fax #: (508) 459-0734

Invoice Number: [REDACTED]

Tag Number: [REDACTED]

Date and Time In: 1/23/2018 - 2:20 PM

Date and Time Out: 1/23/2018 - 3:26 PM

Promised Date - Time: 1/23/2018 - 2:20 PM

Cashed Out Date: 1/23/2018 - 3:26 PM

Date Appointment Initiated: 1/23/2018

Service Advisor: (3482) Bucky Warren

[REDACTED] FINE FOODS FOR FILM LLC18668  
 [REDACTED]  
 NEW MILFORD CT [REDACTED]

Work: [REDACTED]

Repair	Hrs	VIN	Requested Repair Description	Mech #	Type	Labor	Discount	Tc
1	3.00		REPLACE LEFT FRONT BRAKE ASSEMBLY,BRAKE DRUM AND TIRE AND WHEEL CAUSE: FRONT AXLE ON THE LEFT SIDE IS LOOSE AND MOVING AROUND AS IF SOMETHING IS BROKEN OR DISCONNECTED .THE AXELS SEEM TO BE UNDER SIZED FOR THIS TRAILER	3487	Retail	\$315.00	\$0.00	\$315

Repair	Part #	Description	Qty	Retail Price	Savings	Selling Price	Extended Discount	Extended Price
1	27-300-B-ALB	HUB & DRUM 12" - 6 STUDS-5200#	1.00	\$96.79	\$0.00	\$96.79	\$0.00	\$96.79
1	9-13026	10" LH BRAKE ASSEMBLY K23-026-00	1.00	\$68.99	\$0.00	\$68.99	\$0.00	\$68.99
1	27-008	LUG NUT, 1/2 - 20 60 DEG. CONE	6.00	\$0.25	\$0.00	\$0.25	\$0.00	\$1.50
1	13-1817	CRC BRAKLEEN 1lb.3oz	1.00	\$5.69	\$0.00	\$5.69	\$0.00	\$5.69
1	DX6-191	NEW STYLE JAM NUT---USE WITH	1.00	\$2.00	\$0.00	\$2.00	\$0.00	\$2.00
1	K71-317-00	E-Z LUBE 2.45" GREASE CAP	1.00	\$16.09	\$0.00	\$16.09	\$0.00	\$16.09
1	55-27025	5.2K BEARING KIT, 1-3/4" X 1-1/4" (	1.00	\$19.89	\$0.00	\$19.89	\$0.00	\$19.89
1	20532	15 X 6 SPK 6H-5.5 WH STR	1.00	\$42.69	\$0.00	\$42.69	\$0.00	\$42.69
1	USED	ST 225/75/R15 USED TIRE	1.00	\$60.00	\$0.00	\$60.00	\$0.00	\$60.00
1	DX5-57	D WASHER 2-1/2 OD 1" ID	1.00	\$2.86	\$0.00	\$2.86	\$0.00	\$2.86

Pay Type	CC #	Amount	Parts Total:	Ext Price:
VISA CARD		\$664.03	\$316.50	\$643.50
			Core Total:	Sales Tax:
			\$0.00	\$20.50
			Freight Total:	Total:
			\$0.00	\$664.00
			Sublet Total:	- Deductible:
			\$0.00	\$0.00
			Labor Total:	- Deposits:
			\$315.00	\$0.00
			- Labor Discount:	Amount Due:
			\$0.00	\$664.00
			Other Charges:	Amt Tendered:
			\$0.00	\$664.00
			Shop Supplies:	Chg Returned:
			\$12.00	\$0.00
			Sub Total:	
			\$643.50	
			- Parts Discount:	
			\$0.00	

Signature: \_\_\_\_\_  
 I AGREE TO PAY THE ABOVE TOTAL AMOUNT  
 Cashed Out By: (3482) Bucky Warren  
 Cash Out Date: 1/23/2018  
 Cash Drawer: Parts1



320 Hopkins Street  
 Whitby, ON, L1N 2B9, Canada  
 Tel. (905) 444-9004 Fax (905) 444-9005  
 Visit us at www.timbren.com  
 GST # R105287239

# INVOICE

Date of Invoice: Jan 5, 2017

Bill to:

NEW MILFORD, CT  
 USA

Ship to:

NEW MILFORD, CT  
 USA

Acct No.	Date Shipped	Shipped Via	Reference	Terms	Your Order Number
	Jan 5, 17	UPS(c/c)		VISA	

Quantity	B/O	Item Number	Description	Unit Price	Amount
2.0	0.0	502024	STI SST SUSP. STEEL/RUBBER AIR SPRING 1ZR1882F0350649078	100.00	200.00
				Subtotal	200.00
				Freight	13.00
				<b>TOTAL</b>	<b>213.00</b>

Payable in US Funds

Thank You

[REDACTED] Fine Food For Film LLC.

[REDACTED]  
New Milford, CT.  
[REDACTED]

Trailer Showroom Inc.

December 1, 2017

Hi Rick

I am writing this letter to you concerning the issues that I have had with the axel installation on my trailer. When I had a rim crack while driving 5 years ago I call you and you instructed me to contact the Forest River, as I did and was told that they did not know how that could happen and dismissed it. I also had issues with the air ride system and the bags blowing. This was brought to Forest River attention and no answer was given to me as to why this could happen.

I did the research and found that the axels were improperly installed. I have documentation from the axel manufacturer Timbren Inc. with instruction that was sent to Forest River and parts list. These instructions show the axels were not properly constructed. With additional research I found that they were also light duty and not sufficient for the application. All parties were aware that this trailer was going to be used as a mobile kitchen. I trusted that the manufacturer would properly build this trailer. I realized that the statement made by a Forest River employee at the time that I picked up the trailer to me "we never did an air ride system before" was a key statement that showed incompetence. To rectify this problem the axels need to be replaced with all components. This has to be done in a timely fashion to avoid business interruption. It has already cost me a substantial amount of money and lost revenue. More importantly has not caused to date any unreparable damages. I look forward to getting to a resolution soon.

Sincerely

[REDACTED]

MAVIS - Tire Purchased for Trailer

	<u>234.4445</u>
12/1/12	8/31/14
5/25/14	7/27/14
2/20/15	7/8/14
2/20/15	11/5/15
4/22/15	1/20/16
9/20/15	7/20/16
9/13/14	9/25/16
2/13/16	<del>8/1</del>
8/5/14	

Recorded under [REDACTED] comp #

Hi [REDACTED]

This picture here shows me that the suspension has a frame rail or something above the air spring.

This will make it impossible to access the bolts to replace the spring.

I have also attached a drawing of the upper air spring plate with the mounting area highlighted so someone can see how to install it.

Jeff Scott

Suspension Specialist

Timbren Industries/STI

320 Hopkins Street

Whitby, ON

L1N 2B9

Canada

[www.timbren.com](http://www.timbren.com)

[www.ridettheair.com](http://www.ridettheair.com)

[jscott@timbren.com](mailto:jscott@timbren.com)

ph [888 877-3058](tel:888-877-3058)

fax [905 444-9005](tel:905-444-9005)

**From:** Timbren Sales <sales@timbren.com>

**To:** [REDACTED]

**Sent:** Thursday, September 7, 2017 5:35 PM

**Subject:** Re: [REDACTED] Trailer Axels

Good afternoon [REDACTED]

Due to old records from STI before they were purchased by us, Timbren, what we thought to be an LBS-STI is actually an LBS-SST which has been discontinued by Timbren for the most part for the last 5 years. Looking at them from afar, they may look similar but are two completely different creatures. Fear not, we're digging in our archives to find the best and cheapest solution for you.

For now, we would recommend to have the alignment of your axles checked, and also have the torque rods tested for any bushing wear. Changing the brake hubs for some 865 and getting tires rated for 6000lbs at 60mph would definitely help against the drag and twist, though it may not resolve the cause of the problem.

If worst comes to worst, changing the whole suspension for some 6K STIs may end up being the best solution for you as it is still a supported product, but it is definitely not the cheapest.

We'll be in touch

Thank you,  
Benjamin

Timbren Industries Inc.

320 Hopkins Street

Whitby, ON, L1N 2B9

Canada

Phone 800-263-3113, 905-444-9004

Fax 905-444-9005

email: sales@timbren.com

web site: www.timbren.com

CONFIDENTIALITY NOTICE: The information contained in this email, including any attachments, is confidential, intended only for the named recipient, and may be legally privileged. If you are not the intended recipient, you are hereby notified that any disclosure, copying, distribution, or action taken in reliance on the contents of these documents is strictly prohibited. If you have received this email in error, please (1) delete the email and any attachments, (2) destroy any printouts that you may have made, and (3) notify the sender immediately by return email. Thank you

On Thu, Sep 7, 2017 at 1:08 PM, Timbren Sales <sales@timbren.com> wrote:

Good afternoon [REDACTED]

Thank you for those pictures, I'll have a look over that with engineering and quality control. I'll email you with a few solutions and costs later today.

I'll be out of office shortly and should be back by 14:30pm

If you need to talk to one of our rep regarding this, you can talk to Murray. He's our customer service manager and is aware of the issue.

Thank you,  
Benjamin

Timbren Industries Inc.

320 Hopkins Street

Whitby, ON, L1N 2B9

Canada

Phone [800-263-3113](tel:800-263-3113), [905-444-9004](tel:905-444-9004)

Fax [905-444-9005](tel:905-444-9005)

email: [sales@timbren.com](mailto:sales@timbren.com)

web site: [www.timbren.com](http://www.timbren.com)

CONFIDENTIALITY NOTICE: The information contained in this email, including any attachments, is confidential, intended only for the named recipient, and may be legally privileged. If you are not the intended recipient, you are hereby notified that any disclosure, copying, distribution, or action taken in reliance on the contents of these documents is strictly prohibited. If you have received this email in error, please (1) delete the email and any attachments, (2) destroy any printouts that you may have made, and (3) notify the sender immediately by return email. Thank you

On Thu, Sep 7, 2017 at 12:11 PM, [REDACTED] wrote:

Hi Ben

I attached the photos of the axle instantiation. Let me know what you think?

Thank you for your time

[REDACTED]  
*Fine Food For Film LLC.*

[REDACTED]  
*New Milford, Ct.*

*Office* [REDACTED]

*Cell* [REDACTED]

*Web Site* [REDACTED]

The River Indians Lacrosse Club <http://riverindianslacrosse.com>

Good afternoon [REDACTED]

If our suggestions from last month didn't work for you, what could be done is replace the bushings in the torque rod housing. Be aware that doing this may bring up a whole lot of issues for you.

1. While we can do the replacement of the bushings, if the torque rods are in poor shape, note that we cannot replace them as we do not have the material to do so.
2. If some of the hardware/material break during the work, we cannot guarantee that we still have the part available in stock
3. You also have to consider the labour time involved

I've been discussing with the pricing department regarding what we can do for you.

We have a sponsorship program that will give you back 20% of the total cost on parts. Basically, you pay the full amount upfront, and then we send you a check with the money for you to deposit once the suspension is built and shipped. All we ask from you is to place an STI sticker (11.5" by 8") somewhere on the side of your trailer.

You can also potentially save money on the Wheel End Kit if you are able to reuse your current brake hubs. I recommend having them looked at by a trailer shop tech to ensure their reusability.

I'll send you some more info if you are interested

Thank you,  
Benjamin

Timbren Industries Inc.  
320 Hopkins Street  
Whitby, ON, L1N 2B9  
Canada  
Phone 800-263-3113, 905-444-9004  
Fax 905-444-9005  
email: [sales@timbren.com](mailto:sales@timbren.com)  
web site: [www.timbren.com](http://www.timbren.com)

CONFIDENTIALITY NOTICE: The information contained in this email, including any attachments, is confidential, intended only for the named recipient, and may be legally privileged. If you are not the intended recipient, you are hereby notified that any disclosure, copying, distribution, or action taken in reliance on the contents of these documents is strictly prohibited. If you have received this email in error, please (1) delete the email and any attachments, (2) destroy any printouts that you may have made, and (3) notify the sender immediately by return email. Thank you

On Thu, Oct 12, 2017 at 9:22 AM, [REDACTED] wrote:  
Hi Benjamin

If you have time today I would love to see what engineering has come up with as a solution. What the cost would be to replace the axles if I should go to 3 6K

[REDACTED]

[REDACTED] *Fine Food For Film LLC.*

[REDACTED]  
*New Milford, Ct.*

*Office* [REDACTED]

*Cell* [REDACTED]

*Web Site* [REDACTED]

The River Indians Lacrosse Club [http:// riverindianslacrosse.com](http://riverindianslacrosse.com)

# ORDER ACKNOWLEDGEMENT

**Suspension Technology Industries**  
**A Division of Brechbuhler Scales, Inc.**  
 1424 SCALE STREET SW  
 CANTON OH 44706

Order	██████████
Date	11/15/2011
Page	1

Fax: 330-458-3066  
 Phone: 330-458-3058

**Bill To:**

FOREST RIVER, INC.  
 PO BOX 3030  
 ELKHART IN 46515-3030

**Ship To:**

FOREST RIVER, INC.  
 3731 CALIFORNIA ROAD  
 CR 12  
 ELKHART IN 46514

Purchase Order No.		Customer ID	Salesperson ID	Shipping Method	Payment Terms	Req Ship Date	Master No.
██████████		FORESTRIVER	B. GLUNTZ	GLOBALTRANZ	NET 30	11/30/2011	3,363
Ordered	Shipped	B/O	Item Number	Description	Discount	Unit Price	Ext. Price
3	3	0	LBS05.2-006	5,200# AIR RIDE SUSPENSION, EZ LUBE, ELECTRIC DRUM BRAKE	\$0.00	\$995.00	\$2,985.00
1	1	0	AK100-019V	AIR SUPPLY KIT: CONTINUOUS DUTY PANEL KIT WITH COMPRES	\$0.00	\$935.00	\$935.00

THANK YOU FOR YOUR BUSINESS!

Subtotal	\$3,920.00
Misc	\$0.00
Tax	\$0.00
Freight	\$164.45
Trade Discount	\$0.00
<b>Total</b>	<b>\$4,084.45</b>



FAXED

11-16-11

**SUSPENSION TECHNOLOGY INDUSTRIES**  
1424 SCALE STREET SW, CANTON, OH 44706  
TEL.: 330-458-3058 / 888-877-3058  
FAX: 330-458-3066 WWW.RIDETHEAIR.COM

**To:** Ben Killian  
Cargo Mate Div. of Forest River

**From:** Chip Ritchie

**Pages:** (1) PLUS COVER PAGE

**Fax:** 574-266-7532

**Phone:** 574-266-7524

**Date:** 11/16/11

**Re:** Mounting plates

**CC:**

Ben,

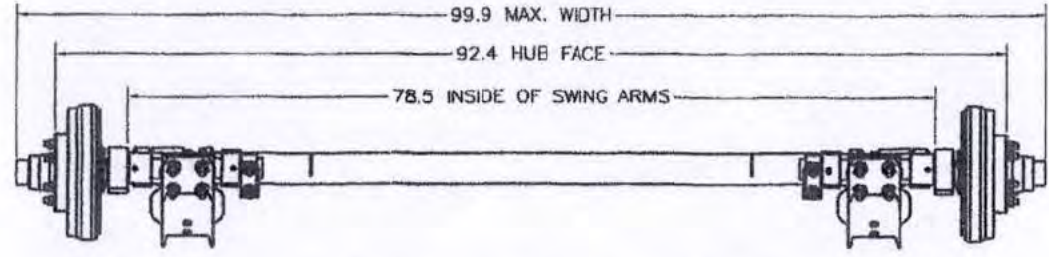
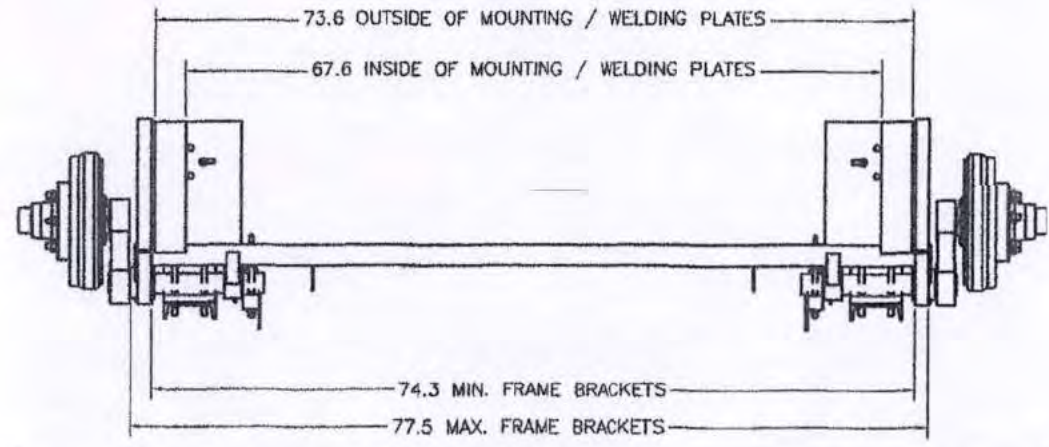
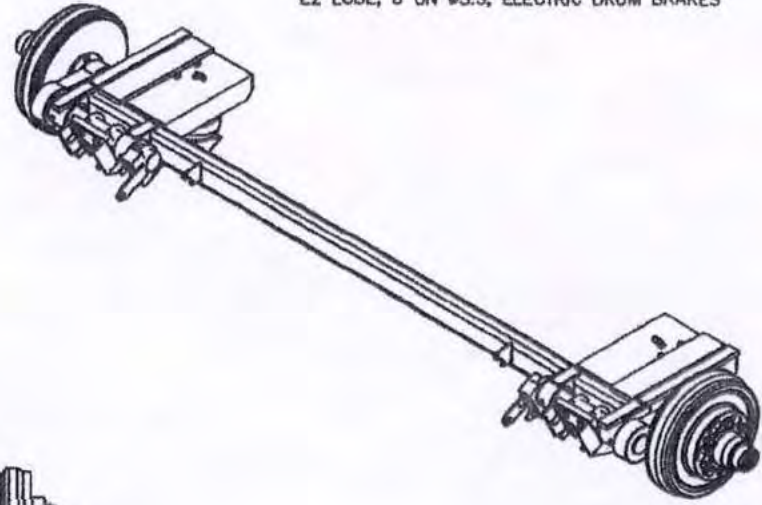
I swapped out the two smaller mounting "pads" for a continuous plate on each side of the suspension. The plate is 3" wide, and ends up just a hair wider than the original mounting pads.

Let me know if this is what you wanted.

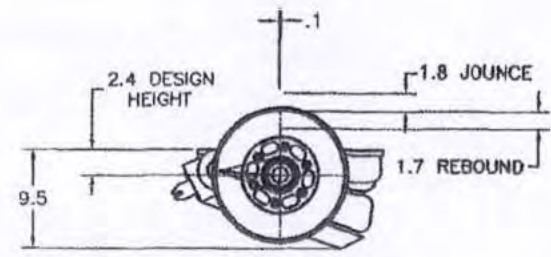
Thanks,

Chip

LBS05.2-006  
EZ LUBE, 6 ON #5.5, ELECTRIC DRUM BRAKES

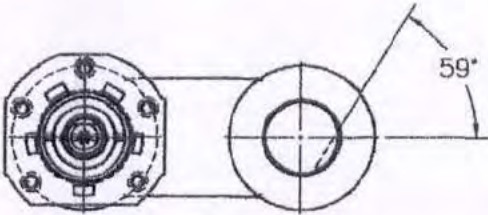
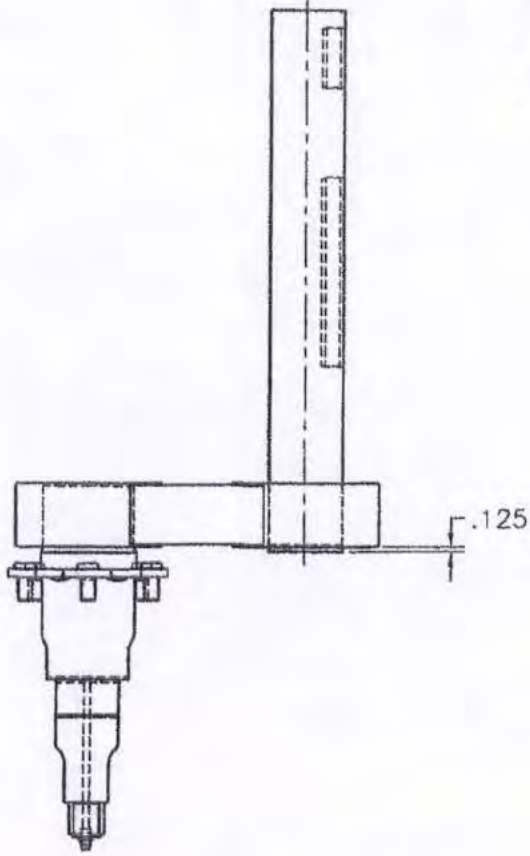


PACK BEARINGS AND HUBS WITH GREASE

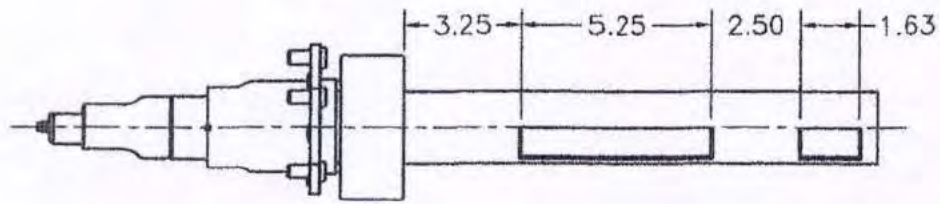
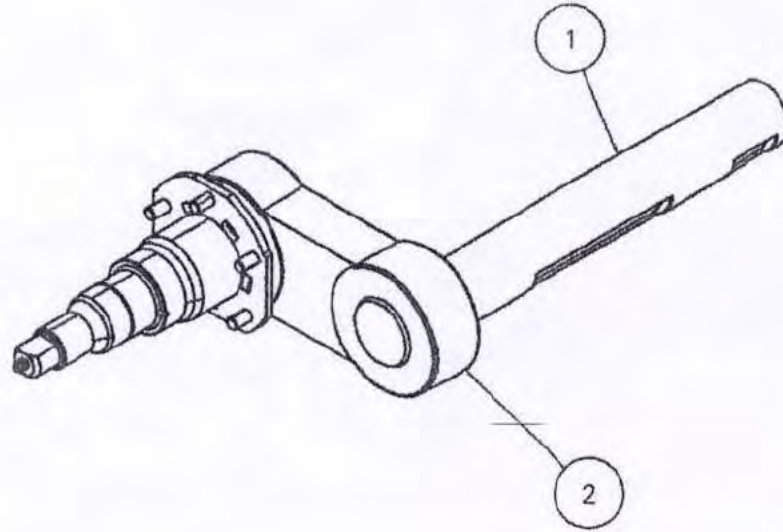


FORWARD

SUSPENSION TECHNOLOGY INDUSTRIES 1424 SCALE STREET S.W. CANTON, OHIO 44706 PHONE (888) 877-3668 FAX (330) 471-8800		TITLE 5.200# AIR RIDE SUSPENSION EZ LUBE, 6 ON #5.5, ELECTRIC DRUM BRAKES	
UNLESS OTHERWISE SPECIFIED ALL DIMENSIONS ARE IN INCHES STANDARD TOLERANCES .XX = .05 FRACTION = 1/16 .XX = .01 ANGLE = 1° .XXX = .03		NTS RELEASE DATE 00000000	DATE 11/15/2011
THIS DRAWING IS THE PROPERTY OF SUSPENSION TECHNOLOGY, INC. AND IS LOANED UPON CONDITION THAT IT IS NOT TO BE REPRODUCED OR COPIED, IN WHOLE OR IN PART, OR USED FOR FURNISHING INFORMATION TO ANY PERSON WITHOUT THE WRITTEN CONSENT OF SUSPENSION TECHNOLOGY, INC. AND ALL COPIES ARE TO BE RETURNED IMMEDIATELY UPON REQUEST.		INVENTOR Chip Ritchie CREATED BY	USE B
REV. DESCRIPTION BY DATE		DRAWING NUMBER LBS05.2-006	



Parts List							
ITEM	QTY	PART NO	NAME	MATERIAL	LENGTH	DESCRIPTION	WEIGHT
1	1	502009	2" C.R. ROUND	C.R. 1018 STEEL	15.000	TORQUE ROD	12.977
2	1	502014	SWING ARM	MILD_STEEL		TRP #TA-60DQM	13.050
3	1	502015	SPINDLE			SAME AS 500728	10.350
							36.377



A	ROTATED TORQUE ROD 14" FOR A 2" TORQUE ROD	chip	12-10-08
REV	DESCRIPTION	BY	DATE

**SUSPENSION TECHNOLOGY INDUSTRIES**  
1424 SCALE STREET S.W. CANTON, OHIO 44705  
PHONE (888) 877-3268 FAX (330) 471-2838

THIS DRAWING IS THE PROPERTY OF SUSPENSION TECHNOLOGY, INC. AND IS LOANED TO YOU FOR YOUR INFORMATION ONLY. IT IS NOT TO BE REPRODUCED OR COPIED, IN WHOLE OR IN PART, OR FOR ANY PURPOSES WITHOUT THE WRITTEN CONSENT OF SUSPENSION TECHNOLOGY, INC. AND ALL COPIES ARE TO BE RETURNED TO SUSPENSION TECHNOLOGY INDUSTRIES.

**ST**

**SUSPENSION TECHNOLOGY INDUSTRIES**

**CURB SIDE TORQUE ROD ASSEMBLY**

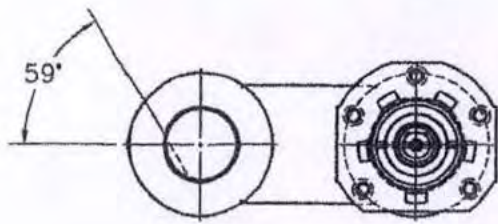
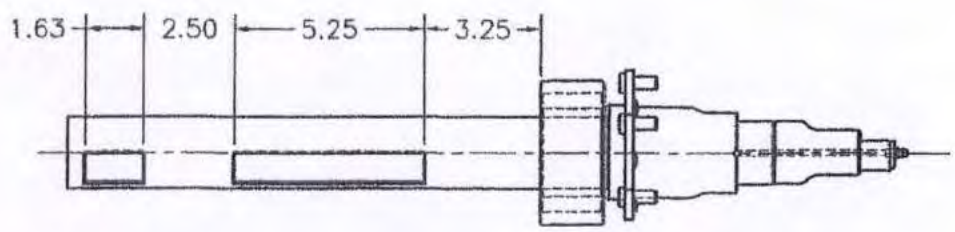
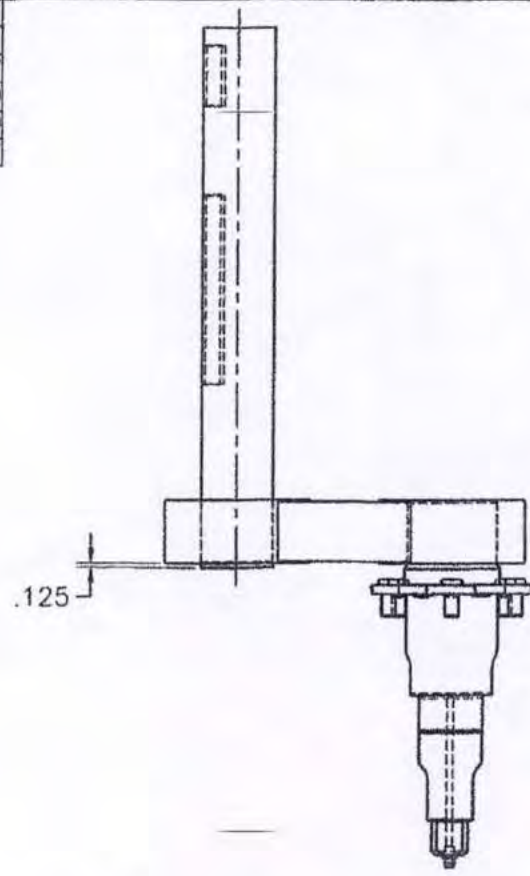
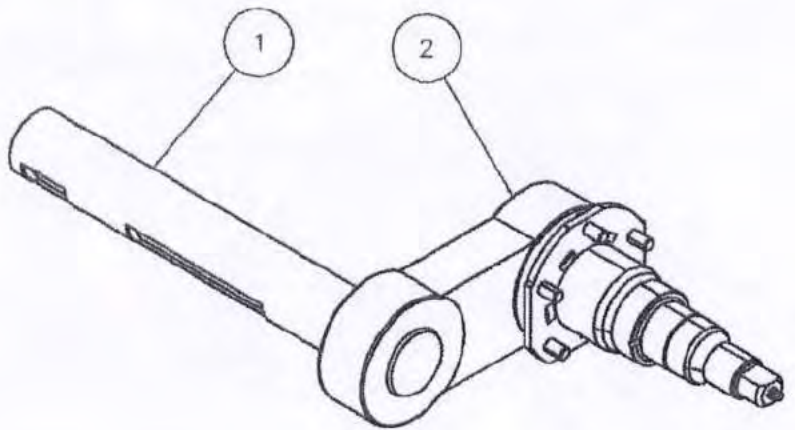
SCALE: NTS  
RELEASE DATE: 06/00/00  
DATE: 12/02/08  
CHECKED BY: Chip Richins  
DATE: 12/02/08

IN ALL DIMENSIONS UNLESS OTHERWISE SPECIFIED, ALL DIMENSIONS ARE IN INCHES  
UNLESS OTHERWISE SPECIFIED, ALL DIMENSIONS ARE IN INCHES  
UNLESS OTHERWISE SPECIFIED, ALL DIMENSIONS ARE IN INCHES  
UNLESS OTHERWISE SPECIFIED, ALL DIMENSIONS ARE IN INCHES

TITLE: CURB SIDE TORQUE ROD ASSEMBLY  
SCALE: NTS  
DATE: 12/02/08  
CHECKED BY: Chip Richins  
DATE: 12/02/08

REV: A

Parts List							
ITEM	QTY	PART NO	NAME	MATERIAL	LENGTH	DESCRIPTION	WEIGHT
1	1	502009	2" C.R. ROUND	C.R. 1018 STEEL	15.000	TORQUE ROD	12.977
2	1	502014	SWING ARM	MILD_STEEL		TRP #TA-60DQM	13.050
3	1	502015	SPINDLE			SAME AS 500728	10.350
							36.377



REV	DESCRIPTION	BY	DATE
A	NOTATED TORQUE ROD & SPINDLE 1/4" FOR A 0" TUCK HEIGHT	chip	12-10-08

**SUSPENSION TECHNOLOGY INDUSTRIES**  
 1424 SCALE STREET S.W. CANTON, OHIO 44706  
 PHONE (330) 877-3059 FAX (330) 877-8808

**DRIVER SIDE TORQUE ROD ASSEMBLY**

UNLESS OTHERWISE SPECIFIED, ALL DIMENSIONS ARE IN INCHES.  
 STANDARD TOLERANCES: FRACTIONS: .005" DECIMALS: .015"  
 SURF FIN: CHIP FINISH  
 CHECKED BY: [Signature]  
 DATE: 12/02/08  
 RELEASE DATE: 02/02/09

SCALE: NTS  
 DATE: 12/02/08

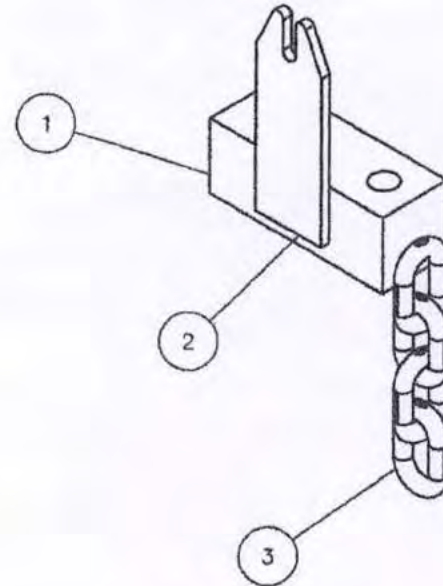
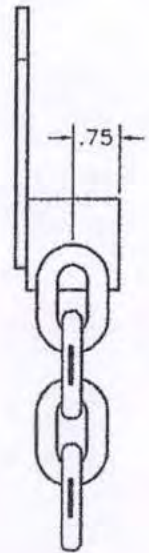
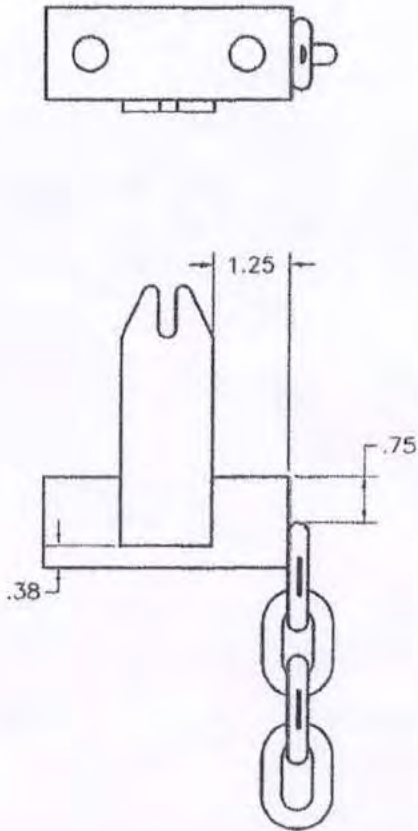
THIS DRAWING IS THE PROPERTY OF SUSPENSION TECHNOLOGY, INC. AND IS LOANED TO YOU FOR YOUR USE ONLY. IT IS NOT TO BE REPRODUCED, COPIED, OR USED FOR ANY OTHER PURPOSE WITHOUT THE WRITTEN CONSENT OF SUSPENSION TECHNOLOGY, INC. AND ALL COPIES ARE TO BE RETURNED TO THE MANUFACTURER.

DATE: 12/02/08  
 RELEASE DATE: 02/02/09

SIZE: B  
 REF: 502017

Parts List

ITEM	QTY	PART NO	NAME	MATERIAL	LENGTH	DESCRIPTION	WEIGHT
1	1	502011	FLAT BAR STEEL - AISC - 1 1/2 X 1 1/2 - 4"	MILD STEEL	4"	CHAIN CRANK FLAT	2.344
2	1	502048	FLAT BAR STEEL - AISC - 1 1/2 X 3/16 - 4 1/4"	MILD STEEL	4 1/4"	HT. CONTROL VALVE FORK	0.307
3	4	502040	5/16" CHAIN	MILD STEEL		CHAIN CRANK RETRAINT CHAIN	0.372
							3.023



502066-D: DRIVER SIDE AS SHOWN  
 502066-C: CURB SIDE, OPPOSITE HAND

A	GEN. HT. VALVE FORK	KYLE	5/12/11
REV	DESCRIPTION	BY	DATE

**CHAIN CRANK RESTRAINT CHAIN ASSEMBLY**

SCALE	NTS	REVISIONS	DATE	DRAWN BY	CHECKED BY
UNLESS OTHERWISE SPECIFIED, ALL DIMENSIONS ARE IN INCHES		STANDARD TOLERANCES			
		XX = .125	FRAC = .015		
		XXX = .005	ANGLE = 1/2°		
		XXXX = .001	ANGLE = 1/16°		

SUSPENSION TECHNOLOGY INDUSTRIES  
 1424 SCALE STREET S.W. CANTON, OHIO 44706  
 PHONE (888) 877-8888 FAX (330) 471-1808

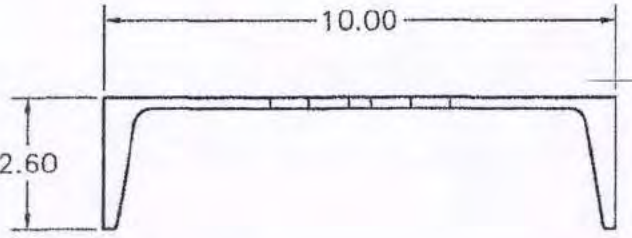
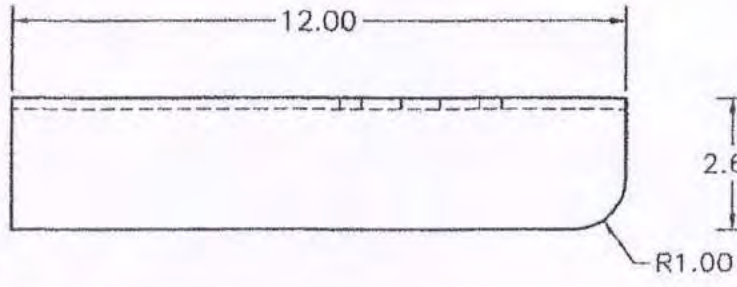
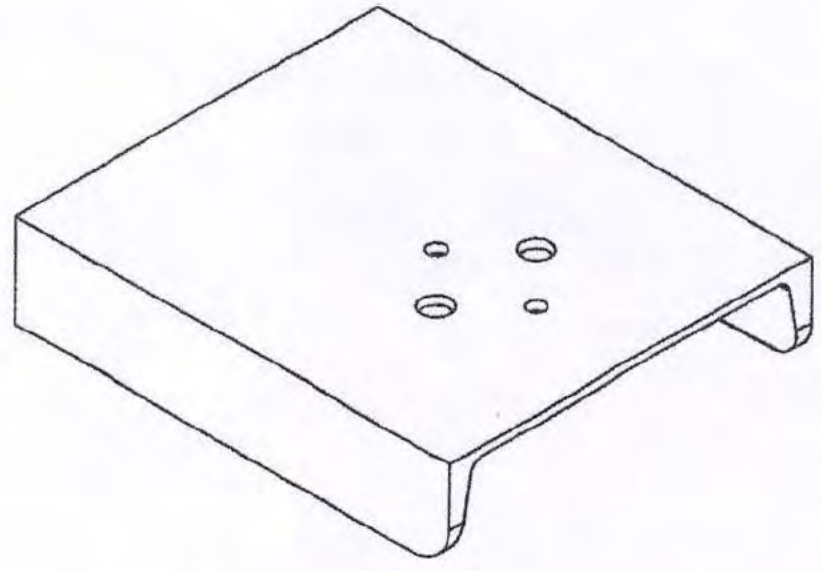
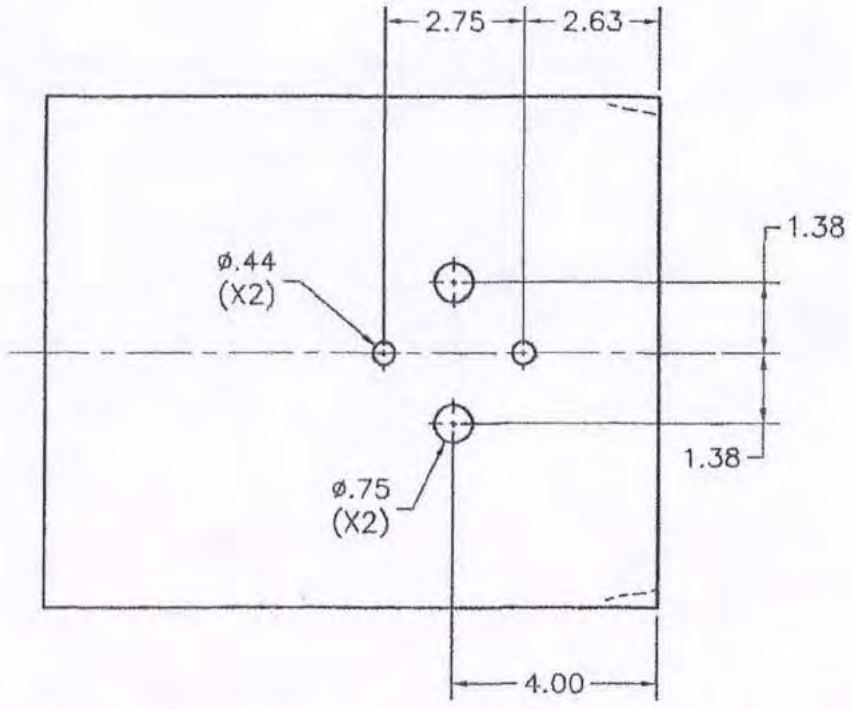
THIS DRAWING IS THE PROPERTY OF SUSPENSION TECHNOLOGY, INC. AND IS LOANED UPON CONDITION THAT IT IS NOT TO BE REPRODUCED OR COPIED, IN WHOLE OR IN PART, OR USED FOR FURNISHING INFORMATION TO ANY PERSON WITHOUT THE WRITTEN CONSENT OF SUSPENSION TECHNOLOGY, INC. AND ALL COPIES ARE TO BE RETURNED TO THE ORIGINAL SOURCE.

TITLE: CHAIN CRANK RESTRAINT CHAIN ASSEMBLY  
 SCALE: NTS  
 REVISIONS: 00000000  
 DATE: 02/17/2011  
 DRAWN BY: Kyle  
 CHECKED BY: Kyle  
 PART NO: 502066-D  
 REV: A



Parts List

ITEM	QTY	PART NO	NAME	MATERIAL	LENGTH	DESCRIPTION	WEIGHT
1	1	502006	U-SHAPE - AISC - C 10 X 15.3 - 1'-0"	MILD_STEEL	1'-0"	AIR SPRING CHANNEL MOUNT	15.190
							15.190



AIR SPRING CHANNEL MOUNT

TITLE

SCALE

DESIGNED BY

CHECKED BY

DATE

DATE

NTS

DATE

DATE

DATE

DATE

19/03/08

19/03/08

19/03/08

19/03/08

19/03/08

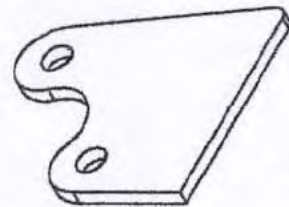
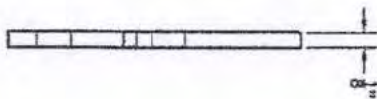
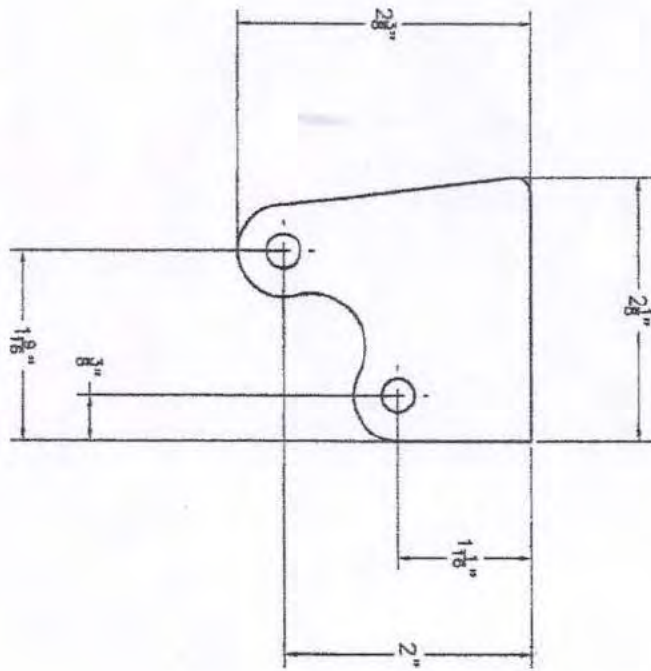
19/03/08

SUSPENSION TECHNOLOGY INDUSTRIES  
 1424 SCALE STREET S.W. CANTON, OHIO 44709  
 PHONE (688) 877-3658 FAX (688) 877-3659




THIS DRAWING IS THE PROPERTY OF SUSPENSION TECHNOLOGY, INC. AND IS LOANED TO YOU ON THE CONDITION THAT IT IS NOT TO BE REPRODUCED, COPIED, IN WHOLE OR IN PART, OR USED FOR FURNISHING INFORMATION TO ANY PERSON WITHOUT THE WRITTEN CONSENT OF SUSPENSION TECHNOLOGY, INC. AND ALL COPIES ARE TO BE RETURNED TO THE ORIGINAL SOURCE.

REV	DESCRIPTION	BY	DATE



REV	DESCRIPTION	BY	DATE

 <p><b>SUSPENSION TECHNOLOGY INDUSTRIES</b> 1424 SCALE STREET S.W. CANTON, OHIO 44706 PHONE (888) 677-3256 FAX (330) 471-8808</p>	MATERIAL	SCALE	FILE
	UNLESS OTHERWISE SPECIFIED, ALL DIMENSIONS ARE IN INCHES	HEIGHT	NTS
STANDARD TOLERANCES: FRACTIONS - DECIMALS = .005" DIMENSIONS - FRACTIONS = .015" DIMENSIONS - DECIMALS = .015" HOLE SIZES OR FITS - COMMERCIAL DIMENSIONS = .005"	DRAWN BY Chip Ritchie	DATE 07/14/10	THIRD ANGLE PROJECTION
THIS DRAWING IS THE PROPERTY OF SUSPENSION TECHNOLOGY, INC. AND IS LOANED UPON CONDITION THAT IT IS NOT TO BE REPRODUCED, COPIED, IN WHOLE OR IN PART, OR USED FOR FURNISHING INFORMATION TO ANY PERSON WITHOUT THE WRITTEN CONSENT OF SUSPENSION TECHNOLOGY, INC. AND ALL COPIES ARE TO BE RETURNED.	CHECKED BY	DATE	SIZE <b>B</b>
			DRAWING NUMBER 500017

Parts List

ITEM	QTY	PART NO	NAME	MATERIAL	LENGTH	DESCRIPTION	WEIGHT
1	1	502067-3	TUBE - AISC - 3 X 2 X 5/16"	MILD_STEEL	76.750	AXLE TUBE	56.085
							56.085



TITLE  
**AXLE TUBE**  
 for 2K - 5.2K SUSPENSION  
 DRAWING NUMBER  
**B**  
 10000007 0

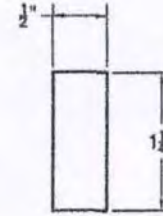
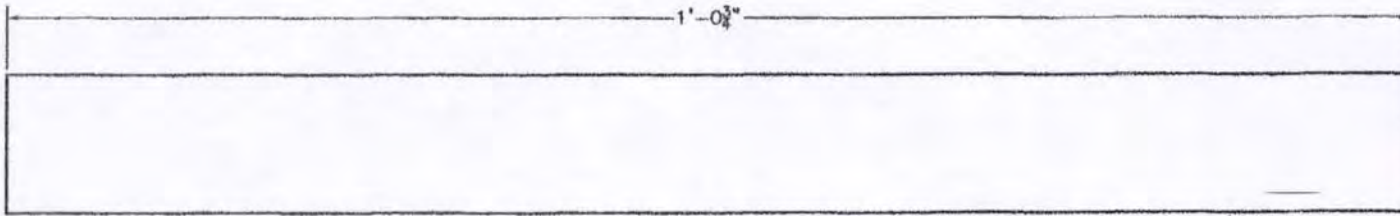
SCALE  
 NTS  
 RELEASE DATE  
 DD/00/00  
 DATE  
 11/15/2011  
 DATE

SUSPENSION TECHNOLOGY INDUSTRIES  
 1424 SCALE STREET S.W. CANTON, OHIO 44706  
 PHONE (330) 877-9258 FAX (330) 877-2828  
 THIS DRAWING IS THE PROPERTY OF SUSPENSION TECHNOLOGY, INC. AND IS LOANED  
 UPON COMPLETION OF THE PROJECT. IT IS NOT TO BE REPRODUCED OR COPIED IN ANY  
 PART OR USED FOR FURNISHING INFORMATION TO ANY PERSON WITHOUT THE WRITTEN  
 CONSENT OF SUSPENSION TECHNOLOGY, INC. AND ALL COPIES ARE TO BE RETURNED

UNLESS OTHERWISE SPECIFIED  
 ALL DIMENSIONS ARE IN INCHES  
 DIMENSIONS TO CENTERS UNLESS NOTED  
 UNLESS OTHERWISE SPECIFIED  
 FINISHES ARE TO BE AS SHOWN  
 ALL DIMENSIONS ARE TO FACE UNLESS NOTED  
 ALL DIMENSIONS ARE TO FACE UNLESS NOTED

REV	DESCRIPTION	BY	DATE

Parts List							
ITEM	QTY	PART NO	NAME	MATERIAL	LENGTH	DESCRIPTION	WEIGHT
1	1	502004	FLAT BAR STEEL - AISC - 1 1/4 X 1/2 - 11"	MILD_STEEL	12.750	REAR TOP CONNECTOR PLATE	2.263
							2.263



B	CHANGE FROM 100 TO 120	chip	7-31-09
A	CHANGE FROM 100 TO 120	chip	3-6-09
REV	DESCRIPTION	BY	DATE

**REAR TOP CONNECTOR PLATE**  
for TORQUE ROD HOUSING

SCALE: NTS  
DATE: 00/00/00  
DATE: 12/07/08

UNLESS OTHERWISE SPECIFIED  
ALL DIMENSIONS ARE IN INCHES

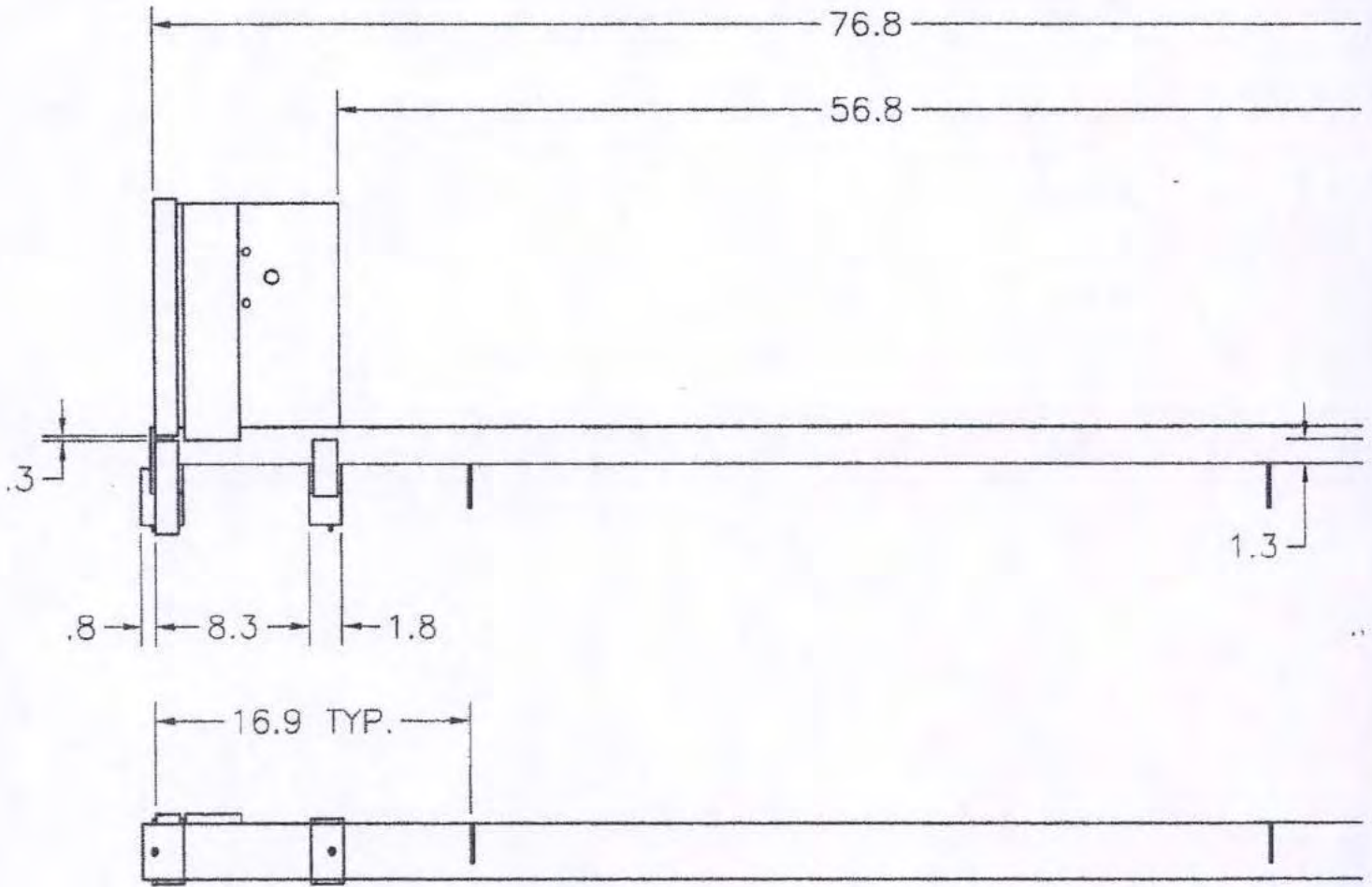
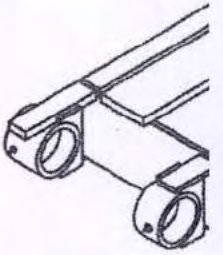
STANDARD TOLERANCES  
FRACTIONS DECIMALS ANGLES  
1/16" 0.0625" 0.0005" 30'

DATE: 12/07/08  
DRAWN BY: Chip Ripplie  
CHECKED BY: [Signature]

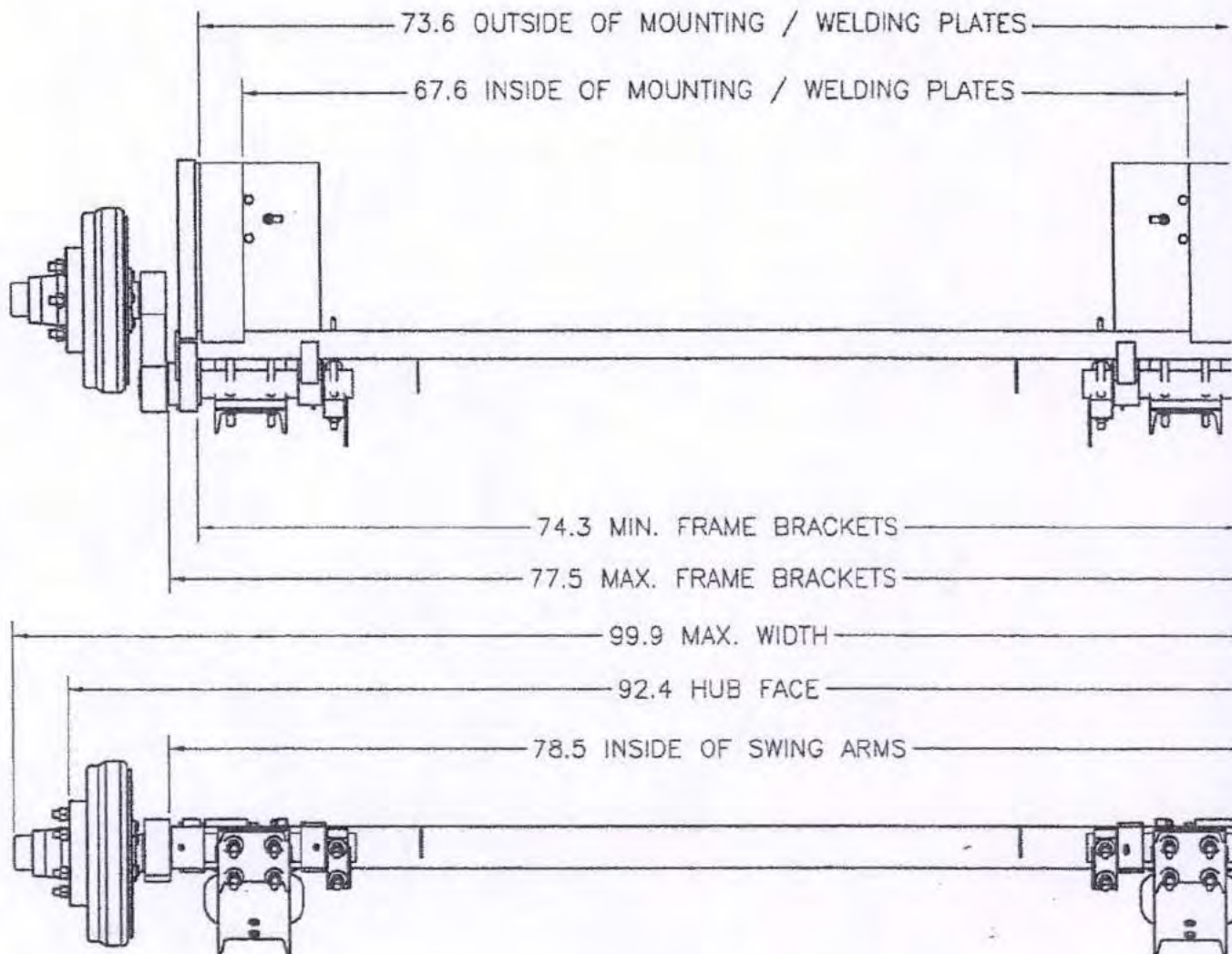
SUSPENSION TECHNOLOGY INDUSTRIES  
1424 S-CALE STREET S.W. CANTON, OHIO 44709  
PHONE (330) 477-5209 FAX (330) 471-8809

THIS DRAWING IS THE PROPERTY OF SUSPENSION TECHNOLOGY, INC. AND IS LOANED  
TO YOU FOR THE PURPOSE OF MANUFACTURING THE PART. IT IS NOT TO BE REPRODUCED OR  
PART OR USED FOR MANUFACTURING INFORMATION TO ANY OTHER PARTY WITHOUT THE  
CONSENT OF SUSPENSION TECHNOLOGY, INC. AND ALL COPIES ARE TO BE RETURNED

REV B

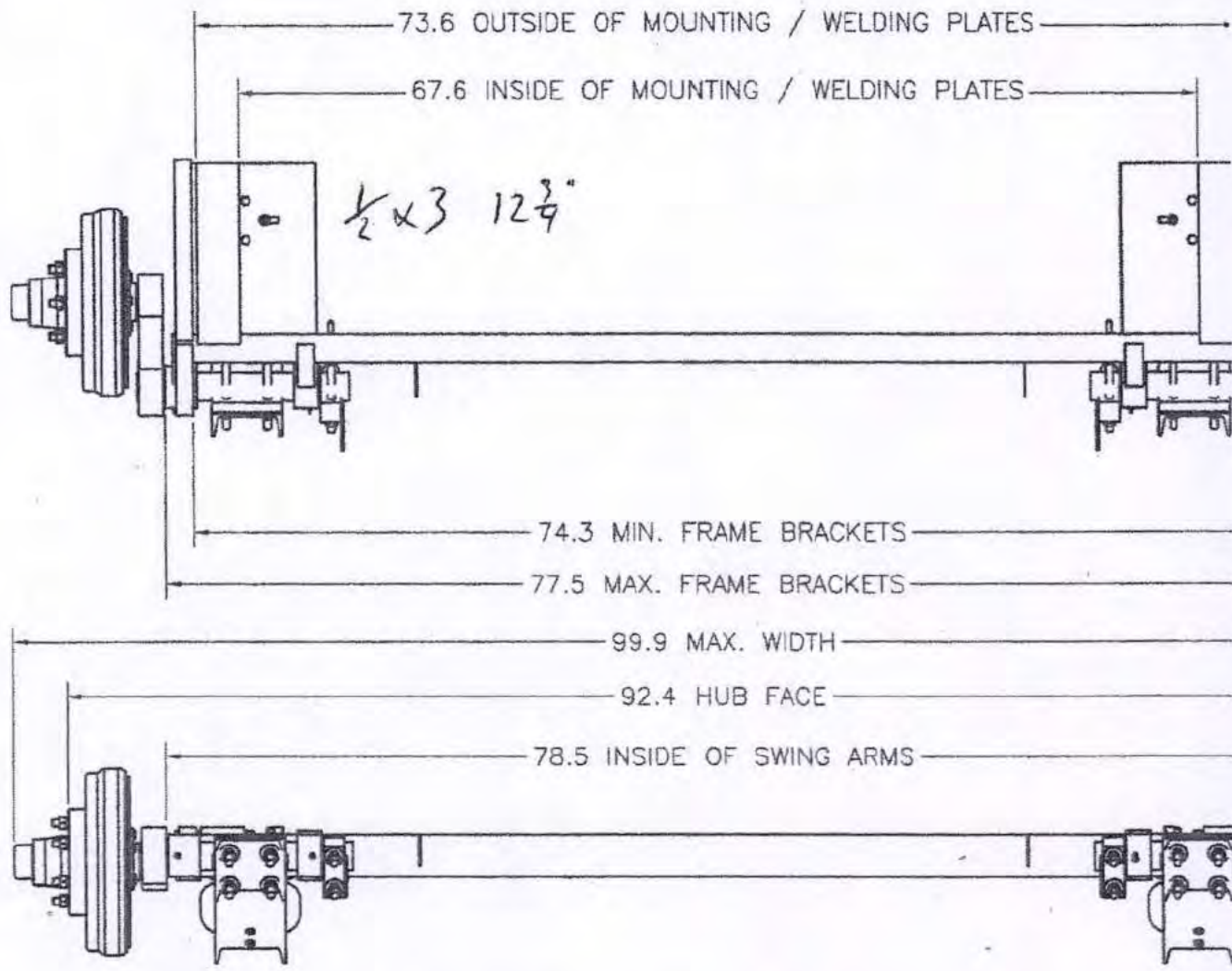


ITEM	QTY	PART NO	NAME	Parte List MATERIAL	LENGTH	DESCRIPTION	WEIGHT
1	1	502067-3	TUBE - AISC - 3 X 2 X 5/16"	MILD STEEL	76.750	AXLE TUBE	56.085
2	2	502006	U-SHAPE - AISC - C 10 X 15.3 - 1'-0"	MILD STEEL	1'-0"	AIR SPRING CHANNEL MOUNT	30.381
3	2	502004	FLAT BAR STEEL - AISC - 1 1/4 X 1/2 - 11"	MILD STEEL	12.750	REAR TOP CONNECTOR PLATE	4.526
6	2	502013	502013				15.931
7	2	502019	502019				4.374
8	2	502022	502022				7.490
9	1	502024	502024-18C				220.866
10	1	502024	502024-18D				220.876
11	4	502018	THRUST WASHER	100% VIRGIN NATURAL UHMW POLYETHYLENE			0.192
16	8		HEX BOLT - UNC (REGULAR THREAD - INCH) - ANSI/ASME B18.2.1 - 3/8 - 16 - 3/4	MILD STEEL		HEX BOLT - UNC (REGULAR THREAD - INCH)	0.342
17	12		WASHER A - ANSI B18.22.1 - 1/2 - WIDE TYPE A	MILD STEEL		WASHER A	0.459
18	12		HEX NUT - ANSI B18.2.2 - 1/2 - 13	MILD STEEL		HEX NUT	0.516
20	1	502064-C	SEE DRAWING 502064-C				3.514
21	1	502064-D	SEE DRAWING 502064-D				3.514
22	1	502065-C	SEE DRAWING 502065-C				2.026
23	1	502065-D	SEE DRAWING 502065-D				2.026
24	1	502066-C	SEE DRAWING 502066-C				3.023
25	1	502066-D	SEE DRAWING 502066-D				3.023
26	1	501954-C	SEE DRAWING 501954-C				183.360
27	1	501954-D	SEE DRAWING 501954-D				183.360
37	2	502095					10.882
							556.745



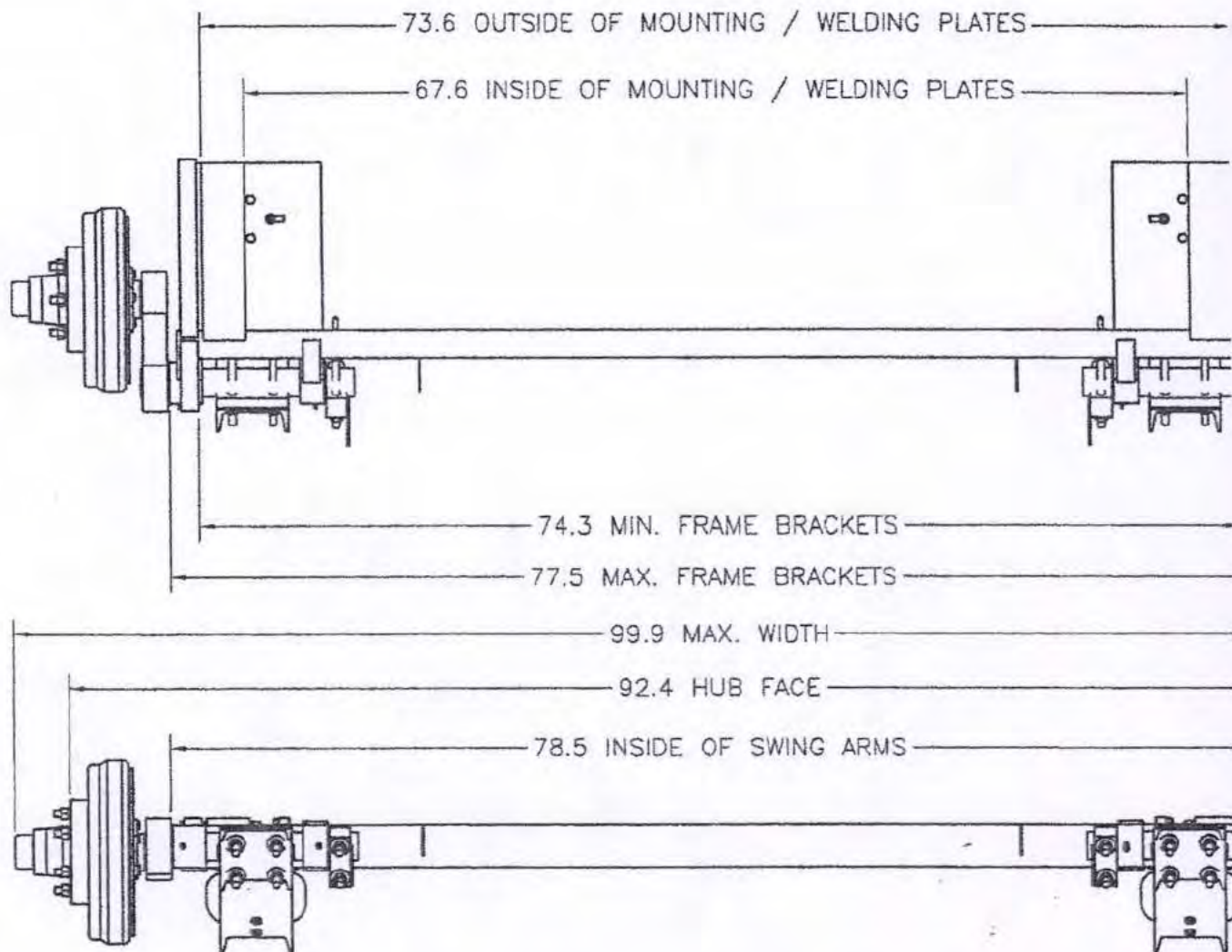
PACK BEARINGS AND HUBS WITH GREASE

ITEM QTY	PART NO	NAME	Parts List		LENGTH	DESCRIPTION	WEIGHT
			MATERIAL				
1	1	502067-3	TUBE - AISC - 3 X 2 X 5/16"	MILD STEEL	78.750	AXLE TUBE	56.089
2	2	502006	U-SHAPE - AISC - C 10 X 15.3 - 1'-0"	MILD STEEL		1'-0" AIR SPRING CHANNEL MOUNT	30.381
3	2	502004	FLAT BAR STEEL - AISC - 1 1/4 X 1/2 - 11"	MILD STEEL	12.750	REAR TOP CONNECTOR PLATE	4.528
8	2	502013	502013				15.931
7	2	502019	502019				4.374
8	2	502022	502022				7.490
9	1	502024	502024-18C				220.886
10	1	502024	502024-18D				220.876
11	4	502018	THRUST WASHER	100% VIRGIN NATURAL UHMW POLYETHYLENE			0.192
16	8		HEX BOLT - UNC (REGULAR THREAD - INCH) - ANSI/ASME B18.2.1 - 5/8 - 16 - 3/4	MILD STEEL		HEX BOLT - UNC (REGULAR THREAD - INCH)	0.342
17	12		WASHER A - ANSI B18.22.1 - 1/2 - WIDE TYPE A	MILD STEEL		WASHER A	0.458
18	12		HEX NUT - ANSI B18.2.2 - 1/2 - 13	MILD STEEL		HEX NUT	0.518
20	1	502064-C	SEE DRAWING 502064-C				3.514
21	1	502064-D	SEE DRAWING 502064-D				3.514
22	1	502065-C	SEE DRAWING 502065-C				2.026
23	1	502065-D	SEE DRAWING 502065-D				2.026
24	1	502066-C	SEE DRAWING 502066-C				3.023
25	1	502066-D	SEE DRAWING 502066-D				3.023
26	1	501954-C	SEE DRAWING 501954-C				183.360
27	1	501954-D	SEE DRAWING 501954-D				183.360
37	2	502095					10.862
							956.745



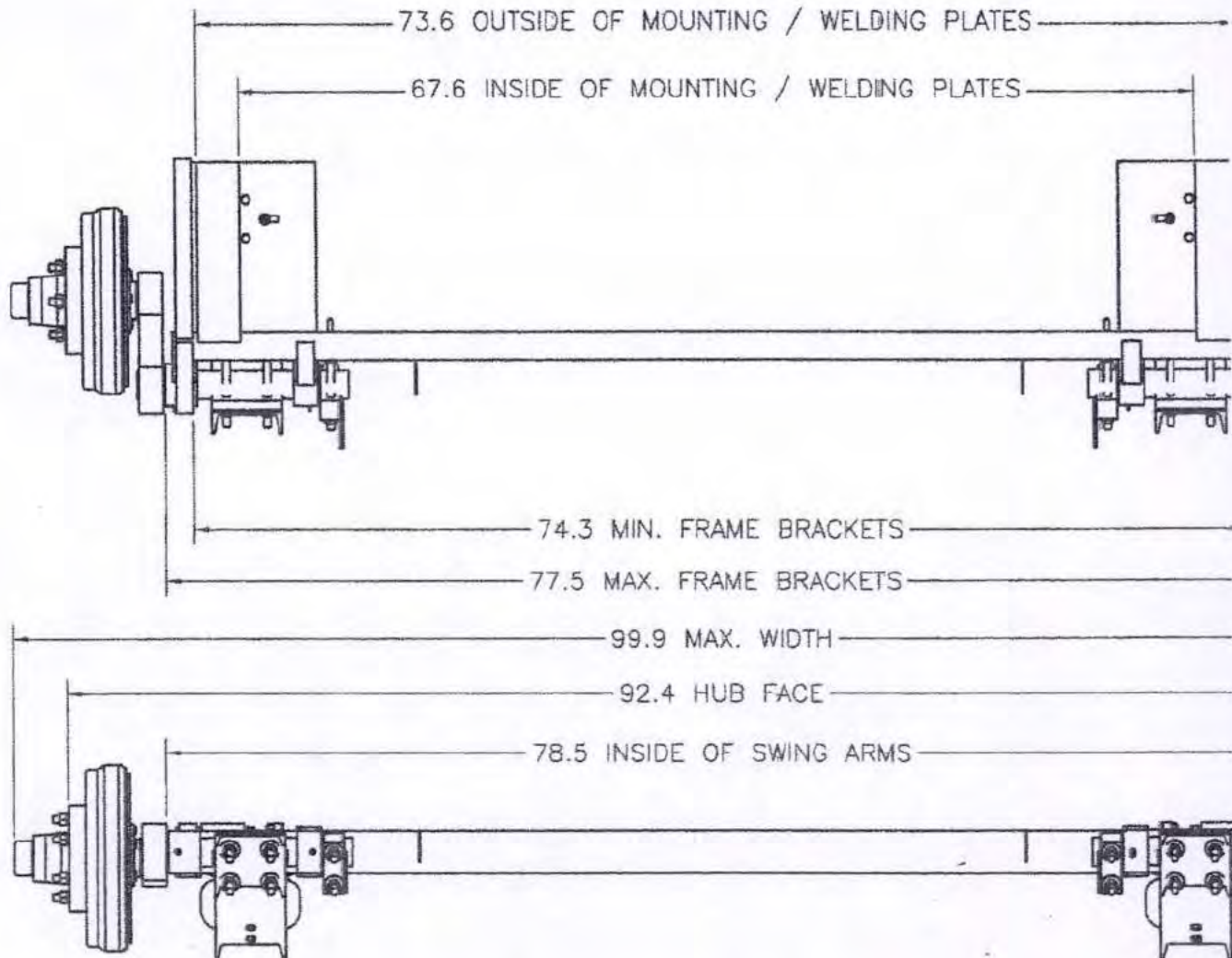
PACK BEARINGS AND HUBS WITH GREASE

ITEM	QTY	PART NO	NAME	Parts List MATERIAL	LENGTH	DESCRIPTION	WEIGHT
1	1	502067-3	TUBE -- AISC -- 3 X 2 X 5/16"	MILD STEEL	76.750	AXLE TUBE	56.085
2	2	502006	U-SHAPE -- AISC -- C 10 X 15.3 -- 1'-0"	MILD STEEL	1'-0"	AIR SPRING CHANNEL MOUNT	30.381
3	2	502004	FLAT BAR STEEL -- AISC -- 1 1/4 X 1/2 -- 11"	MILD STEEL	12.750	REAR TOP CONNECTOR PLATE	4.528
6	2	502013	502013				15.931
7	2	502019	502019				4.374
8	2	502022	502022				7.490
9	1	502024	502024-18C				220.858
10	1	502024	502024-18D				220.876
11	4	502018	THRUST WASHER	100% VIRGIN NATURAL UHMW POLYETHYLENE			0.192
16	8		HEX BOLT -- UNC (REGULAR THREAD -- INCH) -- ANSI/ASME B18.2.1 -- 3/8 -- 16 -- 3/4	MILD STEEL		HEX BOLT -- UNC (REGULAR THREAD -- INCH)	0.342
17	12		WASHER A -- ANSI B18.22.1 -- 1/2 -- WIDE TYPE A	MILD STEEL		WASHER A	0.459
18	12		HEX NUT -- ANSI B18.2.2 -- 1/2 -- 13	MILD STEEL		HEX NUT	0.516
20	1	502064-C	SEE DRAWING 502064-C				3.514
21	1	502064-D	SEE DRAWING 502064-D				3.514
22	1	502065-C	SEE DRAWING 502065-C				2.026
23	1	502065-D	SEE DRAWING 502065-D				2.026
24	1	502066-C	SEE DRAWING 502066-C				3.023
25	1	502066-D	SEE DRAWING 502066-D				3.023
26	1	501954-C	SEE DRAWING 501954-C				183.360
27	1	501954-D	SEE DRAWING 501954-D				183.360
37	2	502095					10.882
							956.745



PACK BEARINGS AND HUBS WITH GREASE

ITEM QTY	PART NO	NAME	Parts List		LENGTH	DESCRIPTION	WEIGHT
			MATERIAL				
1	1	502067-3	TUBE -- AISC -- 3 X 2 X 5/16"	MILD STEEL	76.750	AXLE TUBE	56.085
2	2	502006	U-SHAPE -- AISC -- C 10 X 15.3 -- 1'-0"	MILD STEEL		1'-0" AIR SPRING CHANNEL MOUNT	30.381
3	2	502004	FLAT BAR STEEL -- AISC -- 1 1/4 X 1/2 -- 11"	MILD STEEL		12.750 REAR TOP CONNECTOR PLATE	4.526
6	2	502013	502013				15.931
7	2	502019	502019				4.374
8	2	502022	502022				7.490
9	1	502024	502024-18C				220.856
10	1	502024	502024-18D				220.868
11	4	502016	THRUST WASHER	HOOS VIRGIN NATURAL UHMW POLYETHYLENE			0.192
16	8		HEX BOLT -- UNC (REGULAR THREAD -- INCH) -- ANSI/ASME B18.2.1 -- 3/8 -- 16 -- 3/4"	MILD STEEL		HEX BOLT -- UNC (REGULAR THREAD -- INCH)	0.342
17	12		WASHER A -- ANSI B18.22.1 -- 1/2 -- WIDE TYPE A	MILD STEEL		WASHER A	0.458
18	12		HEX NUT -- ANSI B18.2.2 -- 1/2 -- 13	MILD STEEL		HEX NUT	0.518
20	1	502064-C	SEE DRAWING 502064-C				3.514
21	1	502064-D	SEE DRAWING 502064-D				3.514
22	1	502065-C	SEE DRAWING 502065-C				2.026
23	1	502065-D	SEE DRAWING 502065-D				2.026
34	1	502066-C	SEE DRAWING 502066-C				3.023
25	1	502066-D	SEE DRAWING 502066-D				3.023
26	1	501954-C	SEE DRAWING 501954-C				183.360
27	1	501954-D	SEE DRAWING 501954-D				183.360
37	2	502095					10.862
							956.729



PACK BEARINGS AND HUBS WITH GREASE

New Milford Ct



1004



20590

U.S. POSTAGE PAID  
PM 2-DAY  
NEW MILFORD, CT  
06776  
APR 23, 19  
AMOUNT  
**\$7.70**  
R2304M113420-12



National Highway  
Traffic Safety Administration  
1200 New Jersey Ave SE  
WASHINGTON, D.C. 20590

ATT: Randy Reid Chief

EXPECTED DELIVERY DAY: 04/25/19  
USPS TRACKING NUMBER  
  
9505 5124 5148 9113 2509 07

W 48-226

Department of Transportation  
To: W48- 226  
Location Code: DOT  
Cost Center: 4 West  
Mail Point: NVS-200,210,300,010  
External Carrier: DELIVERY CONFIRMATION  
Sender:  
Manufacturer:  
Purchase Order:  
DOT  
4/26/2019 12:21:09 PM  
  
9505512451489113250907