

REF 38 2013

INFORMATION ACT (FOIA), 5 U.S.C. 552(B)(6)

FOR AGENCY USE ONLY 100148



U.S. Department of Transportation
National Highway Traffic Safety Administration

DOT Auto Safety Hotline
Vehicle Owner's Questionnaire
To Report Vehicle Safety Defects
1-888-DASH-2-DOT
(1-888-327-4236)
INTERNET: www.nhtsa.dot.gov/hotline

Date Received	Repository <input type="checkbox"/>
22-OCT-2013	Reference No. 10548925

OWNER INFORMATION (Type or Print)

Name: [REDACTED]
Address: [REDACTED]
City: GILROY State: CA Zip Code: [REDACTED]

Daytime Telephone Number: [REDACTED] E-mail Address:
Evening Telephone Number:

The information you provide will be used to identify potential safety-related defects. We may share your information with the applicable vehicle manufacturer during an investigation or recall in accordance with the routine uses described in the agency's Privacy Act notice. See 49 FR 53971 (Sep. 3, 2004).

VEHICLE INFORMATION

17 digit Vehicle Identification Number Located at bottom of windshield on driver's side LN2UT1119DZ [REDACTED]	Make CHANGZHOU NANXIASHI	Model 90154	Model Year 2013
Date Purchased 10/3/13	Dealer's Name and Telephone Number Harbor Freight Tools		Engine: No: Cylinders
Original Owner <input checked="" type="checkbox"/>	Dealer's City Gilroy	State Ca	Zip Code 95020
Transmission Type <input type="checkbox"/> Antilock Brakes <input type="checkbox"/> Cruise Control	Powertrain	Multiple Failure:	Fuel Type: Trailer
			Incident Date(s) 21-OCT-2013

FAILED COMPONENT(S)/PART(S) INFORMATION

Vehicle Component Code: 200000 WHEELS	Failure Mileage	Failure Speed
---------------------------------------	-----------------	---------------

ADDITIONAL ITEMS TO BE COMPLETED WHEN REPORTING A TIRE FAILURE

Tire Make	Tire Model (Name or Number)	Tire Size (Example P215/65R15)
DOT No. (Example: DOTMAL9ABC036)	<input type="checkbox"/> Original Equipment <input type="checkbox"/> Prior Repair	Failure Location:
Tire Component Code	Tire Failure Type:	

ADDITIONAL ITEMS TO BE COMPLETED WHEN REPORTING A CHILD SEAT FAILURE

Make:	Date Manufactured:	Model No./Name:
Seat Type:	Installation System:	
Child Seat Component Code:	Failed Part:	

APPLICABLE INCIDENT INFORMATION

(Please describe in detail the incident(s), Failure(s), Crash(es), and Injury(ies).)

Crash <input type="checkbox"/> Yes <input checked="" type="checkbox"/> No	Fire <input type="checkbox"/> Yes <input checked="" type="checkbox"/> No	Number of Persons Injured 0	Number of Deaths 0	Reported to Police N
------------------------------------------------------------------------------	-----------------------------------------------------------------------------	--------------------------------	-----------------------	-------------------------

Narrative Description of Incident(S), Crash(es), and Injury(ies).
Please describe (1) events leading up to the failure, (2) failure and its consequences, and (3) what was done to correct the failure; i.e. parts repaired or replaced (and if old part is available).

TL* THE CONTACT OWNS A 2013 CHANGZHOU NANXIASHU 90154 TRAILER. THE CONTACT STATED THAT HE PARKED THE VEHICLE AND NOTICED THAT A LUG NUT ON THE DRIVER'S SIDE TIRE WAS MISSING. THE VEHICLE WAS NOT TAKEN TO THE DEALER FOR INSPECTION. THE TRAILER WAS NOT REPAIRED. THE MANUFACTURER WAS NOT NOTIFIED. THE FAILURE MILEAGE WAS UNKNOWN.



10/22/13

Include, if available: Police/Fire Department Report, Photos, and Repair Invoice. ATTACH ADDITIONAL SHEETS IF NECESSARY

The Privacy Act of 1974-Public Law 93-579 This information is requested pursuant to authority vested in the National Highway Traffic Safety Act and subsequent amendments. You are under no obligation to respond this questionnaire. Your response may be used to assist the NHTSA in determining whether a Manufacturer should take appropriate action to correct a safety defect. If the NHTSA proceeds with administrative enforcement or litigation against a manufacturer, your response, or a statistical summary thereof, may be used in support of the agency's action.

Ex. 1

Ex. 1





EX 2

Warning:
Maximum
Speed 55 MPH

11/15/2011

UP
A



EX 2

↑ W



Warning:
Maximum
Highway
Speed = 55 MPH

Ex 4

usp
↑



EX 5

W
↓

INSIDE TRACK CLUB MEMBERS ONLY

Ex. 6

GET EARLY ACCESS BEFORE THE GENERAL PUBLIC

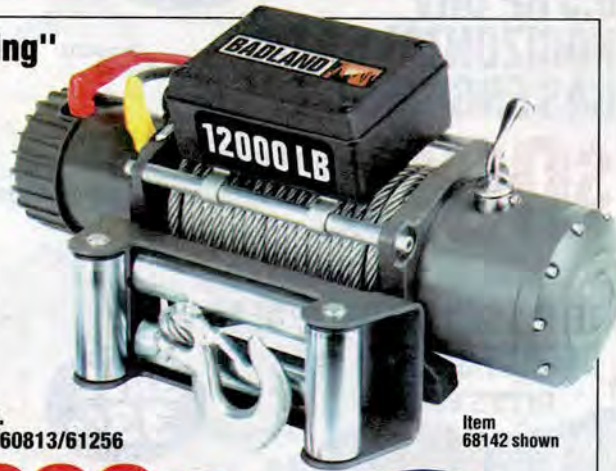
All Day On Thur. October 10, Plus 1 Hour Early (7:00 AM) On Fri., Sat., Sun. October 11-13

Join the Inside Track Club NOW in the Store or at HarborFreight.com

"Voted the Best Deal in Winching"
—Off-Road Magazine



12,000 LB. ELECTRIC WINCH WITH REMOTE CONTROL AND AUTOMATIC BRAKE



- Automatic load-holding brake for maximum safety
- Three stage planetary gear system for fast line speed
- Series wound motors stay cooler during long pulls
- Freespooling for fast line-out

LOT NO. 68142/60813/61256

Item 68142 shown

\$299⁹⁹ REG. PRICE \$499.99

SAVE \$200



800 RATED WATT/ 900 MAX. WATT PORTABLE GENERATOR



LOT NO. 66619/ 69381/60338

Item 60338 shown

\$89⁹⁹ REG. PRICE \$179.99

SAVE \$90



Item 47077 shown

CENTRAL PNEUMATIC

3" HIGH SPEED AIR CUT-OFF TOOL

\$6⁹⁹ REG. PRICE \$19.99

LOT NO. 47077/60243/ 60374/67425/69473

SAVE 65%

DELUXE 12 VOLT TRAILER LIGHT KIT

HaulMaster

DOT CERTIFIED

- Includes mounting hardware and wiring
- Not submersible.



Item 93861 shown

\$14⁹⁹ REG. PRICE \$29.99

LOT NO. 93861/69624

SAVE 50%

OUR BIGGEST SALES EVENT OF THE SEASON! OCTOBER 11th-13th

OVERSIZED LOW-PROFILE CREEPER
PITTSBURGH AUTOMOTIVE

PACIFIC HYDROSTAR
50 FT. ELECTRIC

3 PIECE DECORATIVE SOLAR LED LIGHTS



SAVE 50%

18. Attach the Grease Filling (31) to the Hub (18). Carefully slide a Hub over the spindle at each end of the Axle (16). (See Figure H.)

Ex. 7

19. BEARING PACKING INSTRUCTIONS

WARNING! Whenever a hub is disassembled (if a hub on a new unit requires assembly or a hub is disassembled for maintenance), the following procedure **MUST** be obeyed.

Failure to read and obey all of the following instructions completely will void the warranty and can result in damage to the Trailer, property damage, or serious injury.

- Using a suitable solvent, thoroughly clean the bearings and the rest of the parts in the Hub assembly of all grease, dirt, metal shavings, or any other foreign object. **The parts must be cleaned even if they are new or appear clean.**
- Allow all pieces to dry completely.
- Make sure that your hands are thoroughly clean and the bearing packer (not included) is also thoroughly clean.
- Place fresh, clean bearing grease in the packer.
- With the grease-filled bearing packer in one hand and the bearing in the other, press the bearing into the grease, forcing the grease inside the slots in the bearing. Continue doing this until every slot in the bearing is completely full of grease.
- Finish assembling the hub/wheel assembly, being careful not to get any dirt or debris on any part of the assembly.

20. Place the Outer Bearings (20) onto the spindles of both ends of the Axle. Place a 3/4" Flat Washer (N) onto each spindle of the Axle. Then secure the Hub and Bearing assemblies, using the Castle Nuts (K). (See Figure H.)

22. Press a Dust Cap onto each Hub (18).

23. Place a Tire/Wheel Assembly (19) onto each Hub (18). Secure each Tire/Wheel assembly firmly to the Hubs, using the Lug Nuts (J). Torque the Lug Nuts to **90 ft-lb.**

21. See point 4 of Inspection, Maintenance and Cleaning (page 24). Make sure the Hub rotates freely. If not, back off the Castle Nut very slightly so that the Hub rotates freely.

NOTE: PERIODICALLY, GREASE SEAL (32) ON BACKSIDE OF HUB (18).

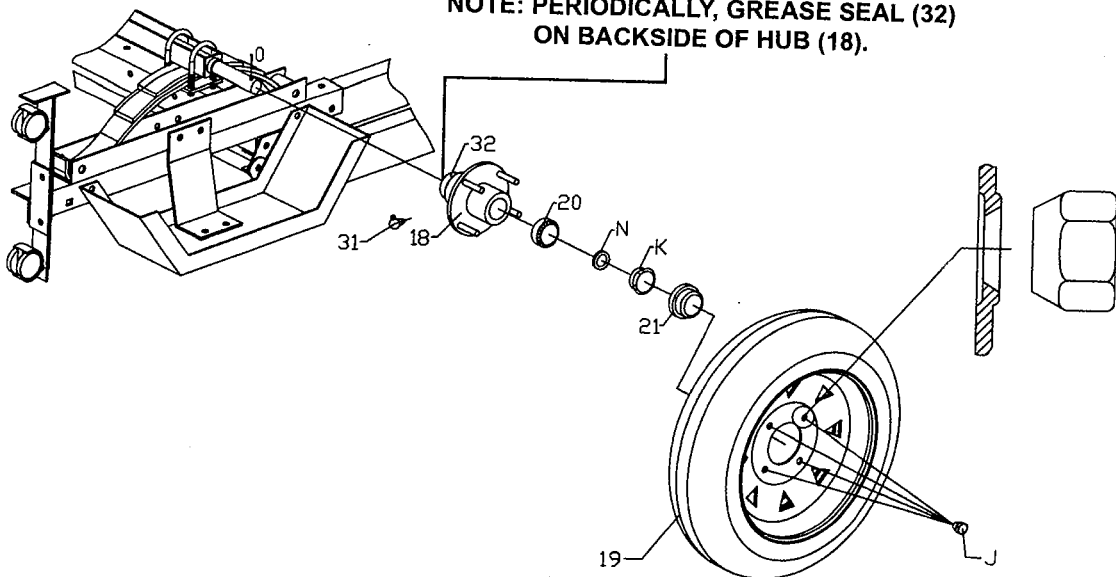


Figure H: Hub/Wheel Assembly

SAFETY

ASSEMBLY

OPERATION

MAINTENANCE

CERTIFICATE OF ORIGIN FOR A VEHICLE

Ex 8

CHANGZHOU NANXIASHU

DATE

02/13

INVOICE NO.

VEHICLE I.D. NO.
LN2UT1119DZ

YEAR
2013

MAKE
CHANGZHOU NANXIASHU

BODY TYPE
TRAILER

SHIPPING WEIGHT
262LBS

H.P. (S.A.E.)

G.V.W.R.
1450LBS

NO. CYLS

SERIES OR MODEL
90154

I, the undersigned authorized representative of the company, firm or corporation named below, hereby certify that the new vehicle described above is the property of the said company, firm or corporation and is transferred on the above date and under the Invoice Number indicated to the following distributor or dealer.

NAME OF DISTRIBUTOR, DEALER, ETC.

It is further certified that this was the first transfer of such new vehicle in ordinary trade and commerce.

CHANGZHOU NANXIASHU

Sold ONLY As An
Unassembled Kit

BY

(SIGNATURE OF AUTHORIZED REPRESENTATIVE)

(AGENT)

Guanghua Rd., Changzhou, China

CITY - STATE

HARBOR FREIGHT TOOLS
Quality Tools at Remarkably Low Prices

GILROY CA #00450
6980 CHESTNUT ST STE 1-2
GILROY, CA 95020
Telephone: (408) 847-1023

SALE

Customer Name: [REDACTED]
Customer Number: 888002308214

154 1195 LB TRAILER 48X96 (ON 399.99

Advertised Savings: -110.00

Adjusted Price: \$289.99

Name: [REDACTED]

Address: [REDACTED]

City: Gilroy

State: CA

Zip Code: [REDACTED]

Phone: [REDACTED]

Invoice No.: LN2UT1119DZ

Manufacture Date: 02/13/13

Lot No. 1: 0817

Lot No. 2: 0817

Lot No. 3: 0817

Lot No. 4: 0817

COUPON DISCOUNT -40.00

New Price 249.99

Coupon Number 1958363859142917850

711 TIRE FEE/TAX TWO TIRE 3.50

0154 1195 LB TRAILER 48X96 (ON

023 1-1/4IN-2IN HITCH ADAPTER 17.99

Advertised Savings: -3.00

Adjusted Price: \$14.99

983 CARGO CARRIER STEEL 500LB 99.99

Advertised Savings: -30.00

Adjusted Price: \$69.99

Ex 9



CLASS MAIL



1000



20590

U.S. POST
PAID
SAN MARTIN
95046
DEC 18
AMOUNT
\$1.
0055

40 Mr. Rand Reid
Mr.

U.S. Department
of Transportation

**National Highway
Traffic Safety
Administration**

1200 New Jersey Avenue, S.E.
Washington, D.C. 20590-0001

NUS200
W48220