 <p>U.S. Department of Transportation National Highway Traffic Safety Administration</p>		<p>DOT Auto Safety Hotline <b>Vehicle Owner's Questionnaire</b> To Report Vehicle Safety Defects 1-888-DASH-2-DOT (1-888-327-4236) INTERNET: www.nhtsa.dot.gov/hotline</p>		<p>FOR AGENCY USE ONLY 100148</p>	
<p><b>OWNER INFORMATION (Type or Print)</b></p>		<p>Date Received 13-FEB-2008</p>		<p>Repository <input type="checkbox"/> Reference No. 10150183</p>	
<p>Name [REDACTED]</p>		<p>Daytime Telephone Number [REDACTED]</p>		<p>E-mail Address [REDACTED]</p>	
<p>Address [REDACTED]</p>		<p>Evening Telephone Number [REDACTED]</p>			
<p>City COAMO State PR Zip Code [REDACTED]</p>		<p>Do you authorize NHTSA to provide a copy of this report to the manufacturer of your vehicle? In the absence of an address to the vehicle manufacturer. <input checked="" type="checkbox"/> YES <input type="checkbox"/> NO Signature of Owner: [REDACTED] Date 3/7/06</p>			
<b>VEHICLE INFORMATION</b>					
<p>17 digit Vehicle Identification Number Located at bottom of windshield on driver's side WBAAWJ341 [REDACTED]</p>		<p>Make BMW</p>	<p>Model 325IT</p>	<p>Model Year 2001</p>	
<p>Date Purchased 75-NOV-01</p>	<p>Dealer's Name and Telephone Number AUTOGERMANIA BMW 7874747001</p>		<p>Engine: No: Cylinders 6</p>	<p>Fuel Type: Gas</p>	
<p>Original Owner <input checked="" type="checkbox"/></p>	<p>Dealer's City SAN JUAN</p>		<p>State PR</p>	<p>Zip Code 00918-5401</p>	
<p>Transmission Type AUTOMATIC</p>	<p><input checked="" type="checkbox"/> Antilock Brakes <input checked="" type="checkbox"/> Cruise Control</p>	<p>Powertrain REAR WHEEL DRIVE</p>	<p>Vehicle Component Code 091100 FUEL SYSTEM, OTHER: STORAGE-TANK ASSEMBLY</p>		
			<p>Multiple Failure: 8</p>		
<b>FAILED COMPONENT(S)/PART(S) INFORMATION</b>					
<p>Incident Date(s) 24-SEP-2004</p>	<p>Failure Mileage 26000</p>	<p>Failure Speed 35</p>			
<b>ADDITIONAL ITEMS TO BE COMPLETED WHEN REPORTING A TIRE FAILURE</b>					
<p>Tire Make</p>		<p>Tire Model (Name or Number)</p>		<p>Tire Size (Example P215/65R15)</p>	
<p>DOT No. (Example: DOTM19ABC036)</p>		<p><input type="checkbox"/> Original Equipment <input type="checkbox"/> Prior Repair</p>	<p>Failure Location:</p>		
<p>Tire Component Code</p>			<p>Tire Failure Type</p>		
<b>ADDITIONAL ITEMS TO BE COMPLETED WHEN REPORTING A CHILD SEAT FAILURE</b>					
<p>Make:</p>		<p>Date Manufactured:</p>		<p>Model No./Name:</p>	
<p>Seat Type:</p>		<p>Installation System:</p>			
<p>Child Seat Component Code:</p>		<p>Failed Part:</p>			
<b>APPLICABLE INCIDENT INFORMATION</b>					
(Please describe in detail the incident(s), failure(s), crash(es), and injury(es).)					
<p>Crash <input type="checkbox"/> Yes <input checked="" type="checkbox"/> No</p>	<p>Fatality <input type="checkbox"/> Yes <input checked="" type="checkbox"/> No</p>	<p>Number of Persons Injured</p>	<p>Number of Deaths</p>	<p>Reported to Police N</p>	
<p>Narrative Description of Incident(s), Crash(es), and Injury(es). Please describe (1) events leading up to the failure, (2) failure and its consequences, and (3) what was done to correct the failure, i.e. parts repaired or replaced (and if old part is available).</p>					
<p>DT: THE CONTACT STATED WHILE DRIVING AT 35 MPH ON NORMAL ROAD CONDITIONS A WARNING LIGHT ILLUMINATED. THE VEHICLE WAS TAKEN TO THE DEALER, WHERE A LEAK WAS OBSERVED IN THE GAS TANK. AFTER THIS INCIDENT, THE VEHICLE WAS TAKEN TO THE DEALER EIGHT TIMES. THE DEALER AGREED TO CONTINUE REPAIRING ANY PROBLEMS WITH THIS VEHICLE THAT RELATES TO THE GAS TANK</p>					
<p>Include, if available: Police/Fire Department Report, Photos, and Repair Invoice. <span style="float: right;">ATTACH ADDITIONAL SHEETS IF NECESSARY</span></p>					
<p>The Privacy Act of 1974 - Public Law 93-578 This information is requested pursuant to authority vested in the National Highway Traffic Safety Act and subsequent amendments. You are under no obligation to respond to this questionnaire. Your response may be used to assist the NHTSA in determining whether a Manufacturer should take appropriate action to correct a safety defect. If the NHTSA proceeds with administrative enforcement or litigation against a manufacturer, your response, or a statistical summary thereof, may be used in support of the agency's action.</p>					

Narrative Description of Incident(s), Failure(s), Crash(es), and Injury(ies)

THE SERVICE ENGINE LIGHT HAS COME UP 9 TIMES, THE VEHICLE HAS BEEN TAKEN TO THE DENERS SERVICE SHOP 9 TIMES AND THE PROBLEM HAS NOT BEEN CORRECTED. WHEN THEY SCAN THE VEHICLE THE COMPUTER READ A SMALL LEAK IN THE TANK.

ATTACH ADDITIONAL SHEETS IF NECESSARY

National Highway  
Traffic Safety  
Administration

400 North St., S.W.  
Washington, D.C. 20590

Business  
Reply Mail Private Use \$300

**BUSINESS REPLY MAIL**

FIRST CLASS PERMIT NO 73173 WASHINGTON, D.C.

POSTAGE WILL BE PAID BY NATL. HWY. TRAFFIC SAFETY ADMIN.

U.S. Department of Transportation  
National Highway Traffic Safety Administration  
Office of Defects Investigation, NVS-210

IF MAILED  
IN THE  
UNITED STATES



Think your vehicle  
has a safety defect?



1-800-4-A-SAFETY  
NHTSA Form 3010-108  
0303

# Autogermana BMW

EXCLUSIVE AUTHORIZED BMW DEALER FOR PUERTO RICO



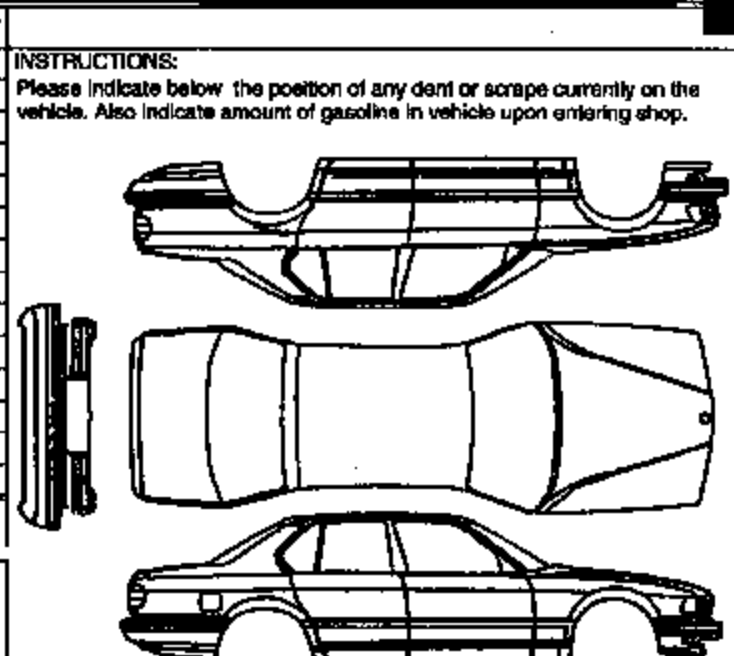
Office  
Urb. Ind. Tres Morillas, Edif. 360 C/ Calaf  
Esq. Cesar Glez., Hato Rey, PR 00919  
Phone (787) 474-7001 - Fax (787) 474-7034

Address  
P.O. Box 195406  
San Juan, Puerto Rico 00919-5406  
servicio@autogermana.com

DATE: 9/27/04 CUST.: \_\_\_\_\_ SERVICE ADVISOR: \_\_\_\_\_

CO. OR	YEAR	MAKE	MODEL	VIN	LICENS	RELEASE NO/UT	TAG
<u>Silver</u>	<u>7/01</u>	<u>325</u>				<u>20440</u>	

EQUIPMENT:	IN	OUT
Radio AM / FM	<input checked="" type="checkbox"/>	<input type="checkbox"/>
Cassette	<input type="checkbox"/>	<input checked="" type="checkbox"/>
Compact Disk	<input type="checkbox"/>	<input type="checkbox"/>
Cellular Phone	<input checked="" type="checkbox"/>	<input type="checkbox"/>
Battery	<input type="checkbox"/>	<input type="checkbox"/>
Tools	<input type="checkbox"/>	<input type="checkbox"/>
Spare Tire	<input checked="" type="checkbox"/>	<input checked="" type="checkbox"/>
Jack	<input checked="" type="checkbox"/>	<input checked="" type="checkbox"/>
Lighter	<input type="checkbox"/>	<input type="checkbox"/>
Broken Glass	<input checked="" type="checkbox"/>	<input type="checkbox"/>
Rear-View Mirrors	<input type="checkbox"/>	<input type="checkbox"/>
Wheels-Mag./Alum.	<input type="checkbox"/>	<input type="checkbox"/>
Hub Caps	<input checked="" type="checkbox"/>	<input checked="" type="checkbox"/>
Arrived in Tow Truck	<input checked="" type="checkbox"/>	<input type="checkbox"/>



Show damage location with codes:  
 X Stone damage    O Dents  
 Δ Scratches    # Body damage  
 Undercoating damage (explain in comments)

Fuel gauge

Other Notes:  
 = Ok  
 X = Missing or Not Working

Please Note: We are not responsible for any valuables left in the vehicle.

48 horas después de informarle que su vehículo está listo, se cobrará US \$16.00 por día por concepto de almacenamiento

### LABOR DESCRIPTION

\_\_\_\_\_ Cliente

Service engine soon

\_\_\_\_\_ Cliente

### EXCLUSION OF WARRANTIES

Any warranties on the parts and accessories sold hereby are made by the manufacturer. The undersigned purchaser understands and agrees that dealer makes no warranties of any kind, express or implied, and disclaims all warranties, including warranties of merchantability or fitness for a particular purpose, with regard to the parts and/or accessories purchased; and that in no event shall dealer be liable for incidental or consequential damages or commercial losses arising out of such purchase. The undersigned purchaser further agrees that the warranties excluded by dealer, include, but are not limited to any warranties that such parts and/or accessories are of merchantable quality or that they will enable any vehicle or any of its systems to perform with reasonable safety, efficiency, or comfort.

### AUTHORIZATION FOR REPAIRS

I hereby authorize the repair work herein set forth to be done along with the necessary material and agree that you are not responsible for loss or damage to vehicle or articles left in vehicle in case of fire, theft or any other cause beyond your control or for any delays caused by unavailability of parts or delay in parts shipments by the supplier or transporter. I hereby grant you and/or your employees permission to operate the vehicle herein described on streets, highways or elsewhere for the purpose of testing and/or inspection. An express mechanic's lien is hereby acknowledged on above vehicle to secure the amount of repairs hereto. The dealership is not responsible for damages from freezing due to lack of antifreeze.

I HEREBY ACKNOWLEDGE THAT I WAS NOTIFIED & GAVE ORAL APPROVAL OF

\_\_\_\_\_

CUSTOMER SIGNATURE

2

R.O.: 96751 TAG: T2754 LUIS MORALES FRANCESCHI 01 BMW 325I  
PROMISED: 11:54 24DEC SA: 7941 EMANUEL COLON  
STATUS: OPENED  
?

	UNIT LIST	UNIT NET PARTS\$	LABOR\$	EXTNDS
PROBLEM A C/I AUTO DA SENAL DE CHECK ENGINE ENGINE				(N/C)

21913  
POSIBLE TAPON SUELTO; O LE ECHARON GASOLINA CON EL SWICHT PUESTO.  
SE HIZO PRUEBA NO TIENE LIQUED.

PROBLEM B QUALITY CONTROL QUALITY CONTROL				(N/C)
---	--	--	--	-------

PROBLEM C C/I CANISTER DE P/S ENSUCIA MUCHO LA TAPA BODY EQUIPMENT				(N/C)
--	--	--	--	-------

21913  
SE VERIFICO NIVEL DE LIQUIDO ESTA OK.  
NOTA SE HUMEDESE UN POCO POR QUE ES EL RESPIRA

RO NUMBER 96751

UNIT LIST	UNIT NET PARTS\$	LABOR\$	EXTNDS
-----------	------------------	---------	--------

DERO.

LABOR TOTAL	0.00
PARTS TOTAL	0.00
LUBE TOTAL	0.00
SUBLET TOTAL	0.00
MISC TOTAL	0.00
SHOP CHARGES	0.00
DEDUCTIBLE	0.00
SUB TOTAL	0.00
TAX	0.00
** TOTAL **	0.00

PRESS RETURN TO CONTINUE



4

# Autogermana BMW

EXCLUSIVE AUTHORIZED BMW DEALER FOR PUERTO RICO

Office  
Urb. Ind. Tres Monjitas, Edif. 350 C/ Calaf  
Esq. Cesar Glez., Hato Rey, PR 00919  
Phone (787) 474-7001 - Fax (787) 474-7034

Address  
P.O. Box 195406  
San Juan, Puerto Rico 00919-5406  
servicio@autogermana.com



DATE: 25/08/05

CUST.: \_\_\_\_\_

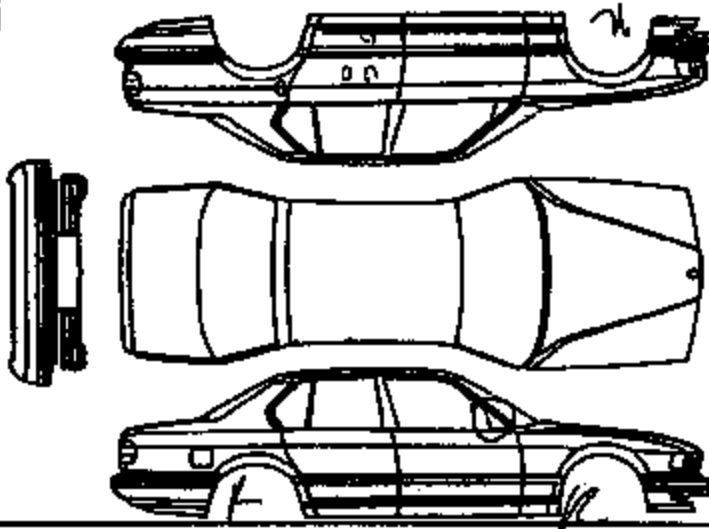
SERVICE ADVISOR: JUAN

COLOR	YEAR	MAKE / MODEL	VIN	LICENSE	MILEAGE INCL.	TAG
Gris	02/01	325			26851	

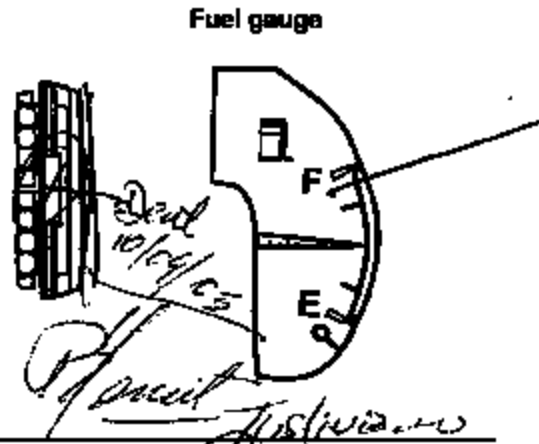
EQUIPMENT:	IN	OUT
Radio AM / FM	—	—
Cassette	—	—
Compact Disk	—	—
Cellular Phone	—	—
Battery	—	—
Tools	—	—
Spare Tire	—	—
Jack	—	—
Lighter	—	—
Broken Glass	—	—
Rear-View Mirror	—	—
Wheels-Msg./Alum.	—	—
Hub Caps	—	—
Arrived In Tow	—	—
Trunk	—	—

Other Notes:  
✓ = Ok  
X = Missing or Not Working

INSTRUCTIONS:  
Please indicate below the position of any dent or scrape currently on the vehicle. Also indicate amount of gasoline in vehicle upon entering shop.



Show damage location with codes:  
 X Stone damage    O Dents  
 Δ Scratches       ■ Body damage  
 Undercoating damage (explain in comments)



Please Note: We are not responsible for any valuables left in the vehicle. *Genovet*  
 48 horas después de informarle que su vehículo está listo, se cobrará US \$15.00 por día por concepto de almacenamiento

### LABOR DESCRIPTION

Ciente \_\_\_\_\_

Ciente \_\_\_\_\_

### EXCLUSION OF WARRANTIES

Any warranties on the parts and accessories sold hereby are made by the manufacturer. The undersigned purchaser understands and agrees that dealer makes no warranties of any kind, express or implied, and disclaims all warranties, including warranties of merchantability or fitness for a particular purpose, with regard to the parts and/or accessories purchased; and that in no event shall dealer be liable for incidental or consequential damages or commercial losses arising out of such purchase. The undersigned purchaser further agrees that the warranties excluded by dealer, include, but are not limited to any warranties that such parts and/or accessories are of merchantable quality or that they will enable any vehicle or any of its systems to perform with reasonable safety, efficiency, or comfort.

### AUTHORIZATION FOR REPAIRS

I hereby authorize the repair work herein set forth to be done along with the necessary material and agree that you are not responsible for loss or damage to vehicle or articles left in vehicle in case of fire, theft or any other cause beyond your control or for any delays caused by unavailability of parts or delay in parts shipments by the supplier or transporter. I hereby grant you and/or your employees permission to operate the vehicle herein described on streets, highways or elsewhere for the purpose of testing and/or inspection. An express mechanic's lien is hereby acknowledged on above vehicle to secure the amount or repairs hereto. The dealership is not responsible for damages from freezing due to lack of antifreeze.

I HEREBY ACKNOWLEDGE THAT \_\_\_\_\_ GAVE ORAL APPROVAL OF THE ABOVE REVISED ESTIMATE

CUSTOMER SIGNATURE

# Autogermana BMW

EXCLUSIVE AUTHORIZED BMW DEALER FOR PUERTO RICO



Office  
Urb. Ind. Tree Monjitas, Edif. 350 C/ Calif  
Esp. Cesar Glez., Hato Rey, PR 00919

Address  
P.O. Box 185406  
San Juan, Puerto Rico 00918-5406  
servicio@autogermana.com

(5)

9/21/05

DATE: 9/21/05 CUST.: [REDACTED] SERVICE ADVISOR: Mig. Ross

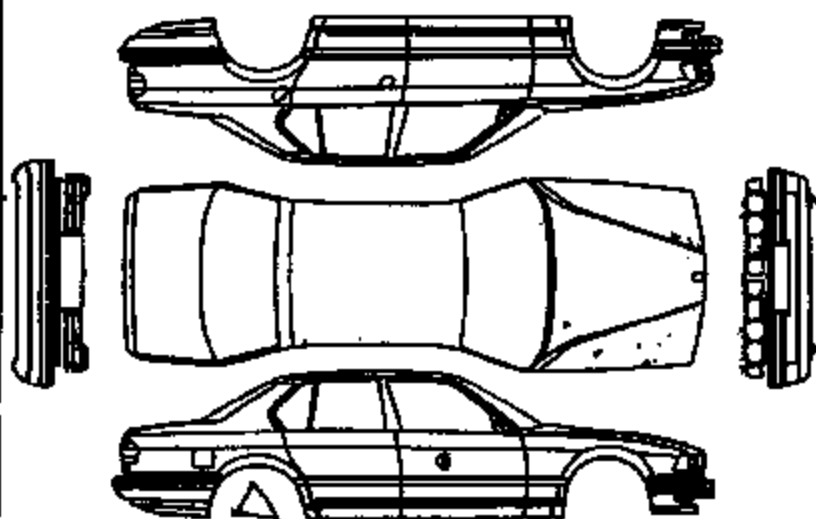
COLOR: Gray YEAR: 01 MAKE: BMW MODEL: 325 VIN: [REDACTED] LICENSE: 26126

EQUIPMENT:	IN	OUT
Radio AM / FM	<input checked="" type="checkbox"/>	<input type="checkbox"/>
Cassette	<input checked="" type="checkbox"/>	<input type="checkbox"/>
Compact Disk	<input type="checkbox"/>	<input type="checkbox"/>
Cellular Phone	<input type="checkbox"/>	<input type="checkbox"/>
Battery	<input checked="" type="checkbox"/>	<input type="checkbox"/>
Tools	<input checked="" type="checkbox"/>	<input type="checkbox"/>
Spare Tire	<input checked="" type="checkbox"/>	<input type="checkbox"/>
Jack	<input checked="" type="checkbox"/>	<input type="checkbox"/>
Lighter	<input checked="" type="checkbox"/>	<input type="checkbox"/>
Broken Glass	<input type="checkbox"/>	<input type="checkbox"/>
Rear-View Mirrors	<input checked="" type="checkbox"/>	<input type="checkbox"/>
Wheels-Mag./Alum.	<input checked="" type="checkbox"/>	<input type="checkbox"/>
Hub Caps	<input checked="" type="checkbox"/>	<input type="checkbox"/>
Arrived In Tow Truck	<input type="checkbox"/>	<input type="checkbox"/>
Other Notes:		
<input checked="" type="checkbox"/> = OK		
<input type="checkbox"/> = Missing or Not Working		

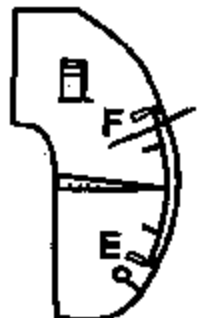
### INSTRUCTIONS:

Please indicate below the position of any dent or scrape currently on the vehicle. Also indicate amount of gasoline in vehicle upon entering shop.

Show damage location with codes:  
X Stone damage    O Dents  
△ Scratches       ■ Body damage  
Undercoating damage (explain in comments)



### Fuel gauge



Please Note: We are not responsible for any valuables left in the vehicle.

48 horas después de informarle que su vehículo está listo, se cobrará US \$15.00 por día por concepto de almacenamiento

### LABOR DESCRIPTION

\* Service Engine Soon Solamente \*

- C/I INCLINADA EN LEGS DERECHO

N.C.R

### EXCLUSION OF WARRANTIES

Any warranties on the parts and accessories sold hereby are made by the manufacturer. The undersigned purchaser understands and agrees that dealer makes no warranties of any kind, express or implied, and disclaims all warranties, including warranties of merchantability or fitness for a particular purpose, with regard to the parts and/or accessories purchased; and that in no event shall dealer be liable for incidental or consequential damages or commercial losses arising out of such purchase. The undersigned purchaser further agrees that the warranties excluded by dealer, include, but are not limited to any warranties that such parts and/or accessories are of merchantable quality or that they will enable any vehicle or any of its systems to perform with reasonable safety, efficiency, or comfort.

### AUTHORIZATION FOR REPAIRS

I hereby authorize the repair work herein set forth to be done along with the necessary material and agree that you are not responsible for loss or damage to vehicle or articles left in vehicle in case of fire, theft or any other cause beyond your control or for any delays caused by unavailability of parts or delay in parts shipments by the supplier or transporter. I hereby grant you and/or your employees permission to operate the vehicle herein described on streets, highways or elsewhere for the purpose of testing and/or inspection. An express mechanic's lien is hereby acknowledged on above vehicle to secure the amount of repairs heretofore. The dealership is not responsible for damages from freezing due to lack of antifreeze.

I HEREBY ACKNOWLEDGE THAT I WAS NOTIFIED AND GAVE ORAL APPROVAL OF

[REDACTED]

CUSTOMER SIGNATURE





7

# Autogermana BMW

EXCLUSIVE AUTHORIZED BMW DEALER FOR PUERTO RICO



Office  
Urb. Ind. Tres Monjillas, Edif. 350 C/ Calaf  
Esq. Cesar Glez., Hato Rey, PR 00919  
Phone (787) 474-7001 - Fax (787) 474-7034

Address  
P.O. Box 195406  
San Juan, Puerto Rico 00919-5406  
servicio@autogermana.com

DATE: 15/12/05

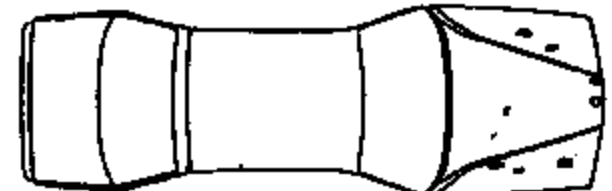
CUST.:

SERVICE ADVISOR: MALAVE

COLOR	YEAR	MAKE / MODEL	VIN	LICENSE	MILEAGE IN/OUT	TAG
Silver	'01	325 Touring			28501	

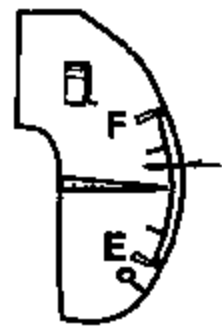
EQUIPMENT:	IN	OUT
Radio AM / FM		
Cassettes		
Compact Disk		
Cellular Phone		
Battery		
Tools		
Spare Tire		
Jack		
Lighter		
Broken Glass		
Rear-View Mirror		
Wheels-Mag./Alum.		
Hub Caps		
Arrived in Tow Truck		

INSTRUCTIONS:  
Please indicate below the position of any dent or scrape currently on the vehicle. Also indicate amount of gasoline in vehicle upon entering shop.



Show damage location with codes:  
X Stone damage    O Dents  
△ Scratches       # Body damage  
Undercoating damage (explain in comments)

Fuel gauge



Please Note: We are not responsible for any valuables left in the vehicle.

48 horas después de informarle que su vehículo está listo, se cobrará US \$15.00 por día por concepto de almacenamiento

### LABOR DESCRIPTION

(1) Auto de trial de Mexico según nota

(2) Q.C.

(3) Se acuerdo con DADO se recibió el auto hoy 12/15/2005 se programó transporte a altura desde el primer día y se trabajó solo los fallas mencionados a la lista según copia del diagnóstico adjunto.

### EXCLUSION OF WARRANTIES

Any warranties on the parts and accessories sold hereby are made by the manufacturer. The undersigned purchaser understands and agrees that dealer makes no warranties of any kind, express or implied, and disclaims all warranties, including warranties of merchantability or fitness for a particular purpose, with regard to the parts and/or accessories purchased; and that in no event shall dealer be liable for incidental or consequential damages or commercial losses arising out of such purchase. The undersigned purchaser further agrees that the warranties excluded by dealer, include, but are not limited to any warranties that such parts and/or accessories are of merchantable quality or that they will enable any vehicle or any of its systems to perform with reasonable safety, efficiency, or comfort.

### AUTHORIZATION FOR REPAIRS

I hereby authorize the repair work herein set forth to be done along with the necessary material and agree that you are not responsible for loss or damage to vehicle or articles left in vehicle in case of fire, theft or any other cause beyond your control or for any delays caused by unavailability of parts or delay in parts shipments by the supplier or transporter. I hereby grant you and/or your employees permission to operate the vehicle herein described on streets, highways or elsewhere for the purpose of testing and/or inspection. An express mechanic's lien is hereby acknowledged on above vehicle to secure the amount of repairs hereto. The dealership is not responsible for damage from freezing due to lack of antifreeze.

I HEREBY ACKNOWLEDGE THAT I WAS NOTIFIED AND GAVE ORAL APPROVAL OF

[Redacted Signature]

CUSTOMER SIGNATURE

# Diagnosis Control unit functions

## Control modules

x DME Motor Electronics MS4B

## Functions

Identification  
 Identification, abbreviated  
 Read fault memory  
 Clear fault memory  
 Component activation  
 Diagnosis queries (all)  
 Engine operating values

## Fault summary

(143) 8F Tank-leak diagnosis with DMTL

## Messages and results

(143) 8F Tank-leak diagnosis with DMTL

Minimal leak (P0456 or P0442)

Fault is relevant to exhaust gas

Fault filtered

Fault currently present

static fault

minimum pump current, reference-leak measurement

22.0

mA

Fill level

28.0

L

# Diagnosis Control unit functions

## Control modules

x DME Meter Electronics MS4B

## Functions

- Identification
- Identification, abbreviated
- Read fault memory
- Clear fault memory
- Component activation
- Diagnosis queries (all)
- Engine operating values

## Fault summary

(149) 8F Tank-leak diagnosis with Di

## Messages and results

Fault filtered		
Fault currently present		
static fault		
minimum pump current, reference-leak measurement	22.0	mA
Fill level	28.0	L
minimum pump current during major-leak measurement	15.7	mA
corrected and filtered pump current	22.0	mA
Operating hours	13.5	h
Fault frequency	1	

8

# Autogermana BMW

EXCLUSIVE AUTHORIZED BMW DEALER FOR PUERTO RICO

Office  
Urb. Ind. Tres Monjitas, Edif. 350 C/ Catal  
Esq. Cesar Glez., Hato Rey, PR 00918  
Tel. (787) 747-7034

Address  
P.O. Box 195406  
San Juan, Puerto Rico 00919-5406  
servicio@autogermana.com

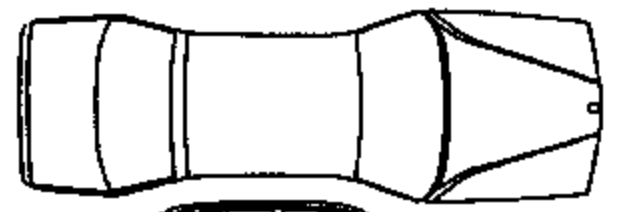


DATE: 1-17-06 CUST: [redacted] SERVICE ADVISOR: Juan

COLOR: [redacted] YEAR: [redacted] MAKE/MODEL: Mercedes VIN: [redacted] LICENSE: 28740 MILEAGE IN/CUT: [redacted] TAG: [redacted]

EQUIPMENT:	IN	OUT
Radio AM / FM	<input checked="" type="checkbox"/>	<input checked="" type="checkbox"/>
Cassette	<input checked="" type="checkbox"/>	<input checked="" type="checkbox"/>
Compact Disk	<input checked="" type="checkbox"/>	<input checked="" type="checkbox"/>
Cellular Phone	<input checked="" type="checkbox"/>	<input checked="" type="checkbox"/>
Battery	<input checked="" type="checkbox"/>	<input checked="" type="checkbox"/>
Tools	<input checked="" type="checkbox"/>	<input checked="" type="checkbox"/>
Spare Tire	<input checked="" type="checkbox"/>	<input checked="" type="checkbox"/>
Jack	<input checked="" type="checkbox"/>	<input checked="" type="checkbox"/>
Lighter	<input checked="" type="checkbox"/>	<input checked="" type="checkbox"/>
Broken Glass	<input checked="" type="checkbox"/>	<input checked="" type="checkbox"/>
Rear-View Mirror	<input checked="" type="checkbox"/>	<input checked="" type="checkbox"/>
Wheels-Nag./Alum.	<input checked="" type="checkbox"/>	<input checked="" type="checkbox"/>
Hub Caps	<input checked="" type="checkbox"/>	<input checked="" type="checkbox"/>
Arrived in Tow Truck	<input checked="" type="checkbox"/>	<input checked="" type="checkbox"/>

INSTRUCTIONS:  
Please indicate below the position of any dent or scrape currently on the vehicle. Also indicate amount of gasoline in vehicle upon entering shop.



Show damage location with codes:  
X Stone damage    O Dents  
△ Scratches       ■ Body damage  
Undercoating damage (explain in comments)

Fuel gauge



Other Notes:  
✓ = Ok  
X = Missing or Not Working

**Please Note: We are not responsible for any valuables left in the vehicle.**

48 horas después de informarle que su vehículo está listo, se cobrará US \$15.00 por día por concepto de almacenamiento

### LABOR DESCRIPTION

Clients

check engine

Clients

### EXCLUSION OF WARRANTIES

Any warranties on the parts and accessories sold hereby are made by the manufacturer. The undersigned purchaser understands and agrees that dealer makes no warranties of any kind, express or implied, and disclaims all warranties, including warranties of merchantability or fitness for a particular purpose, with regard to the parts and/or accessories purchased; and that in no event shall dealer be liable for incidental or consequential damages or commercial losses arising out of such purchase. The undersigned purchaser further agrees that the warranties excluded by dealer, include, but are not limited to any warranties that such parts and/or accessories are of merchantable quality or that they will enable any vehicle or any of its systems to perform with reasonable safety, efficiency, or comfort.

### AUTHORIZATION FOR REPAIRS

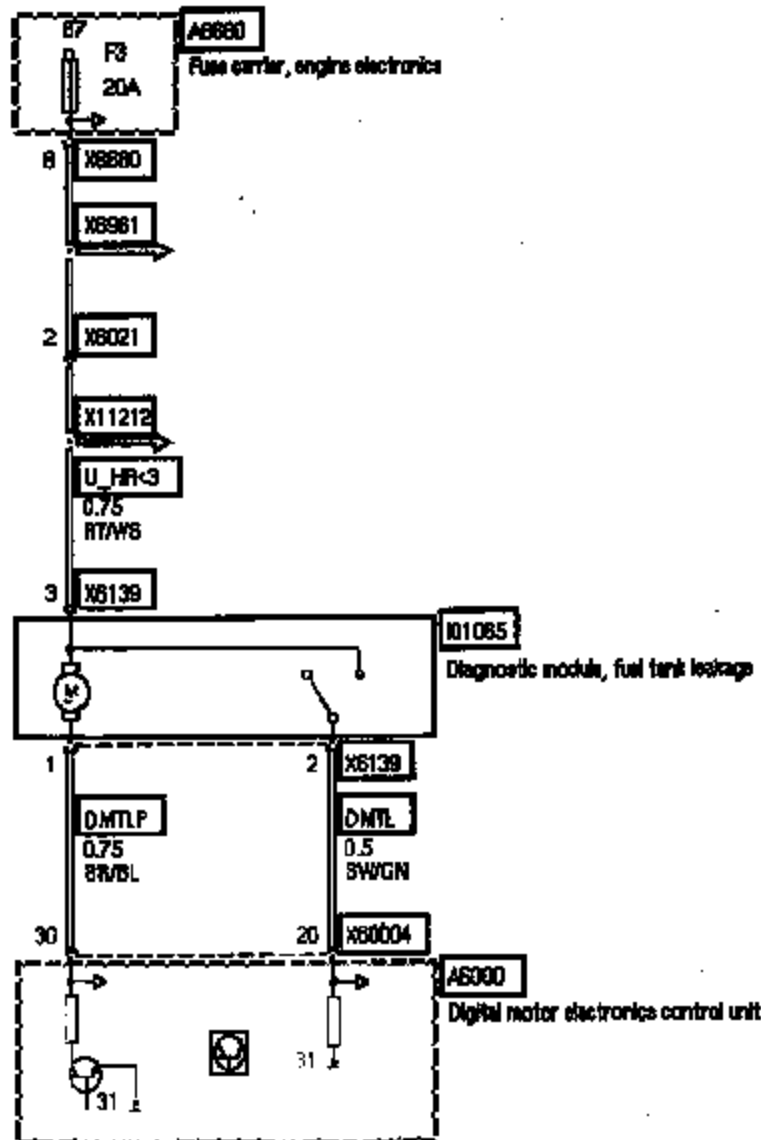
I hereby authorize the repair work herein set forth to be done along with the necessary material and agree that you are not responsible for loss or damage to vehicle or articles left in vehicle in case of fire, theft or any other cause beyond your control or for any delays caused by unavailability of parts or delay in parts shipments by the supplier or transporter. I hereby grant you and/or your employees permission to operate the vehicle herein described on streets, highways or elsewhere for the purpose of testing and/or inspection. An express mechanic's lien is hereby acknowledged on above vehicle to secure the amount or repairs hereto. The dealership is not responsible for damages from freezing due to lack of antifreeze.

I HEREBY ACKNOWLEDGE THAT I WAS NOTIFIED & GAVE ORAL APPROVAL OF THE ABOVE

[Redacted signature area]

# Diagnosis Test information

## Diagnostic module, fuel tank leakage



## Diagnostic module for tank leakage (DMTLP)

### Requirement:

Regardless of the pollutants created by the combustion within the engine, a vehicle will emit considerable amounts of unburned hydrocarbons. These hydrocarbon emissions can stem from leaks in the fuel system, but may also be due to exhaustive storage capacity of the carbon canister (carbon canister becomes permeable).

For this reason, an OBD II requirement concerns the fuel system and the fuel tank ventilation system. The maximum permissible level of escaping fuel fumes has been determined anew. Moreover, leaks larger than 0.5 mm in the fuel and fuel tank breather system must be recognized by the DME.

To this end, the following measures have been implemented:

Fuel supply to the injection will be the fuel filter with integrated pressure

### B1214 MS4sDMTLP / Functional check

**Function test of fuel tank leakage diagnostic module not possible:  
Minor leak detected.**

# Diagnosis Control unit functions

## Control modules

z DME Motor Electronics MS4S

## Functions

Read test code  
Identification  
Identification, abbreviated  
**Read fault memory**  
Clear fault memory  
Component activation  
Diagnosis queries (all)  
Engine operating values

## Fault summary

(143) 8F Tank-leak diagnosis with DMTL

## Messages and results

(143) 8F Tank-leak diagnosis with DMTL  
--  
Minimal leak (P0456 or P0442)  
Fault is relevant to exhaust gas  
Fault filtered  
Fault currently present  
static fault

_ast stat: minimum pump current, reference leak measurement	23.5	mA
_ast stat: fill level	26.0	

9

# Autogermana BMW

EXCLUSIVE AUTHORIZED BMW DEALER FOR PUERTO RICO

Office  
Urb. Ind. Tres Monjitas, Edif. 350 C/ Calaf  
Esq. Cesar Glaz., Hato Rey, PR 00919  
Phone (787) 474-7001 - Fax (787) 474-7034

Address  
P.O. Box 195406  
San Juan, Puerto Rico 00919-5406  
servicio@autogermana.com



DATE: 2/20/06

CUST.: \_\_\_\_\_

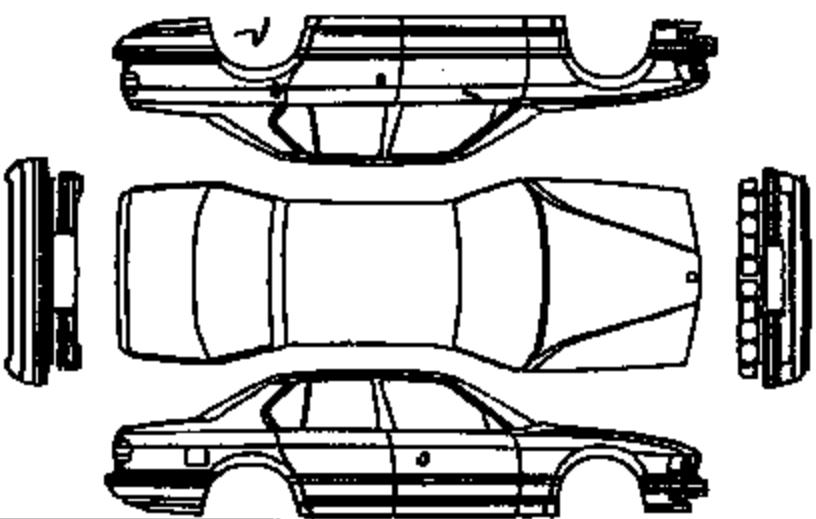
SERVICE ADVISOR: Rosa Torres

COLOR	YEAR	MAKE / MODEL	VIN	LICENSE	EXPIRES	TAX
<u>Cvi's</u>	<u>07/01</u>	<u>325</u>	[REDACTED]	[REDACTED]	<u>25223</u>	[REDACTED]

EQUIPMENT:	IN	OUT
Radio AM / FM	<input checked="" type="checkbox"/>	<input type="checkbox"/>
Cassette	<input checked="" type="checkbox"/>	<input type="checkbox"/>
Compact Disk	<input checked="" type="checkbox"/>	<input type="checkbox"/>
Cellular Phone	<input checked="" type="checkbox"/>	<input type="checkbox"/>
Battery	<input checked="" type="checkbox"/>	<input type="checkbox"/>
Tools	<input checked="" type="checkbox"/>	<input type="checkbox"/>
Spare Tire	<input checked="" type="checkbox"/>	<input type="checkbox"/>
Jack	<input checked="" type="checkbox"/>	<input type="checkbox"/>
Lighter	<input checked="" type="checkbox"/>	<input type="checkbox"/>
Broken Glass	<input checked="" type="checkbox"/>	<input type="checkbox"/>
Rear-View Mirrors	<input checked="" type="checkbox"/>	<input type="checkbox"/>
Wheels-Mag./Alum.	<input checked="" type="checkbox"/>	<input type="checkbox"/>
Hub Caps	<input checked="" type="checkbox"/>	<input type="checkbox"/>
Arrived in Tow Truck	<input checked="" type="checkbox"/>	<input type="checkbox"/>

Other Notes:  
 = Ok  
 = Missing or Not Working

INSTRUCTIONS:  
Please indicate below the position of any dent or scrape currently on the vehicle. Also indicate amount of gasoline in vehicle upon entering shop.



Show damage location with codes:  
 X Stone damage    O Dent  
 Δ Scratches       # Body damage  
 Undercoating damage (explain in comments)



**Please Note: We are not responsible for any valuables left in the vehicle.**

48 horas después de informarle que su vehículo está listo, se cobrará US \$15.00 por día por concepto de almacenamiento

### LABOR DESCRIPTION

Ciente

[REDACTED]

Ciente

### EXCLUSION OF WARRANTIES

Any warranties on the parts and accessories sold hereby are made by the manufacturer. The undersigned purchaser understands and agrees that dealer makes no warranty of any kind, express or implied, and disclaims all warranties, including warranties of merchantability or fitness for a particular purpose, with regard to the parts and/or accessories purchased; and that in no event shall dealer be liable for incidental or consequential damages or commercial losses arising out of such purchase. The undersigned purchaser further agrees that the warranties excluded by dealer, include, but are not limited to any warranties that such parts and/or accessories are of merchantable quality or that they will enable any vehicle or any of its systems to perform with reasonable safety, efficiency, or comfort.

### AUTHORIZATION FOR REPAIRS

I hereby authorize the repair work herein set forth to be done along with the necessary material and agree that you are not responsible for loss or damage to vehicle or articles left in vehicle in case of fire, theft or any other cause beyond your control or for any delays caused by unavailability of parts or delay in parts shipments by the supplier or transporter. I hereby grant you and/or your employees permission to operate the vehicle herein described on streets, highways or elsewhere for the purpose of testing and/or inspection. An express mechanic's lien is hereby acknowledged on above vehicle to secure the amount of repairs hereto. The dealership is not responsible for damages from freezing due to lack of antifreeze.

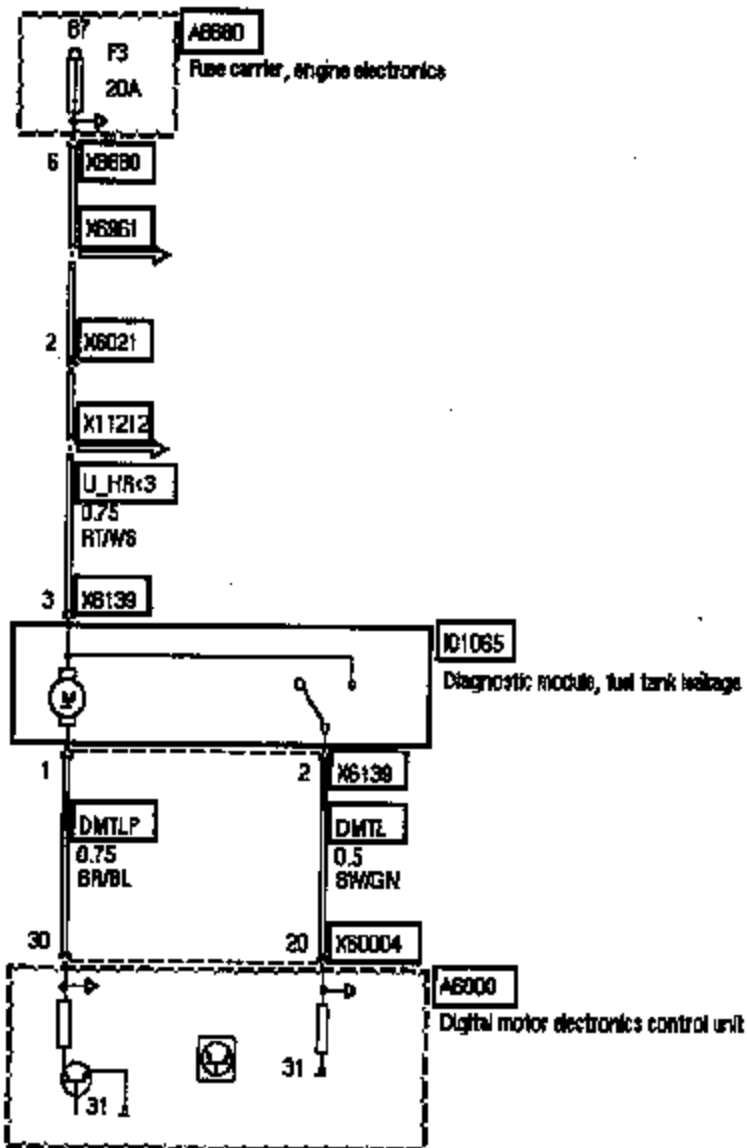
I HEREBY ACKNOWLEDGE THAT I WAS NOTIFIED & GAVE ORAL APPROVAL OF THE ABOVE REVISED ESTIMATES:

X

CUSTOMER SIGNATURE

# Diagnosis Test Information

## Diagnostic module, fuel tank leakage



## Diagnosis module for tank leakage (DMTL)

### Requirement

Regardless of the pollutants created by the combustion within the engine, a vehicle will emit considerable amounts of unburned hydrocarbons. These hydrocarbon emissions can stem from leaks in the fuel system, but may also be due to exhaustive storage capacity of the carbon canister (carbon canister becomes permeable).

For this reason, an OBD II requirement concerns the fuel system and the fuel tank ventilation system. The maximum permissible level of escaping fuel fumes has been determined anew. Moreover, leaks larger than 0.5 mm in the fuel and fuel tank breather system must be recognized by the DME.

To this end, the following measures have been implemented:

Fuel supply to the injection will via the fuel filter with integrated pressure sensor B1214 MS43DMTL / Functional check

**Function test of fuel tank leakage diagnostic module not possible:  
Minor leak detected.**

# Diagnosis Control unit functions

## Control modules

x DME Motor Electronics MS43
------------------------------

## Functions

Identification
Identification, abbreviated
Read fault memory
Clear fault memory
Component activation
Diagnosis queries (all)
Engine operating values

## Fault summary

(143) 8F Tank-leak diagnosis with DMTL
--

## Messages and results

(143) 8F Tank-leak diagnosis with DMTL		
--		
Minimal leak (P0456 or P0442)		
Fault is relevant to exhaust gas		
Fault filtered		
Fault currently present		
static fault		
minimum pump current, reference-leak measurement	23.5	mA
Fill level	23.0	L

# Diagnosis Control unit functions

## Control modules

x DME Meter Electronics MS48
------------------------------

## Functions

Identification Identification, abbreviated Read fault memory Clear fault memory Component activation Diagnosis queries (all) Engine operating values
--

## Fault summary

(145) GF Tank-leak diagnosis with Di
--------------------------------------

## Messages and results

Fault filtered		
Fault currently present		
static fault		
minimum pump current, reference-leak measurement	23.5	mA
Fill level	23.0	L
minimum pump current during major-leak measurement	15.7	mA
corrected and filtered pump current	23.5	mA
Operating hours	7.0	h
Fault frequency	1	

**THE ATTACHMENTS TO THIS  
DOCUMENT HAVE BEEN REMOVED  
TO PROTECT UNWARRANTED  
INVASION OF PERSONAL PRIVACY  
PURSUANT TO EXEMPTION 6 OF  
THE FREEDOM OF INFORMATION  
ACT (FOIA), 5 U.S.C. 552(b)(6).**